



US00D597845S

(12) **United States Design Patent**
Brady

(10) **Patent No.:** **US D597,845 S**

(45) **Date of Patent:** **** Aug. 11, 2009**

(54) **BOTTLE**

(75) Inventor: **Daniel Brady**, London (GB)

(73) Assignee: **Reckitt Benckiser (UK) Limited**,
Slough, Berkshire (GB)

(**) Term: **14 Years**

(21) Appl. No.: **29/297,866**

(22) Filed: **Nov. 20, 2007**

(30) **Foreign Application Priority Data**

May 25, 2007 (EM) 000729603-0001

(51) **LOC (9) Cl.** **09-01**

(52) **U.S. Cl.** **D9/541; D9/543; D9/564;**
D9/567; D9/572; D9/575

(58) **Field of Classification Search** D9/500,
D9/516, 519, 521–522, 524, 529–530, 537–543,
D9/544–547, 549, 551–554, 556–557, 559–561,
D9/564–565, 567, 571–575, 682–694, 452,
D9/454; 215/382–384

See application file for complete search history.

(56) **References Cited**

U.S. PATENT DOCUMENTS

D61,829 S *	1/1923	Javal	D9/544
D67,625 S *	6/1925	Terry	D9/544
D70,116 S *	5/1926	Jaroslawski	D9/521
D75,852 S *	7/1928	LeLong	D9/542
D89,223 S *	2/1933	Straub et al.	D9/573
D94,250 S *	1/1935	Twiggs	D9/544
D107,688 S *	12/1937	Lloyd	D9/567
D158,380 S *	5/1950	Heflter-Louiche	D9/544
D164,784 S *	10/1951	Lipton	D7/417
D241,517 S *	9/1976	Koenigsberg	D9/573
D244,579 S *	6/1977	Dinand	D9/563
D299,429 S *	1/1989	Dinand	D9/566
D338,154 S *	8/1993	Breneman et al.	D9/667
6,095,705 A *	8/2000	Phillips	401/6
D471,816 S *	3/2003	Garcia	D9/516

D484,790 S *	1/2004	Sgariboldi	D9/694
D489,006 S *	4/2004	Guerrero Vallejo	D9/529
6,945,428 B2 *	9/2005	Shimizu et al.	222/105
D528,429 S *	9/2006	Bartel	D9/567
D537,725 S *	3/2007	Varlet	D9/544
D553,004 S *	10/2007	Krakoff	D9/694
D574,257 S *	8/2008	Zeidan	D9/694
D576,052 S *	9/2008	Lloyd et al.	D9/564 X
D587,596 S *	3/2009	Lloyd	D9/567 X

* cited by examiner

Primary Examiner—Carol Rademaker

(57) **CLAIM**

The ornamental design for a bottle, as shown and described.

DESCRIPTION

FIG. 1 is a top, front, and right side perspective view of a first embodiment of my bottle;

FIG. 2 is a front elevational view thereof;

FIG. 3 is a rear elevational view thereof;

FIG. 4 is a right side elevational view thereof, the left side elevational view being a mirror image except for the threads;

FIG. 5 is a top plan view thereof;

FIG. 6 is a bottom plan view thereof;

FIG. 7 is a top, front, and right side perspective view of a second embodiment of my bottle;

FIG. 8 is a front elevational view thereof;

FIG. 9 is a rear elevational view thereof;

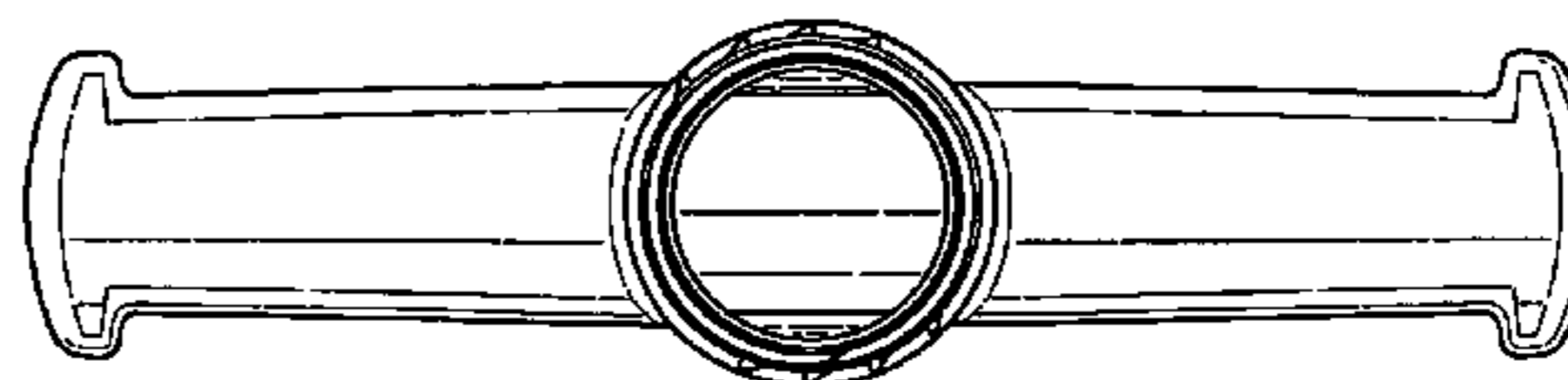
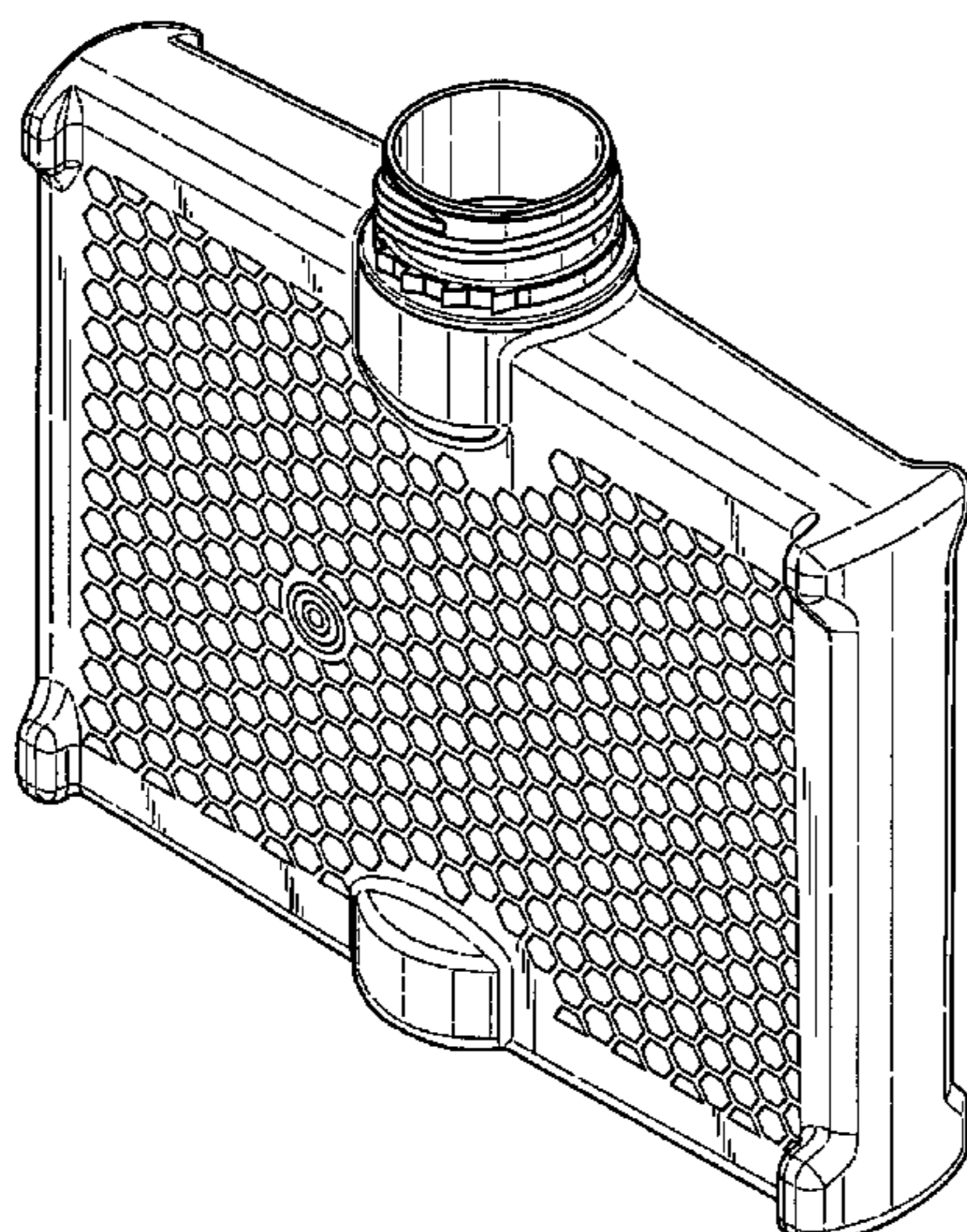
FIG. 10 is a right side elevational view thereof, the left side elevational view being a mirror image except for the threads;

FIG. 11 is a top plan view thereof; and,

FIG. 12 is a bottom plan view thereof.

The broken lines shown in the drawings are included for the purpose of showing environmental structure that forms no part of the claimed design.

1 Claim, 10 Drawing Sheets



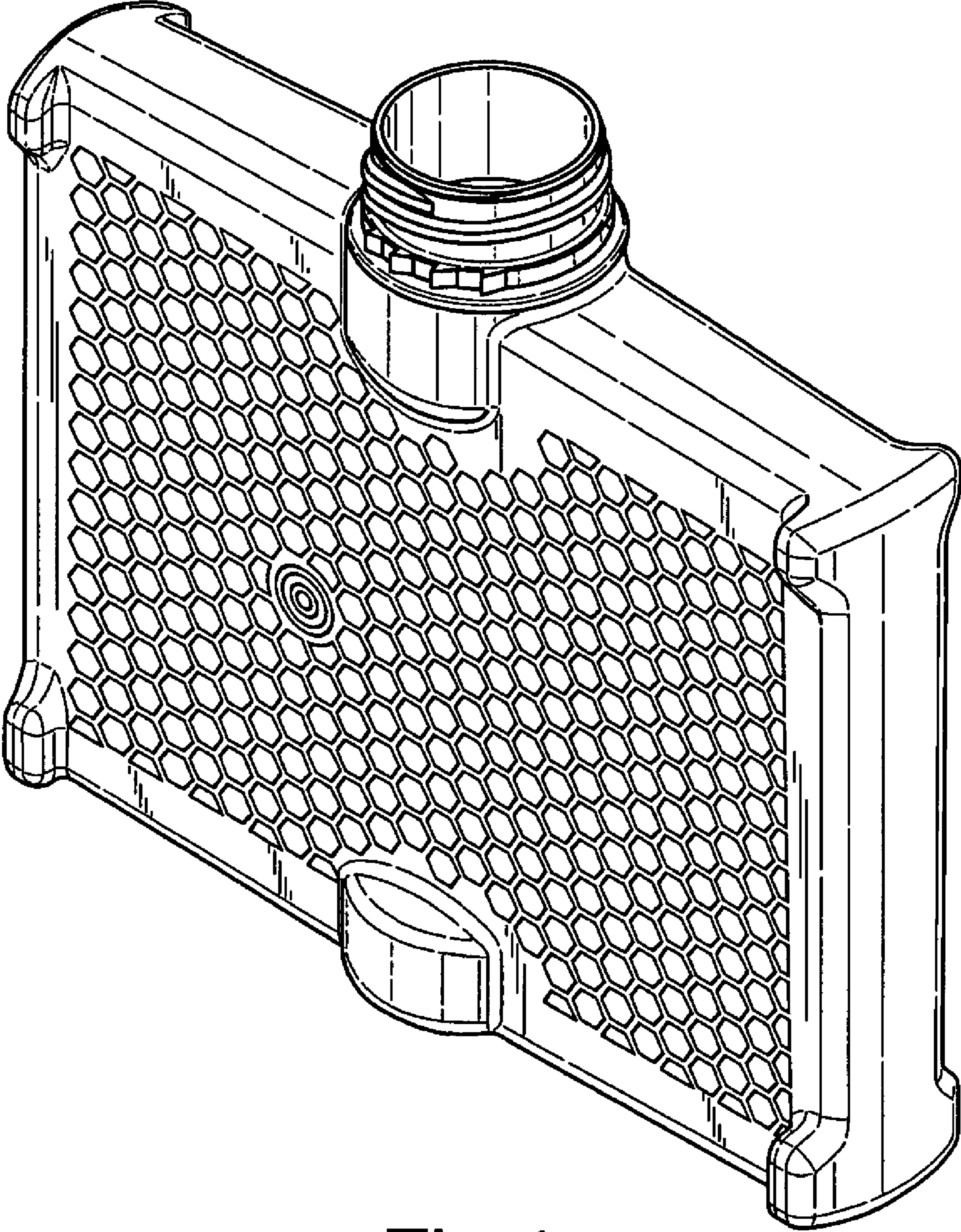


Fig. 1.

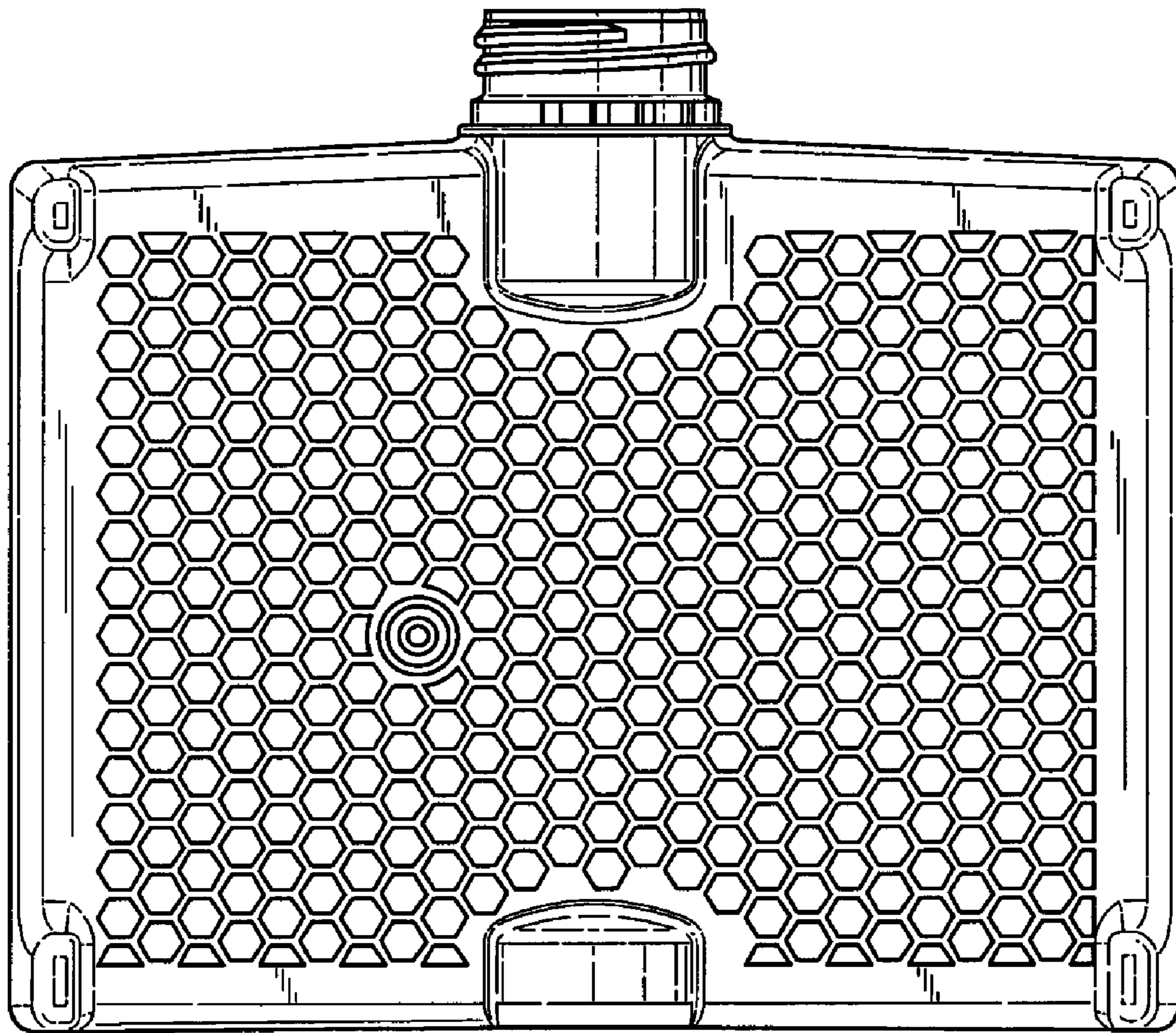


Fig.2.

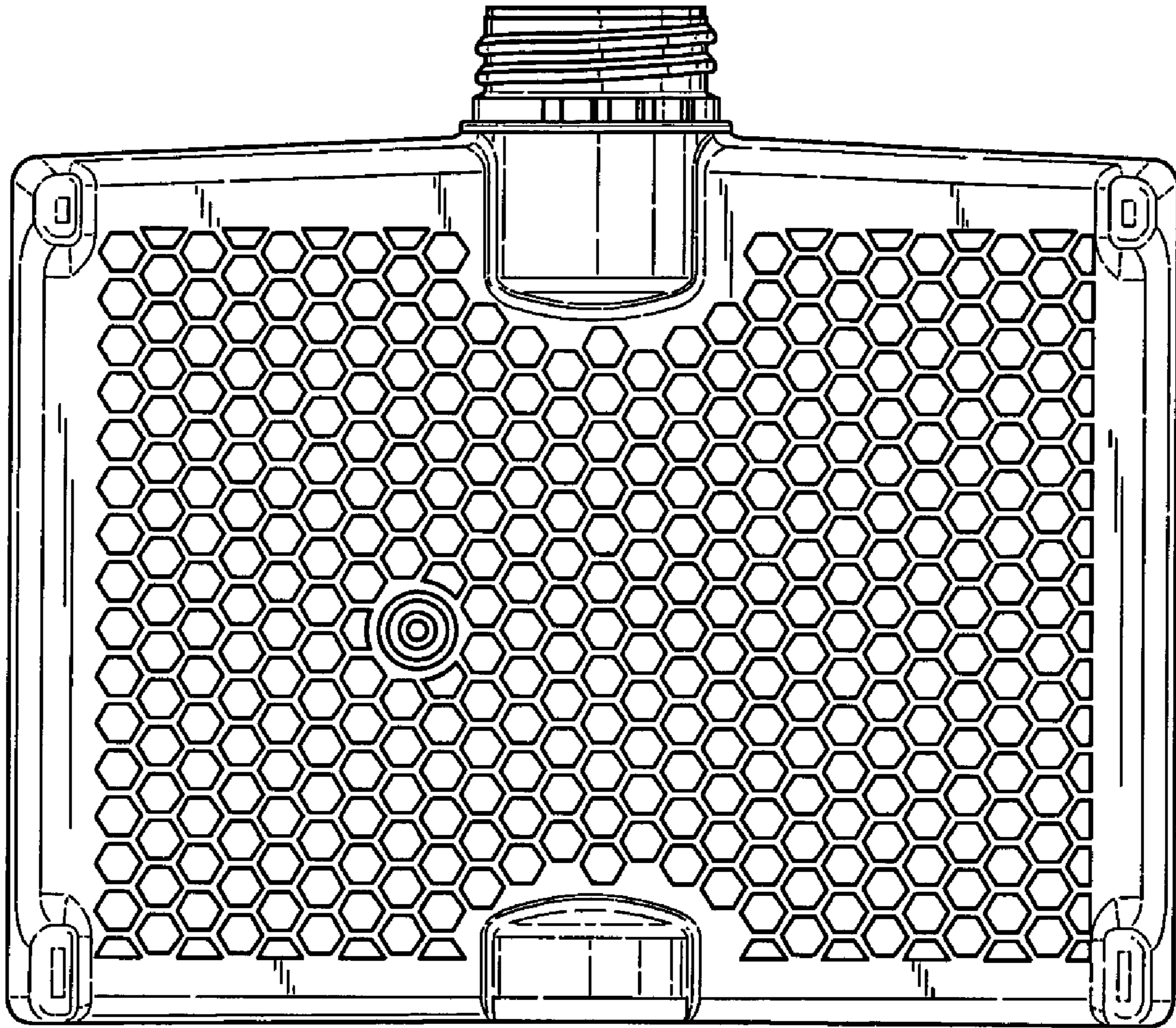


Fig.3.

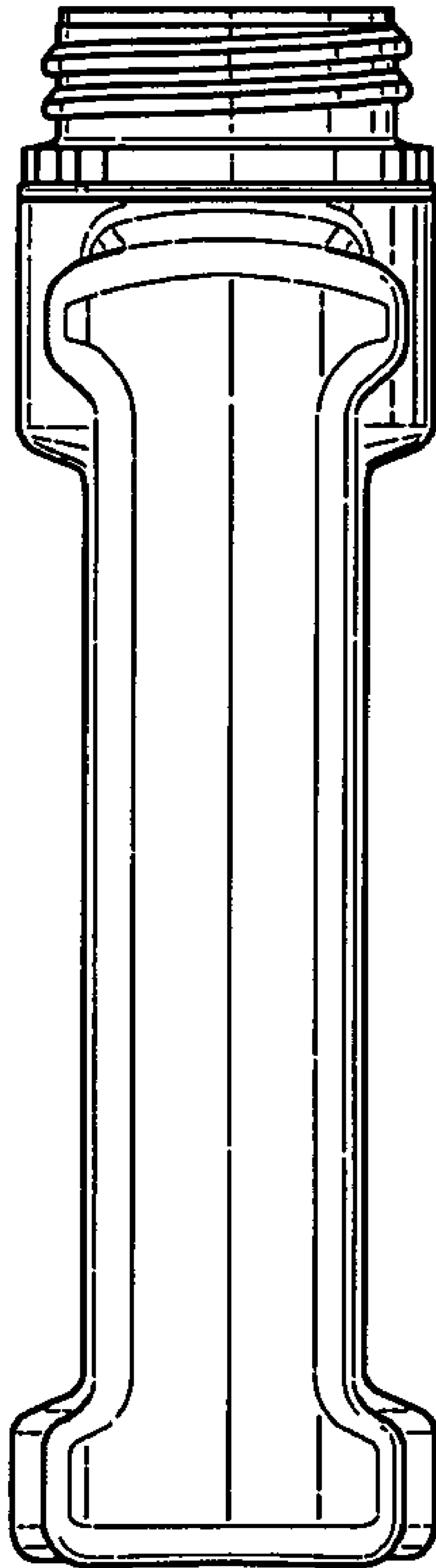


Fig. 4.

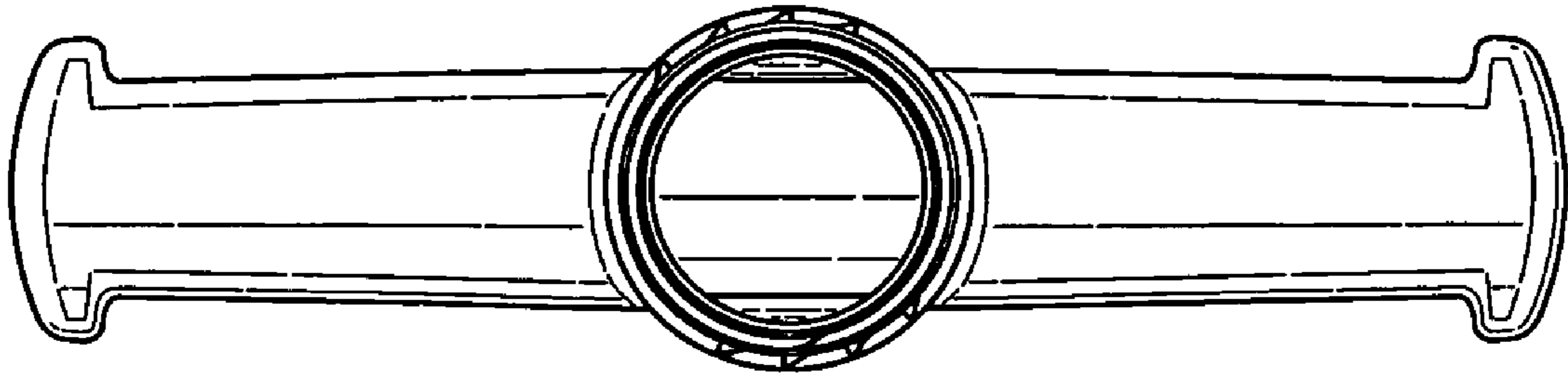


Fig.5.

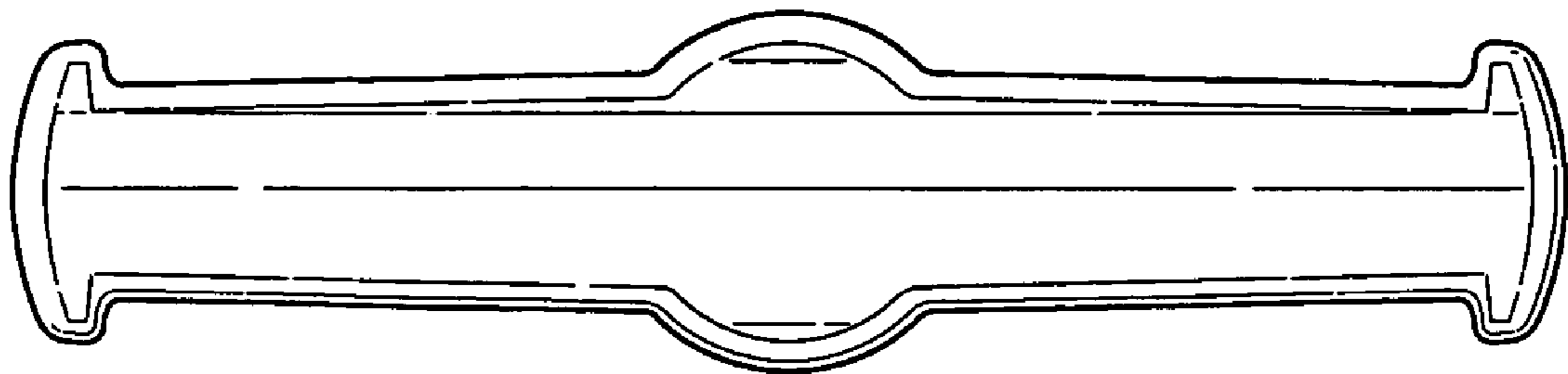


Fig.6.

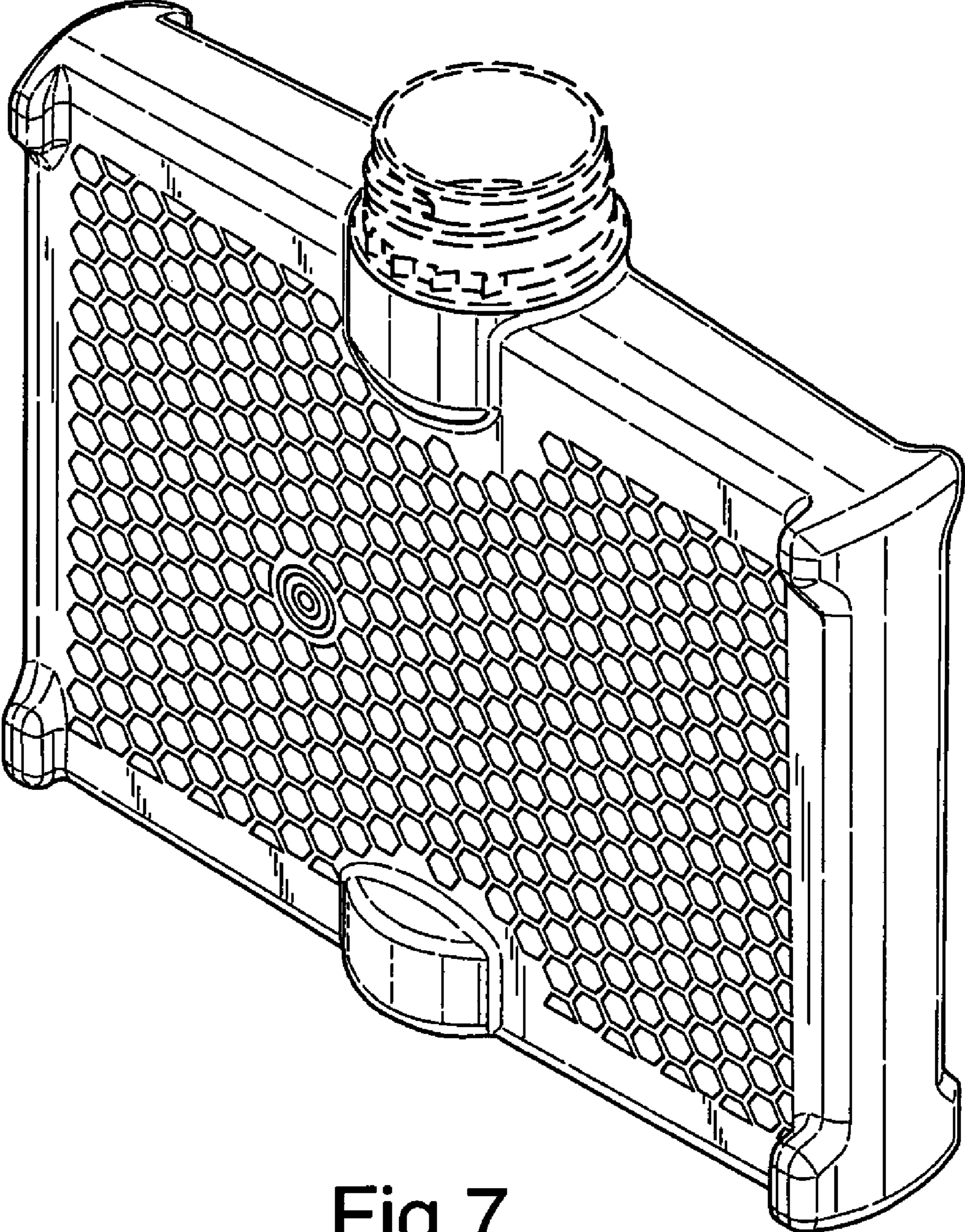


Fig.7.

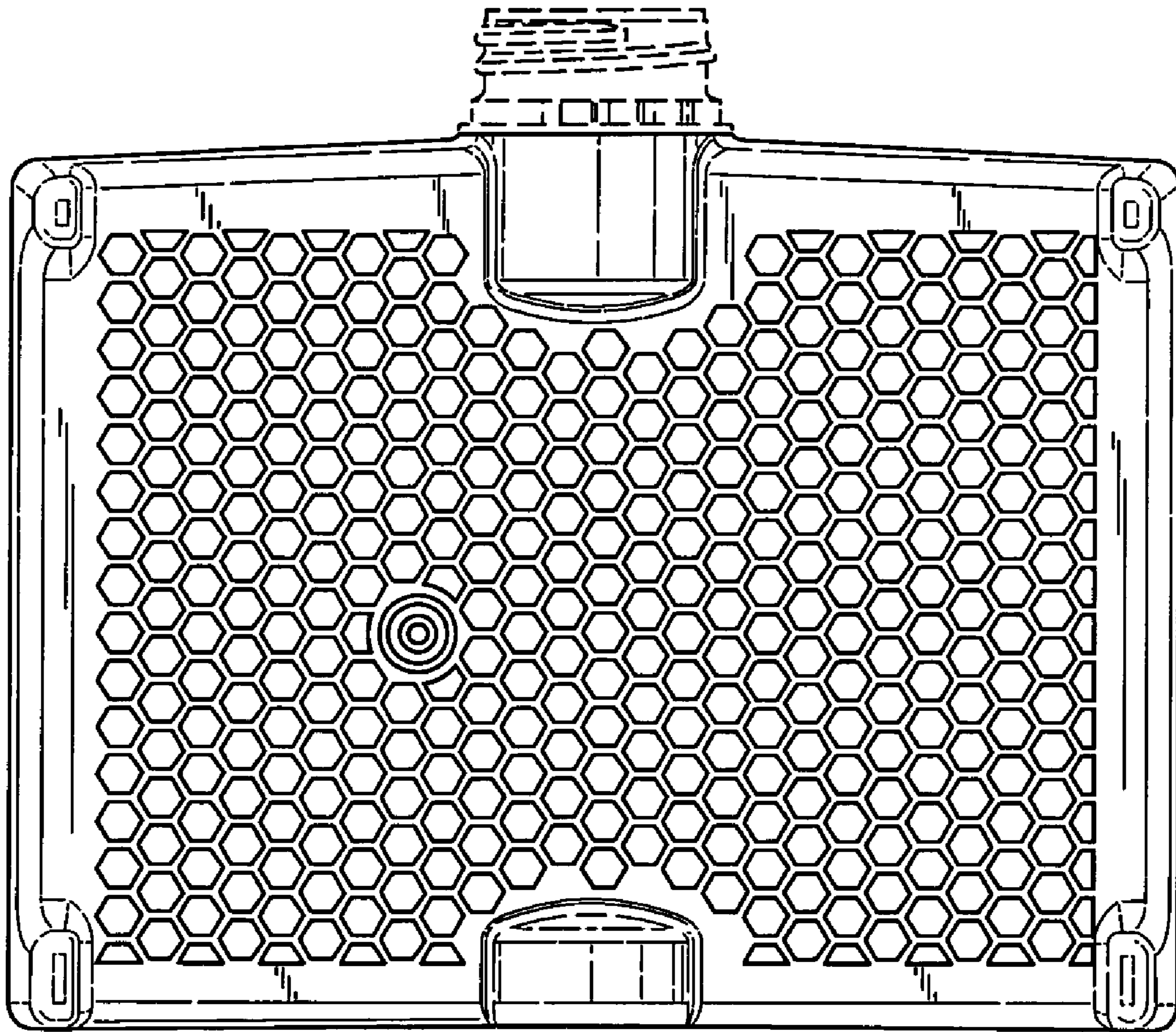


Fig.8.

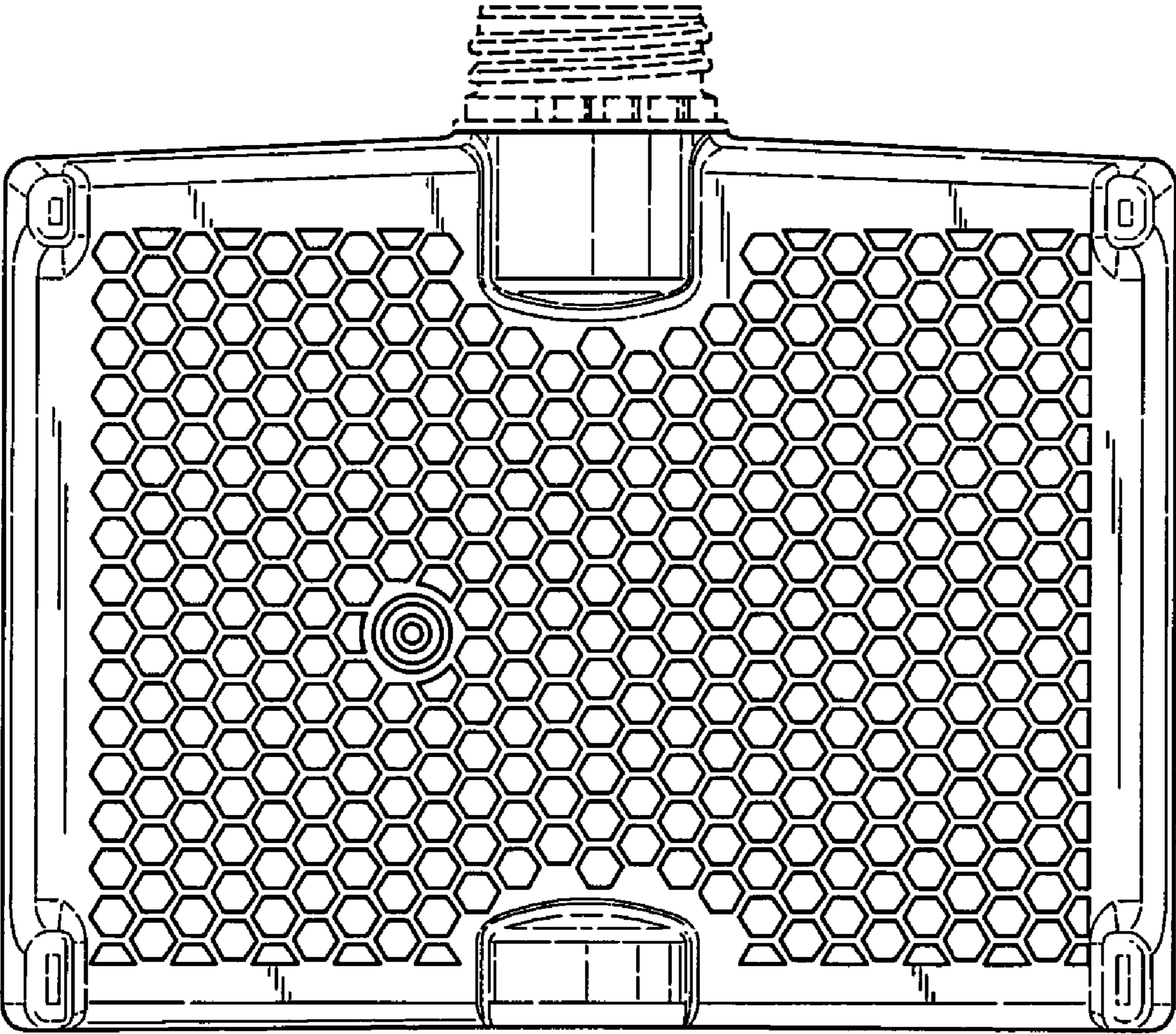


Fig.9.

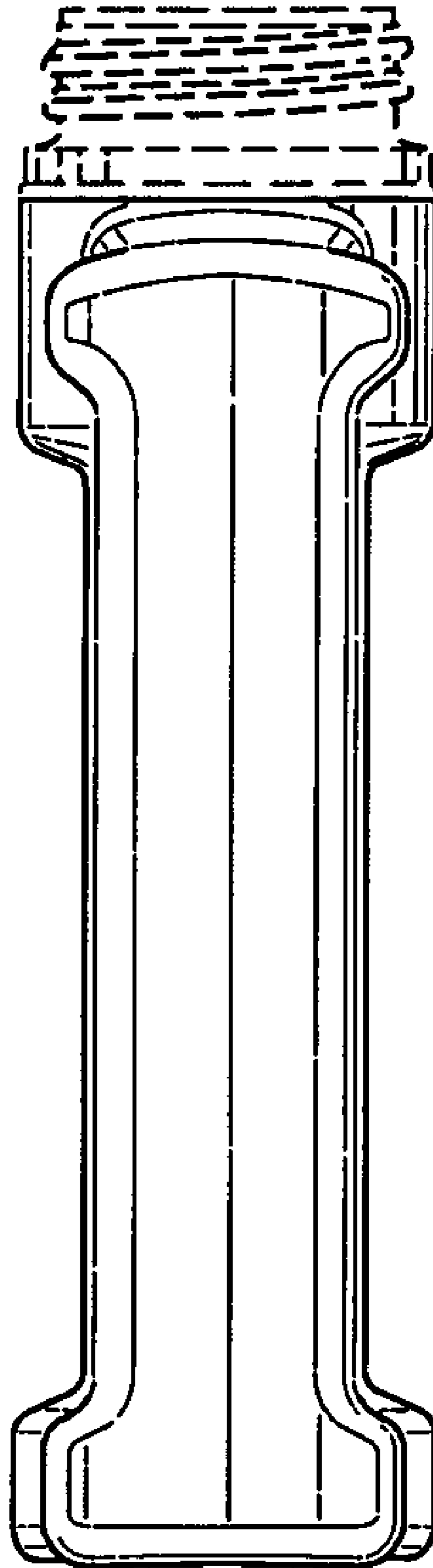


Fig. 10.

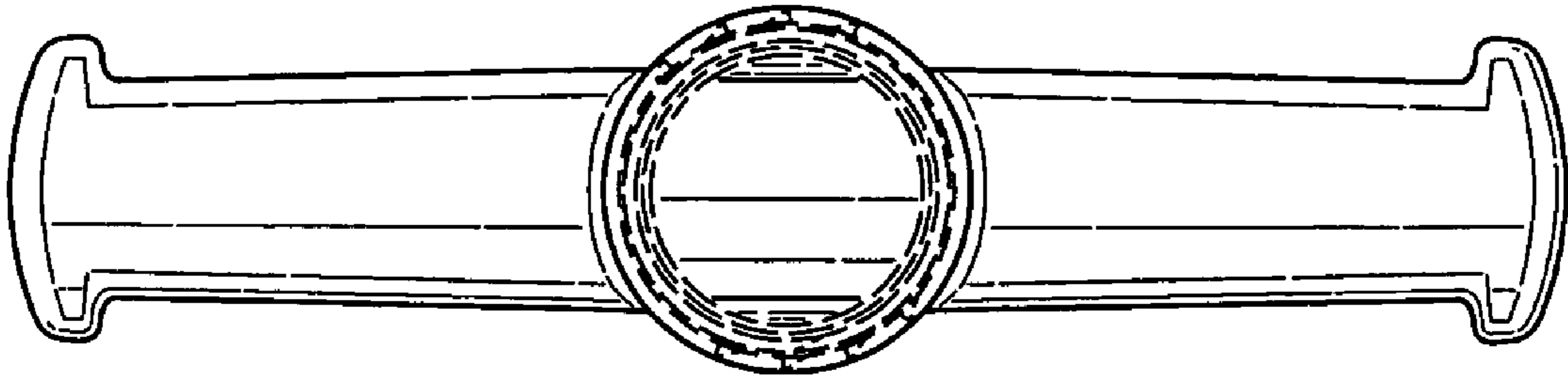


Fig. 11.

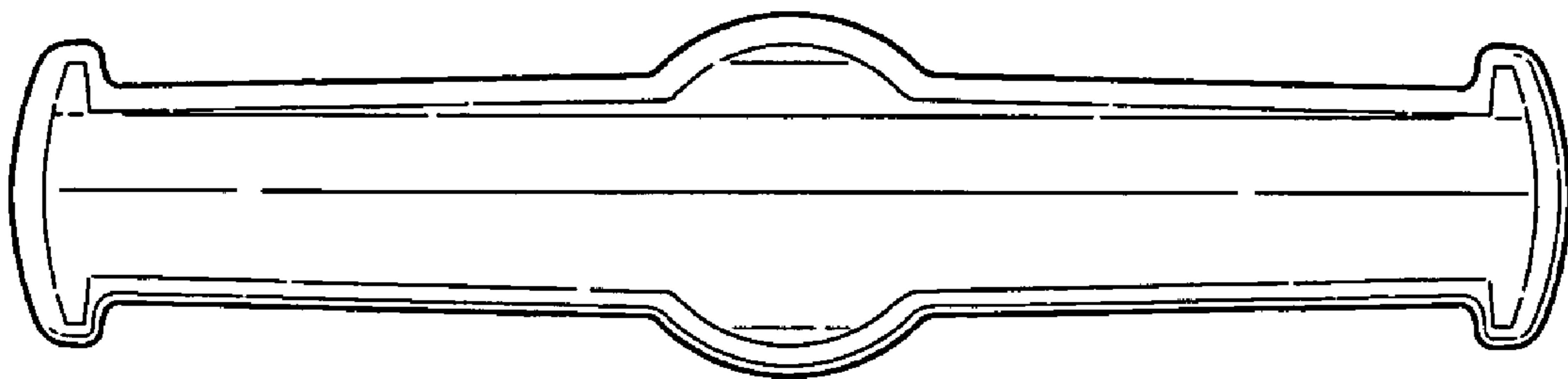


Fig. 12.