

US00D597834S

(12) **United States Design Patent**
Mittelstaedt et al.

(10) **Patent No.:** **US D597,834 S**
(45) **Date of Patent:** **** Aug. 11, 2009**

(54) **STORAGE CONTAINER**

(76) Inventors: **Chris Mittelstaedt**, 405 Victory Dr., Suite D, South San Francisco, CA (US) 94080; **Richard G. Hansen**, 1999 Oak St. No. 4, San Francisco, CA (US) 94117; **Kevin McKim**, 4530 Leckron Rd., Modesto, CA (US) 95357; **Erich Boese**, 4530 Leckron Rd., Modesto, CA (US) 95357; **Tony Joyce**, 4530 Leckron Rd., Modesto, CA (US) 95357

(**) Term: **14 Years**

(21) Appl. No.: **29/318,254**

(22) Filed: **May 15, 2008**

(51) **LOC (9) Cl.** **09-03**

(52) **U.S. Cl.** **D9/432**

(58) **Field of Classification Search** D9/430-433, D9/414, 418, 420-423, 435, 560, 561; D3/201, D3/272, 273, 305; 206/278, 297, 299, 320, 206/339, 433, 769, 770, 775, 776, 781, 782, 206/822; 229/100, 103.3, 104-106, 107, 229/108, 108.1, 110, 111, 112, 115, 117.16, 229/120, 125.015, 120.32, 133.24, 122.29, 229/124, 160.1, 162.1, 162.6, 163, 182.1, 229/201, 406, 407, 902, 904, 906, 922, 930, 229/939, 942

See application file for complete search history.

(56) **References Cited**

U.S. PATENT DOCUMENTS

1,480,377 A * 1/1924 Daly 229/122.23
1,491,574 A * 4/1924 Walter 229/125.17
1,510,508 A * 10/1924 Snyder 217/2
1,672,634 A * 6/1928 Walter 229/122.26

1,703,399 A * 2/1929 Lange 229/122.26
1,862,205 A * 6/1932 Stokes 229/122.24
1,976,530 A * 10/1934 Verhoven 229/117.17
2,144,774 A * 1/1939 Richards et al. 229/120.18
2,324,905 A * 7/1943 Chambliss 229/117.17
2,331,754 A * 10/1943 Wohlers 229/148
2,361,124 A * 10/1944 Ringholz 229/148
2,913,162 A * 11/1959 Goltz 206/509

(Continued)

Primary Examiner—T. Chase Nelson
Assistant Examiner—Karen Acker
(74) *Attorney, Agent, or Firm*—Wiesner & Associates;
Leland Wiesner

(57) **CLAIM**

What is claimed is an ornamental design for a storage container, as shown and described.

DESCRIPTION

This application relates to and claims benefit of U.S. application Ser. No. 11/305,487, filed Dec. 15, 2005 and titled "Storage Container Device".

FIG. 1 is a perspective view of a storage container showing the new design;

FIG. 2 is a first side view along the length thereof;

FIG. 3 is a second side view along the width thereof;

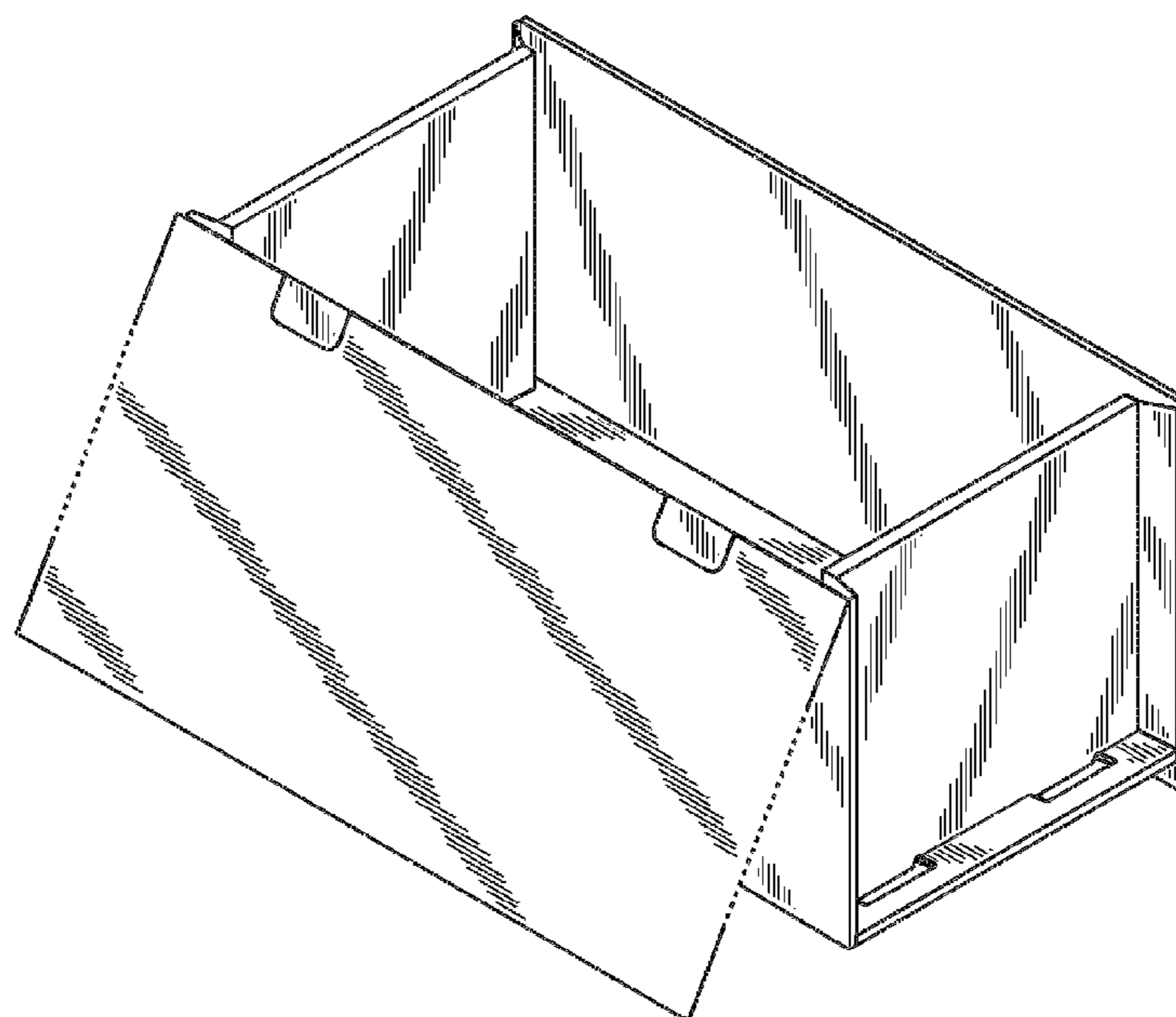
FIG. 4 is a first top view of the container when closed;

FIG. 5 is a second top view of the container when open; and,

FIG. 6 is a bottom view thereof.

The broken lines represent the portions of the design that form no part of the claimed design. The broken line at the base of FIG. 3 is for the purpose of describing the orientation of the view and forms no part of the claimed design.

1 Claim, 4 Drawing Sheets



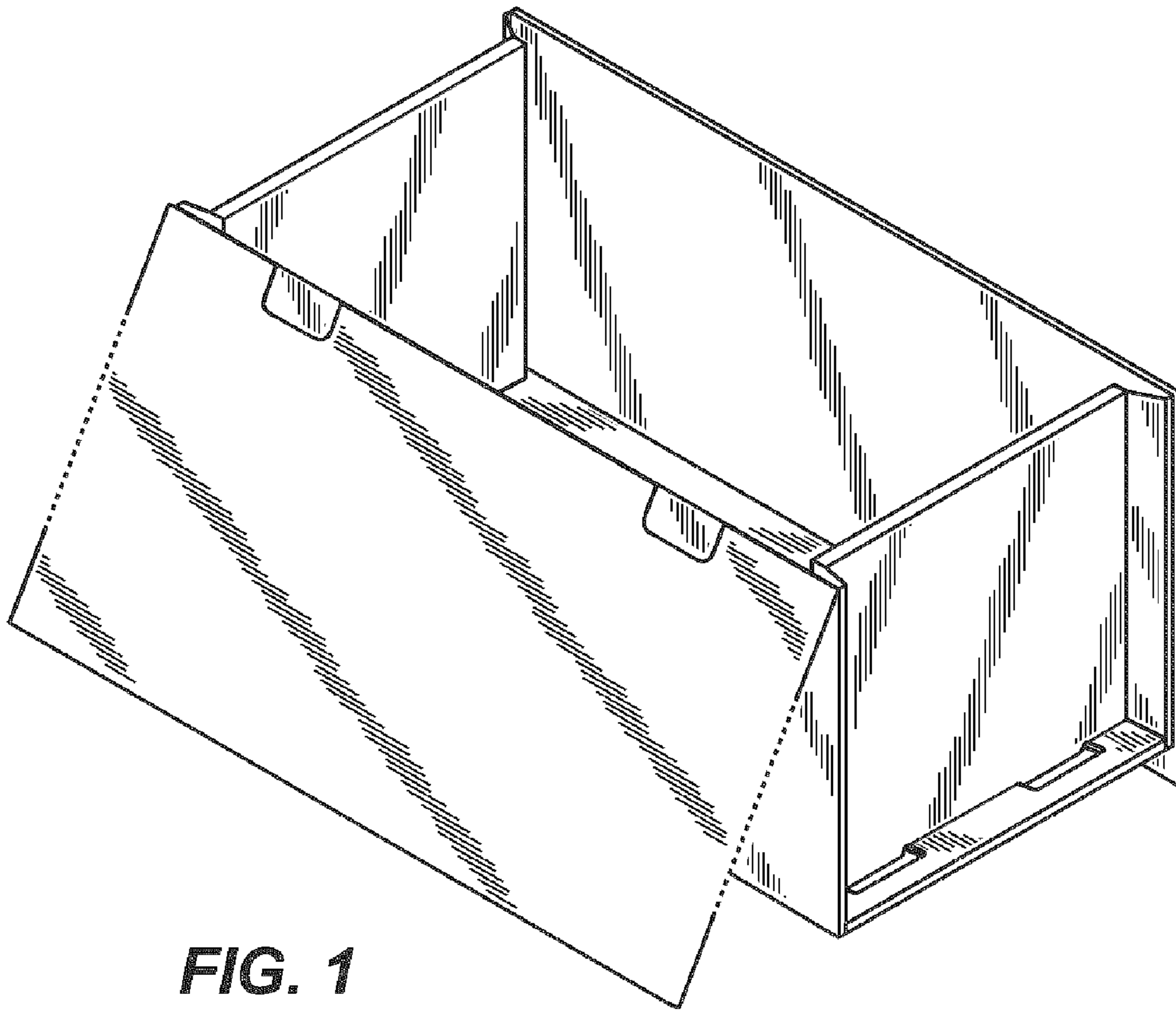
US D597,834 S

Page 2

U.S. PATENT DOCUMENTS

2,963,211	A *	12/1960	Agler	229/117.16	4,869,424	A *	9/1989	Wood	229/113
3,055,569	A *	9/1962	Layne, Sr.	229/117.17	5,007,580	A *	4/1991	Morrison et al.	229/117.17
3,170,616	A *	2/1965	Crozier	206/199	D326,341	S *	5/1992	Frauhiger	D34/1
3,291,370	A *	12/1966	Elias	229/125.41	5,562,246	A *	10/1996	Smith et al.	229/117.16
3,313,465	A *	4/1967	Geisler	229/122.24	5,887,782	A *	3/1999	Mueller	229/183
3,313,468	A *	4/1967	Ross	206/521	6,102,280	A *	8/2000	Dowd	229/155
3,352,474	A *	11/1967	Racer	229/149	6,761,307	B2 *	7/2004	Matsuoka	229/117
3,485,433	A *	12/1969	Rapp	229/122.25	D539,138	S *	3/2007	Mittelstaedt et al.	D9/432
3,815,808	A *	6/1974	Bunnell	206/427	2007/0063003	A1 *	3/2007	Spivey et al.	229/117.16
3,924,801	A *	12/1975	Partain	229/168	2007/0138245	A1 *	6/2007	Mittelstaedt et al.	229/163
3,951,329	A *	4/1976	Turner	229/125.32	2008/0237322	A1 *	10/2008	Mittelstaedt	229/117.16
4,739,921	A *	4/1988	Taub	229/120.32	2008/0237323	A1 *	10/2008	Mittelstaedt	229/117.16

* cited by examiner



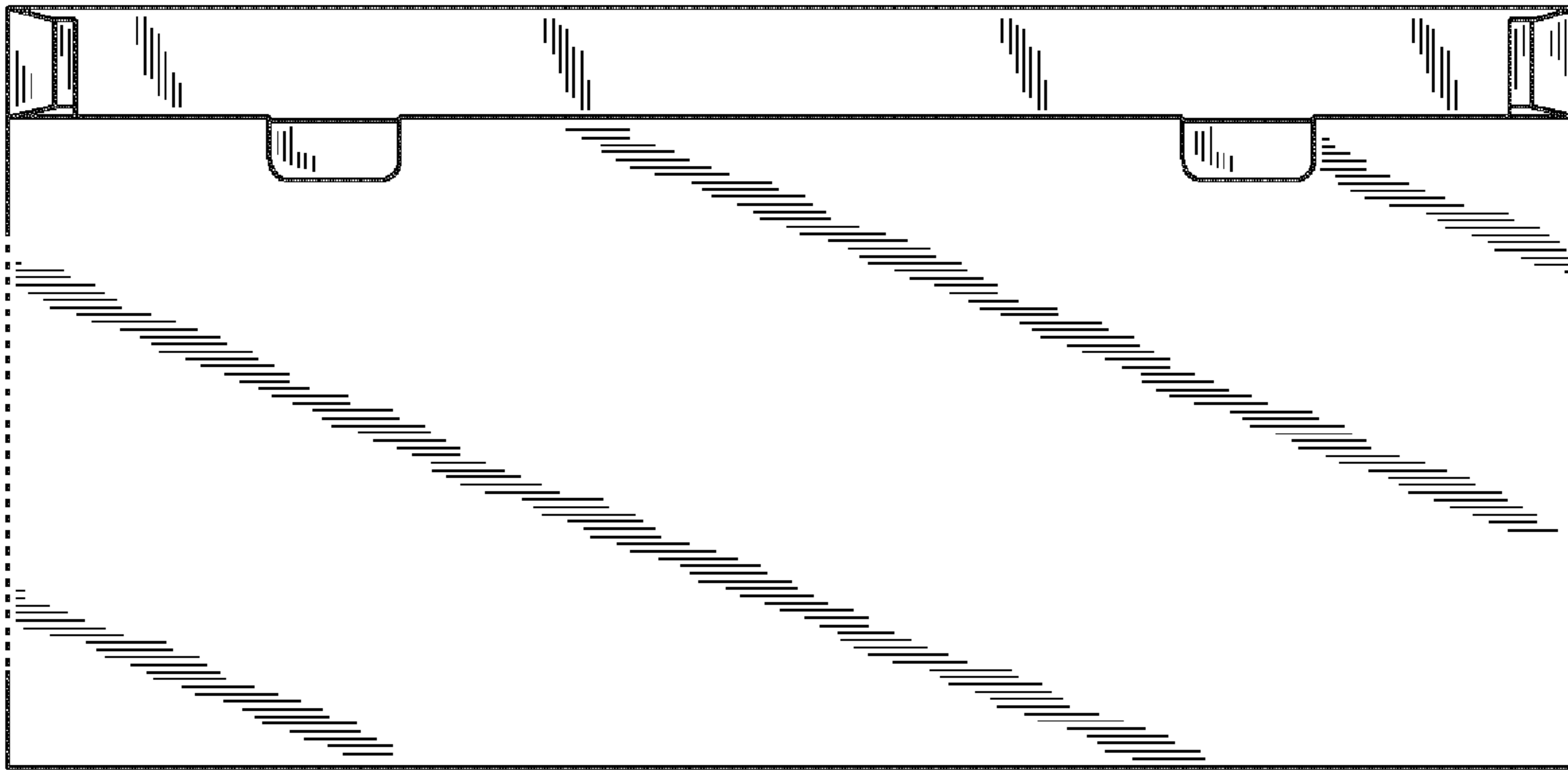


FIG. 2

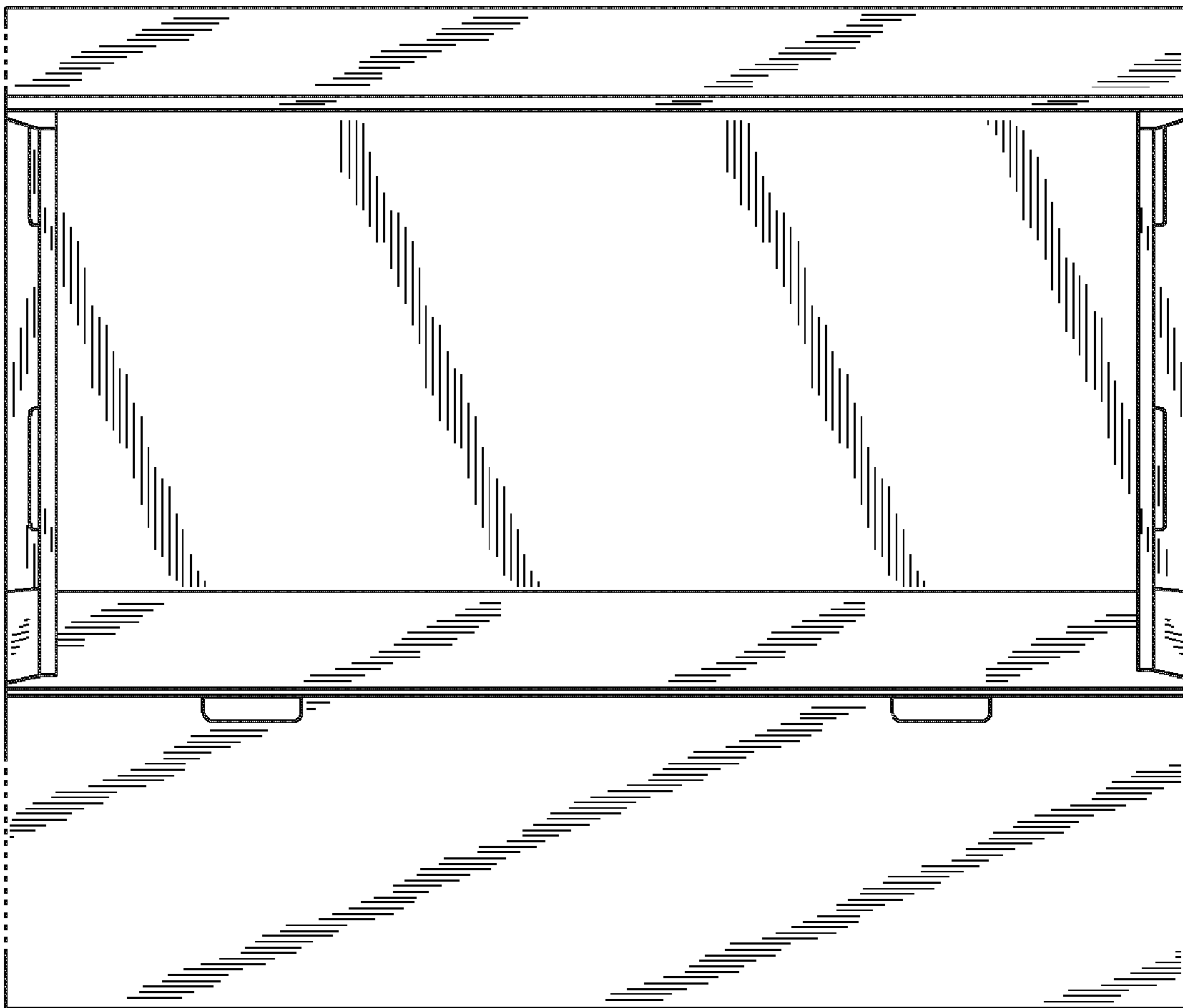
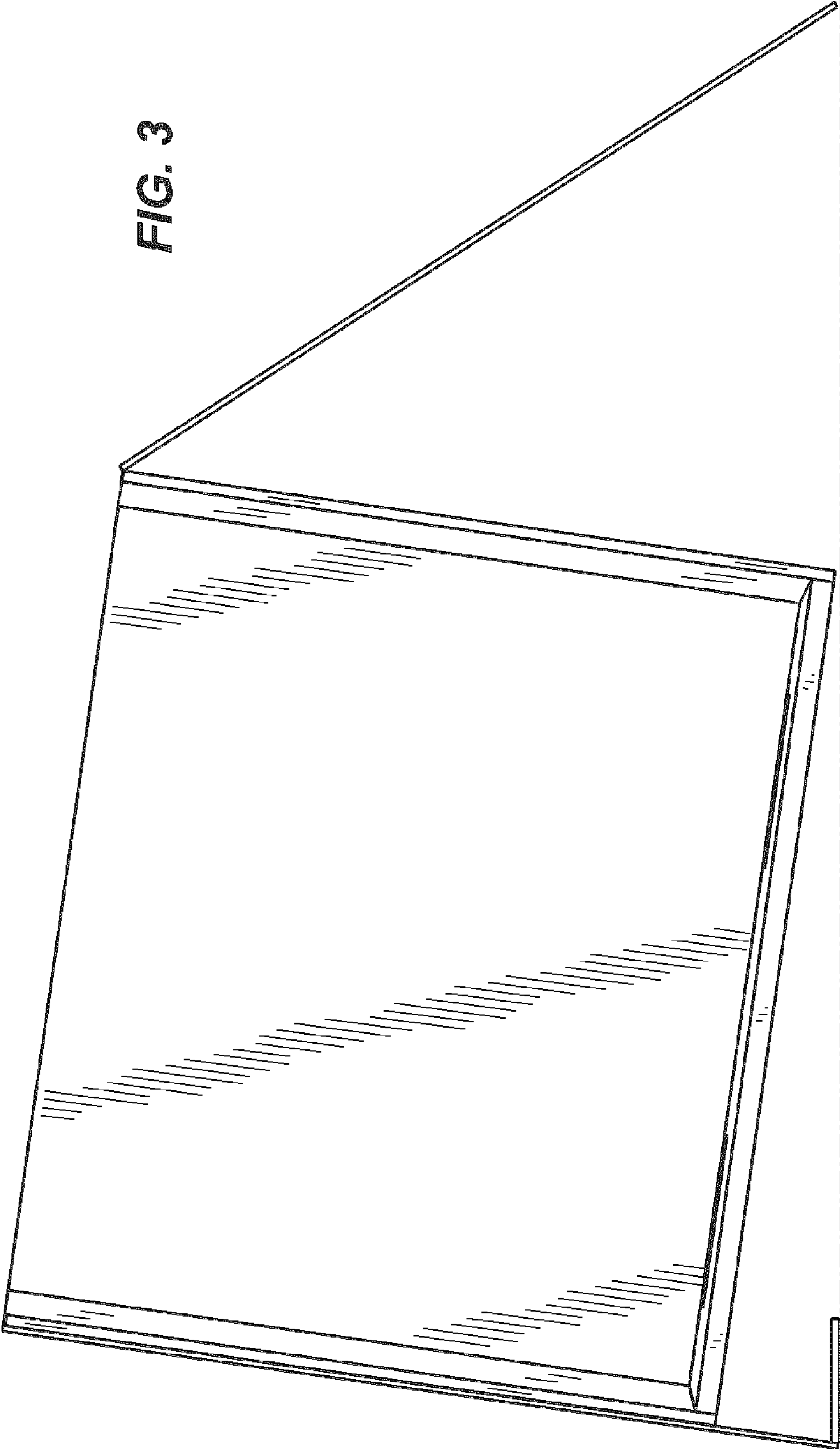


FIG. 5

FIG. 3



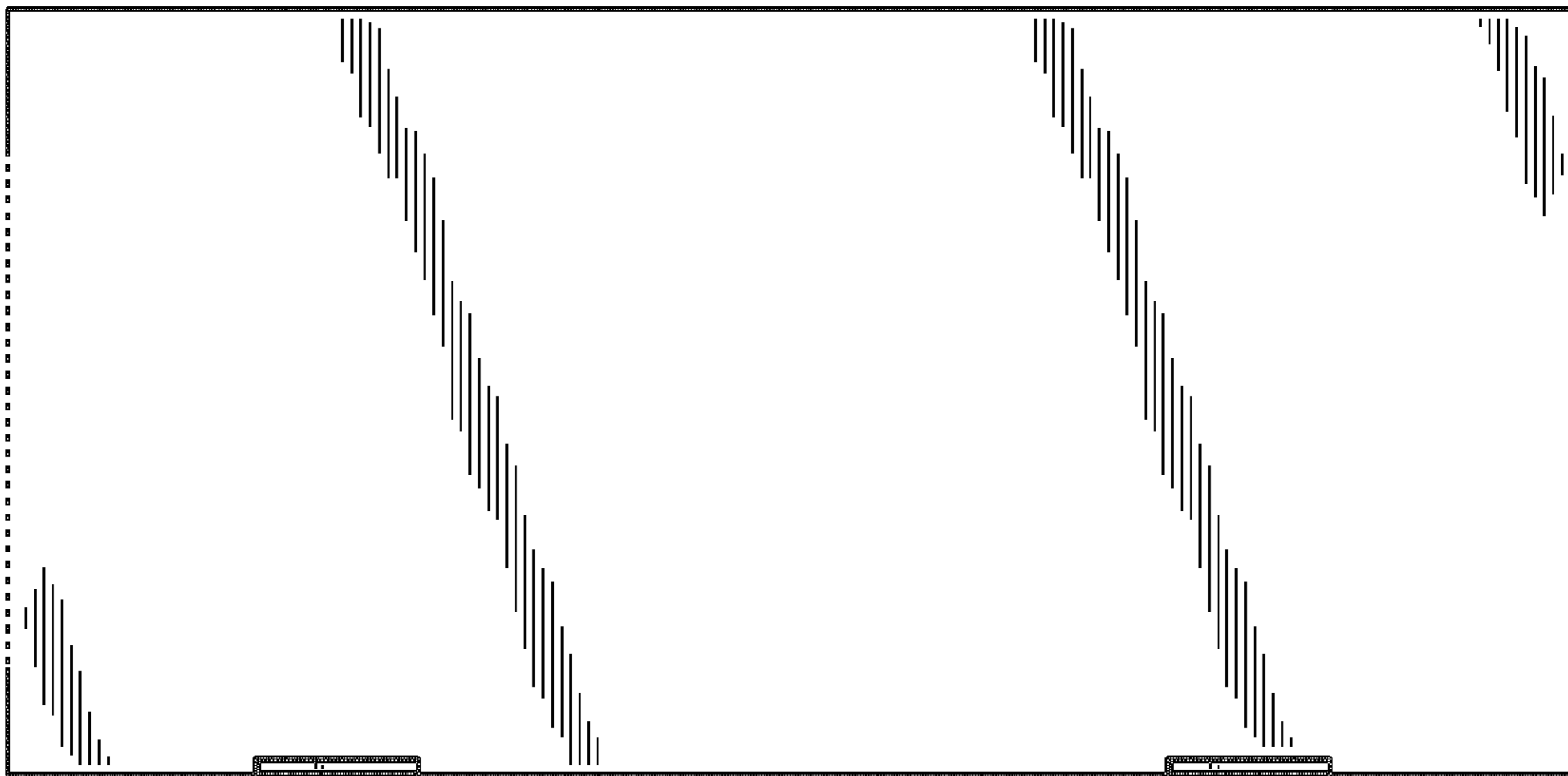


FIG. 4

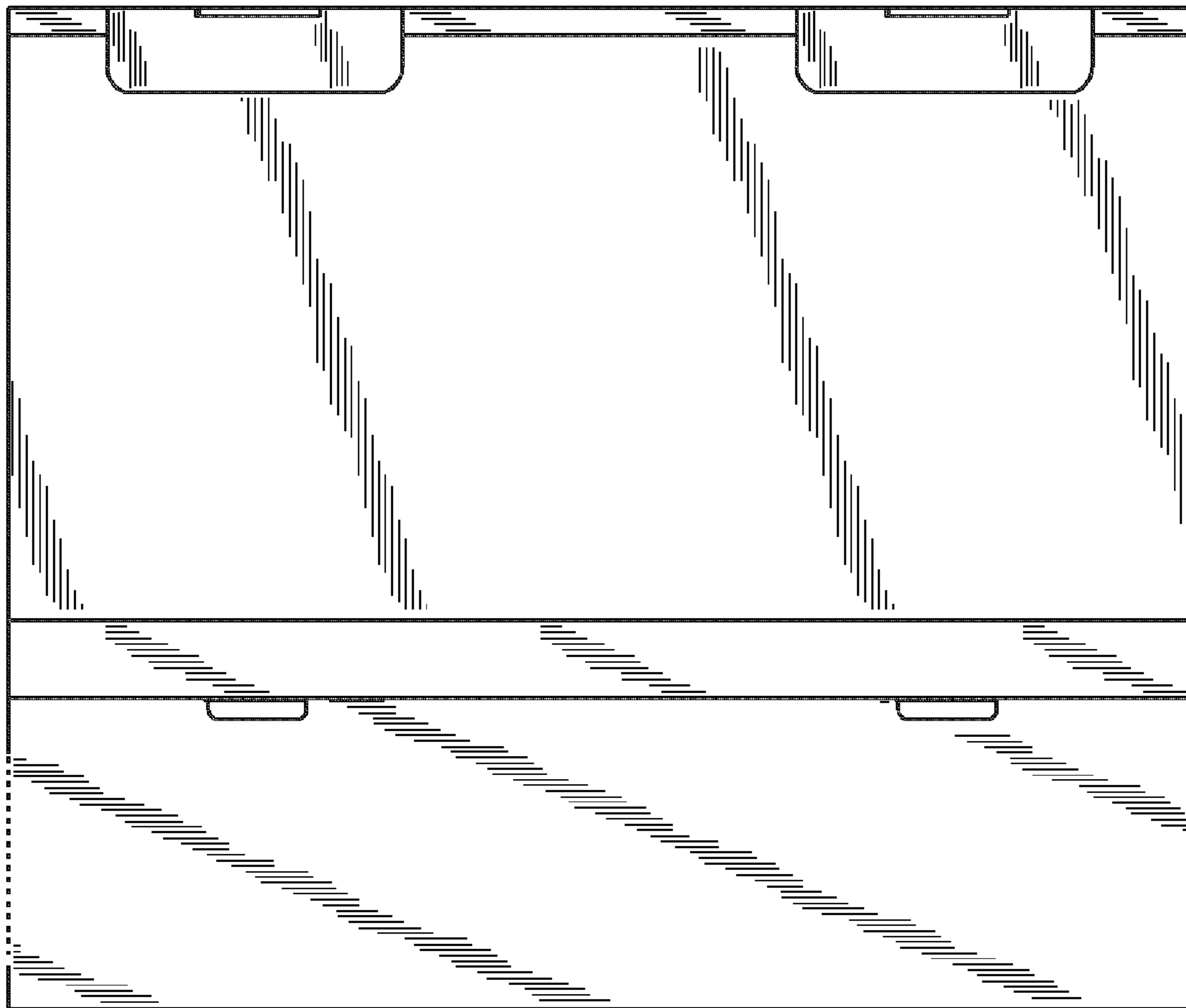


FIG. 6