



US00D597833S

(12) **United States Design Patent**
Ames et al.

(10) **Patent No.:** **US D597,833 S**
(45) **Date of Patent:** **** Aug. 11, 2009**

- (54) **BOX**
- (75) Inventors: **Gregory Churchill Ames**, Cincinnati, OH (US); **Mark A. Nichols**, Newton Highlands, MA (US); **Alison R. Maiorano**, San Francisco, CA (US); **Glen V. Walter**, Boxford, MA (US); **Douglas A. Marsden**, Marblehead, MA (US); **Anna Magdalena Engström**, Cambridge, MA (US)
- (73) Assignee: **The Procter & Gamble Company**, Cincinnati, OH (US)

(**) Term: **14 Years**

(21) Appl. No.: **29/305,772**

(22) Filed: **Mar. 27, 2008**

- (51) **LOC (9) Cl.** **09-03**
- (52) **U.S. Cl.** **D9/432**
- (58) **Field of Classification Search** D9/430-433, D9/414, 418, 420-423, 435, 560, 561; D3/201, D3/272, 273, 305; 206/278, 297, 299, 320, 206/339, 433, 769, 770, 775, 776, 781, 782, 206/822; 229/100, 103.3, 104-106, 107, 229/108, 108.1, 110, 111, 112, 115, 117.16, 229/120, 125.015, 120.32, 133.24, 122.29, 229/124, 160.1, 162.1, 162.6, 163, 182.1, 229/201, 406, 407, 902, 904, 906, 922, 930, 229/939, 942

See application file for complete search history.

(56) **References Cited**

U.S. PATENT DOCUMENTS

- D79,888 S * 11/1929 MacMillan D9/432
- D81,676 S * 7/1930 Webber D9/432
- 1,913,950 A * 6/1933 Platt 206/223
- D92,415 S * 6/1934 McClintock, Jr. D9/432
- 2,547,005 A * 4/1951 Hunting et al. 229/90
- 2,553,803 A * 5/1951 Zinn, Jr. 229/137
- 2,857,091 A * 10/1958 Enzie 229/132
- D186,259 S * 9/1959 Howell D5/53

- 2,933,228 A * 4/1960 Reynolds 229/199
- D190,447 S * 5/1961 Bindman D9/423
- 3,233,818 A * 2/1966 Bixler et al. 229/117.34
- 3,390,827 A * 7/1968 Malby et al. 229/116.1
- 4,148,418 A * 4/1979 Ewing et al. 222/183
- D259,471 S * 6/1981 Grodin D9/432
- D259,472 S * 6/1981 Grodin D9/432
- 4,789,058 A * 12/1988 Blaney 206/232
- D306,233 S * 2/1990 Smith D3/208
- D332,347 S * 1/1993 Raadt et al. D3/20
- 5,332,146 A * 7/1994 Brauner et al. 229/116.1
- D377,144 S * 1/1997 Sawa D9/432
- 5,615,796 A * 4/1997 Rench 229/146
- 5,772,111 A * 6/1998 Kirsch 229/403
- D405,007 S * 2/1999 Naas, Sr. D9/414
- 6,059,182 A * 5/2000 Wein 229/219
- 6,082,614 A * 7/2000 Schmidt 229/123.3

(Continued)

Primary Examiner—T. Chase Nelson
Assistant Examiner—Karen Acker
(74) *Attorney, Agent, or Firm*—Laura R. Grunzinger; Idris N. McKelvey

(57) **CLAIM**

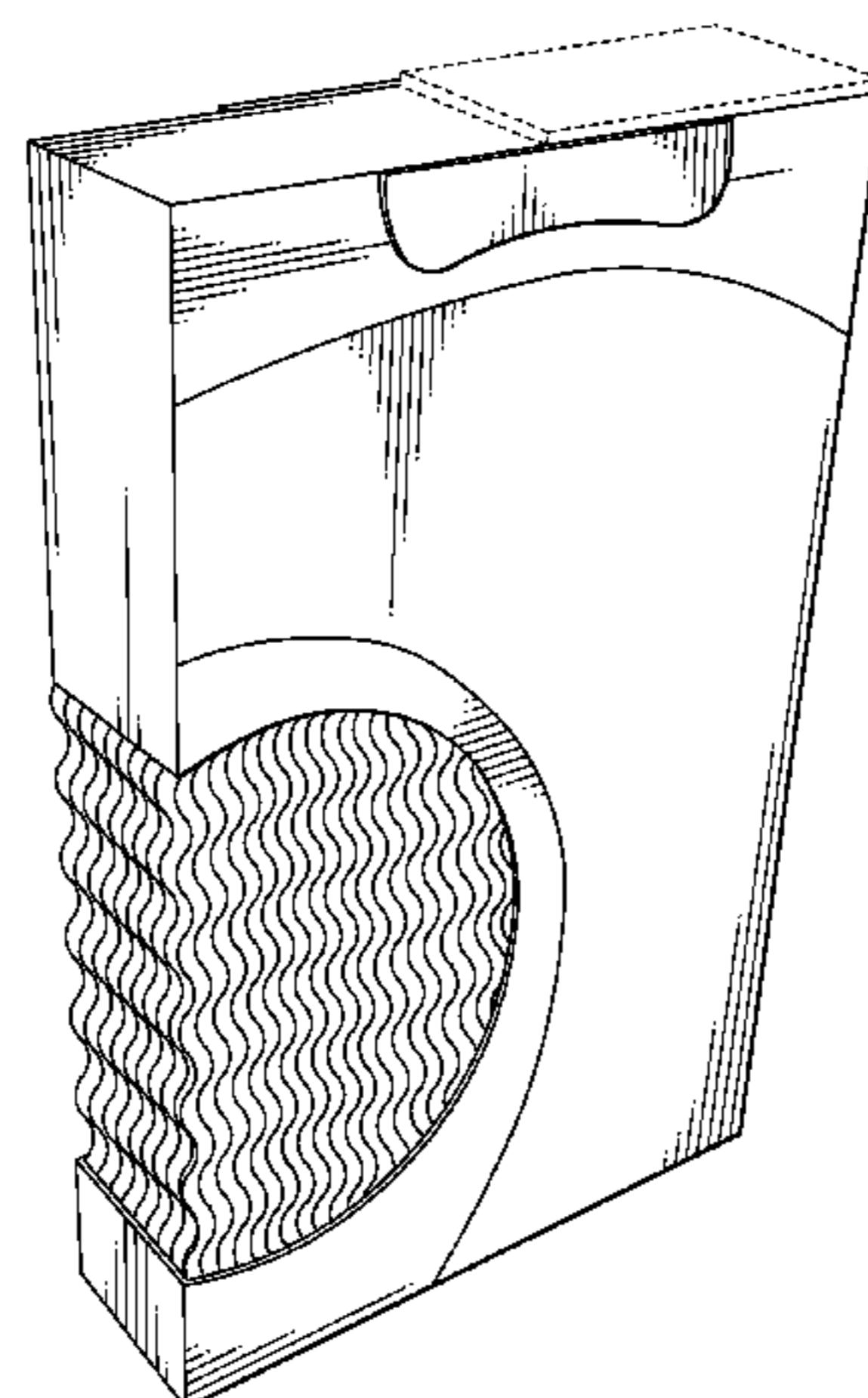
The ornamental design for a box, as shown and described.

DESCRIPTION

FIG. 1 is a perspective view of a first embodiment of the box embodying our new design;
FIG. 2 is a front view thereof;
FIG. 3 is a back view thereof;
FIG. 4 is a right view thereof;
FIG. 5 is a left view thereof;
FIG. 6 is a top view thereof; and,
FIG. 7 is a bottom view thereof.

The broken lines in the drawing represent the portions of the design that form no part of the claimed design.

1 Claim, 5 Drawing Sheets



US D597,833 S

Page 2

U.S. PATENT DOCUMENTS

D441,611 S	*	5/2001	Hudson et al.	D7/538	D518,291 S	*	4/2006	Zou et al.	D3/255
D496,274 S	*	9/2004	Egawa	D9/432	D556,572 S	*	12/2007	Mongeon et al.	D9/432
D499,020 S	*	11/2004	Izen et al.	D9/415	D566,545 S	*	4/2008	Bone et al.	D9/432

* cited by examiner

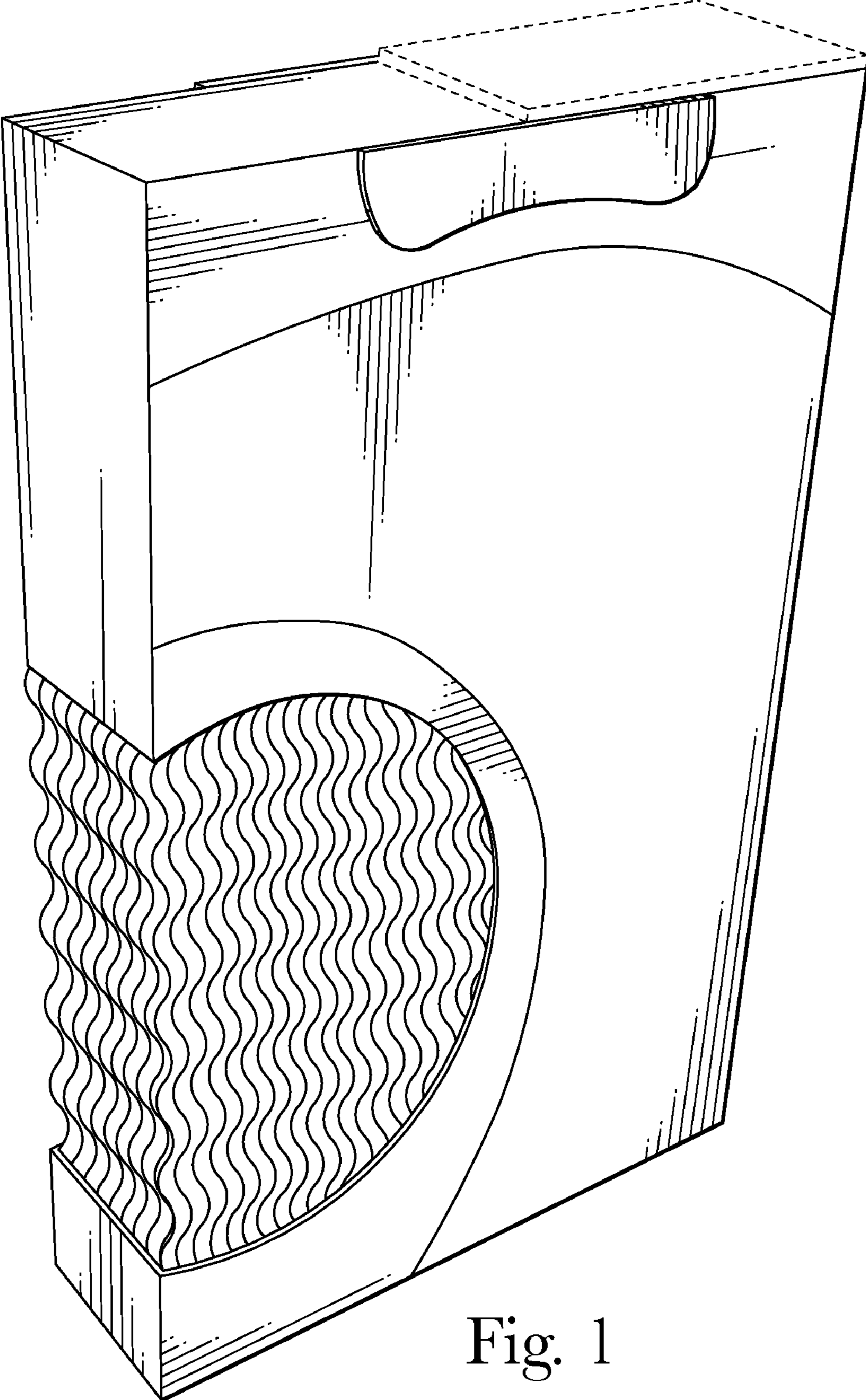


Fig. 1

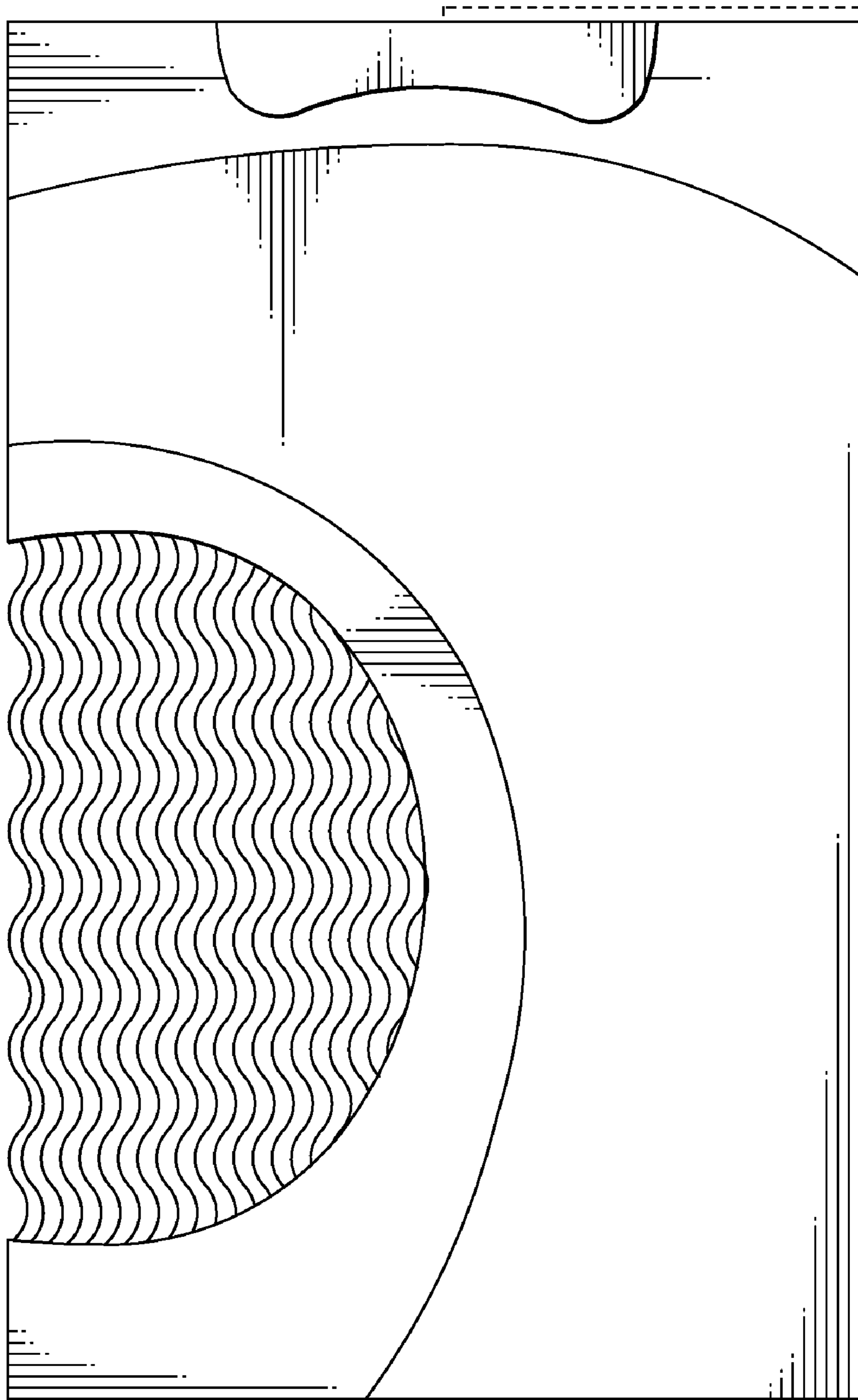


Fig. 2

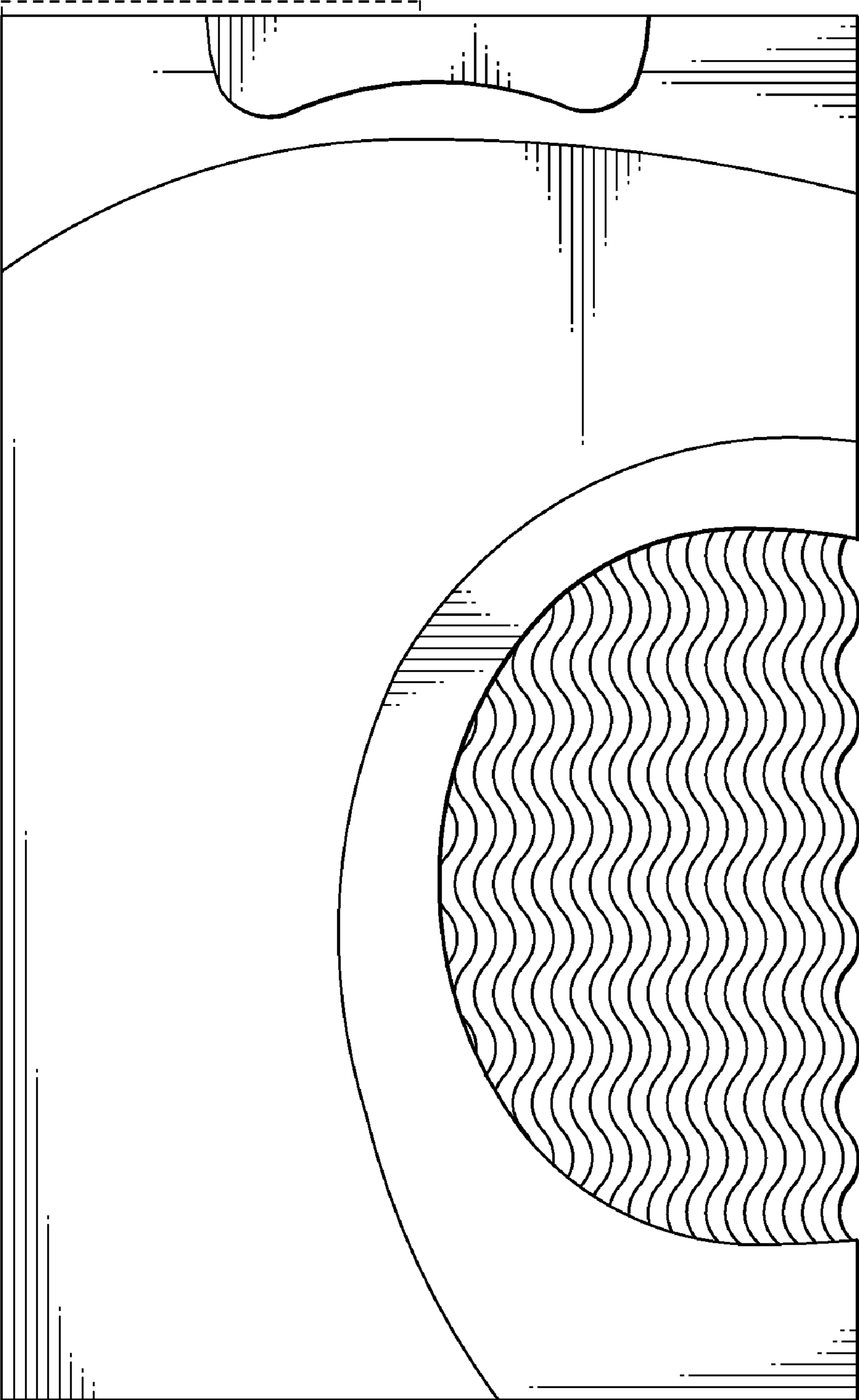


Fig. 3

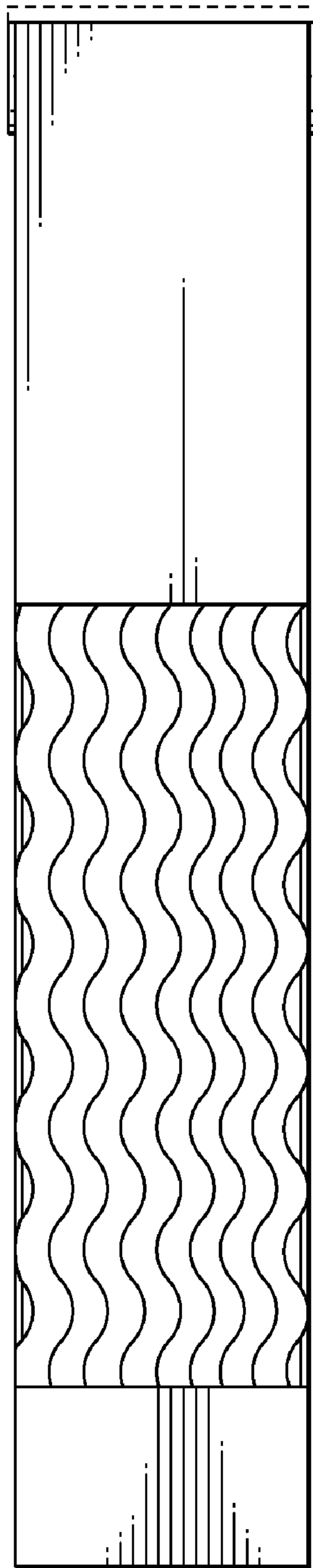


Fig. 4

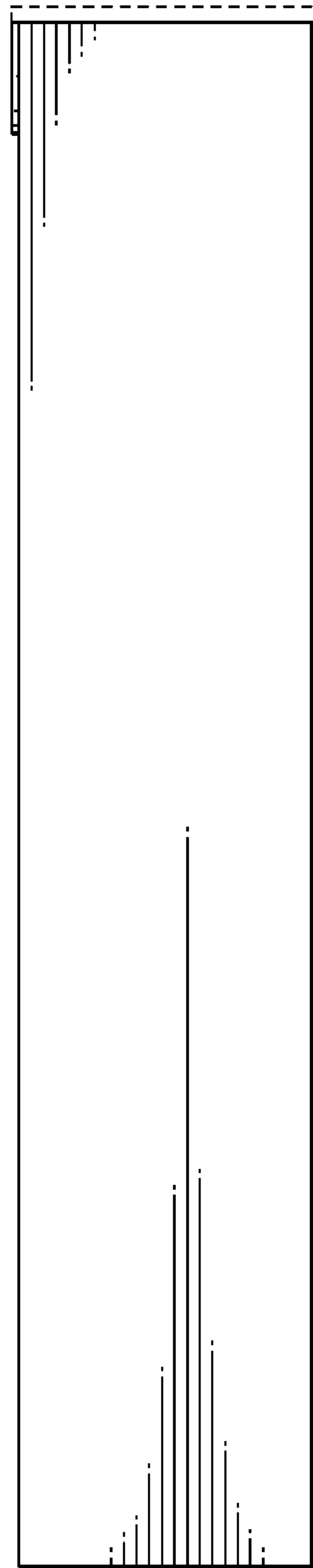


Fig. 5

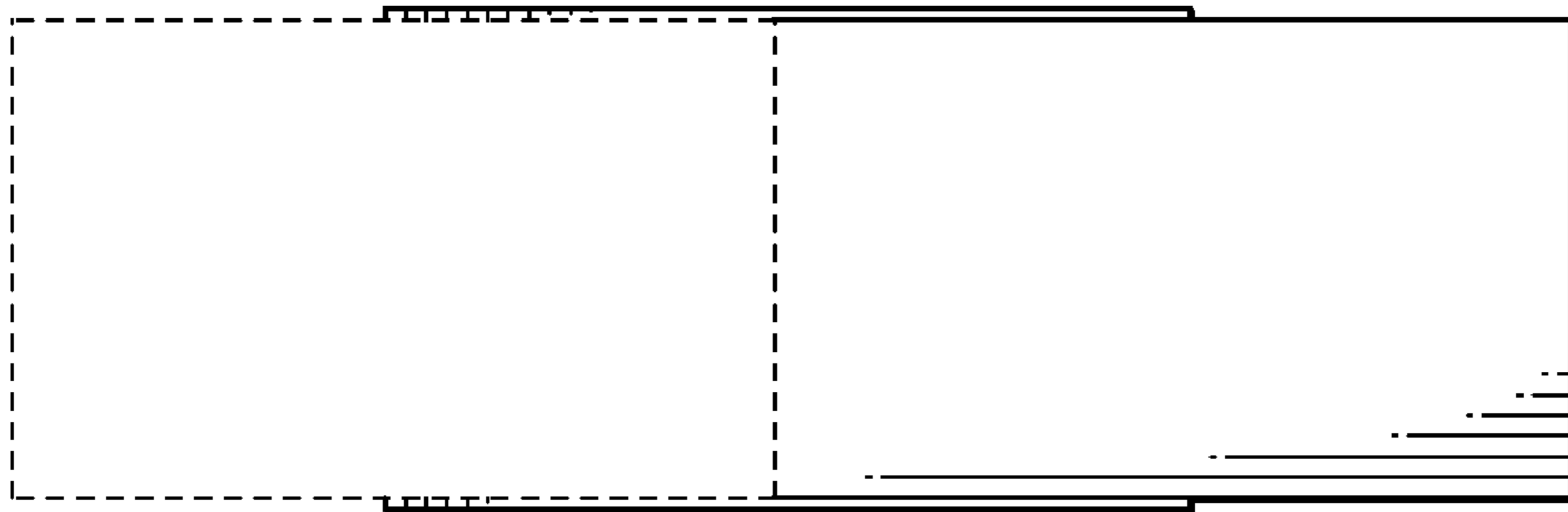


Fig. 6

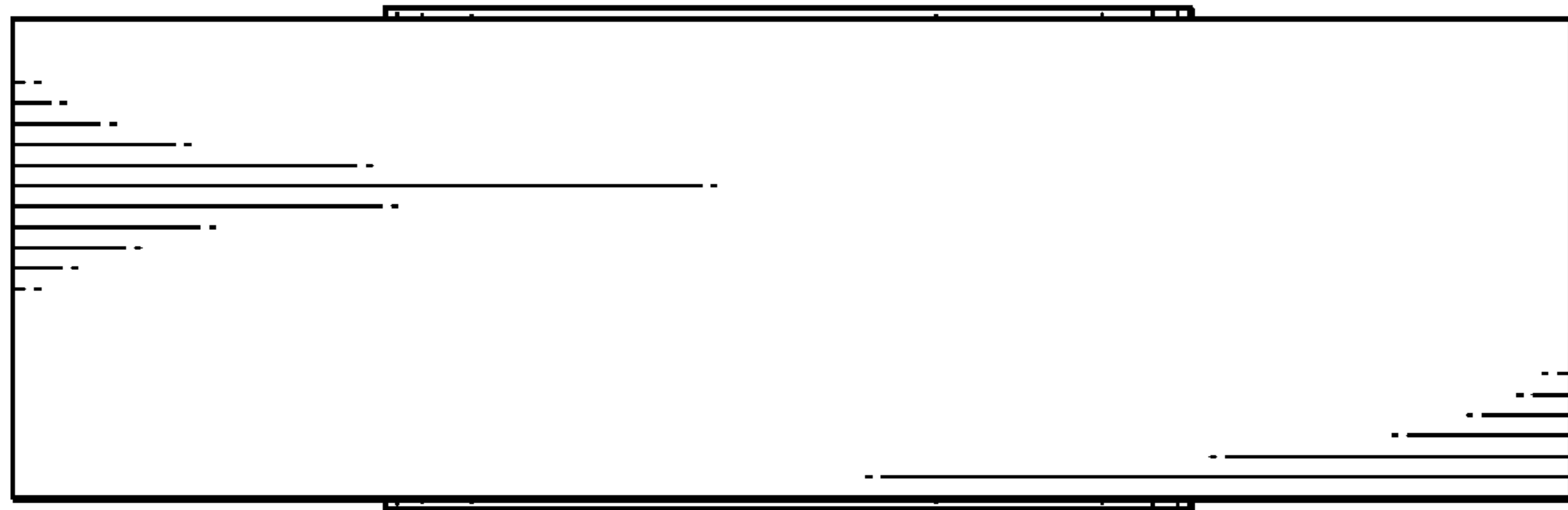


Fig. 7