

US00D597832S

(12) **United States Design Patent**
Bischoff et al.

(10) **Patent No.:** **US D597,832 S**

(45) **Date of Patent:** **** Aug. 11, 2009**

(54) **CONTAINER**

(75) Inventors: **Corey Michael Bischoff**, Cincinnati, OH (US); **Julie Jane Baker**, Hamilton, OH (US); **Daniel Adam Streng**, Elmwood Park, IL (US); **Timothy Ryan Read**, Chicago, IL (US); **Parker David Selbert**, Chicago, IL (US); **Christopher Richard Streng**, Chicago, IL (US); **James Louis Capo**, Middletown, OH (US)

(73) Assignee: **The Procter & Gamble Company**, Cincinnati, OH (US)

(**) Term: **14 Years**

(21) Appl. No.: **29/291,462**

(22) Filed: **Nov. 13, 2007**

(51) **LOC (9) Cl.** **09-03**

(52) **U.S. Cl.** **D9/431**

(58) **Field of Classification Search** D9/430-433, D9/414, 418, 420-423, 435, 560, 561, 711; D3/201, 272, 273, 305; 206/278, 297, 299, 206/320, 339, 433, 769, 770, 775, 776, 781, 206/782, 822, 155; 229/100, 103.3, 104-106, 229/107, 108, 108.1, 110, 111, 112, 115, 229/117.16, 120, 125.015, 120.32, 133.24, 229/122.29, 124, 160.1, 162.1, 162.6, 163, 229/182.1, 201, 406, 407, 902, 904, 906, 229/922, 930, 939, 942

See application file for complete search history.

(56) **References Cited**

U.S. PATENT DOCUMENTS

1,448,866 A * 3/1923 Redoute 294/159
1,542,420 A * 6/1925 Stone 206/299
1,669,139 A * 5/1928 Martin 229/125.37
1,670,694 A * 5/1928 Storhow 229/115
1,729,213 A * 9/1929 Ford 222/565
1,833,974 A * 12/1931 Powell et al. 229/115
1,981,647 A * 11/1934 Johnson 206/766

1,983,010 A * 12/1934 Spees 229/117.15
2,290,359 A * 7/1942 Ringler 206/362.4
2,375,631 A * 5/1945 De Villard 206/194
2,913,161 A * 11/1959 Travis 229/115
D190,973 S * 7/1961 Craddock D9/420

(Continued)

FOREIGN PATENT DOCUMENTS

EP 1103472 A2 * 5/2001

OTHER PUBLICATIONS

[http://networkerpromos.logomall.com/ProductSearch/QSResults.aspx?DPSV_Id=204842&pSRVC_Id=65&Ntt=match&Ntk=WordSearchAsiLinename&Ntx=mode+matchallpartial&N=0&No=\)&BWS=0|1&Ne=50](http://networkerpromos.logomall.com/ProductSearch/QSResults.aspx?DPSV_Id=204842&pSRVC_Id=65&Ntt=match&Ntk=WordSearchAsiLinename&Ntx=mode+matchallpartial&N=0&No=)&BWS=0|1&Ne=50), 2 pages of unspecified items.

(Continued)

Primary Examiner—T. Chase Nelson
Assistant Examiner—Karen Acker
(74) *Attorney, Agent, or Firm*—Julia A. Glazer; Kim W. Zerby; Steven W. Miller

(57) **CLAIM**

The ornamental design for a container, as shown and described.

DESCRIPTION

FIG. 1 is a perspective view of a container, showing our new ornamental design.

FIG. 2 is a front view of the container of FIG. 1.

FIG. 3 is a back view of the container of FIG. 1.

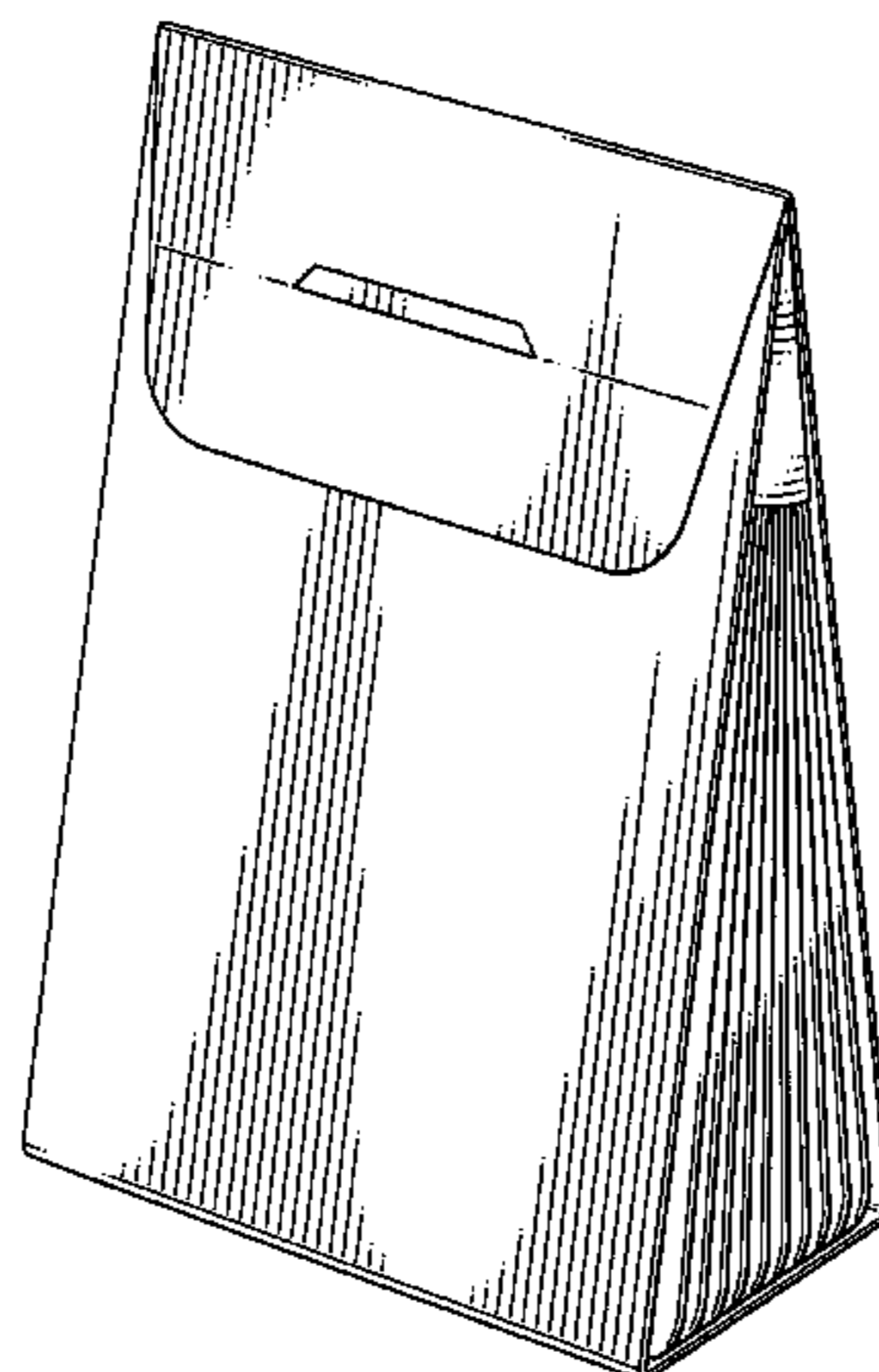
FIG. 4 is a right side view of the container of FIG. 1.

FIG. 5 is a left side view of the container of FIG. 1.

FIG. 6 is a top view of the container of FIG. 1; and,

FIG. 7 is a bottom view of the container of FIG. 1.

1 Claim, 6 Drawing Sheets



U.S. PATENT DOCUMENTS

3,034,695 A * 5/1962 Berghgracht 229/115
 3,079,062 A * 2/1963 Craddock 229/116
 3,250,454 A * 5/1966 Steiger 229/115
 3,322,383 A * 5/1967 Weinberg 248/174
 3,403,839 A * 10/1968 Farquhar 229/112
 3,542,191 A 11/1970 Scott
 3,653,576 A * 4/1972 Stranicky 229/115
 3,955,749 A * 5/1976 Turkenkopf 383/122
 3,972,416 A 8/1976 Underwood
 4,018,330 A 4/1977 Jorwa
 4,154,337 A 5/1979 Tybie
 4,184,595 A * 1/1980 Wackerman 206/423
 4,243,171 A * 1/1981 Prin 229/117.16
 4,606,553 A 8/1986 Nickerson
 4,678,882 A * 7/1987 Bohrer et al. 219/730
 4,734,288 A * 3/1988 Engstrom et al. 426/107
 D303,760 S * 10/1989 Brainard D9/697
 5,083,700 A * 1/1992 Mello et al. 229/115
 5,154,284 A 10/1992 Starkey
 5,295,630 A * 3/1994 Parish 229/138
 5,312,035 A * 5/1994 Nold et al. 229/104
 5,437,406 A * 8/1995 Gordon et al. 229/193
 5,509,808 A 4/1996 Bell
 D375,898 S * 11/1996 Bolton D9/415
 5,743,389 A * 4/1998 Cutler et al. 206/216
 D402,544 S * 12/1998 Jones D9/705
 6,042,113 A 3/2000 Walker
 6,110,512 A * 8/2000 Teasdale et al. 426/121
 6,116,499 A 9/2000 Todjar-Hengami

6,213,387 B1 * 4/2001 Zinke 229/116.1
 6,336,584 B1 * 1/2002 Roch et al. 229/101.2
 D455,959 S * 4/2002 Arp D9/433
 6,478,216 B2 * 11/2002 Wiart 229/101
 D538,157 S 3/2007 Boyner
 D559,098 S * 1/2008 Wilbur D9/417
 D567,078 S * 4/2008 Katsuyama D9/431
 2002/0185859 A1 12/2002 Reger et al.
 2008/0265009 A1 * 10/2008 Katoh 229/117.16

OTHER PUBLICATIONS

“The Packaging Designer’s Book of Patterns” copyright 1991 by Roth and Wybenga, published by Van Nostrand Reinhold, Cover, Pre-face, Forward, pp. 288, 289, 290 and 393, 4 designs represented. Photographs of the front, back, side, and top views of a container for olives publicly available in the U.S. more than 1 year prior to the filing date of U.S. Appl. No. 29/291,462, 4 page 1 view per page.
 Photographs of the front, perspective, back, side, and top views of a container for risotto publicly available in the U.S. more than 1 year prior to the filing date of U.S. Appl. No. 29/291,462, 5 pages 1 view per page.
 Photographs of the front, perspective, back, side view with croutons, side view without croutons, and top views of a container for croutons publicly available in the U.S. more than 1 year prior of the filing date of U.S. Appl. No. 29/291,462, 4 pages 1 view each.
 Photographs of the front, back, side, top views of a container publicly available in the U.S. more than 1 year prior to the filing date of U.S. Appl. No. 29/291,462, 6 pages 1 view each also appears to include a side showing a sleeve.

* cited by examiner

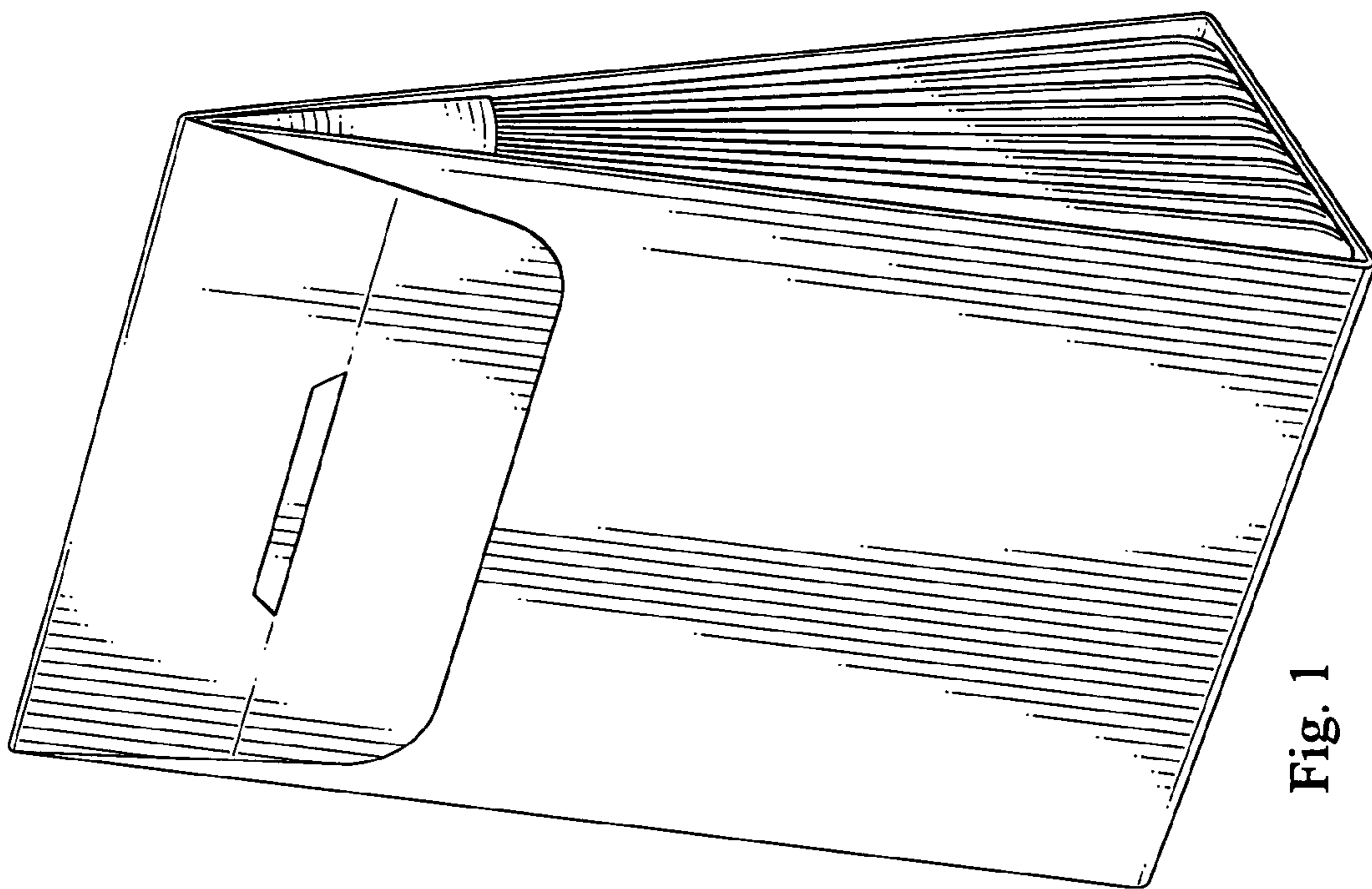


Fig. 1

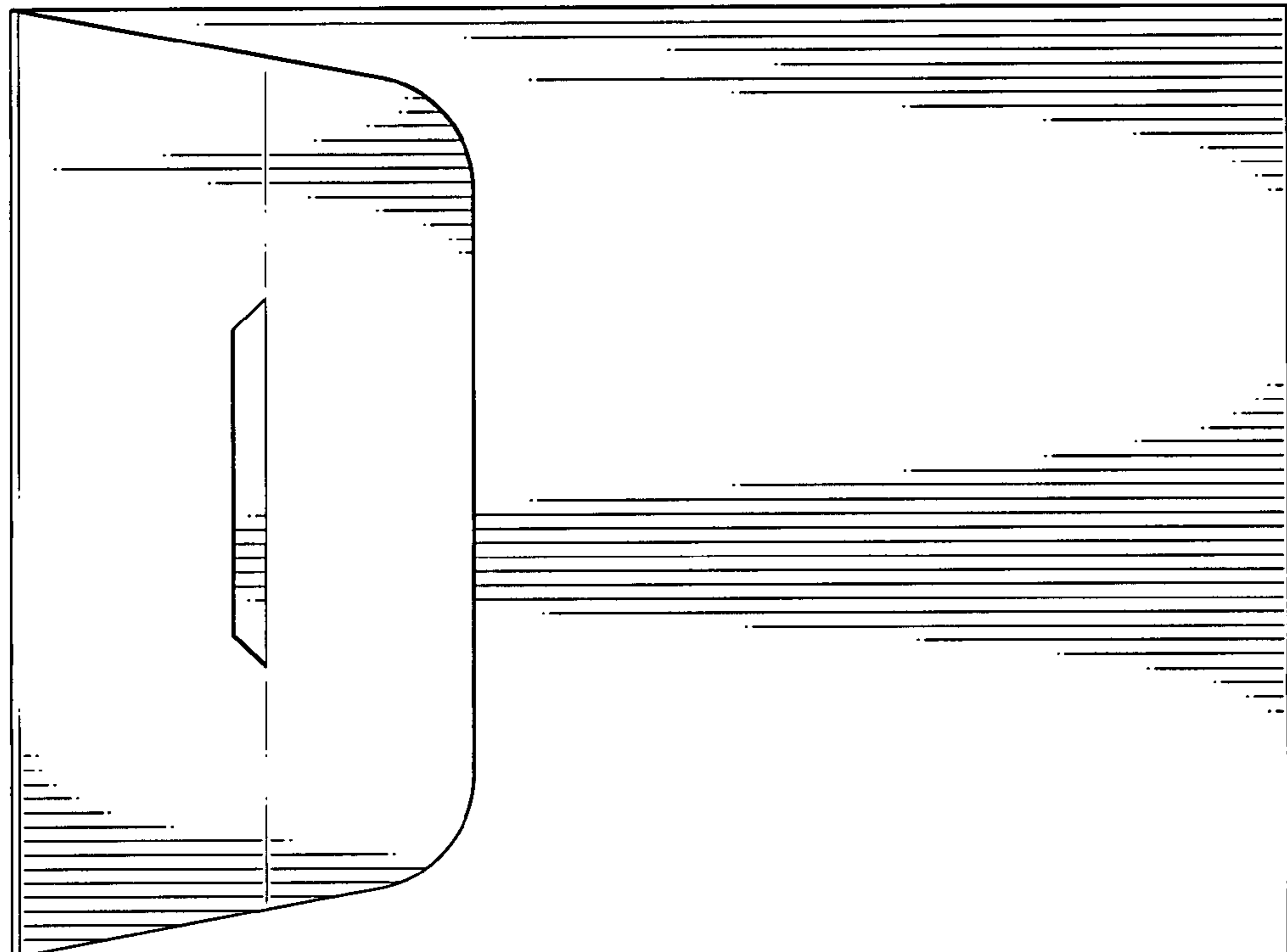


Fig. 2

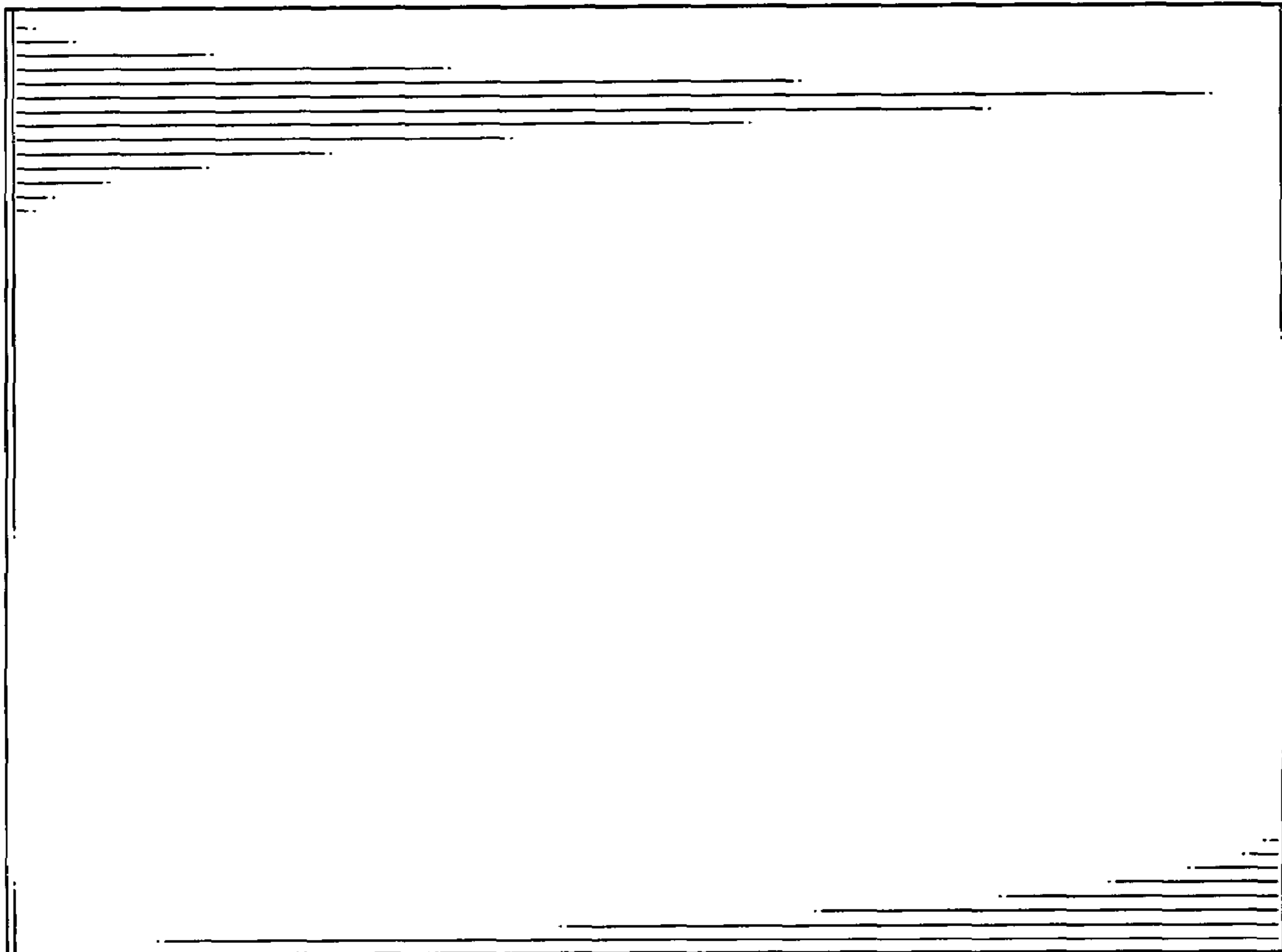


Fig. 3

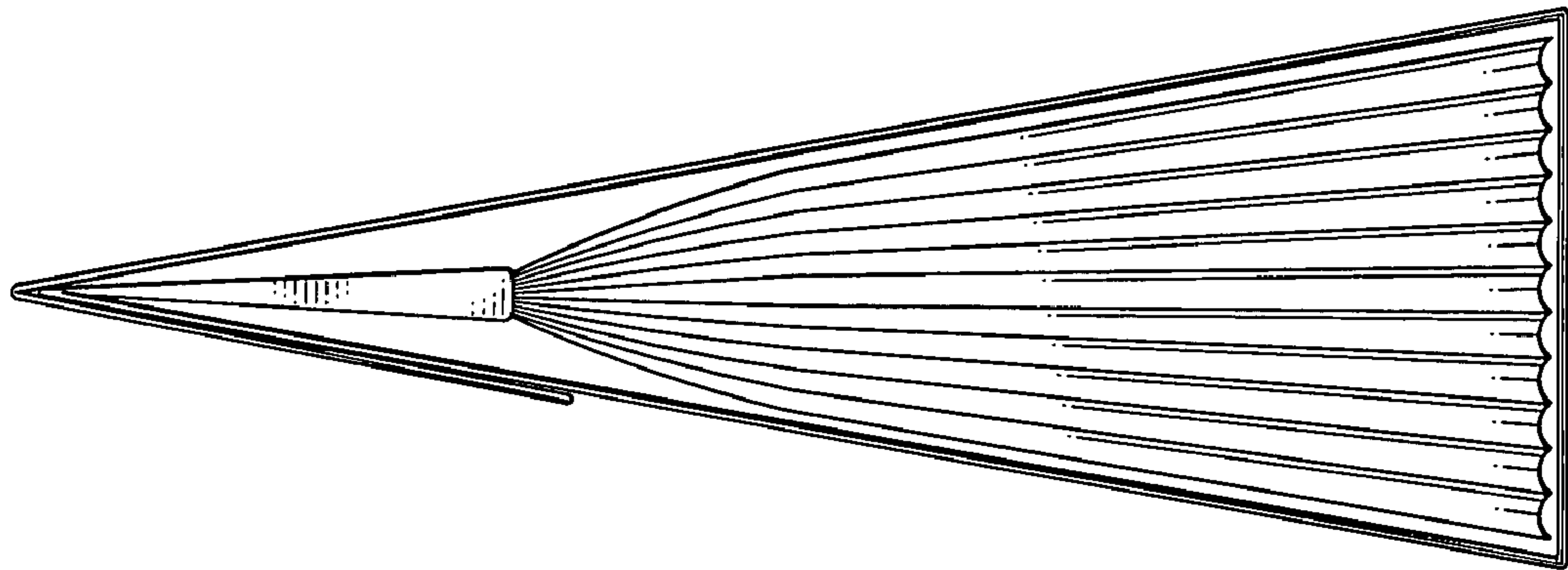


Fig. 4

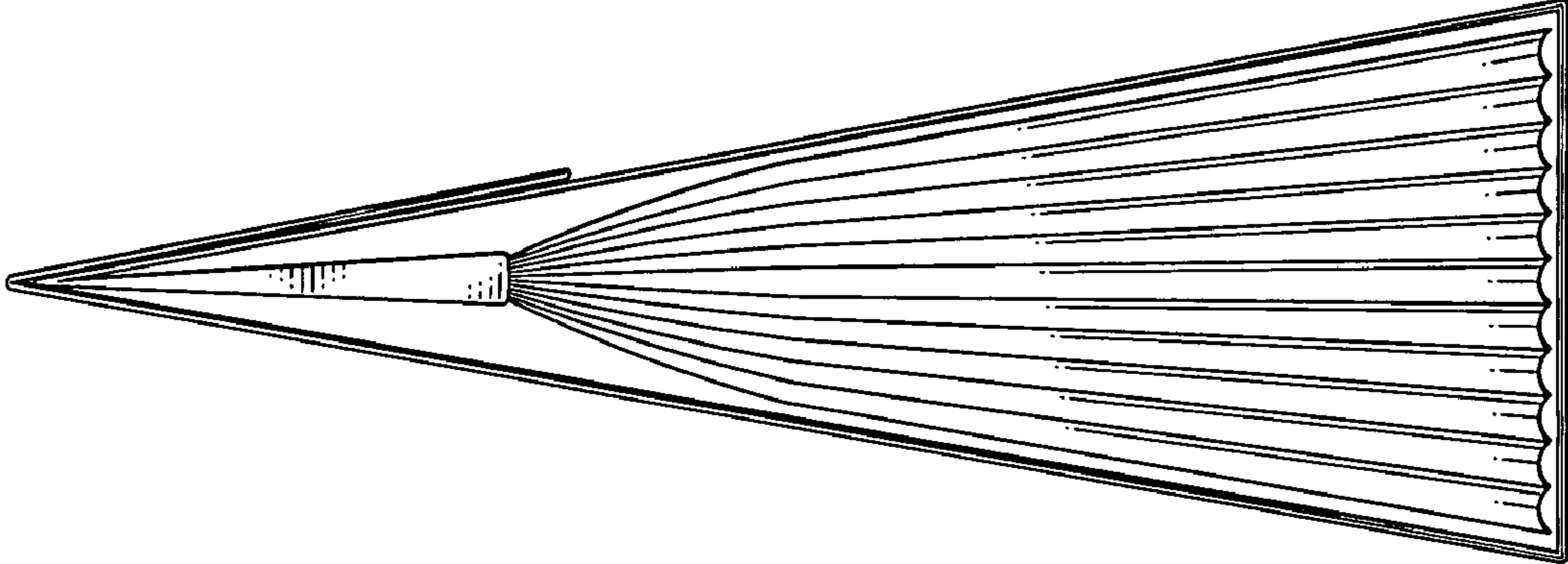


Fig. 5

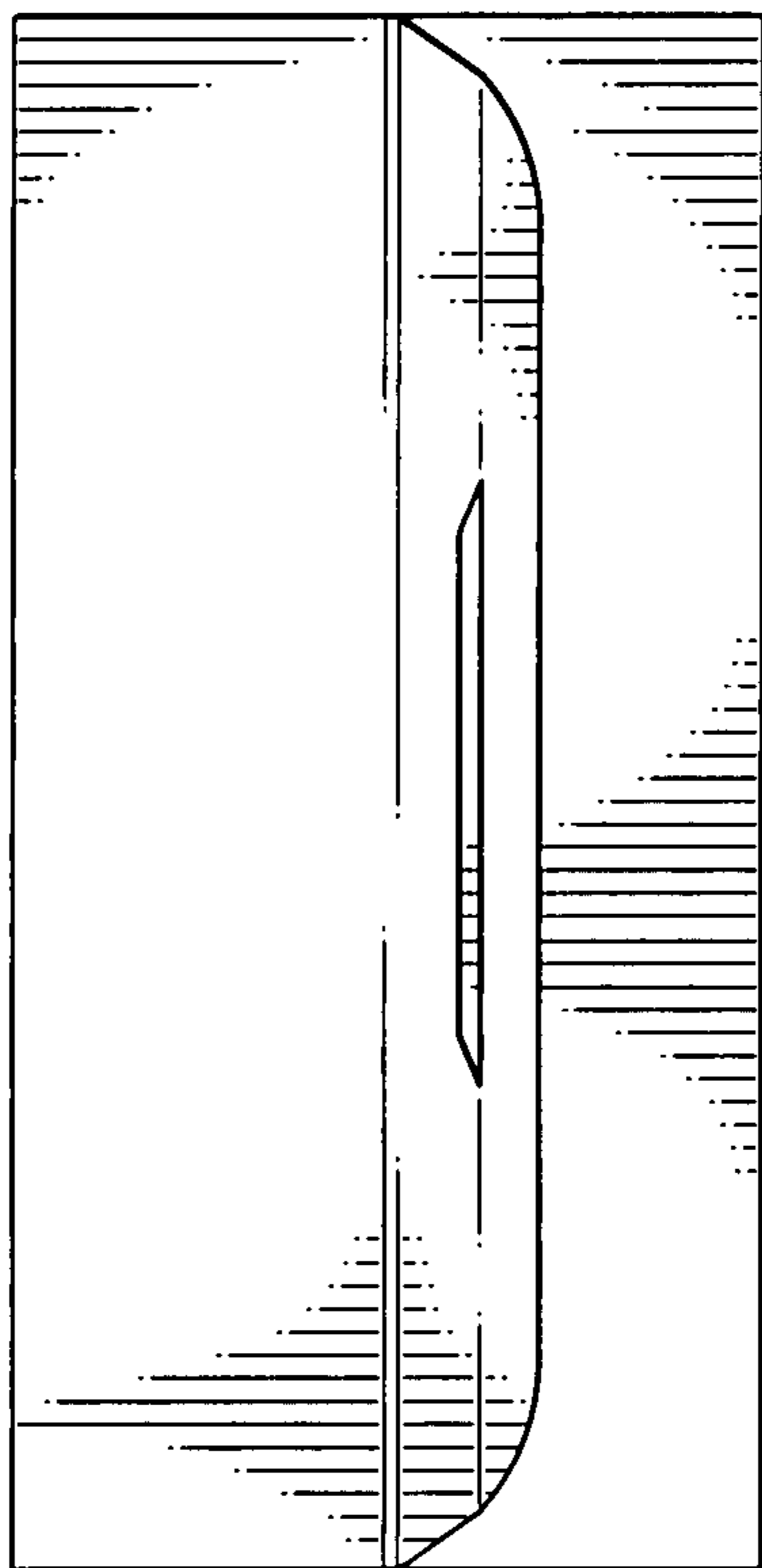


Fig. 6

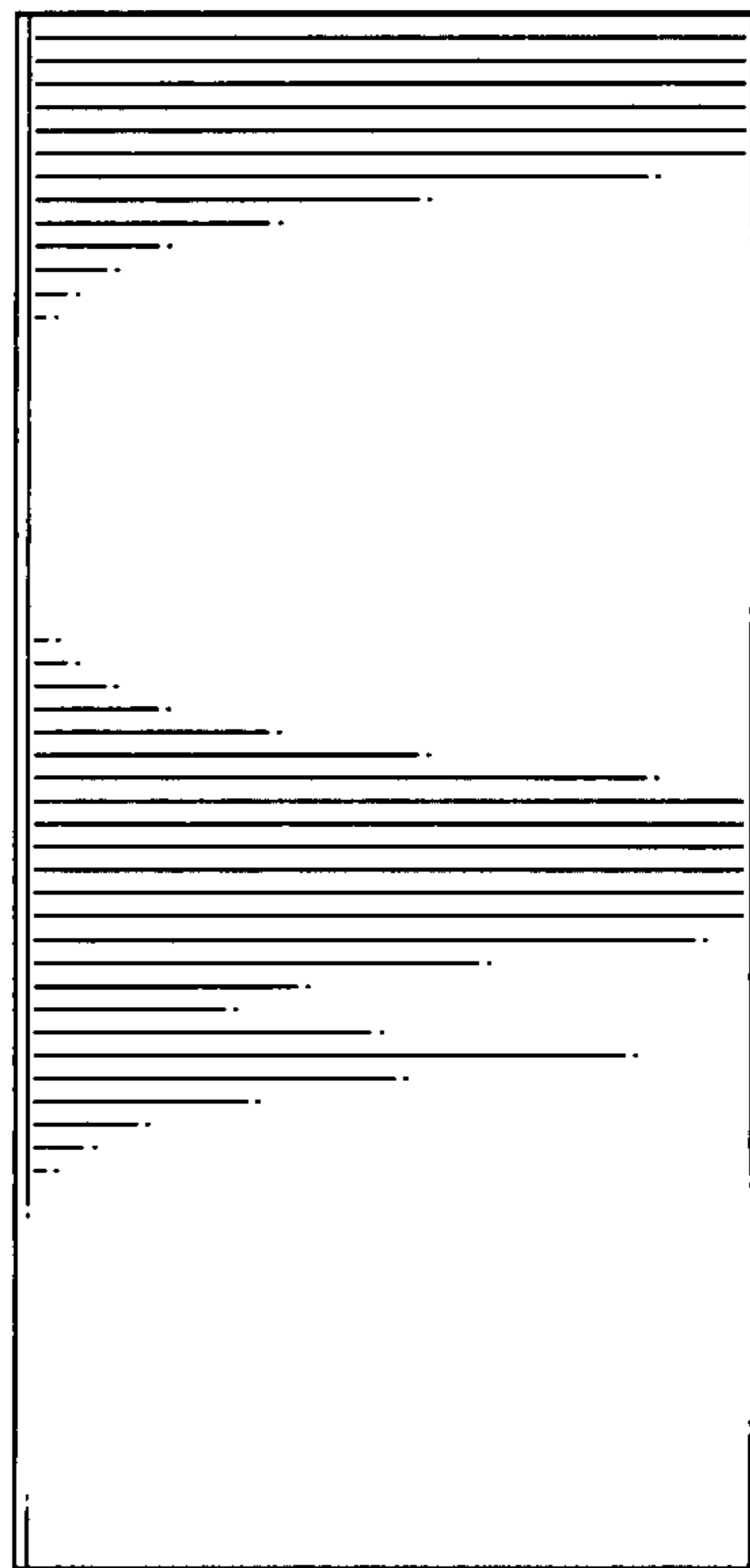


Fig. 7