



US00D597831S

(12) **United States Design Patent**
Clark et al.

(10) **Patent No.:** **US D597,831 S**
(45) **Date of Patent:** **** Aug. 11, 2009**

(54) **FOOD PACKAGE**

FOREIGN PATENT DOCUMENTS

(75) Inventors: **Terry Ann Clark**, Evanston, IL (US);
Michele Marie Dziaba, Mundelein, IL (US)

EP 0 117 673 A2 9/1984
EP 0 276 606 A1 8/1988
EP 0 544 429 A1 6/1993
EP 0 736 463 A1 10/1996

(73) Assignee: **Kraft Foods Global Brands LLC**,
Northfield, IL (US)

(**) Term: **14 Years**

(Continued)

(21) Appl. No.: **29/298,372**

Primary Examiner—Prabhakar Deshmukh

Assistant Examiner—Derrick Holland

(22) Filed: **Dec. 4, 2007**

(74) *Attorney, Agent, or Firm*—Fitch, Even, Tabin & Flannery

(51) **LOC (9) Cl.** **09-03**

(52) **U.S. Cl.** **D9/424; D9/432; D9/425**

(58) **Field of Classification Search** D9/424,
D9/414, 415, 416, 418, 419, 425, 427, 429,
D9/432; D7/359, 601, 602, 629; 206/459.1,
206/484, 484.1, 484.2, 508, 518, 557, 806;
220/241, 242, 376, 556, 668, 781; 229/902,
229/904, 938; 426/106, 115

(57) **CLAIM**

We claim the ornamental design for a food package, as shown and described.

See application file for complete search history.

DESCRIPTION

(56) **References Cited**

U.S. PATENT DOCUMENTS

3,344,974 A * 10/1967 Bostrom 229/123.1
3,371,848 A * 3/1968 Ward et al. 220/270
3,552,634 A 1/1971 Ollier et al.
4,101,047 A 7/1978 Geppert et al.
D251,586 S 4/1979 Levenhagen
4,246,288 A 1/1981 Sanborn, Jr.
D264,791 S 6/1982 Conti
D275,165 S 8/1984 Grusin
4,535,889 A 8/1985 Terauds
4,555,056 A 11/1985 Bernhardt
D282,245 S 1/1986 Yeung
5,012,928 A 5/1991 Proffitt et al.
D327,220 S 6/1992 Proffitt et al.
D332,917 S 2/1993 McDevitt et al.
D334,141 S * 3/1993 Gottofredi D9/425
5,204,130 A 4/1993 McDevitt et al.
D336,850 S * 6/1993 Guillin D9/429
5,356,026 A 10/1994 Andress et al.

FIG. 1 is a perspective view of a food package of our new design;

FIG. 2 is a top plan view of the food package of FIG. 1;

FIG. 3 is a right side elevational view of the food package of FIG. 1;

FIG. 4 is a bottom plan view of the food package of FIG. 1;

FIG. 5 is a left side elevational view of the food package of FIG. 1;

FIG. 6 is a back side elevational view of the food package of FIG. 1; and,

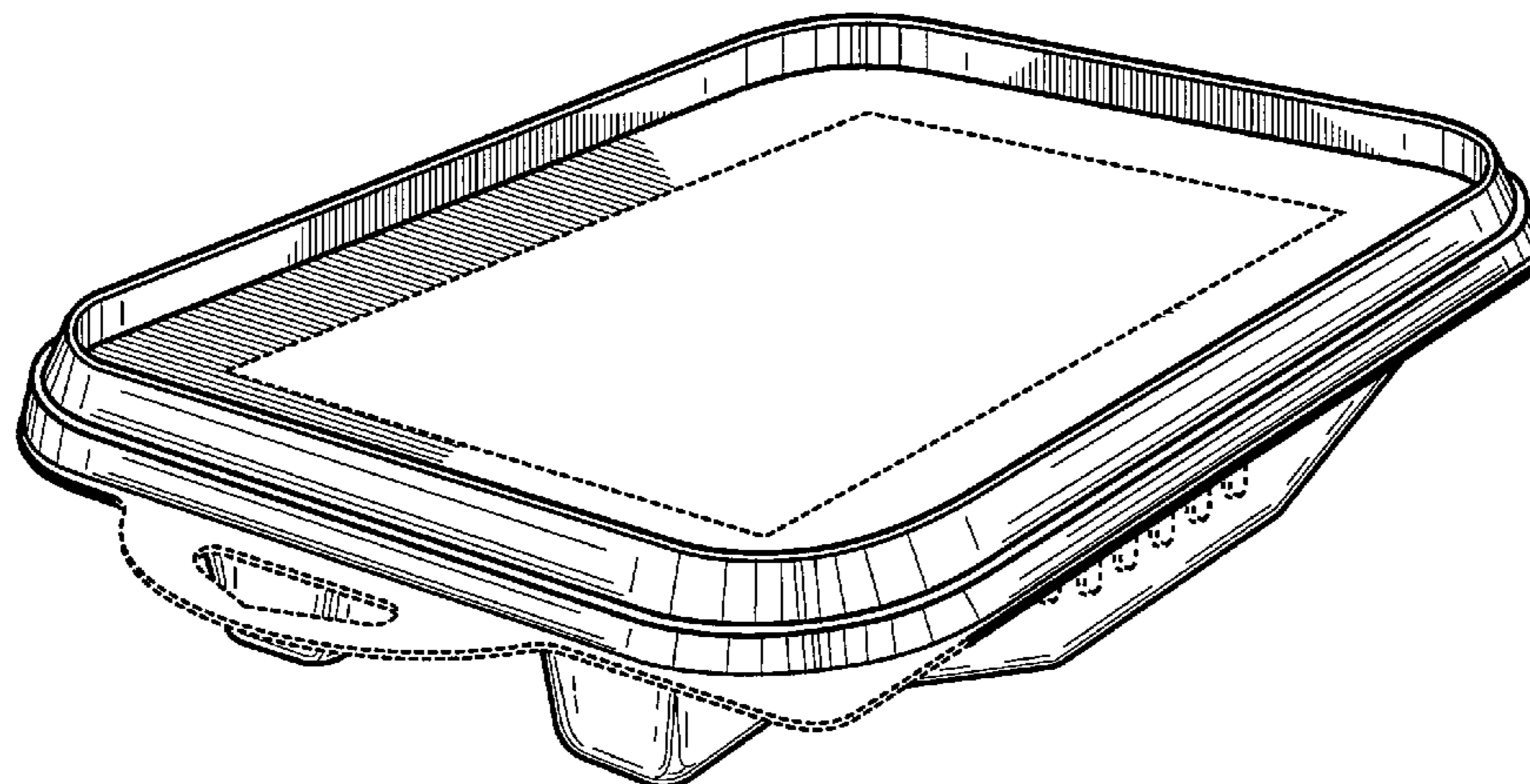
FIG. 7 is a front side elevational view of the food package of FIG. 1.

Portions of the food package shown in broken lines in the figures are for illustrative purposes only and form no part of the claimed design.

The broken line(s) which define the bounds of the claimed design form no part thereof.

(Continued)

1 Claim, 3 Drawing Sheets



US D597,831 S

Page 2

U.S. PATENT DOCUMENTS						
			EP	0 810 162	A1	12/1997
			EP	0 950 614	A1	10/1999
5,377,860	A	1/1995 Littlejohn et al.	EP	1 288 137		3/2003
D378,734	S *	4/1997 Hardy et al. D9/425	JP	07-206020		8/1995
D384,247	S *	9/1997 Smith et al. D7/542	JP	09-095347		4/1997
5,897,011	A *	4/1999 Brilliant et al. 220/4.23	JP	09-226796		9/1997
D416,751	S *	11/1999 Sawyer et al. D7/359	JP	09-226797		9/1997
5,992,679	A	11/1999 Porchia et al.	JP	09-290847		11/1997
6,032,827	A	3/2000 Zettle et al.	JP	10-095419		4/1998
6,056,141	A	5/2000 Navarini et al.	JP	10-250754		9/1998
6,196,404	B1	3/2001 Chen	JP	10-258877		9/1998
6,299,919	B1	10/2001 Knaus et al.	JP	10-264951		10/1998
D482,277	S *	11/2003 Castellanos et al. D9/425	JP	10-278953		10/1998
D495,249	S *	8/2004 Martinson et al. D9/425	JP	11-043163		2/1999
6,923,338	B2	8/2005 Dees et al.	JP	2000-043915		2/2000
D516,914	S	3/2006 Ducharme et al.	JP	2000-043917		2/2000
7,032,773	B2	4/2006 Dees et al.	JP	2000-185758		4/2000
D522,355	S *	6/2006 Castellanos et al. D9/425	JP	2001-097436		4/2001
D526,193	S	8/2006 Heath	JP	2002-068241		3/2002
D528,014	S *	9/2006 Cutts et al. D9/761	JP	2002-166951		6/2002
D531,024	S	10/2006 Feldmeier	JP	2003-081313		3/2003
D533,080	S	12/2006 Darin	JP	2003-252358		9/2003
2003/0116572	A1	6/2003 Klock et al.	JP	2005-075458		3/2005
2006/0124654	A1	6/2006 Cai	JP	2005-200070		7/2005
2008/0118609	A1	5/2008 Harlfinger	JP	2006-052012		2/2006
			WO	99/67148	A1	12/1999
			WO	2006/016779	A1	2/2006
FOREIGN PATENT DOCUMENTS						
EP	0 752 374	A1	1/1997			

* cited by examiner

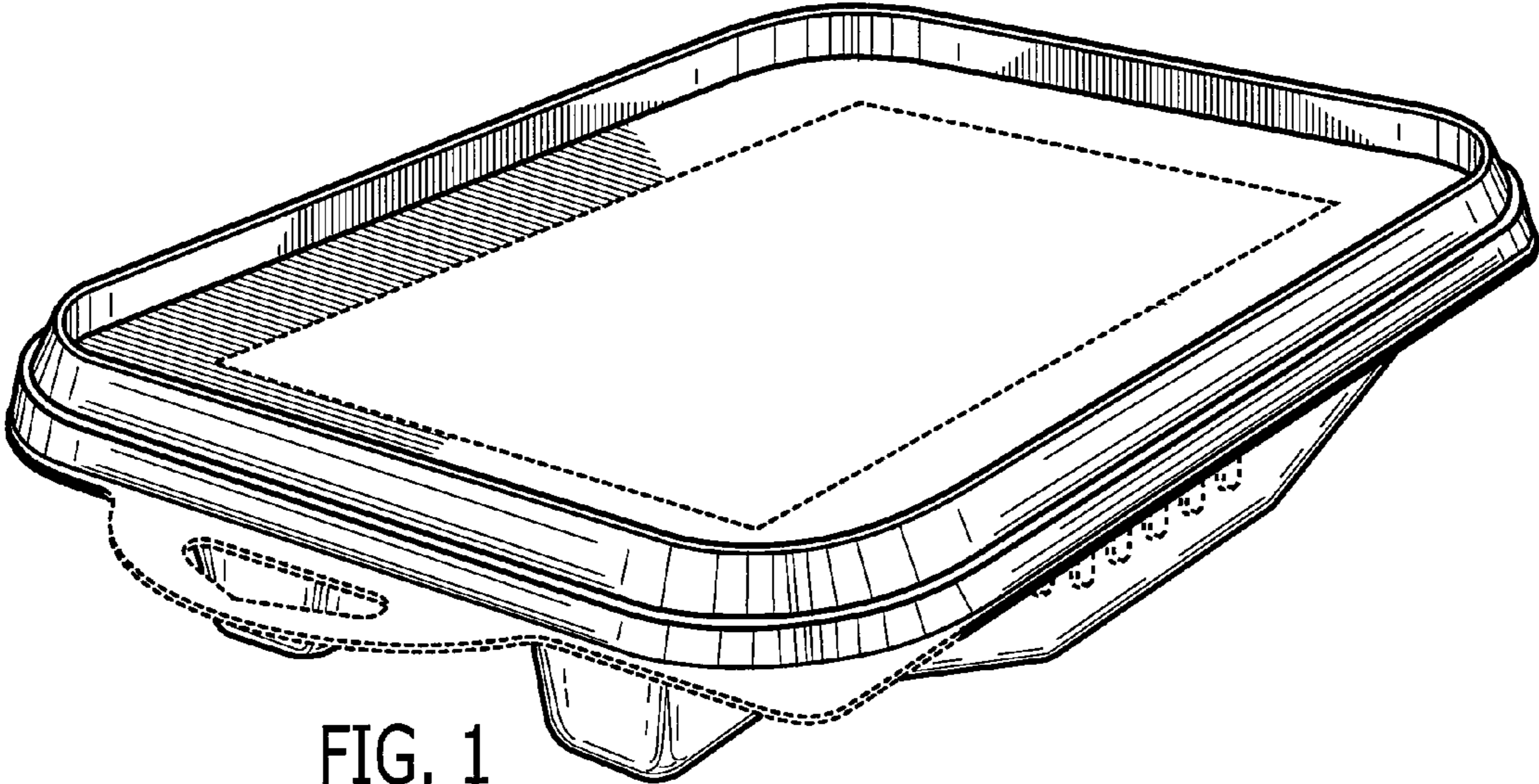


FIG. 1

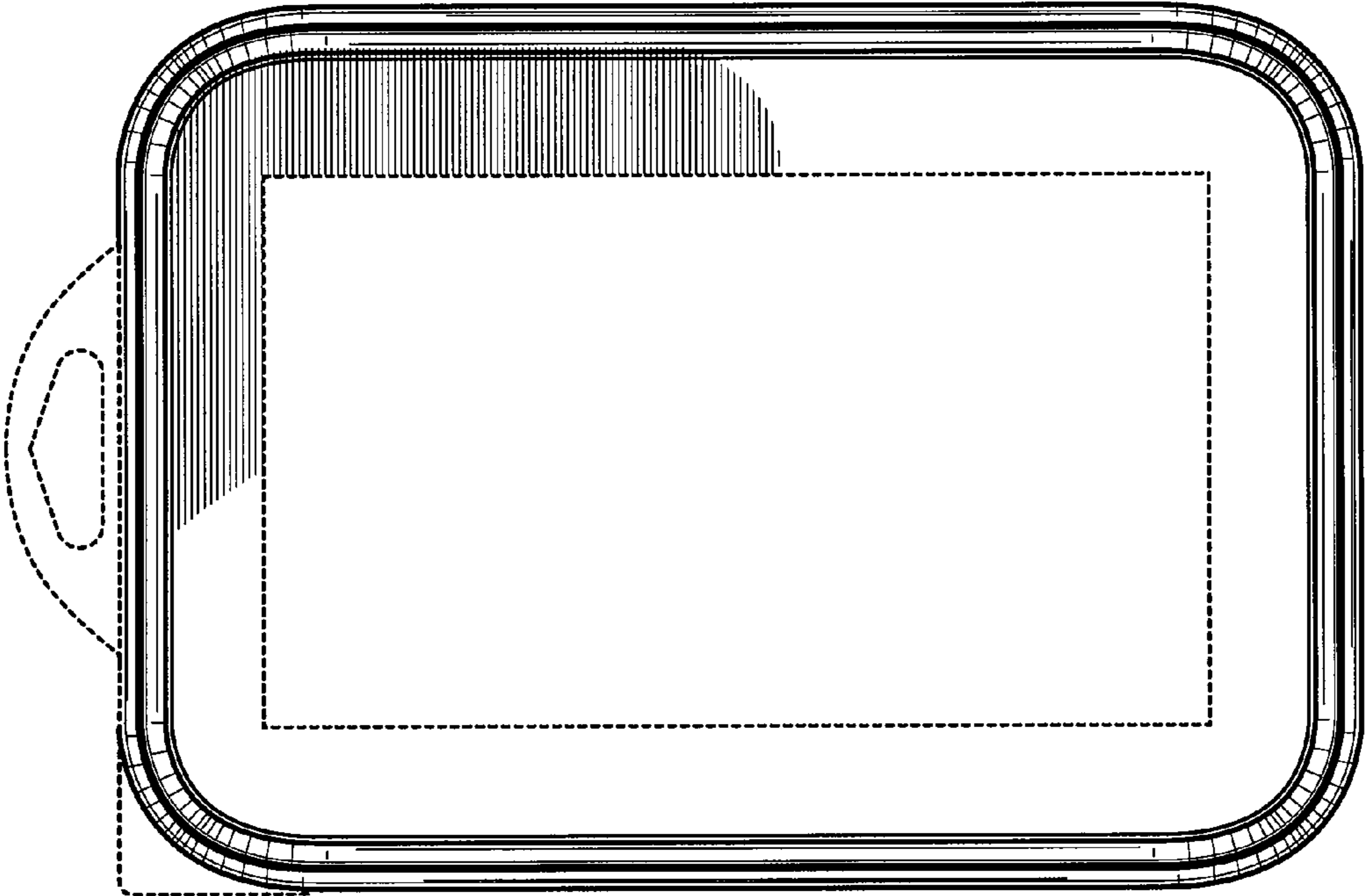


FIG. 2

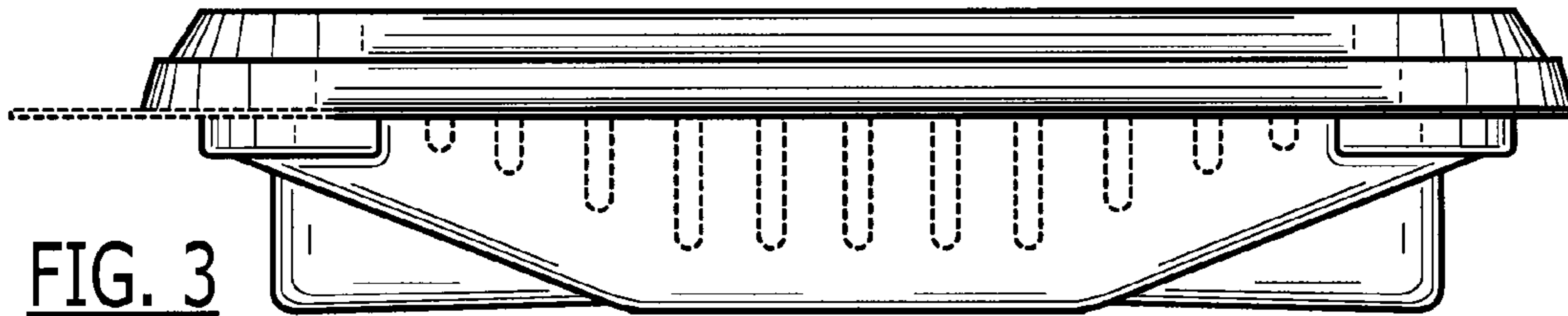


FIG. 3

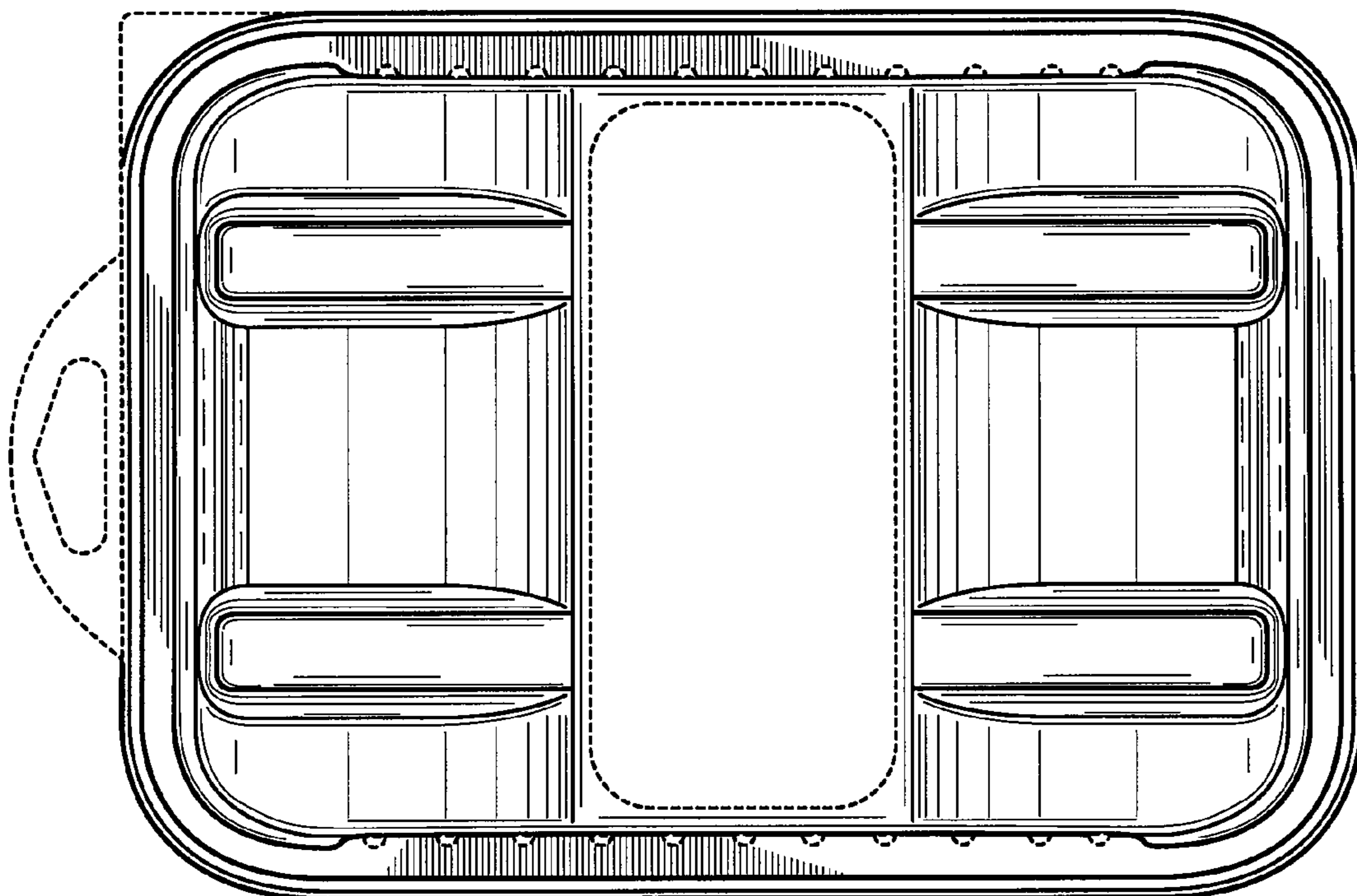


FIG. 4

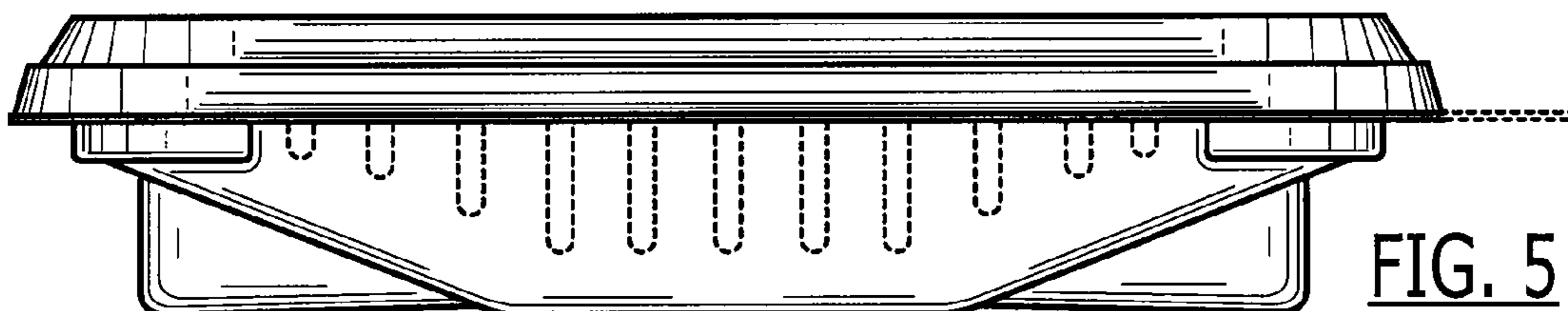


FIG. 5

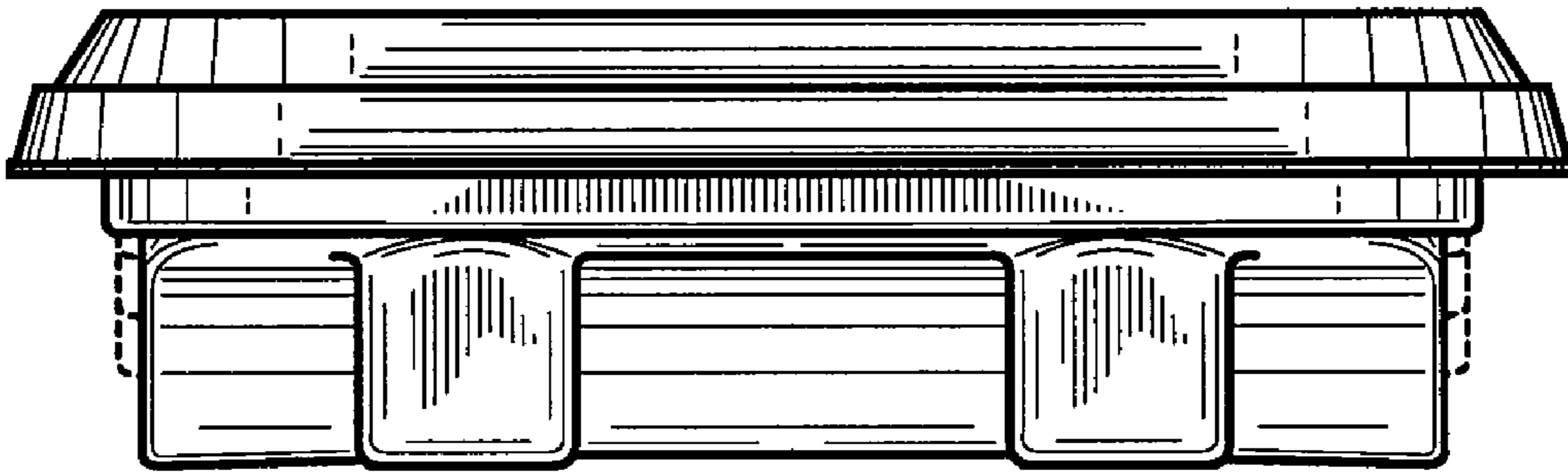


FIG. 6

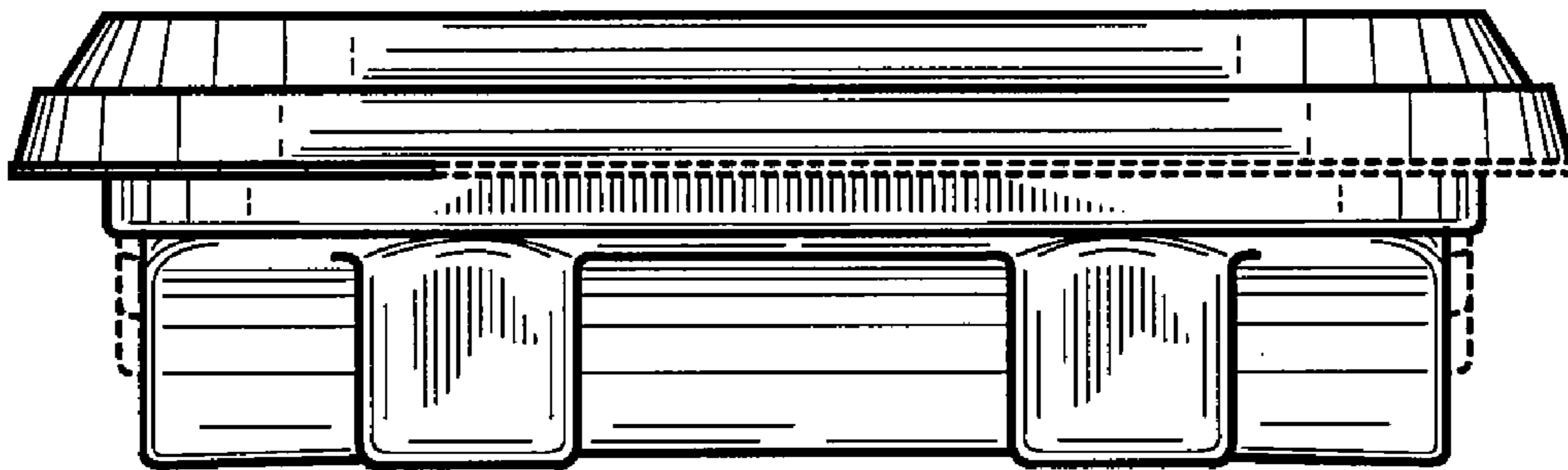


FIG. 7