



US00D597821S

(12) **United States Design Patent**
Nunez et al.

(10) **Patent No.:** **US D597,821 S**

(45) **Date of Patent:** **** Aug. 11, 2009**

(54) **COMPANION ESCUTCHEONS**

D437,771 S * 2/2001 Barnes et al. D8/352
D442,467 S * 5/2001 Alvarado D8/350

(75) Inventors: **Paul Nunez**, Orange, CT (US);
Christopher T. Flaherty, West Haven,
CT (US); **David W. Kaiser**, North
Haven, CT (US); **Richard McAllister**
O’Grady, Southington, CT (US)

(Continued)

Primary Examiner—Stella M Reid
Assistant Examiner—Mark A Goodwin
(74) *Attorney, Agent, or Firm*—DeLio & Peterson, LLC;
Anthony P. DeLio; Thomas E. Ciesco

(73) Assignee: **Sargent Manufacturing Company**,
New Haven, CT (US)

(**) Term: **14 Years**

(21) Appl. No.: **29/272,551**

(22) Filed: **Feb. 9, 2007**

(51) **LOC (9) Cl.** **11-05**

(52) **U.S. Cl.** **D8/350; D8/330**

(58) **Field of Classification Search** D8/350–353,
D8/300, 301, 302, 308, 310, 316, 317–320;
D13/156, 177, 152, 154, 158, 173, 169, 171,
D13/139.1–139.8, 146, 147; D14/159; D25/60;
174/66, 67; 220/241, 3.92, 3.5–3.8, 242;
439/536, 535, 892; 200/303; 248/273; 292/357,
292/336.3; 70/107, 111, 402, 450, 452, DIG. 73
See application file for complete search history.

(56) **References Cited**

U.S. PATENT DOCUMENTS

D199,485	S	*	11/1964	Parriott	D8/350
D214,615	S	*	7/1969	Patriquin	D8/353
D297,805	S	*	9/1988	Ortega et al.	D8/301
D312,565	S	*	12/1990	Abraham et al.	D8/301
4,982,986	A	*	1/1991	Gressett et al.	292/336.3
D319,769	S	*	9/1991	Fleming et al.	D8/301
D365,976	S	*	1/1996	Chiu	D8/330
D393,994	S	*	5/1998	Hankel et al.	D8/302
5,881,586	A	*	3/1999	Shen	70/107
5,987,945	A	*	11/1999	Ruano Aramburu	70/277
D423,326	S	*	4/2000	Moon et al.	D8/353
D423,912	S	*	5/2000	Moon et al.	D8/353
D429,139	S	*	8/2000	Ahn	D8/301
D429,142	S	*	8/2000	Monge et al.	D8/350

(57) **CLAIM**

The ornamental design for “companion escutcheons,” as shown and described.

DESCRIPTION

FIG. 1 is a top front right side perspective view of the inside portion of the companion escutcheons showing our new design separated for ease of illustration;

FIG. 2 is a front elevational view thereof;

FIG. 3 is a left side elevational view thereof;

FIG. 4 is a right side elevational view thereof;

FIG. 5 is a bottom plan view thereof;

FIG. 6 is a top plan view thereof;

FIG. 7 is a top front right side perspective view of the outside portion of the companion escutcheons showing our new design separated for ease of illustration;

FIG. 8 is a front elevational view thereof;

FIG. 9 is a left side elevational view thereof;

FIG. 10 is a right side elevational view thereof;

FIG. 11 is a bottom plan view thereof;

FIG. 12 is a top plan view thereof;

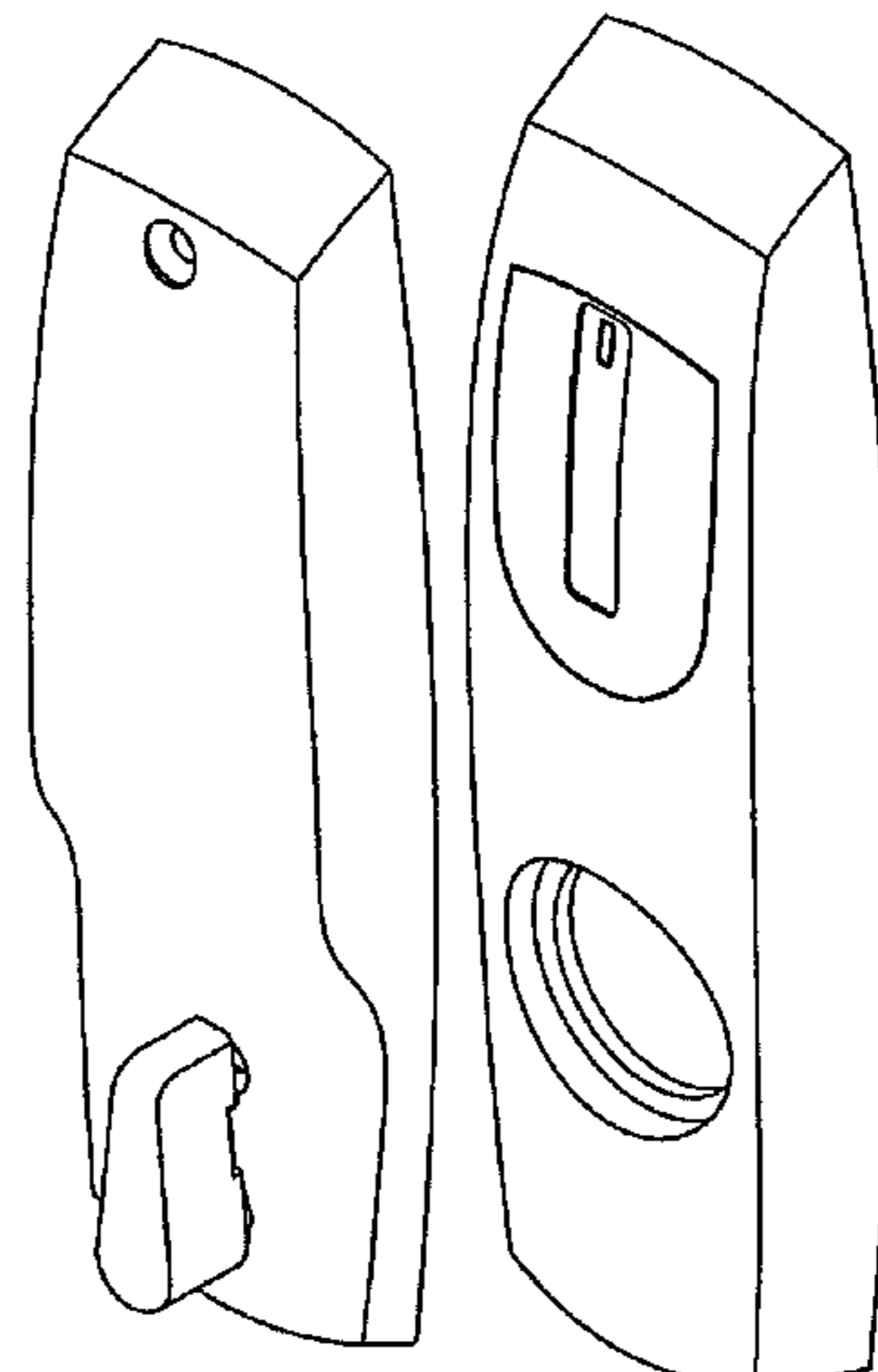
FIG. 13 is a left side elevational view of the companion escutcheons shown together as a unit;

FIG. 14 is a right side elevational view thereof;

FIG. 15 is a bottom plan view thereof; and,

FIG. 16 is a top plan view thereof.

1 Claim, 5 Drawing Sheets



US D597,821 S

Page 2

U.S. PATENT DOCUMENTS

D470,033 S *	2/2003	Fleury et al.	D8/302	D488,703 S *	4/2004	Denys	D8/352
D471,079 S *	3/2003	Ellis et al.	D8/350	D488,995 S *	4/2004	Denys	D8/352
D471,422 S *	3/2003	Ellis et al.	D8/301	6,733,050 B1 *	5/2004	Yao	292/169
D471,432 S *	3/2003	Ellis et al.	D8/350	D494,841 S *	8/2004	Moon et al.	D8/352
D471,786 S *	3/2003	Ellis et al.	D8/350	D518,354 S *	4/2006	Veltz	D8/302
D472,130 S *	3/2003	Ellis et al.	D8/350	D552,966 S *	10/2007	Roberts et al.	D8/350
D472,794 S *	4/2003	LaPlume et al.	D8/350	D552,967 S *	10/2007	Roberts et al.	D8/350
D474,103 S *	5/2003	Kaiser et al.	D8/350	2002/0095958 A1 *	7/2002	Bates et al.	70/107
6,598,439 B1 *	7/2003	Chen	70/423	2004/0040352 A1 *	3/2004	Yu et al.	70/107
6,615,629 B2 *	9/2003	Bates et al.	70/434	2006/0037373 A1 *	2/2006	Case et al.	70/278.1

* cited by examiner

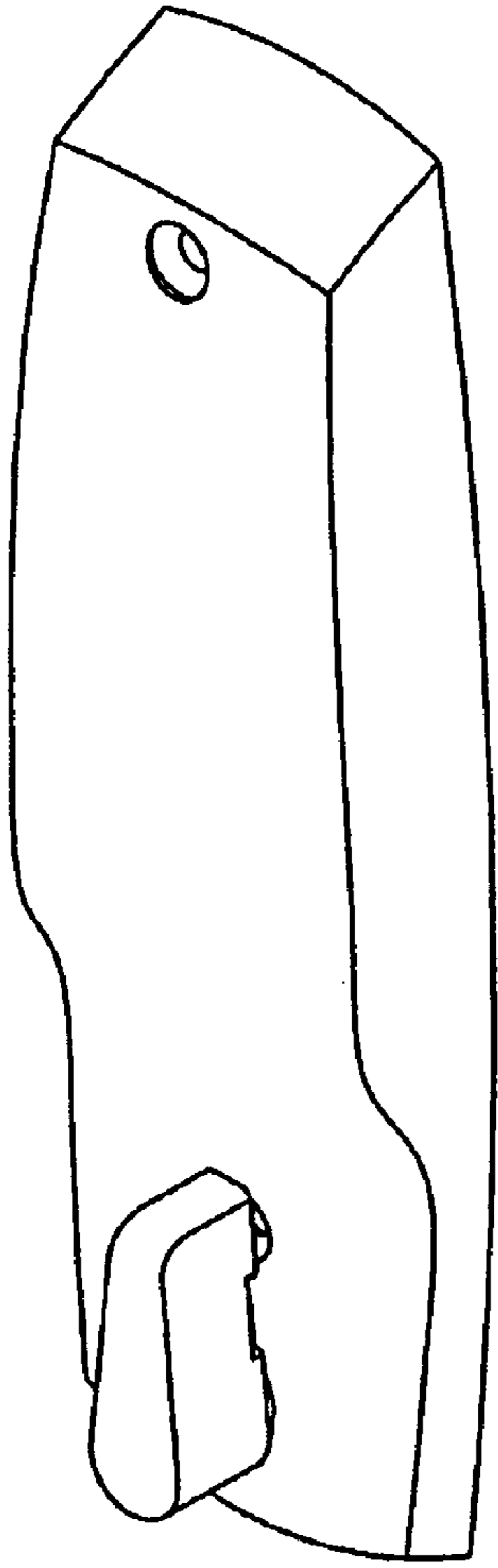


FIG. 1

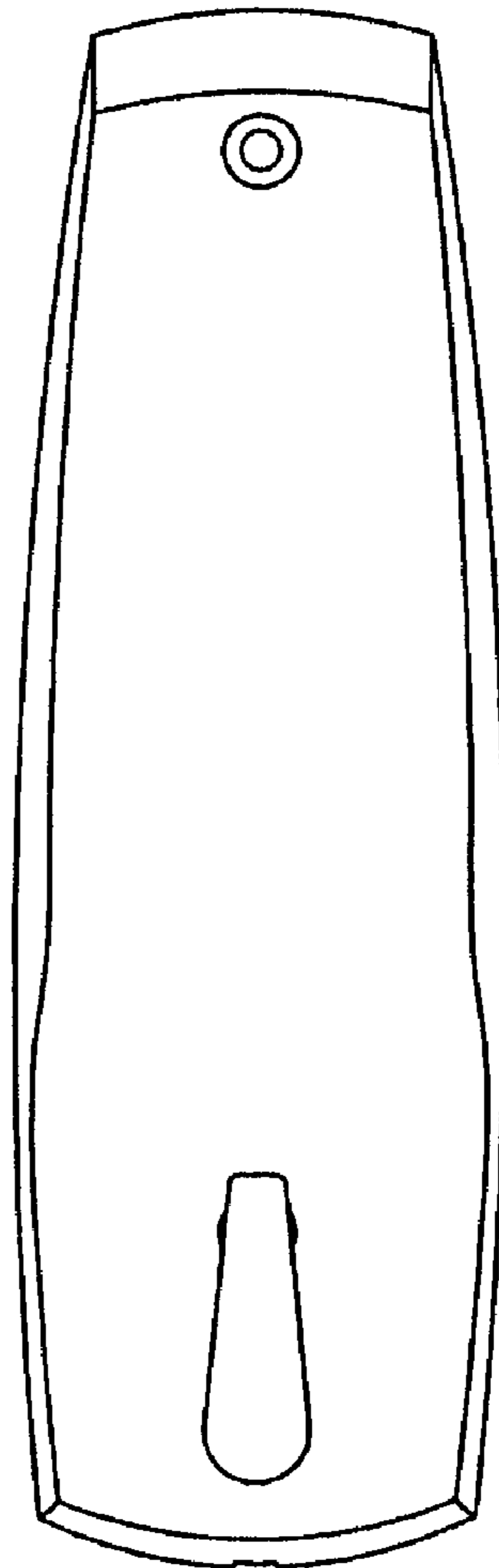


FIG. 2

FIG. 3

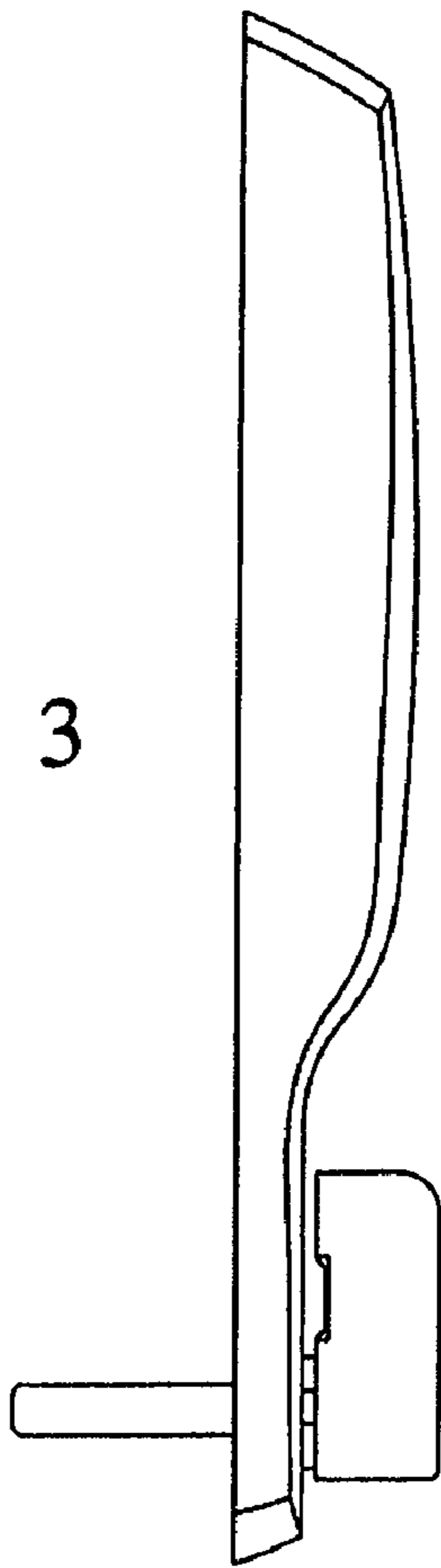


FIG. 4

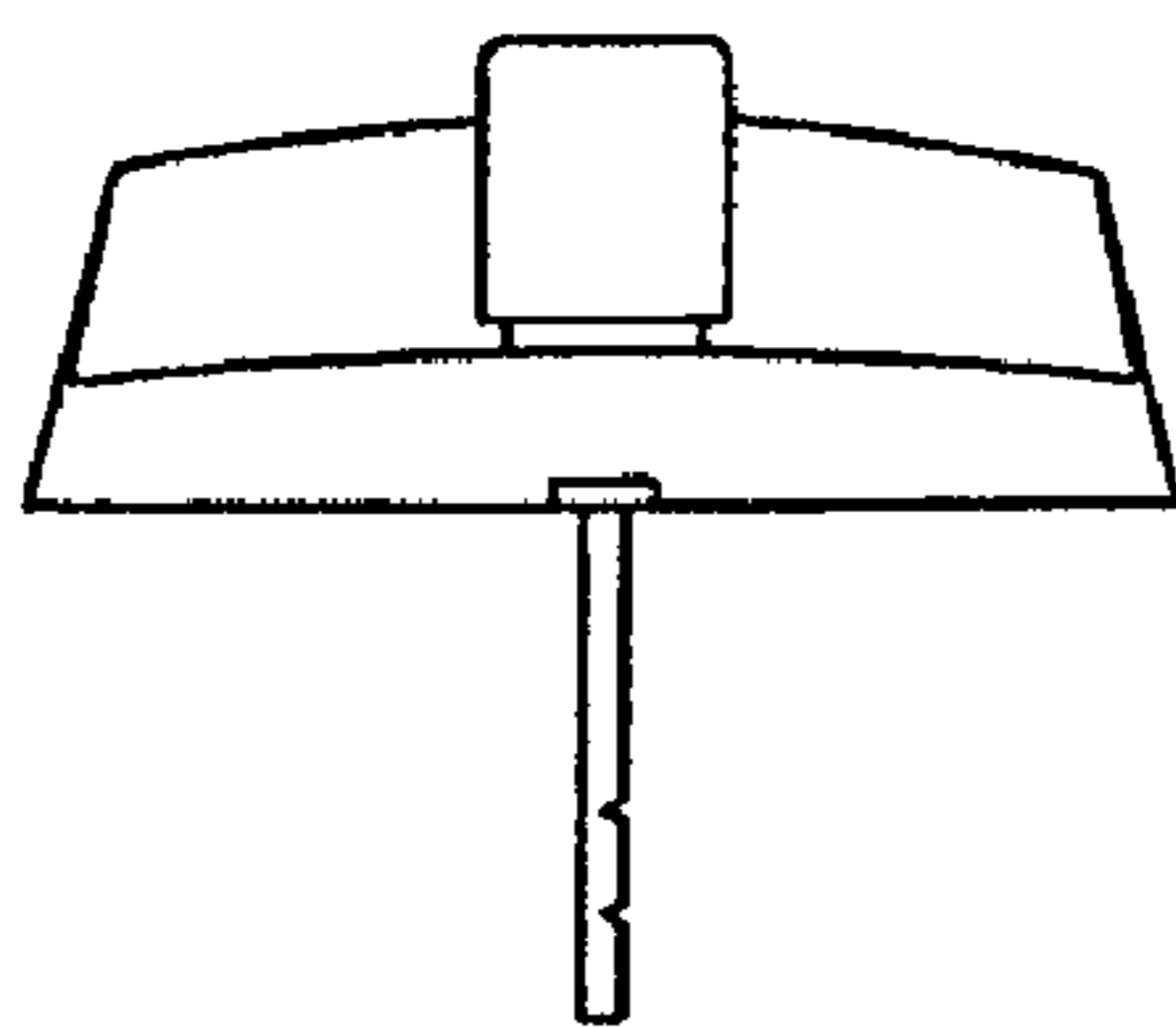
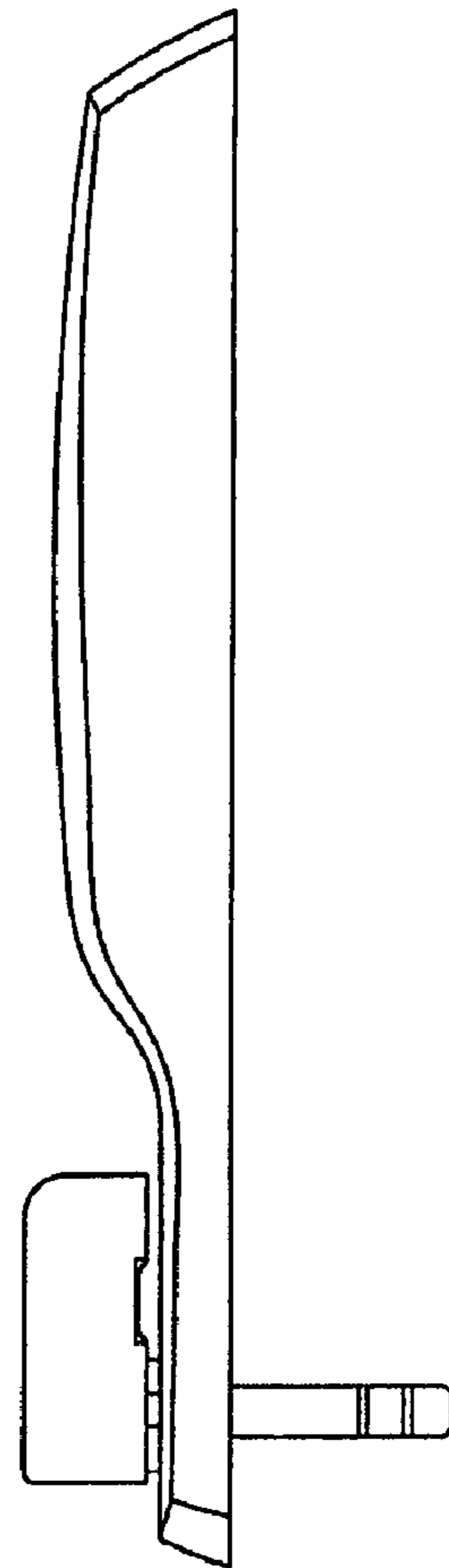


FIG. 5

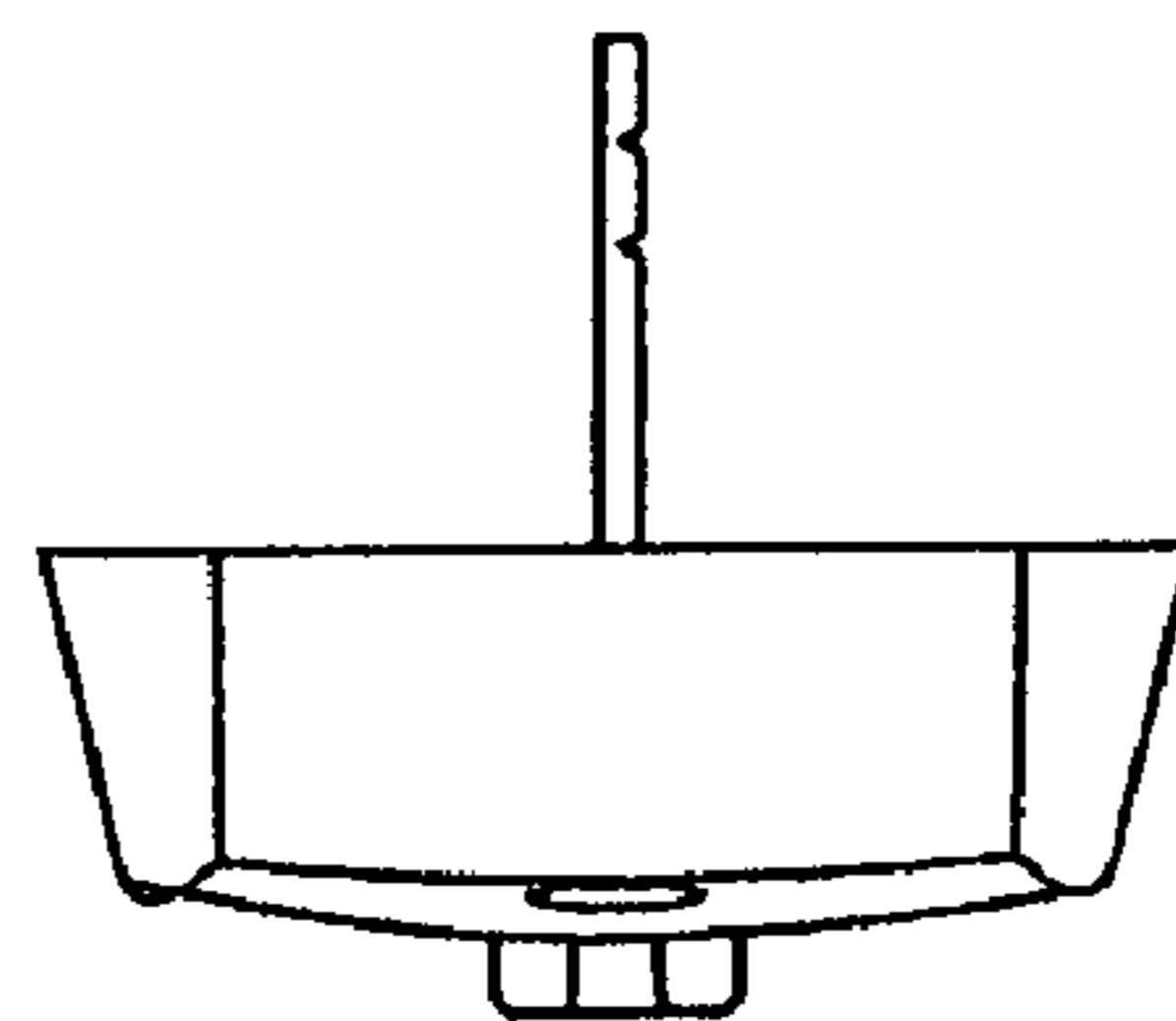


FIG. 6

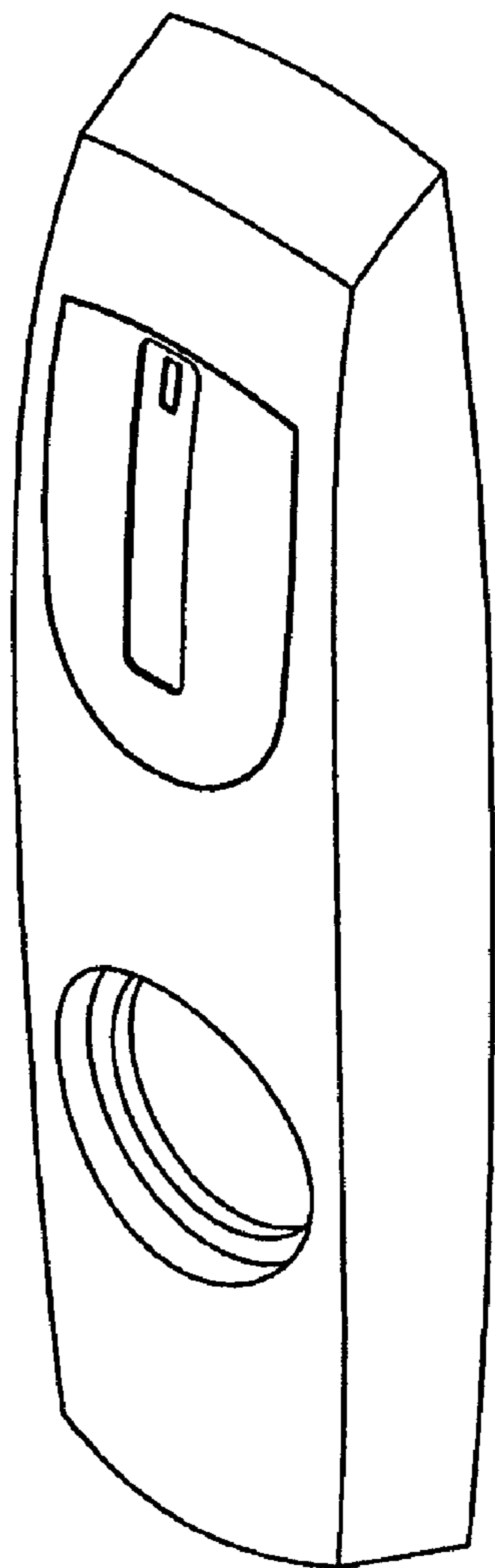


FIG. 7

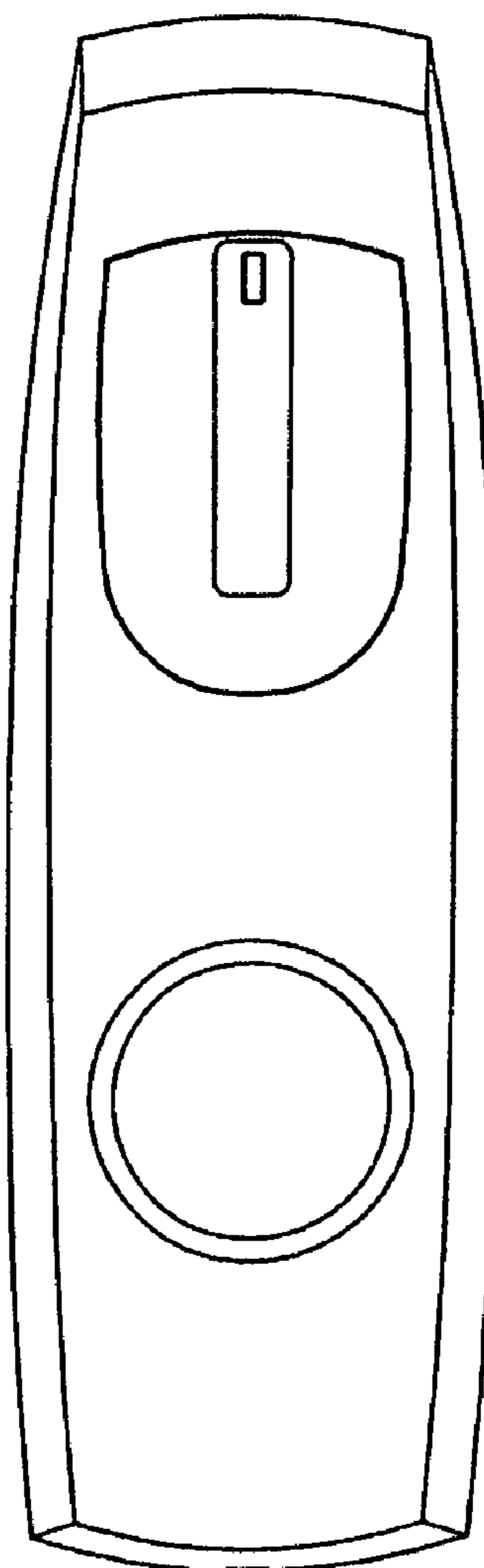


FIG. 8

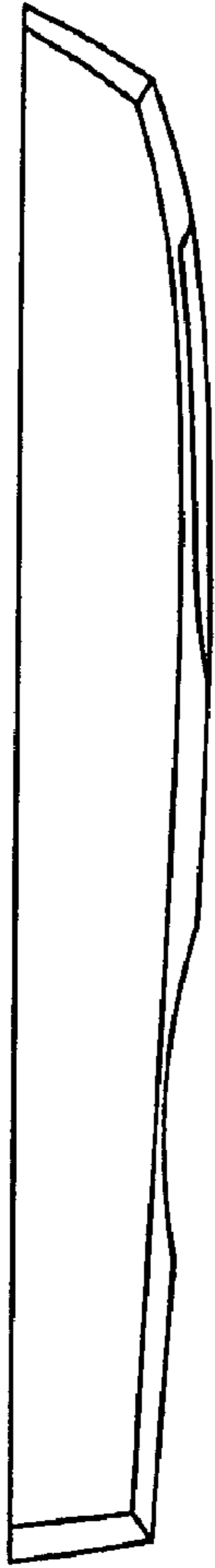


FIG. 9



FIG. 10

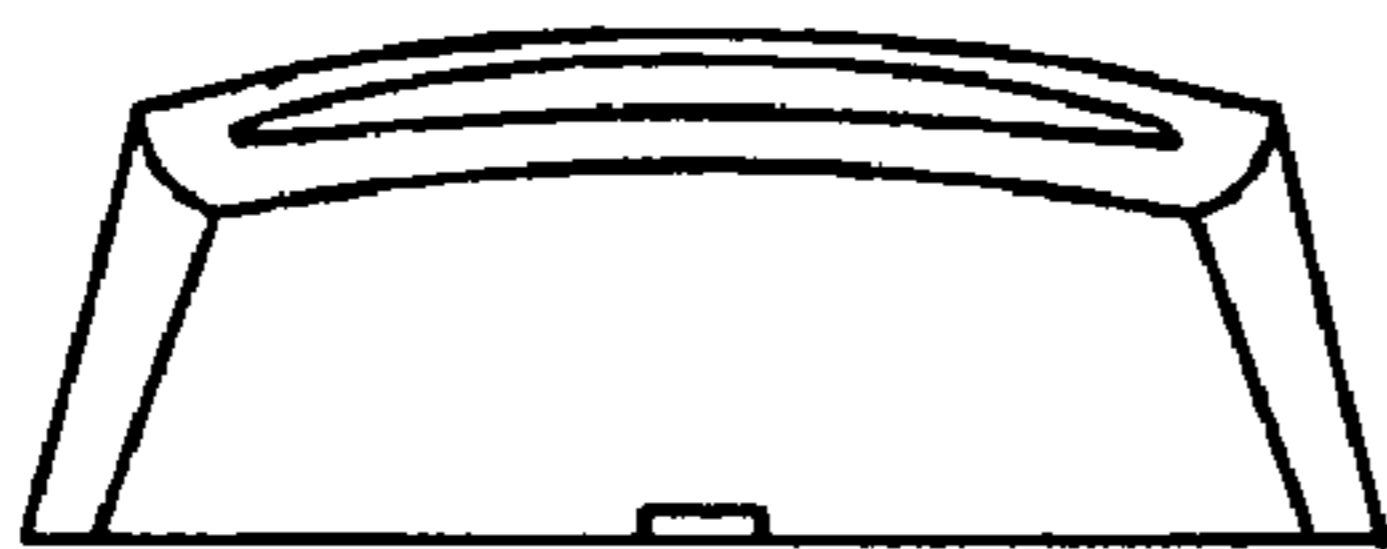


FIG. 11

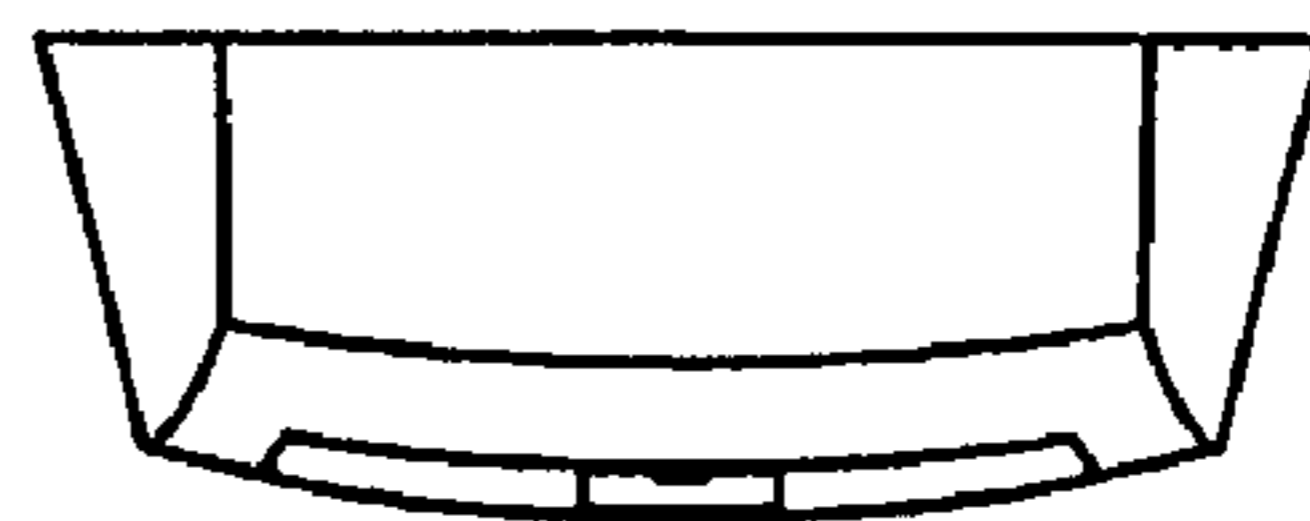


FIG. 12

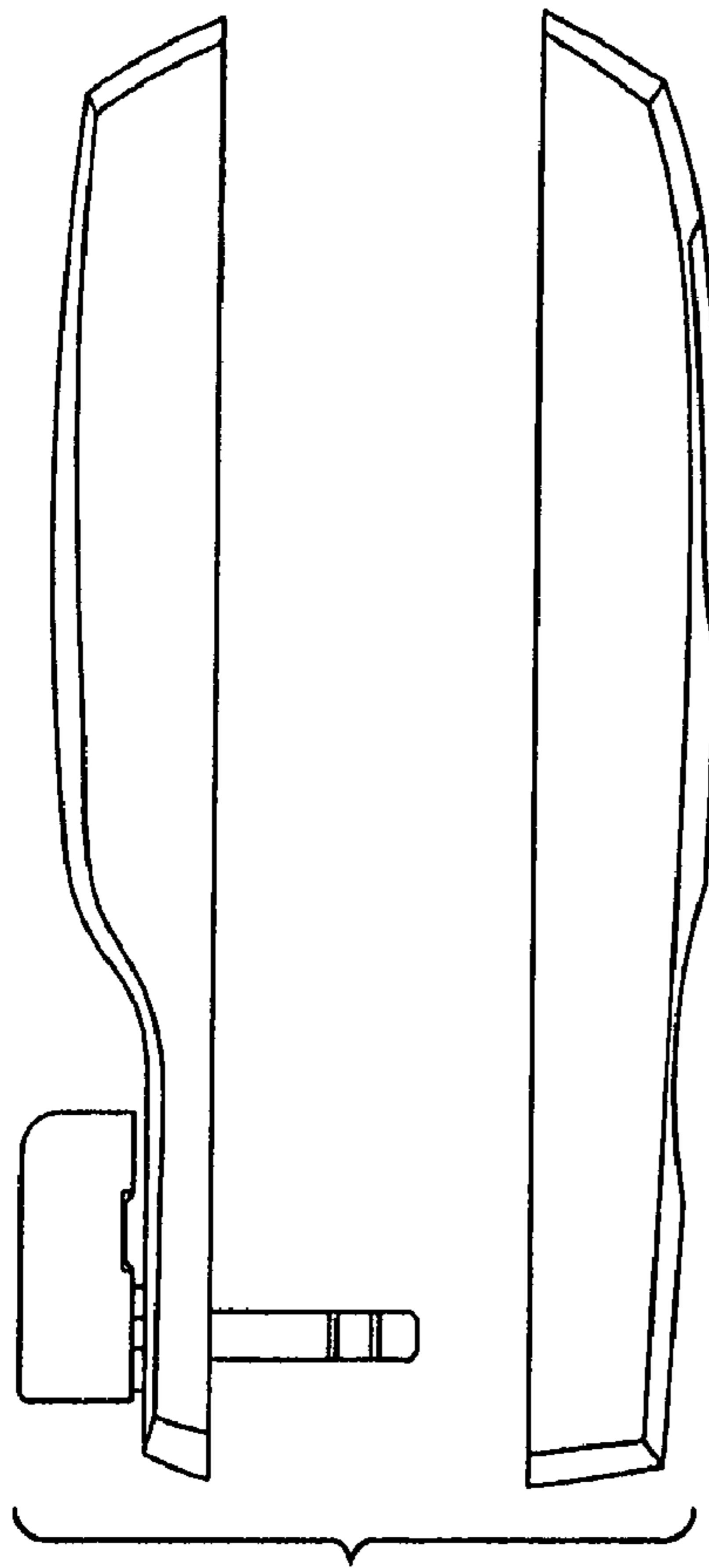


FIG. 13

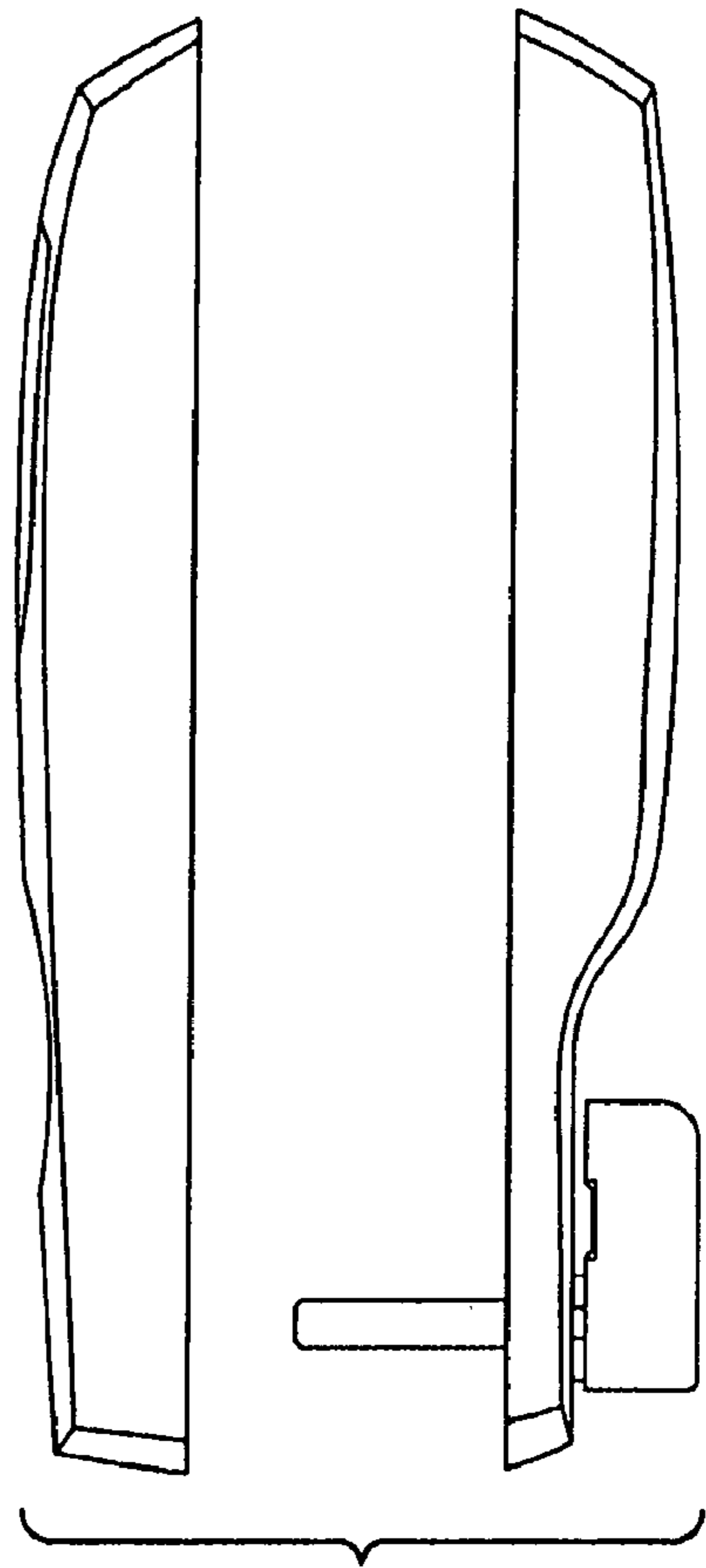


FIG. 14

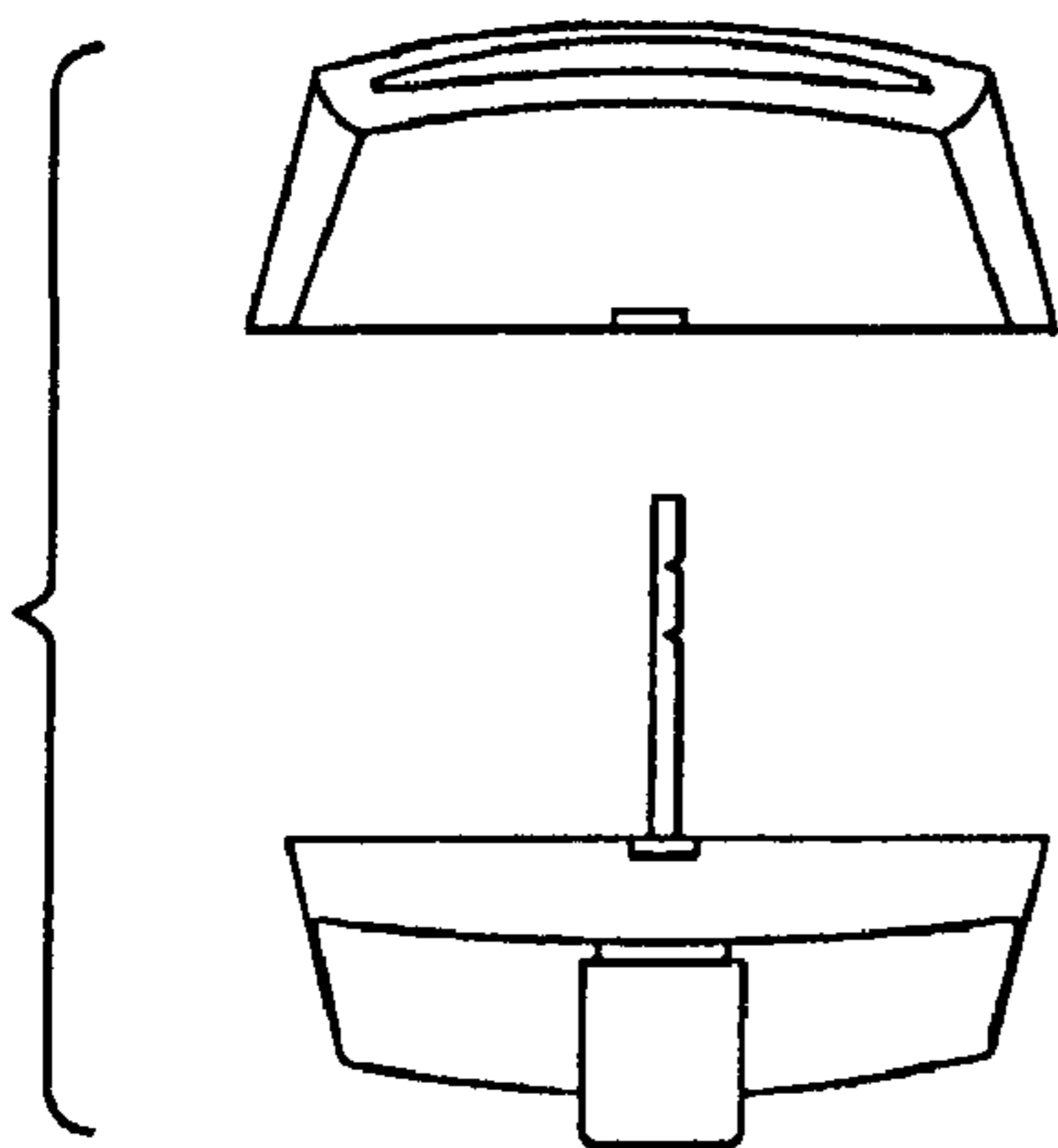


FIG. 15

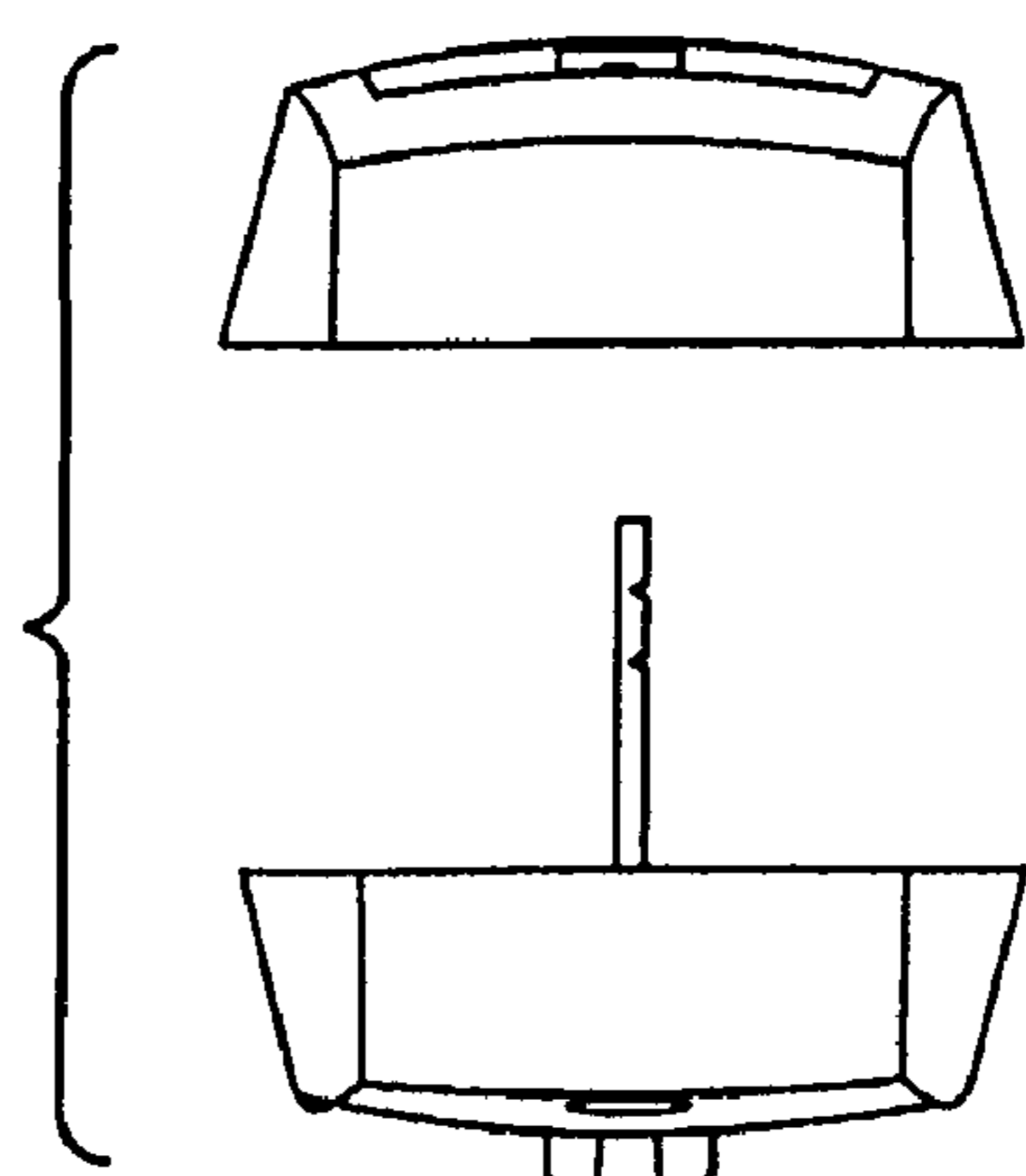


FIG. 16