



US00D597818S

(12) **United States Design Patent**
Zhang

(10) **Patent No.:** **US D597,818 S**

(45) **Date of Patent:** **** Aug. 11, 2009**

(54) **KNOB**

(75) Inventor: **Zhukai Zhang**, Chicago, IL (US)

(73) Assignee: **Liberty Hardware Mfg. Corp.**,
Winston-Salem, NC (US)

(**) Term: **14 Years**

(21) Appl. No.: **29/321,910**

(22) Filed: **Jul. 25, 2008**

(51) **LOC (9) Cl.** **08-08**

(52) **U.S. Cl.** **D8/310**

(58) **Field of Classification Search** D8/305,
D8/307, 310, DIG. 1, DIG. 2, 378, 379; D6/578,
D6/580; D7/393, 395; D23/250, 252; D9/453;
16/110.1, 417, 412, 414; 4/675, 678; 292/336.3,
292/347, 348; 74/543, 553

See application file for complete search history.

(56) **References Cited**

U.S. PATENT DOCUMENTS

D47,069 S *	3/1915	Burns	D8/307
D66,978 S *	4/1925	Martin	D8/307
D104,262 S *	4/1937	Hewes	D9/453
D227,251 S *	6/1973	Botefur	D23/250
D265,233 S *	6/1982	Ronvik	D23/250
D267,187 S *	12/1982	Ronvik	D23/250

D279,403 S *	6/1985	Doman	D23/250
D287,270 S *	12/1986	Yost	D23/250
D290,494 S *	6/1987	Dragos	D23/250
D337,151 S *	7/1993	Yost	D23/250
D376,192 S *	12/1996	Bavoso	D23/250
D383,523 S *	9/1997	Doughty et al.	D23/250
D415,257 S *	10/1999	Abel	D23/250
D526,883 S *	8/2006	Gilbert	D8/312
D537,319 S *	2/2007	Fields	D8/310
D545,665 S *	7/2007	Ricereto et al.	D8/310
D558,557 S *	1/2008	Jou	D8/310
D568,712 S *	5/2008	Ricereto	D8/305

* cited by examiner

Primary Examiner—Paula Greene

(74) *Attorney, Agent, or Firm*—Edgar A. Zarins; Nirav D. Parikh

(57) **CLAIM**

The ornamental design for a knob, as shown and described.

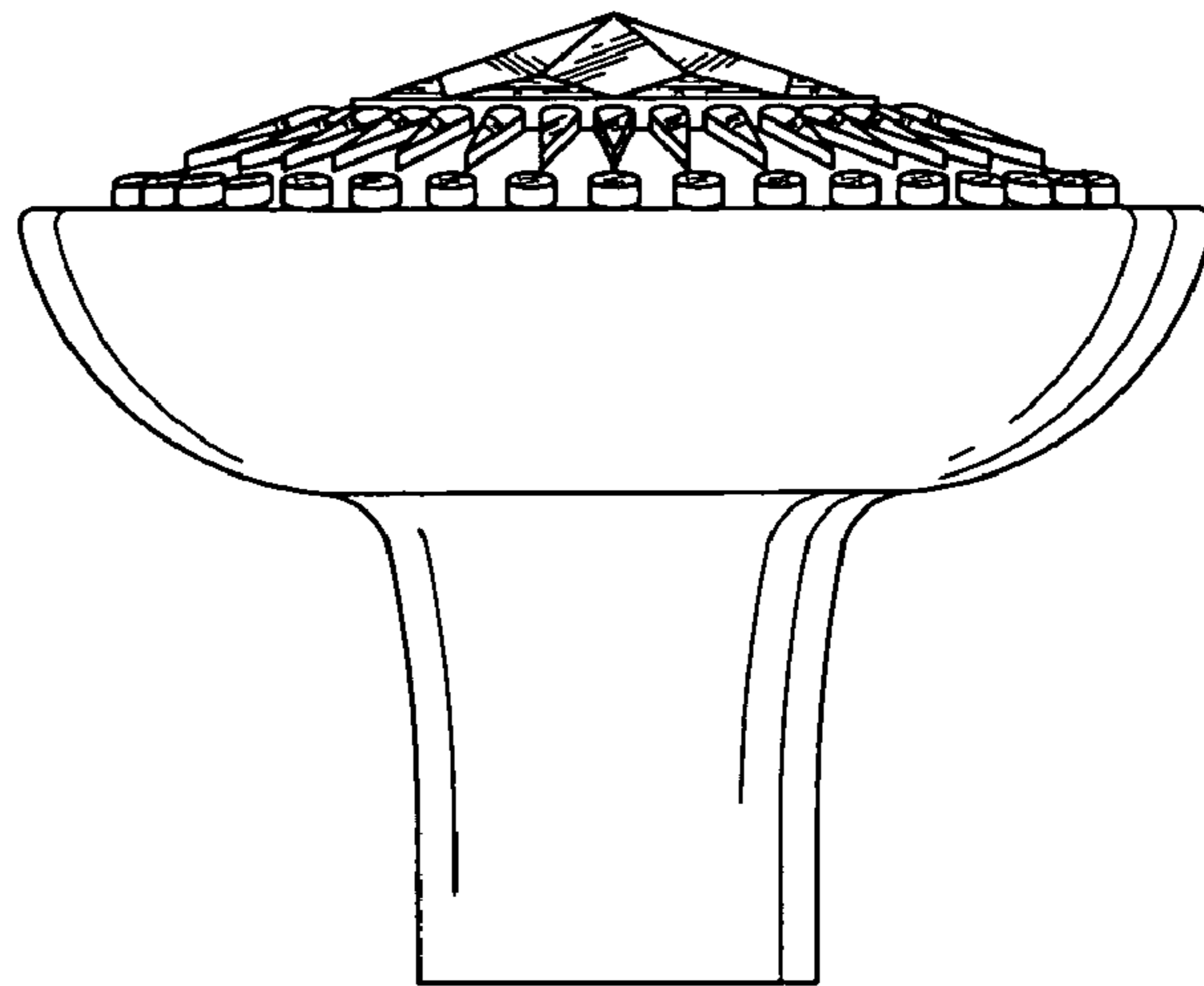
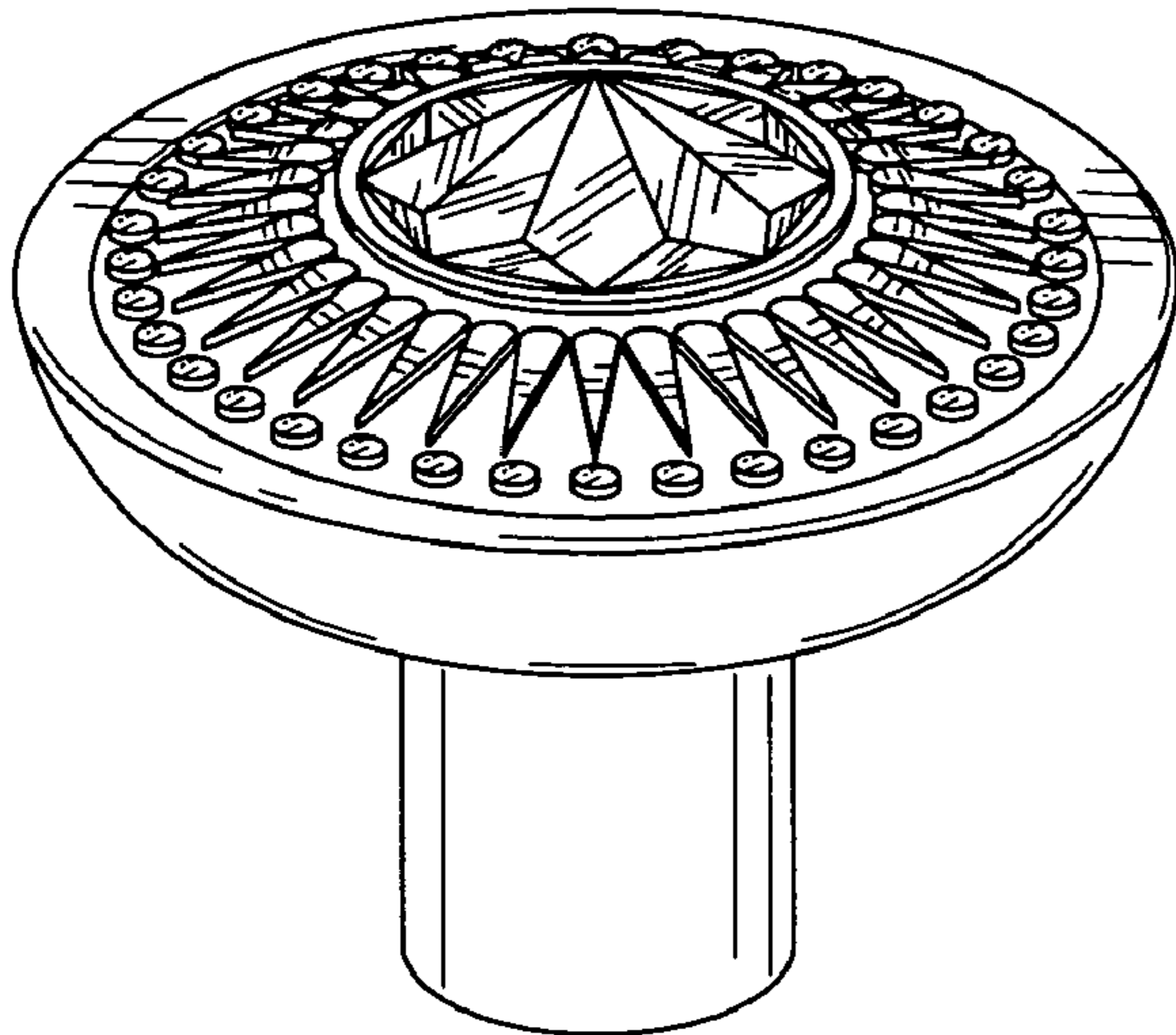
DESCRIPTION

FIG. 1 is a perspective view of a knob showing my new design;

FIG. 2 is a top plan view thereof, the bottom is not part of the claimed design; and,

FIG. 3 is a side view thereof.

1 Claim, 1 Drawing Sheet



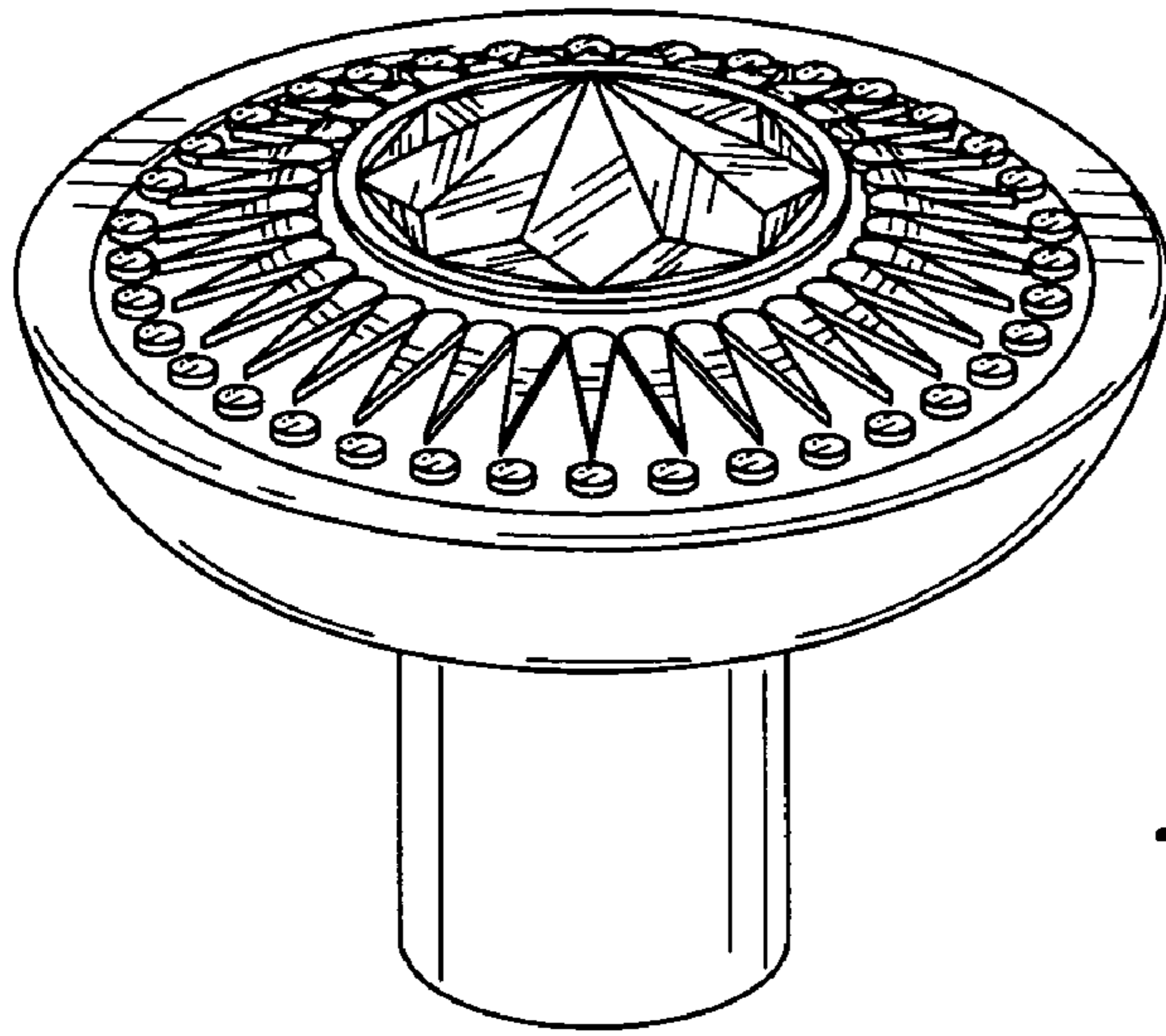


Fig-1

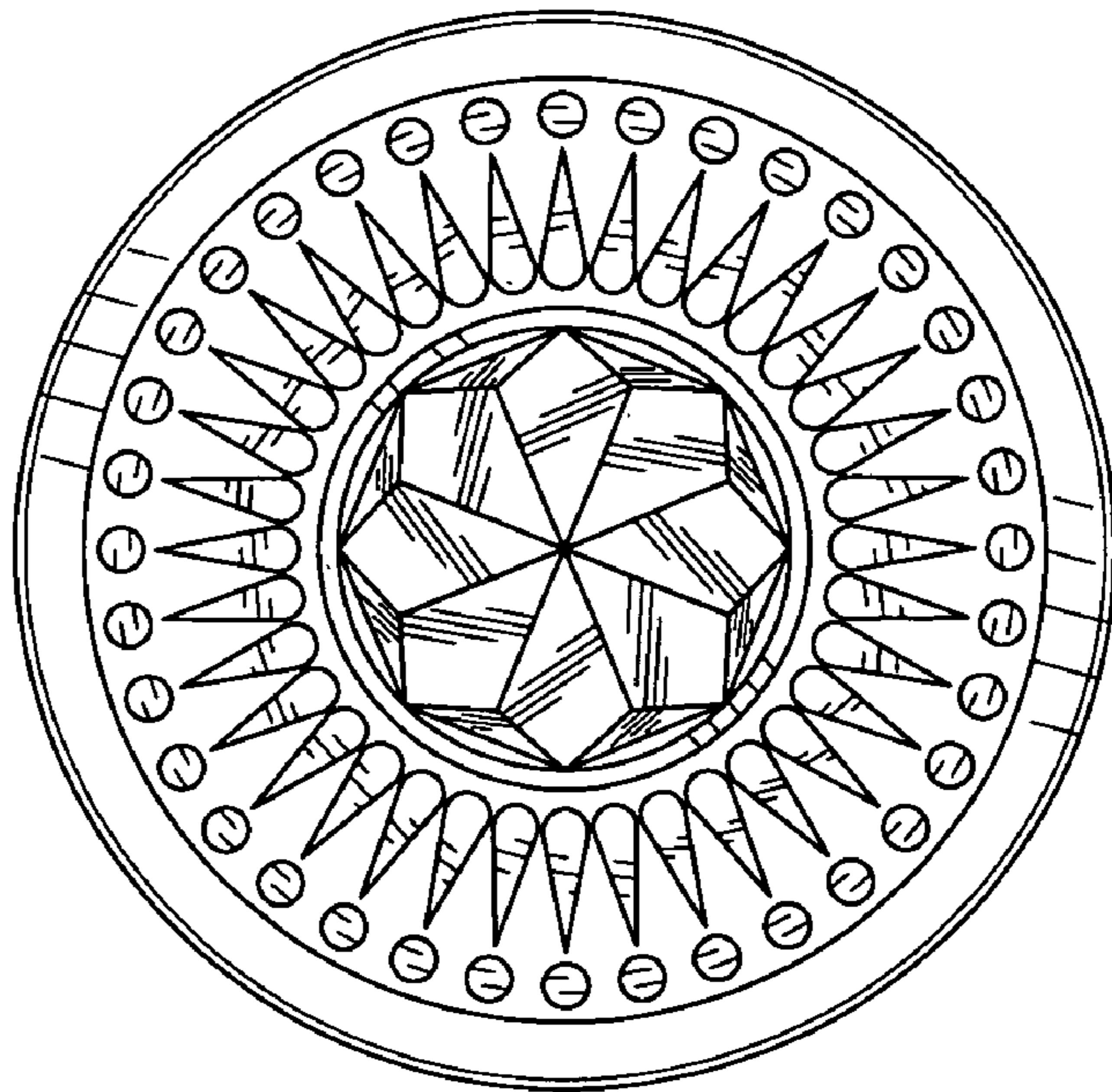


Fig-2

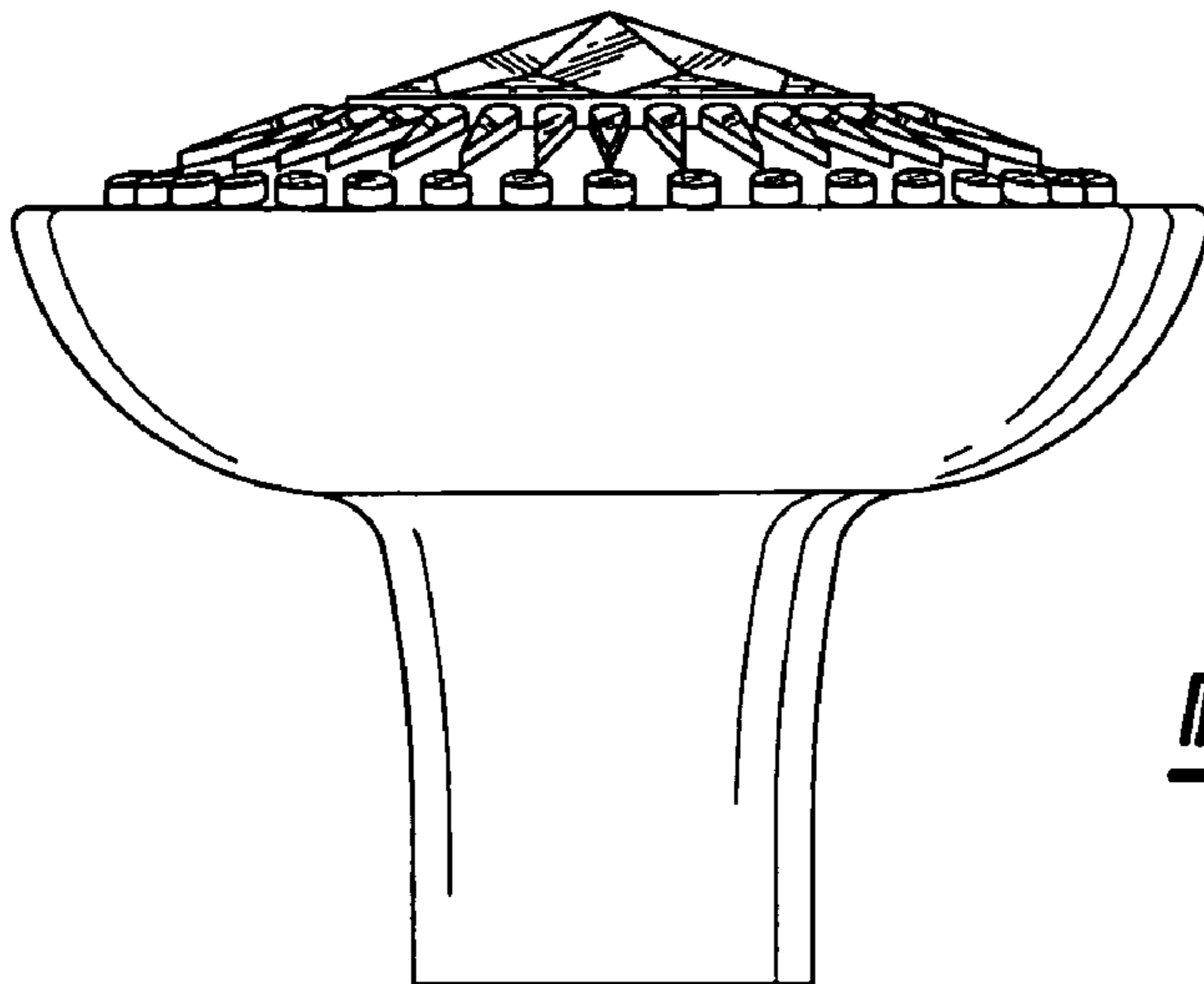


Fig-3