



US00D597816S

(12) **United States Design Patent**
Thompson

(10) **Patent No.:** **US D597,816 S**

(45) **Date of Patent:** **** Aug. 11, 2009**

(54) **DRAWER PULL**

(76) **Inventor:** **David W. Thompson**, 4120 Baughman
Grant, New Albany, OH (US) 43054

(**) **Term:** **14 Years**

(21) **Appl. No.:** **29/284,960**

(22) **Filed:** **Feb. 25, 2008**

(51) **LOC (9) Cl.** **08-06**

(52) **U.S. Cl.** **D8/300**

(58) **Field of Classification Search** D8/300,
D8/301, 302, 303, 305, 308, 310, 313, 341,
D8/DIG. 1; 16/110.1, 412, 414, 415, 441;
292/347, 352, 353, 356, 357, 358; D6/446,
D6/561; 312/244, 348.6; 72/58; 74/553;
406/197; D7/393

See application file for complete search history.

(56) **References Cited**

U.S. PATENT DOCUMENTS

748,404	A *	12/1903	Munro	292/347
2,493,764	A *	1/1950	Lamb	74/553
2,688,297	A *	9/1954	Livermont et al.	72/58
D179,679	S *	2/1957	Ellis	D8/310
D182,119	S *	2/1958	Hillgren	D8/310
D199,923	S *	12/1964	Schlage	D8/310
D200,002	S *	1/1965	Kendrick	D8/310
D200,463	S *	3/1965	Morgan	D8/310

3,295,897	A *	1/1967	Erickson et al.	406/197
3,338,613	A *	8/1967	Kendrick	292/347
3,427,061	A *	2/1969	Gresham et al.	292/353
4,082,351	A *	4/1978	Chronos	292/347
D518,353	S *	4/2006	Van Handel	D8/300

* cited by examiner

Primary Examiner—Paula Greene

(74) *Attorney, Agent, or Firm*—Wood, Herron & Evans,
L.L.P.

(57) **CLAIM**

The ornamental design for a drawer pull, as shown and described.

DESCRIPTION

FIG. 1 is a perspective view of a drawer pull showing my new design;

FIG. 2 is another perspective view thereof;

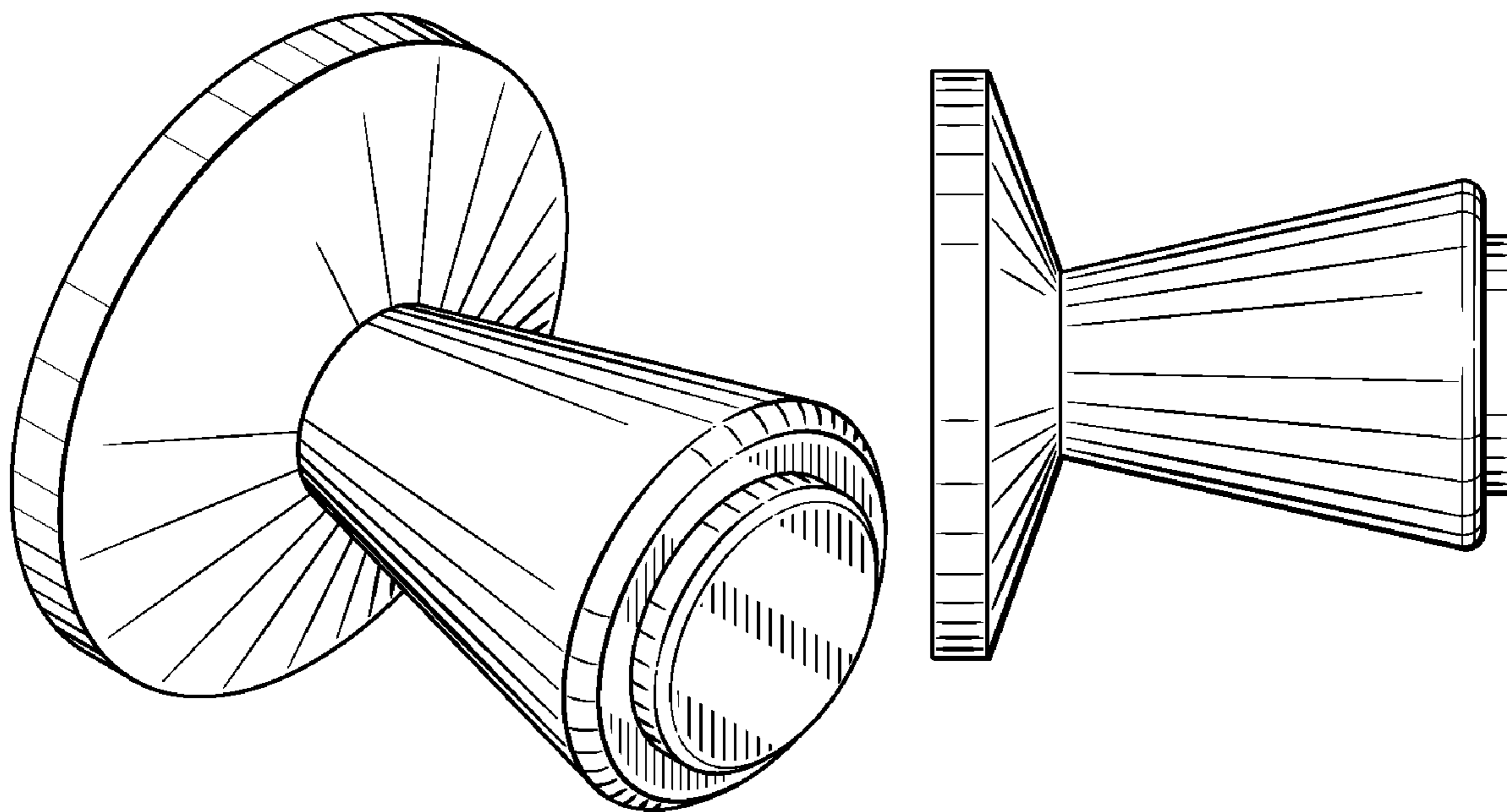
FIG. 3 is a left side elevational view thereof, with the right side elevational view and top and bottom views being identical thereof;

FIG. 4 is a front elevational view thereof; and,

FIG. 5 is a rear elevational view thereof.

The broken lines in FIG. 2 are for illustrative purposes only and form no part of the claimed drawer pull.

1 Claim, 2 Drawing Sheets



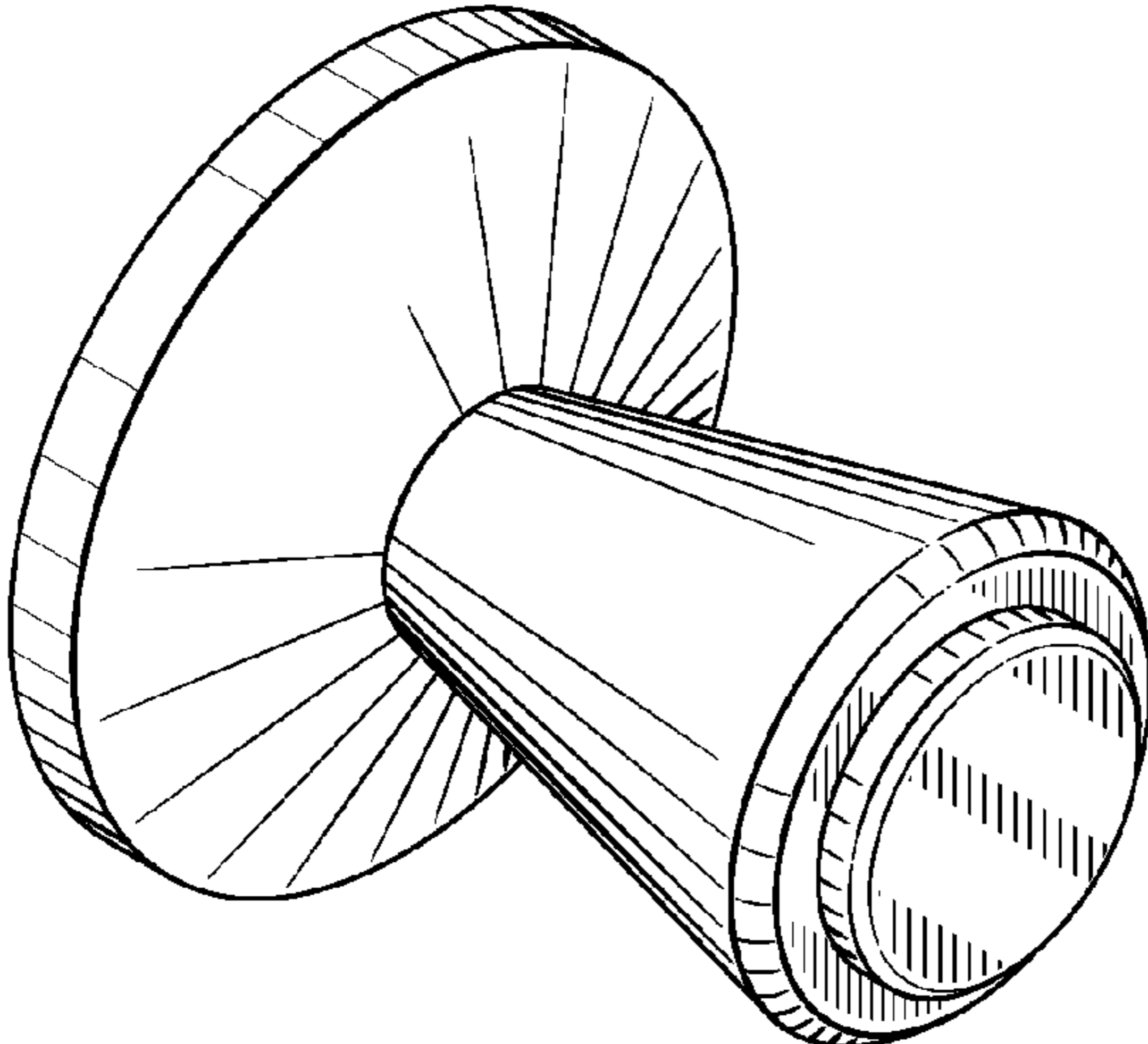


FIG. 1

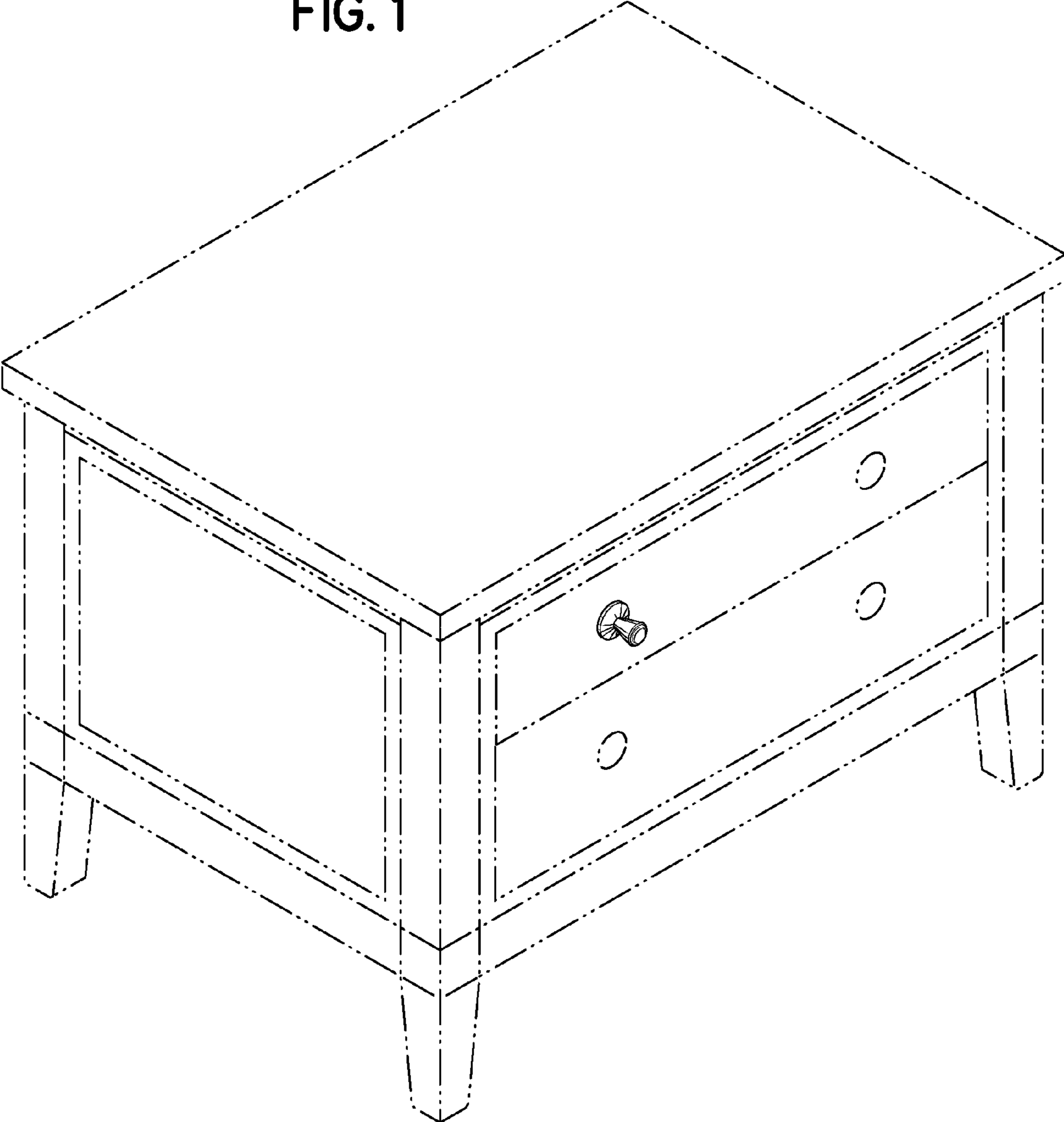


FIG. 2

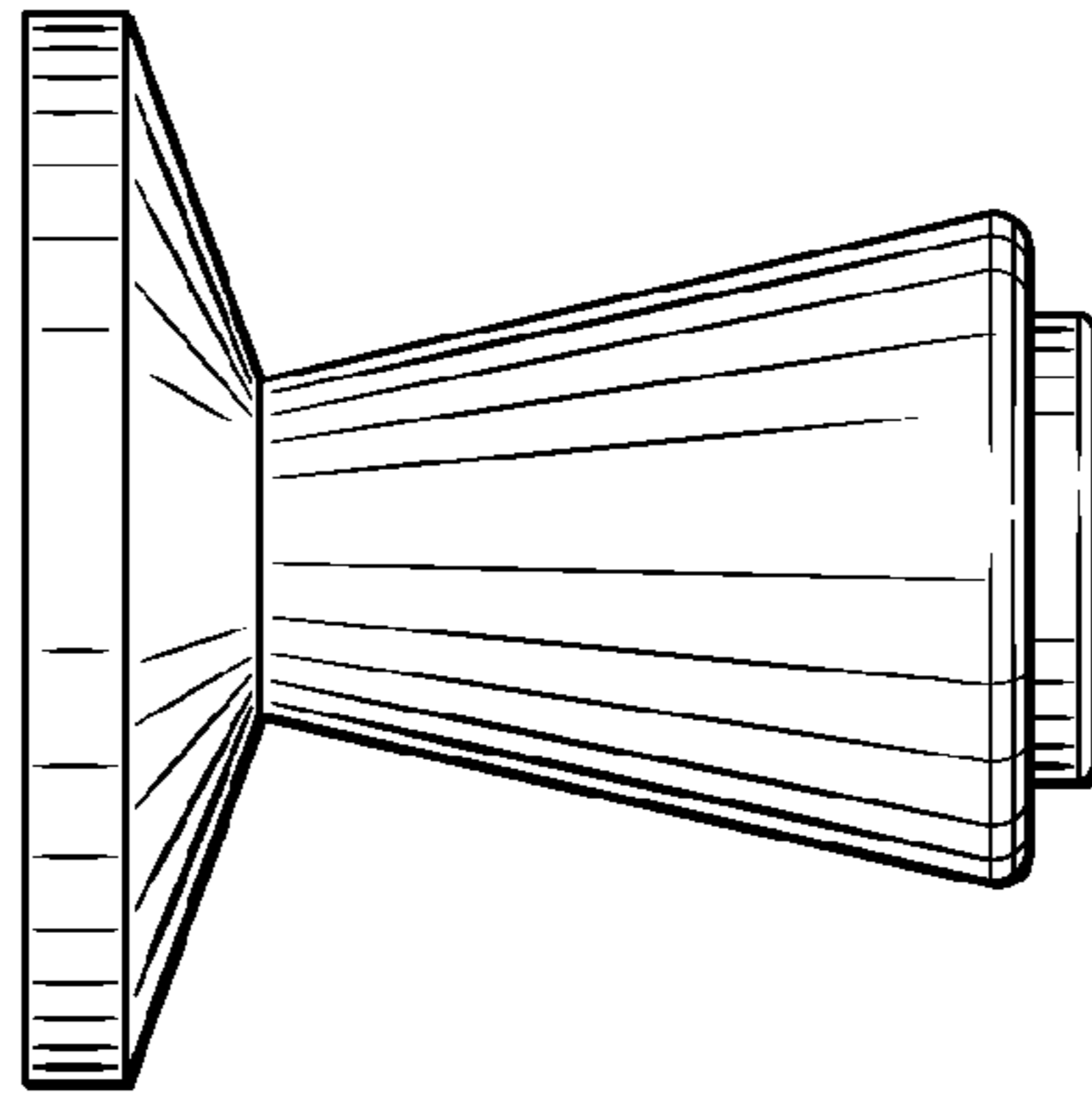


FIG. 3

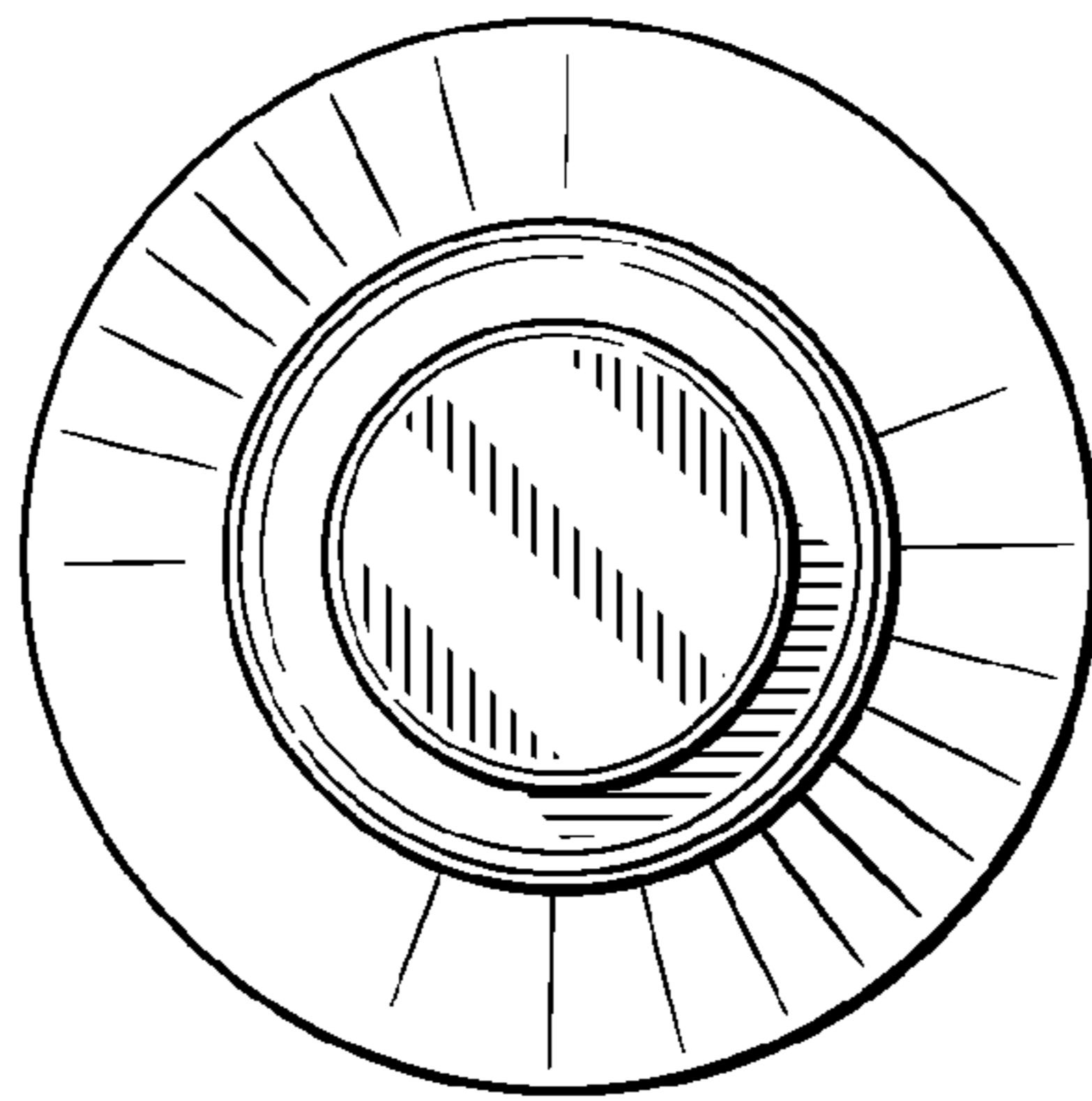


FIG. 4

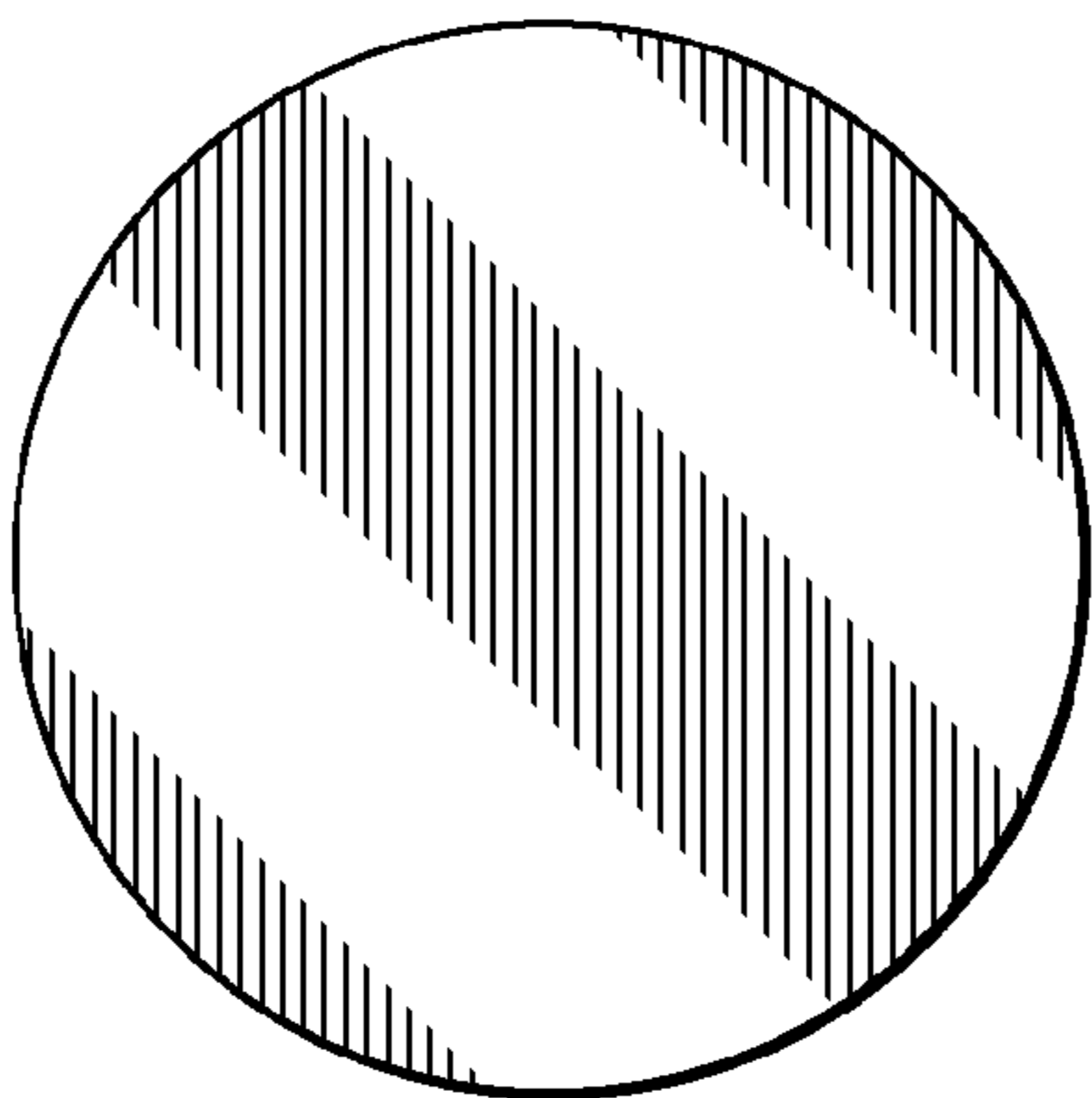


FIG. 5