



US00D597815S

(12) **United States Design Patent**
Saunders

(10) **Patent No.:** **US D597,815 S**

(45) **Date of Patent:** **** Aug. 11, 2009**

(54) **PLANE SCREWDRIVER**

(75) Inventor: **Terry Saunders**, North Gower (CA)

(73) Assignee: **Lee Valley Tools, Ltd.**, Ottawa, Ontario (CA)

(**) Term: **14 Years**

(21) Appl. No.: **29/317,202**

(22) Filed: **Apr. 24, 2008**

(51) **LOC (9) Cl.** **08-04**

(52) **U.S. Cl.** **D8/83**

(58) **Field of Classification Search** D8/82,
D8/83, 84, 85, 86, 87, 107, 101, 310; 81/177.1,
81/177.4, 436, 437, 438, 439, 440; 16/110.1,
16/417

See application file for complete search history.

(56) **References Cited**

U.S. PATENT DOCUMENTS

D33,589 S	11/1900	Higgins	
D137,230 S *	2/1944	Oxhandler	D8/101
D271,937 S	12/1983	Combs	
D309,089 S *	7/1990	Tsuji	D8/82
5,008,551 A *	4/1991	Randolph	250/462.1
D325,692 S	4/1992	Johnson	
D335,803 S *	5/1993	Ohsumi	D8/14
D396,179 S *	7/1998	Burns et al.	D8/310
D401,834 S *	12/1998	Burns et al.	D8/310
6,216,348 B1 *	4/2001	Martirosian	30/329

D465,396 S	11/2002	Song	
D497,668 S *	10/2004	Bogazzi	D24/133
D535,540 S	1/2007	Caplan	
D563,190 S *	3/2008	Lee et al.	D8/101
D565,385 S *	4/2008	Jou	D8/307
D569,220 S *	5/2008	McConnell	D8/310
7,377,044 B2 *	5/2008	Economaki	30/492

OTHER PUBLICATIONS

“Screwdrivers”, Lie-Nielson Toolworks USA; <http://www.lie-nielsen.com/catalog.php?sku=SCR> (1995).

* cited by examiner

Primary Examiner—Philip S Hyder

(74) *Attorney, Agent, or Firm*—Kilpatrick Stockton LLP; John S. Pratt; Camilla C. Williams

(57) **CLAIM**

The ornamental design for a plane screwdriver, as shown and described.

DESCRIPTION

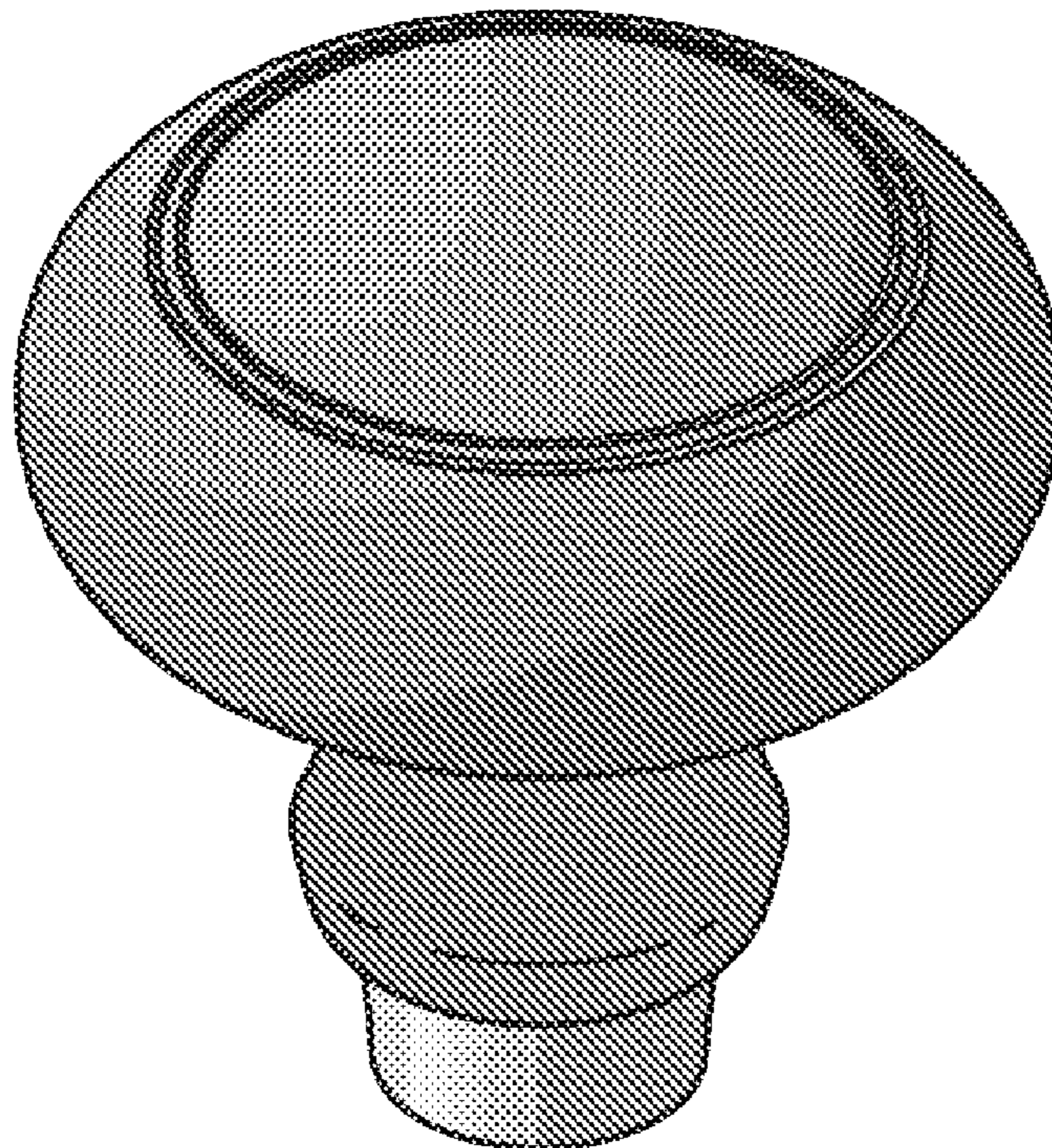
FIG. 1 is a perspective view of the plane screwdriver.

FIG. 2 is a side elevation view of the plane screwdriver shown in FIG. 1, which is symmetrical about a vertical axis thereof.

FIG. 3 is a top plan view of the plane screwdriver shown in FIG. 1; and,

FIG. 4 is a bottom plan view of the plane screwdriver shown in FIG. 1.

1 Claim, 2 Drawing Sheets



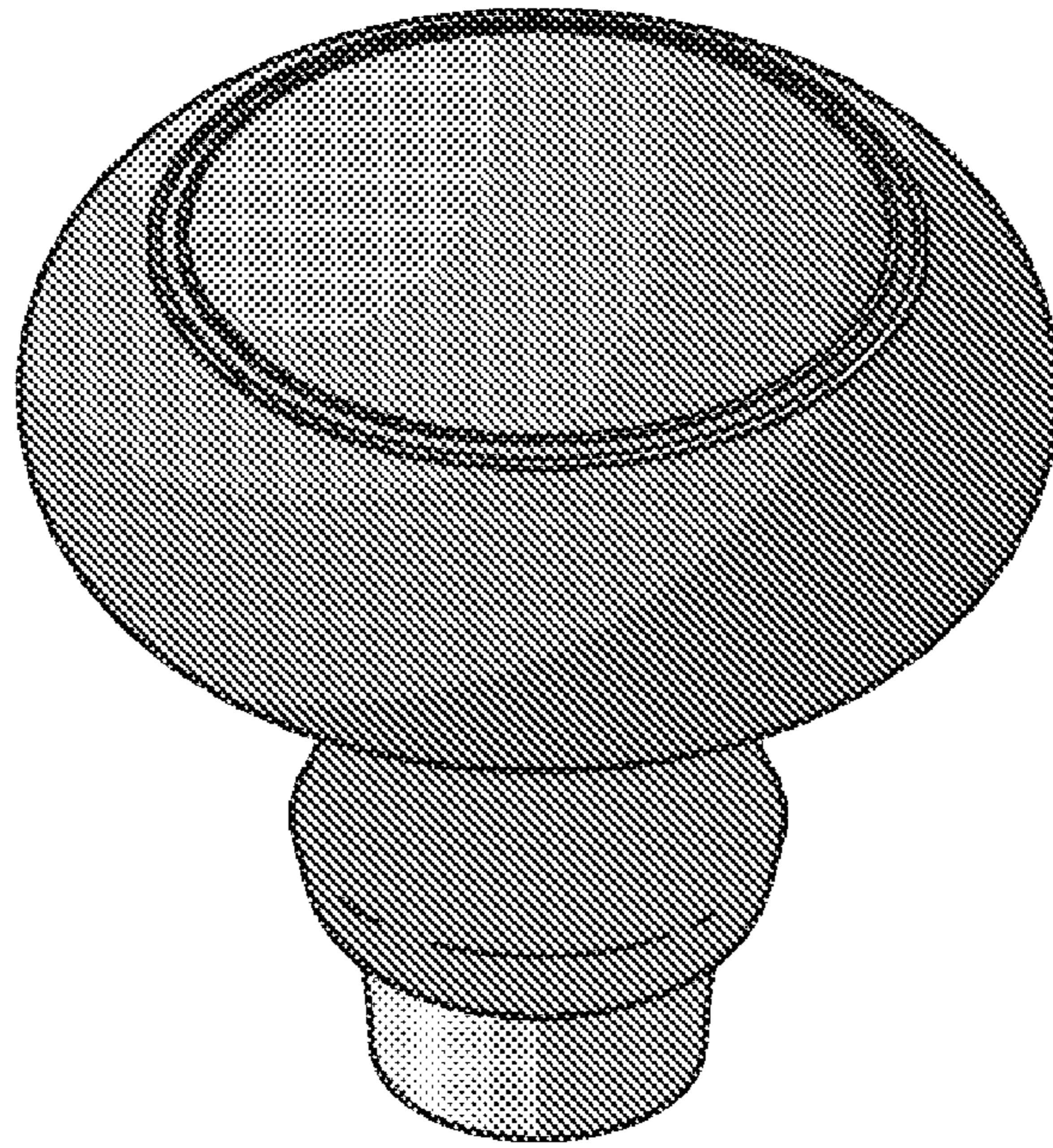


FIG. 1

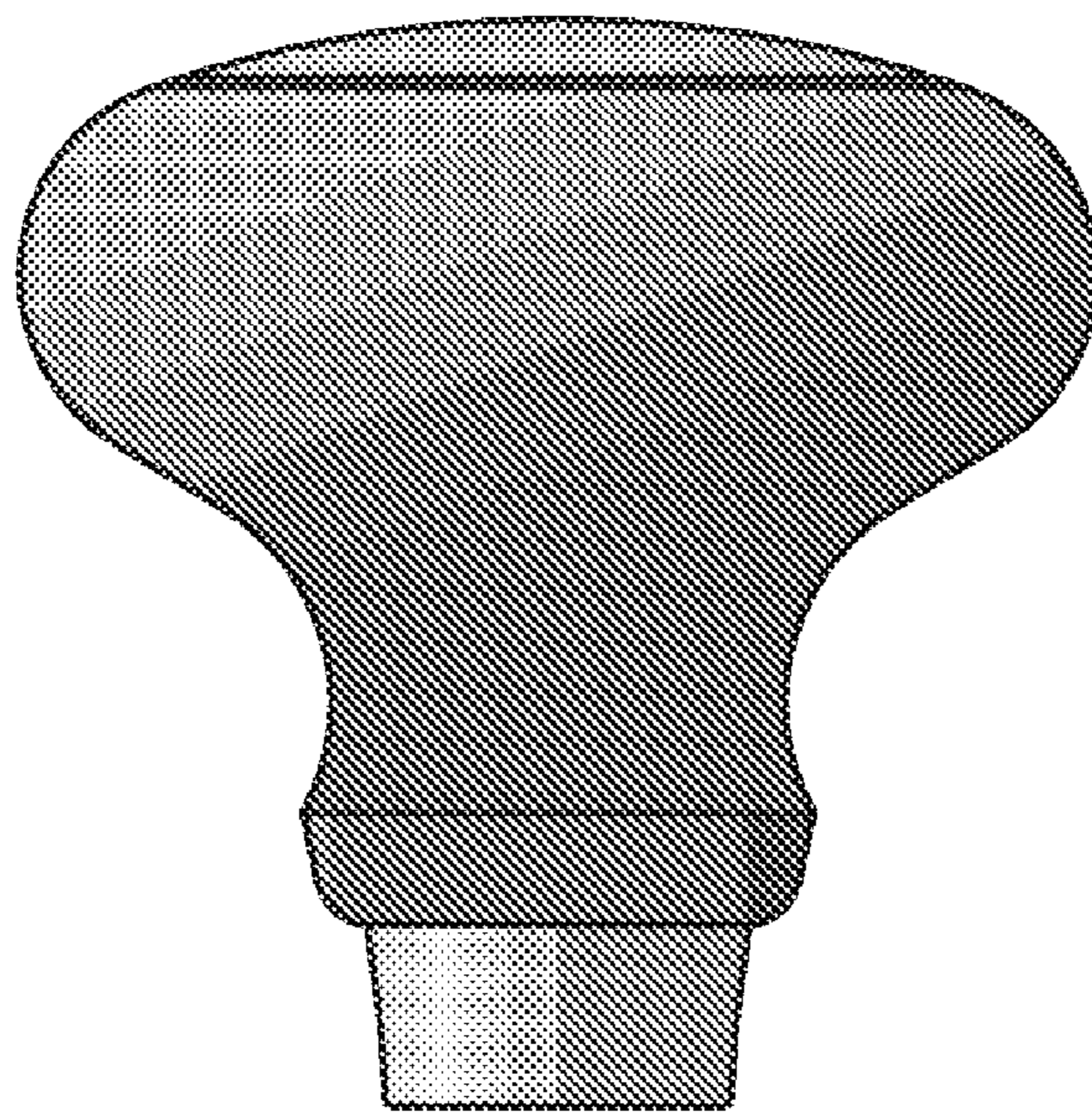


FIG. 2

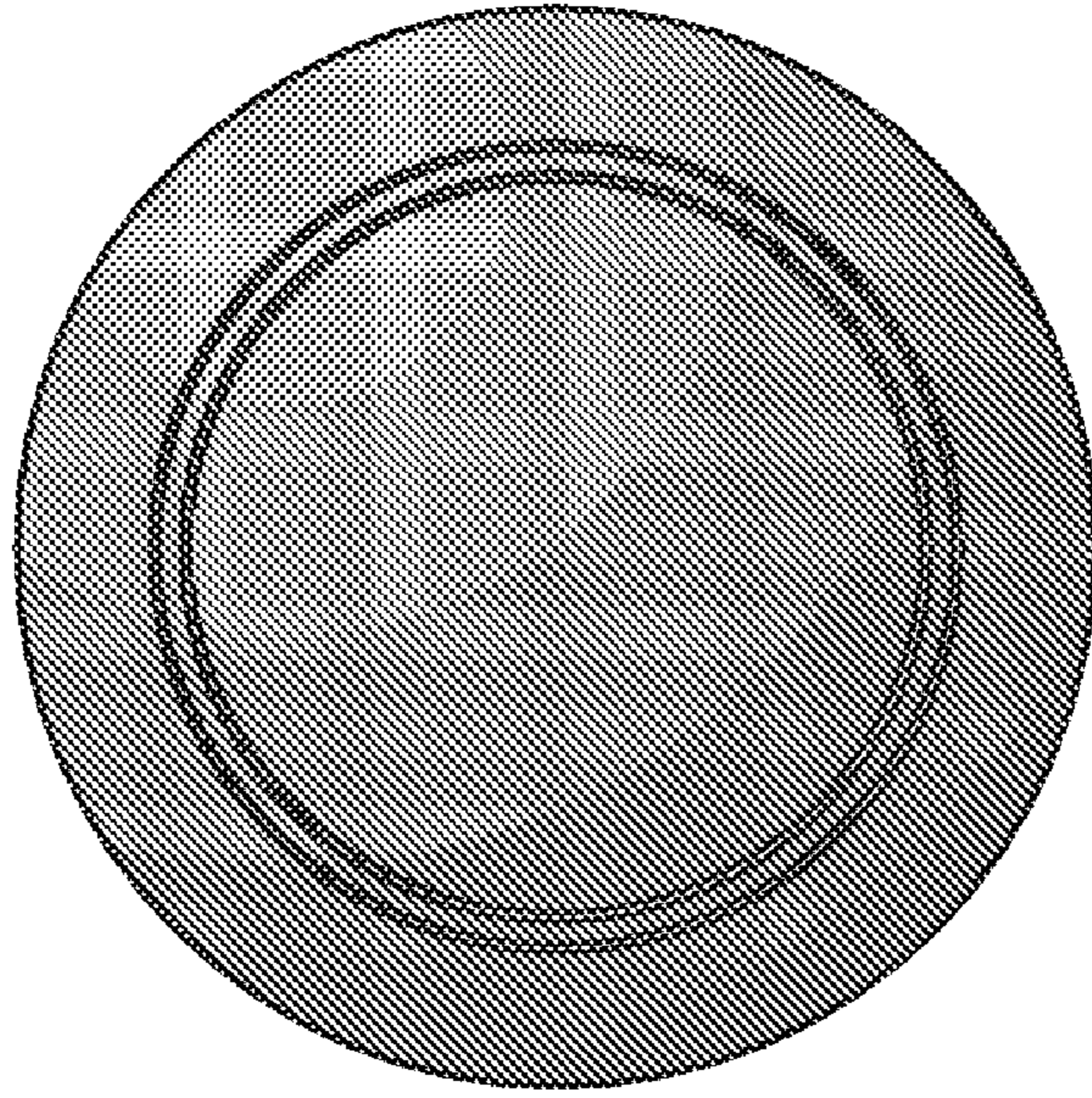


FIG. 3

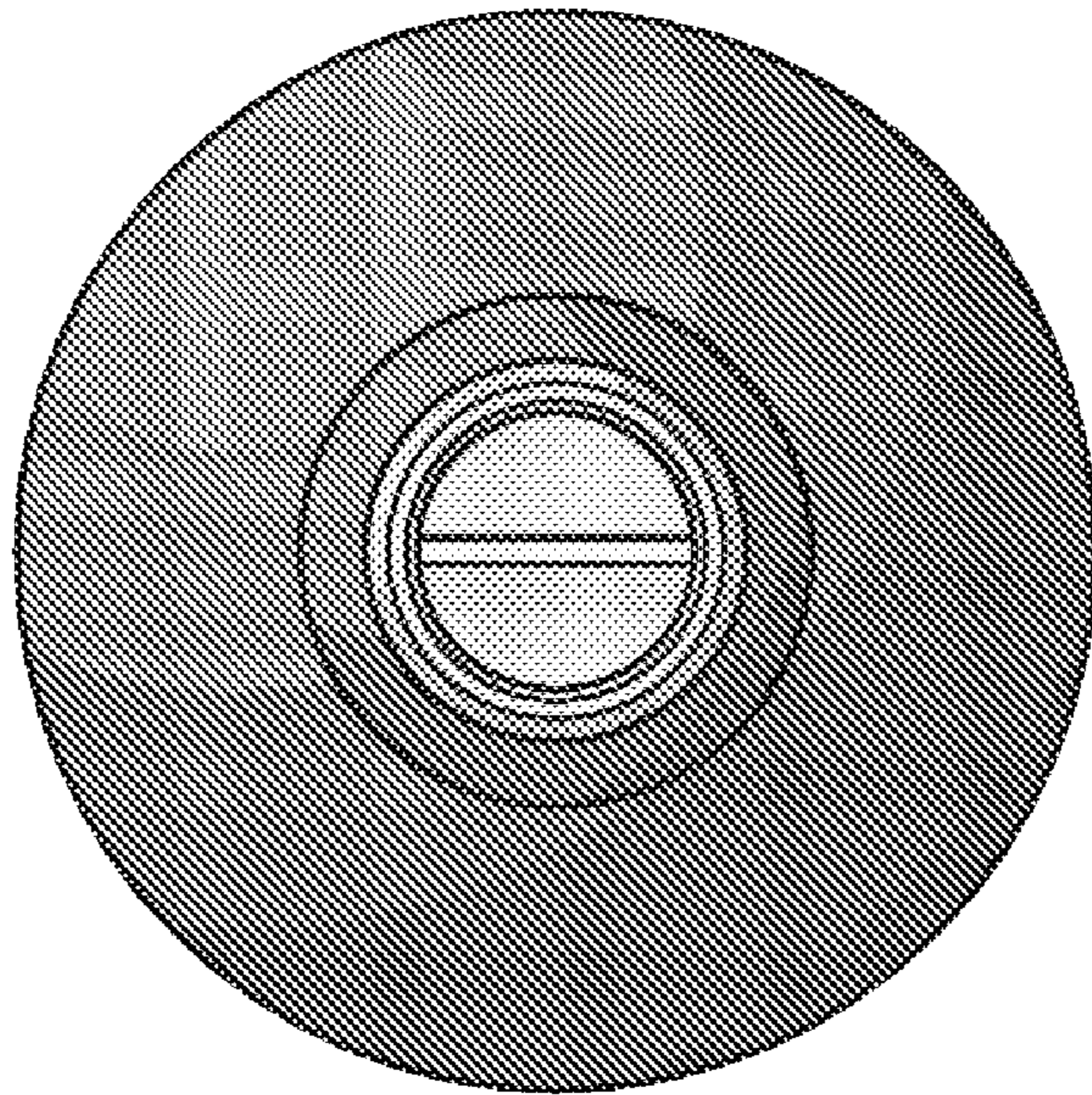


FIG. 4