

US00D597814S

(12) **United States Design Patent**
Yang

(10) **Patent No.:** **US D597,814 S**

(45) **Date of Patent:** **** Aug. 11, 2009**

(54) **CLAMP**

(75) Inventor: **Ching-Jhen Yang**, Taichung (TW)

(73) Assignee: **Daron Tools Co., Ltd.**, Taichung (TW)

(**) Term: **14 Years**

(21) Appl. No.: **29/322,470**

(22) Filed: **Aug. 5, 2008**

(51) **LOC (9) Cl.** **08-05**

(52) **U.S. Cl.** **D8/72**

(58) **Field of Classification Search** D8/71-74,
D8/394-397, 354, 355, 356, 24, 25, 27, 29;
269/3, 6, 143, 165, 240, 249; 81/355, 356,
81/353, 487, 476; 29/257, 276; D24/128;
D23/265

See application file for complete search history.

(56) **References Cited**

U.S. PATENT DOCUMENTS

D320,919	S	*	10/1991	Sorensen	D8/72
D366,820	S	*	2/1996	Wooster et al.	D8/72
5,988,616	A	*	11/1999	Fuller et al.	269/6
D440,139	S	*	4/2001	Michell	D8/72
D484,017	S	*	12/2003	Knox	D8/72
D488,043	S	*	4/2004	Ben-Gigi	D8/72
D494,828	S	*	8/2004	Phillips	D8/72
D516,892	S	*	3/2006	Ping	D8/72

7,017,894	B1	*	3/2006	Lin	269/6
D545,162	S	*	6/2007	Ranieri	D8/73
D555,454	S	*	11/2007	Noniewicz	D8/72
7,322,571	B2	*	1/2008	Springer	269/6
2007/0246874	A1	*	10/2007	Fuller et al.	269/6

* cited by examiner

Primary Examiner—T. Chase Nelson

Assistant Examiner—David G Muller

(74) *Attorney, Agent, or Firm*—Banger Shia

(57) **CLAIM**

I claim the ornamental design for a clamp, as shown and described.

DESCRIPTION

FIG. 1 is a perspective view of a clamp, showing my new design;

FIG. 2 is a front elevational view thereof;

FIG. 3 is a rear elevational view thereof;

FIG. 4 is a left side elevational view thereof;

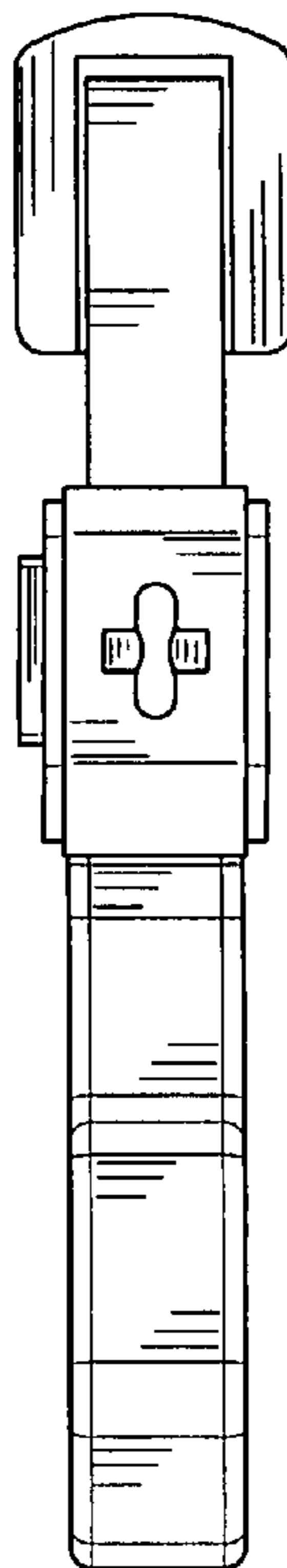
FIG. 5 is a right side elevational view thereof;

FIG. 6 is a top plan view thereof; and,

FIG. 7 is a bottom plan view thereof.

The broken lines depict portions of the clamp that form no part of the claimed design.

1 Claim, 5 Drawing Sheets



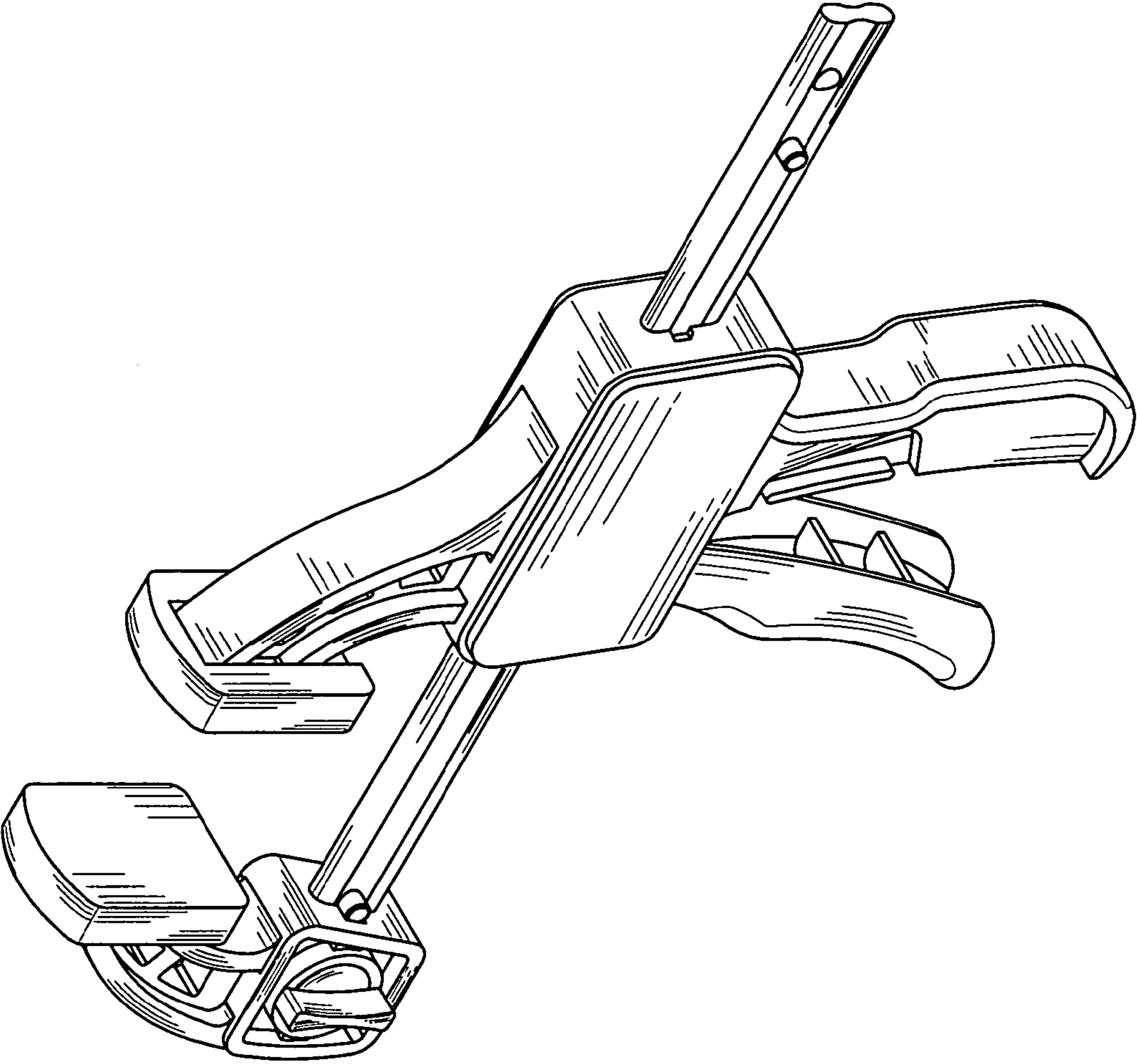


FIG. 1

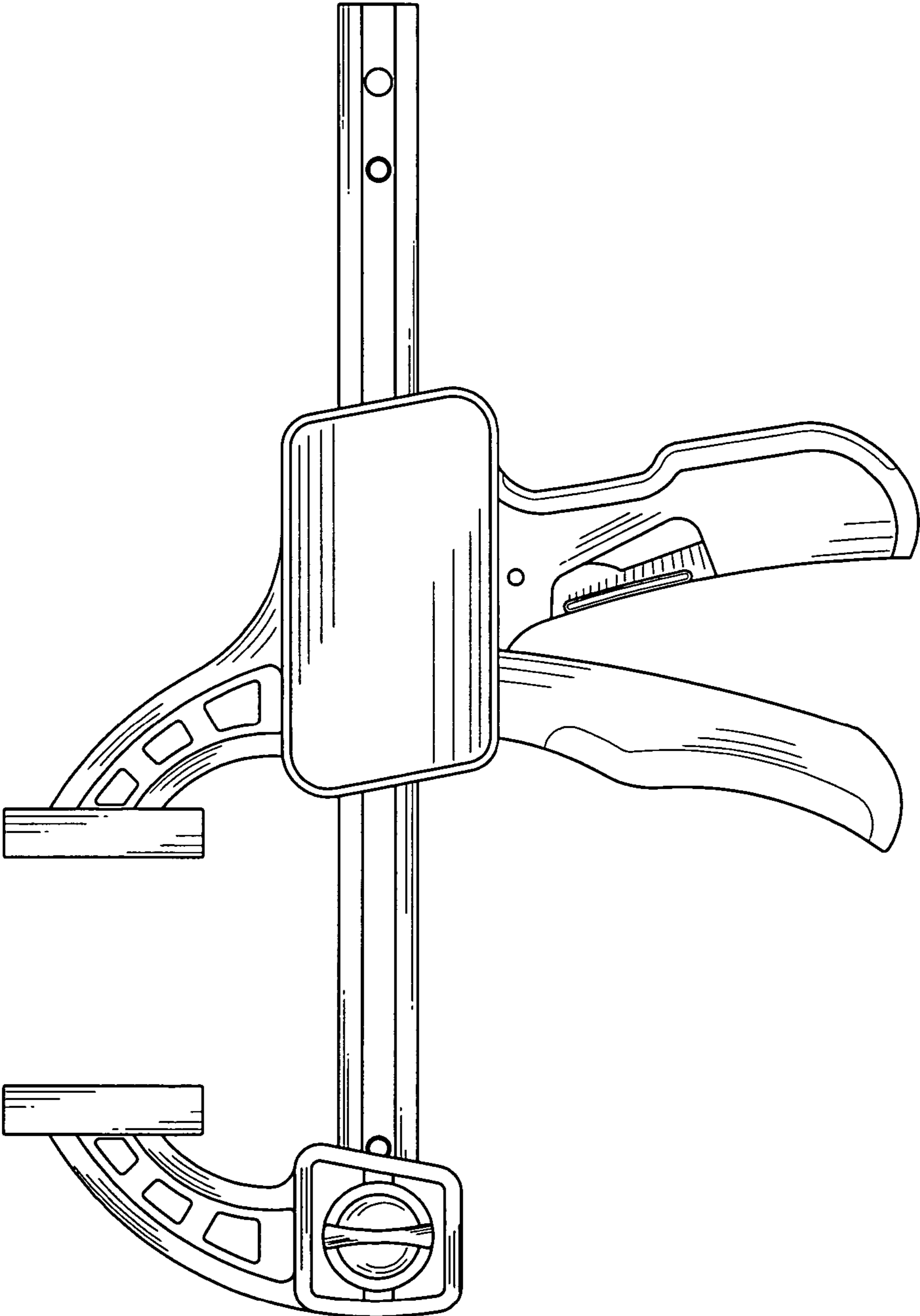


FIG. 2

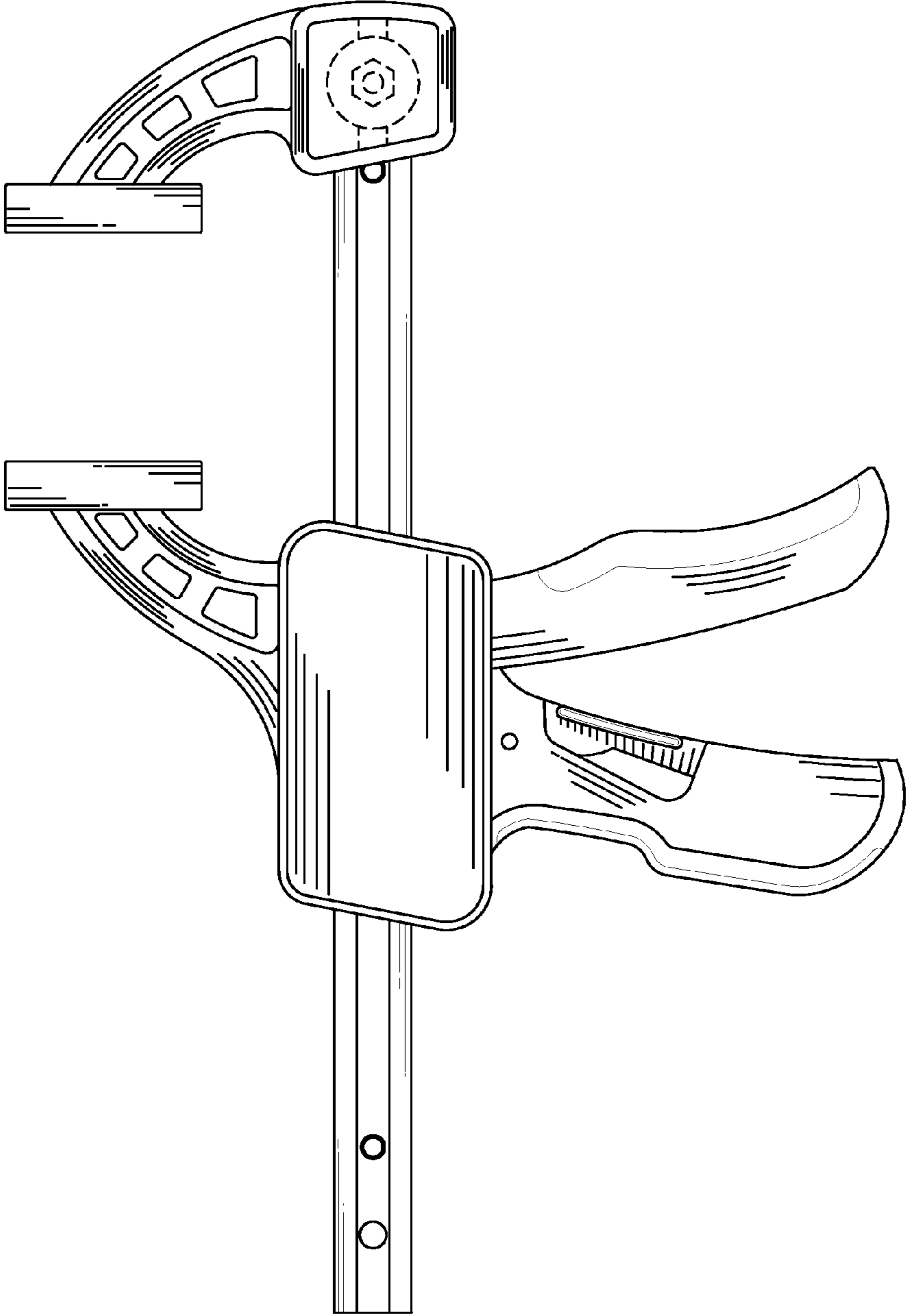


FIG. 3

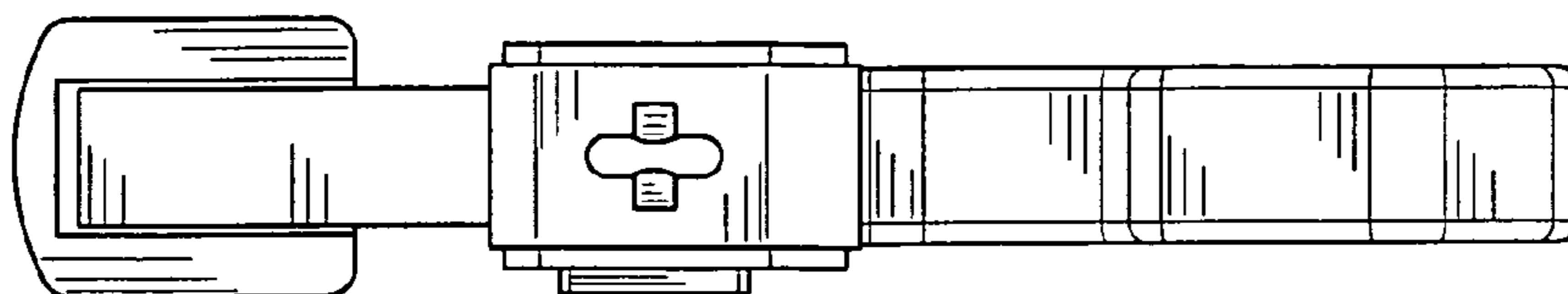


FIG. 5

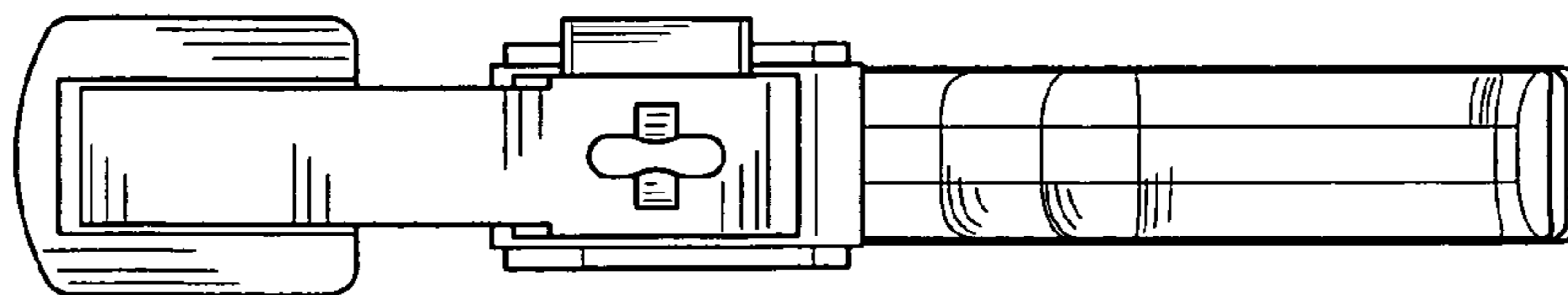


FIG. 4

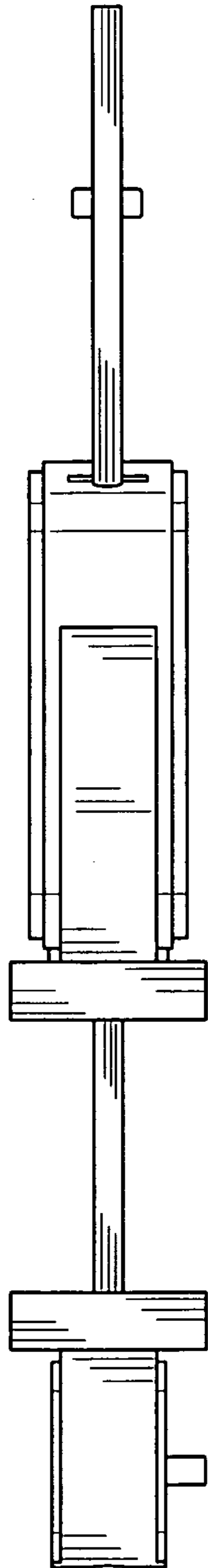


FIG. 6

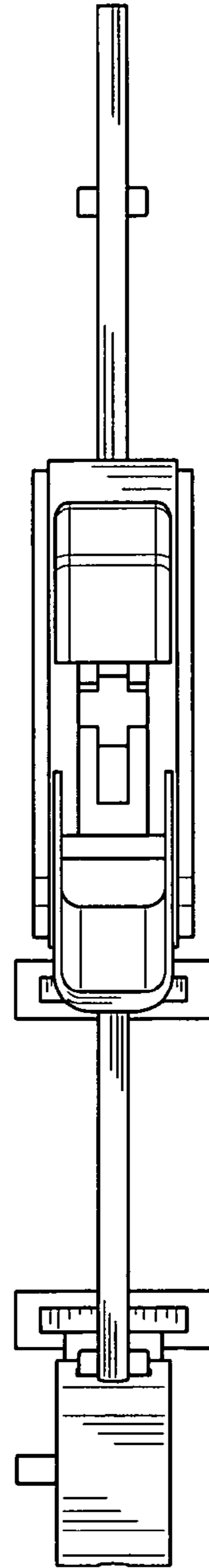


FIG. 7