



US00D597813S

(12) **United States Design Patent**  
**Livingston, Jr. et al.**

(10) **Patent No.:** **US D597,813 S**

(45) **Date of Patent:** **\*\* Aug. 11, 2009**

(54) **SOLID SURFACE CLAMP**

(76) Inventors: **Larry Leigh Livingston, Jr.**, 4965  
Nance Dr., Pilot Hill, CA (US) 95664;  
**Derek Carlton Westlund**, 5040 Cedar  
Ravine Ct., Placerville, CA (US) 95667

(\*\*) Term: **14 Years**

(21) Appl. No.: **29/322,173**

(22) Filed: **Jul. 30, 2008**

D392,171	S	*	3/1998	Miller	.....	D8/72
D393,998	S	*	5/1998	Anderson	.....	D8/394
5,765,902	A		6/1998	Love		
6,032,939	A		3/2000	Chen		
6,045,126	A		4/2000	Brzezinski		
D487,864	S		3/2004	Varzino		
6,893,012	B2		5/2005	Wong		
7,000,519	B1		2/2006	Weinstein et al.		
7,025,309	B2	*	4/2006	Goodwin et al.	.....	248/74.4
D551,528	S	*	9/2007	Vautour	.....	D8/72
D577,560	S	*	9/2008	Franks, Jr.	.....	D8/72
D583,656	S	*	12/2008	Bush	.....	D8/397
2003/0025262	A1		2/2003	Kranzler		

\* cited by examiner

**Related U.S. Application Data**

(63) Continuation-in-part of application No. 11/013,021,  
filed on Dec. 15, 2004.

*Primary Examiner*—T. Chase Nelson

*Assistant Examiner*—David G Muller

(74) *Attorney, Agent, or Firm*—Manuel F. de la Cerra

(51) **LOC (9) Cl.** ..... **08-05**

(52) **U.S. Cl.** ..... **D8/72**

(58) **Field of Classification Search** ..... D8/71–74,  
D8/394–399, 354, 355, 356, 59, 330, 387;  
248/62, 63, 72, 74.1, 689, 124.2; 81/487;  
269/3, 4, 6, 143, 165, 240, 243, 246–249,  
269/254 R, 147–149, 97–100, 900, 45; 29/256,  
29/257, 276, 283; D15/140; D24/143, 140  
See application file for complete search history.

(57) **CLAIM**

The ornamental design for a solid surface clamp, as shown  
and described.

**DESCRIPTION**

FIG. 1 is a front right perspective view of a solid surface  
clamp showing a clamp device and a bar.

FIG. 2 is a front left perspective view of the solid surface  
clamp illustrated in FIG. 1.

FIG. 3 is a top view of the solid surface clamp illustrated in  
FIG. 1.

FIG. 4 is a front view of the solid surface clamp illustrated in  
FIG. 1.

FIG. 5 is a side view of the solid surface clamp illustrated in  
FIG. 1.

FIG. 6 is a front right perspective view of the clamp device for  
the solid surface clamp illustrated in FIG. 1.

FIG. 7 is a side view of the clamp device illustrated in FIG. 6;  
and,

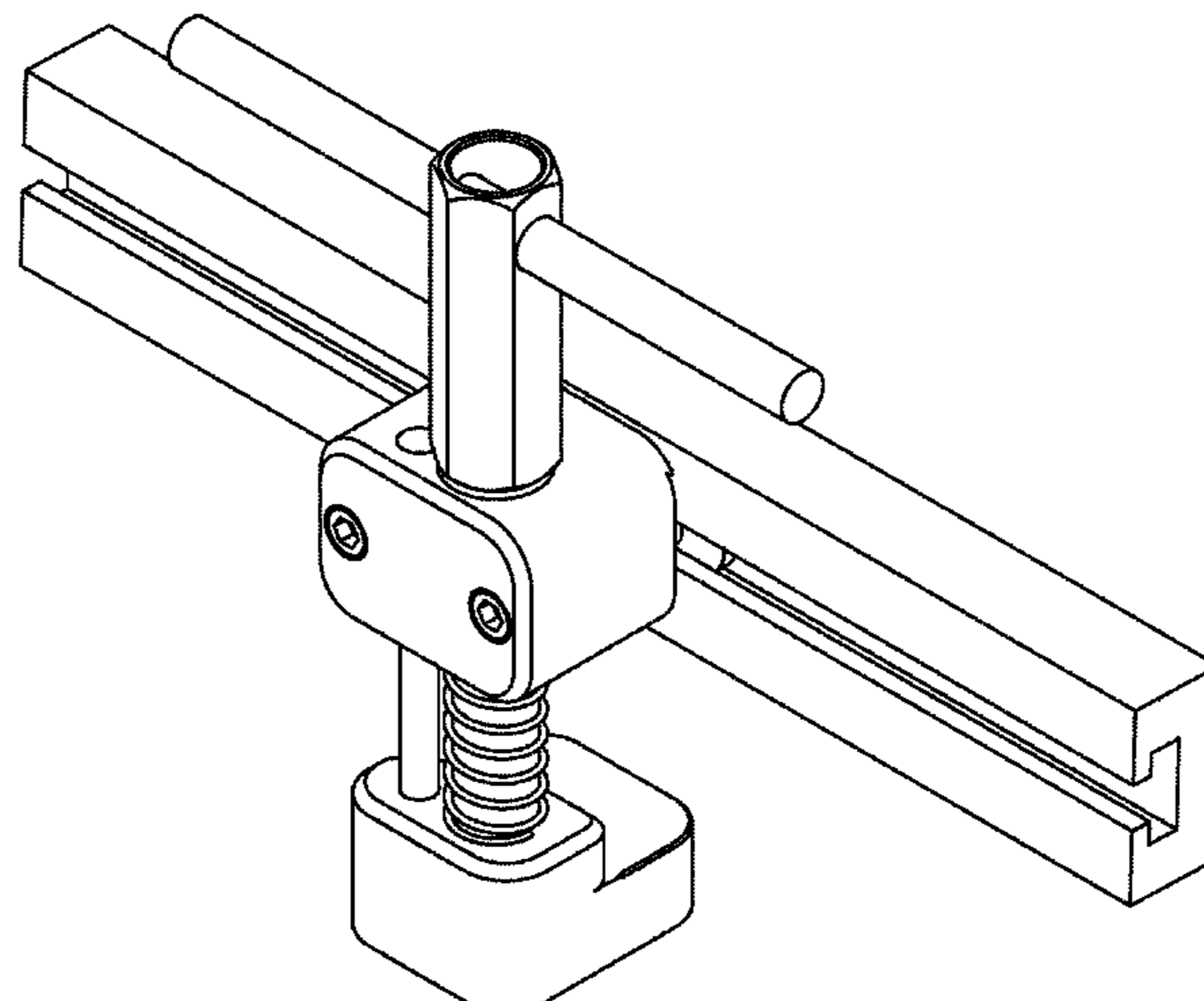
FIG. 8 is a top view of the clamp device illustrated in FIG. 6.

(56) **References Cited**

**U.S. PATENT DOCUMENTS**

2,241,021	A	5/1941	Riebe		
4,324,048	A	4/1982	Frost		
D266,483	S	*	10/1982	Merry	..... D8/356
D267,625	S	*	1/1983	Dark	..... D8/73
4,691,907	A	9/1987	Yang		
4,823,636	A	4/1989	Suska		
4,834,354	A	5/1989	Yang		
4,928,938	A	5/1990	Ross		
5,131,780	A	7/1992	Love		
D332,562	S	*	1/1993	Fremont et al.	..... D8/73
D365,975	S	*	1/1996	Cottone	..... D8/72
D378,343	S	*	3/1997	Macor	..... D8/73
D390,241	S	*	2/1998	Mori	..... D15/140
D391,150	S	*	2/1998	Anderson	..... D8/394

**1 Claim, 6 Drawing Sheets**



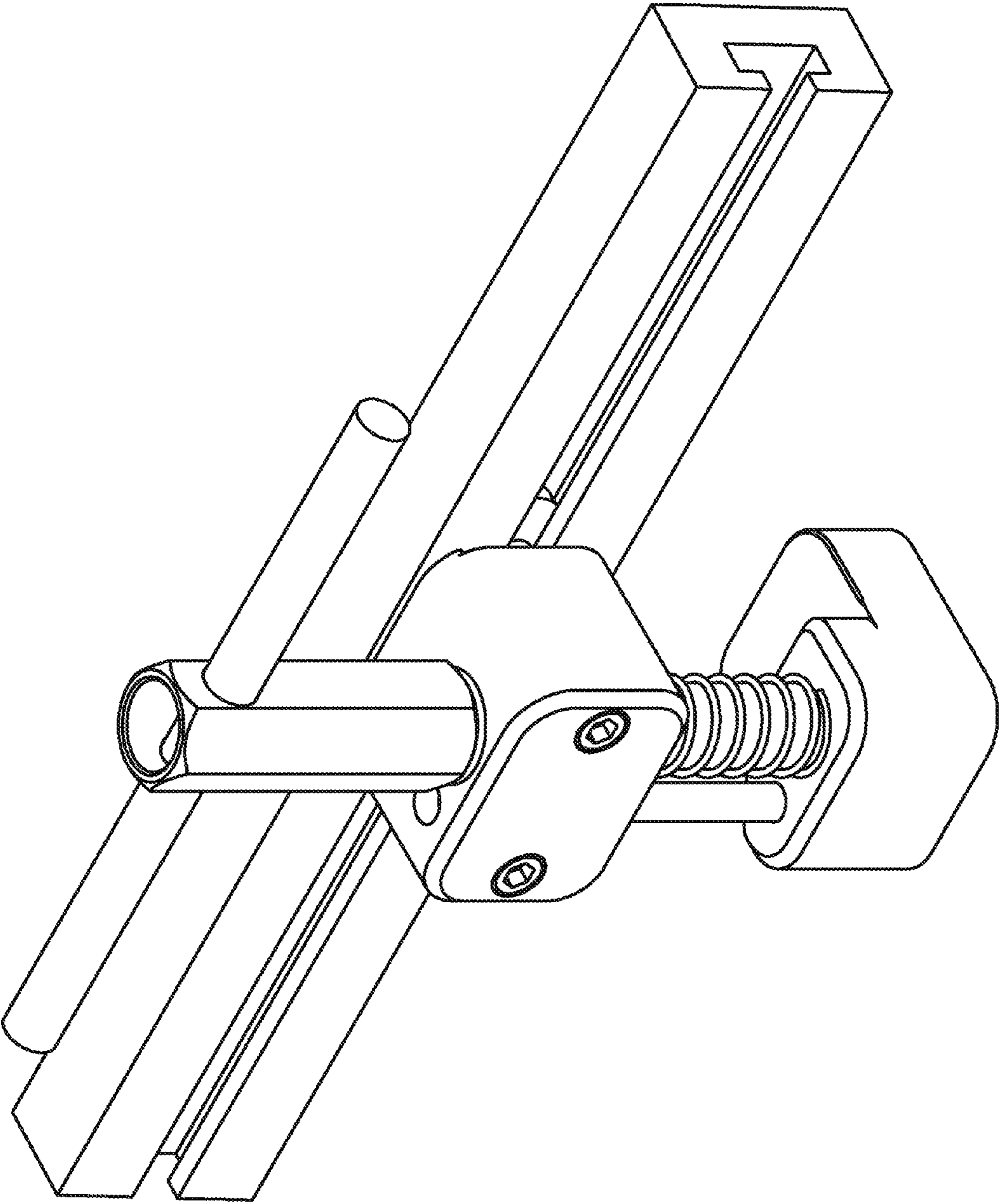


FIG. 1

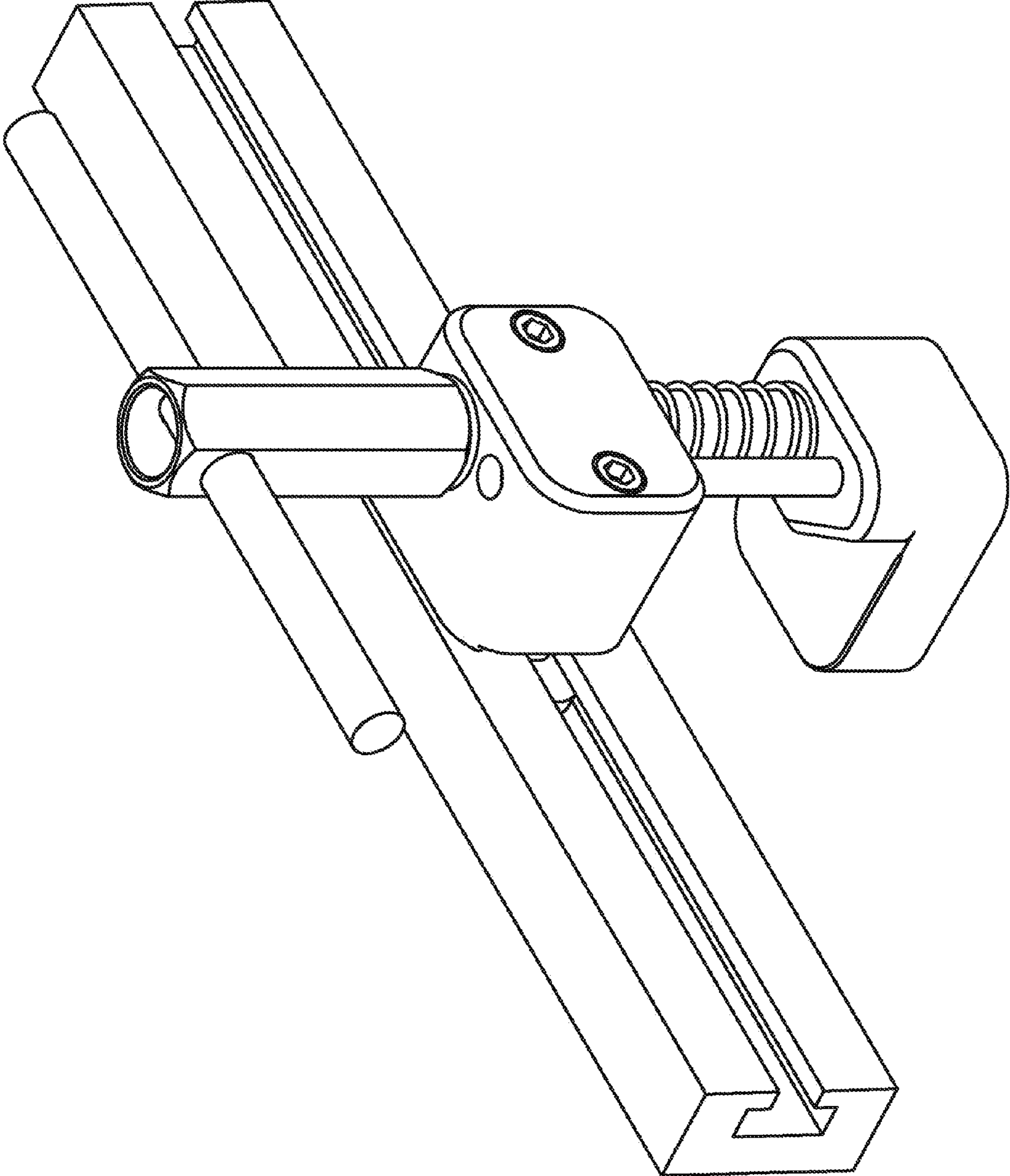


FIG. 2

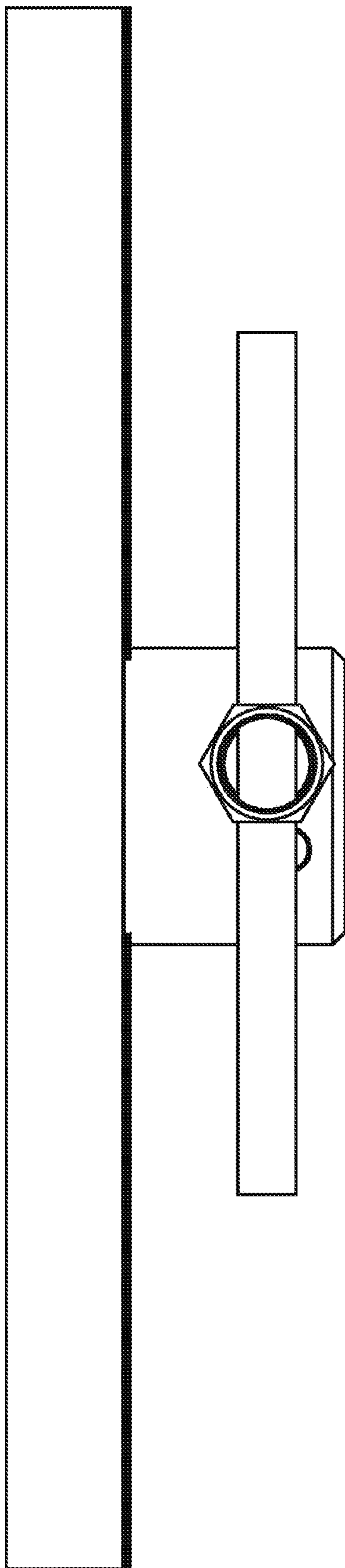


FIG. 3

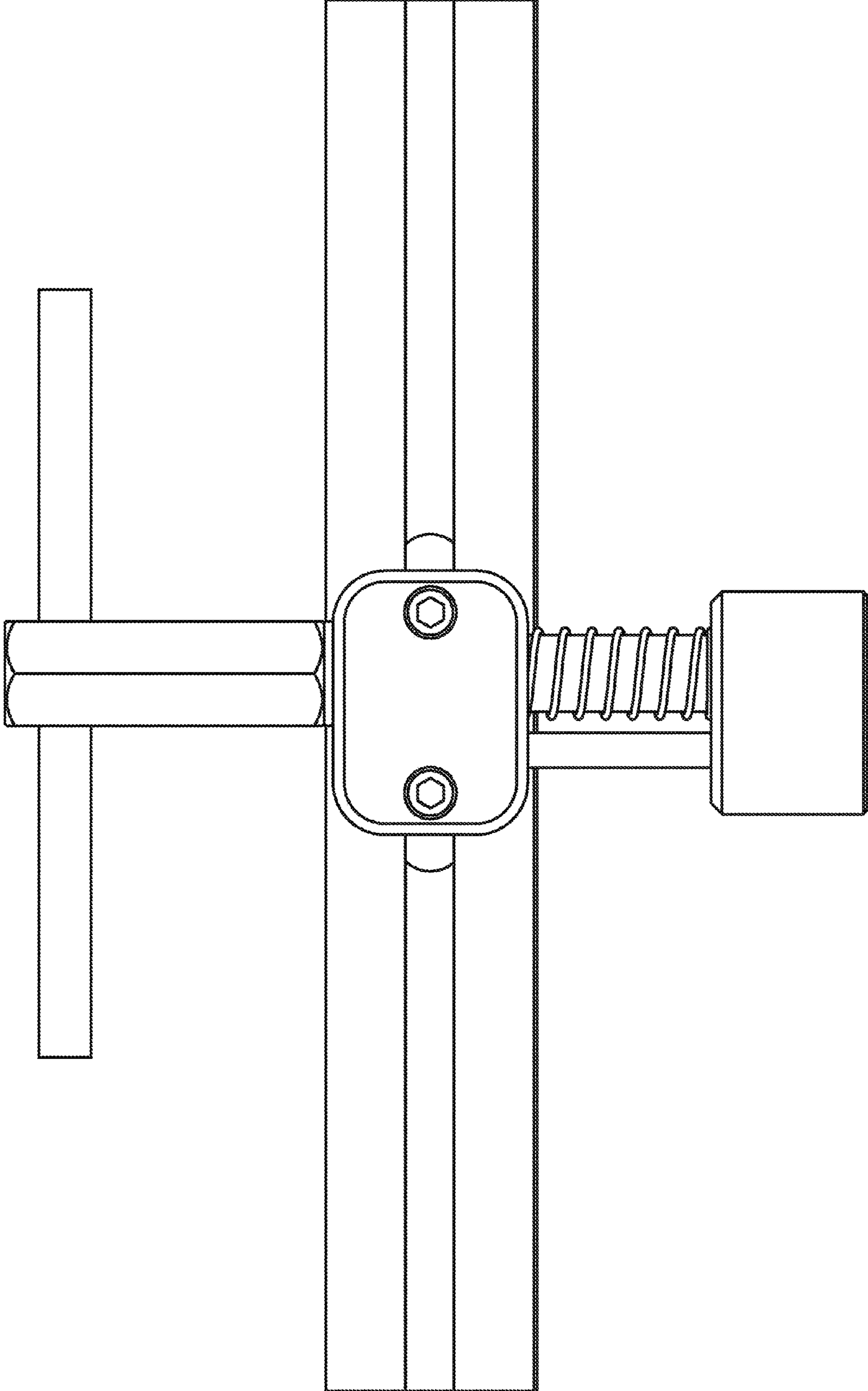


FIG. 4

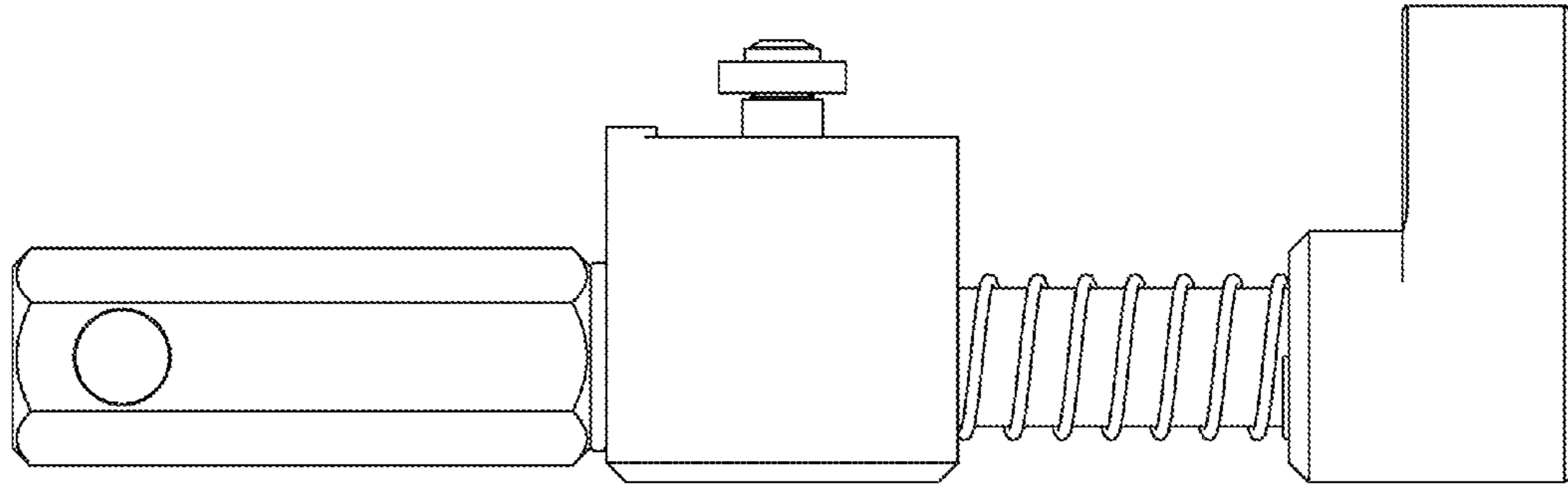


FIG. 5

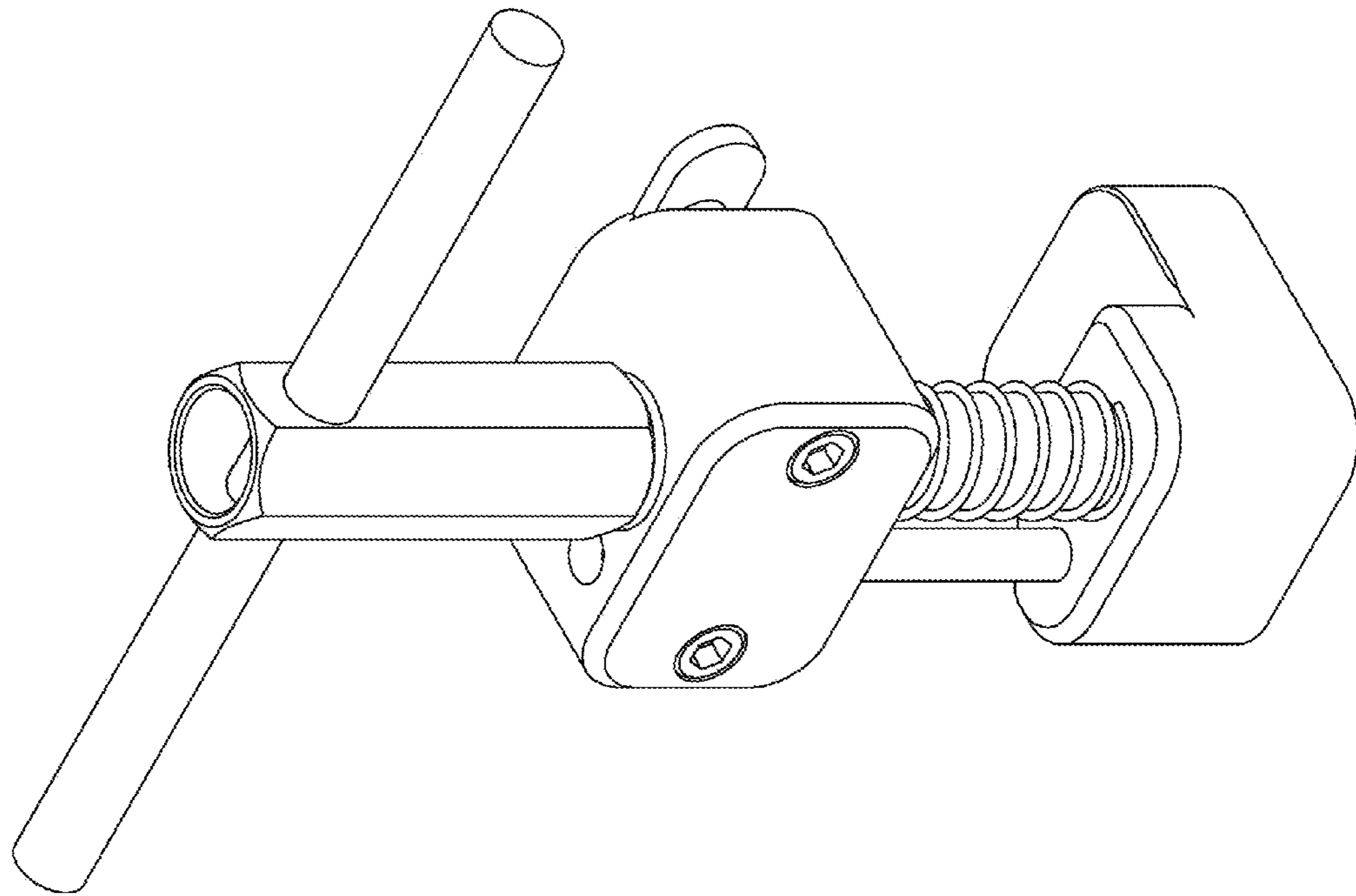


FIG. 6

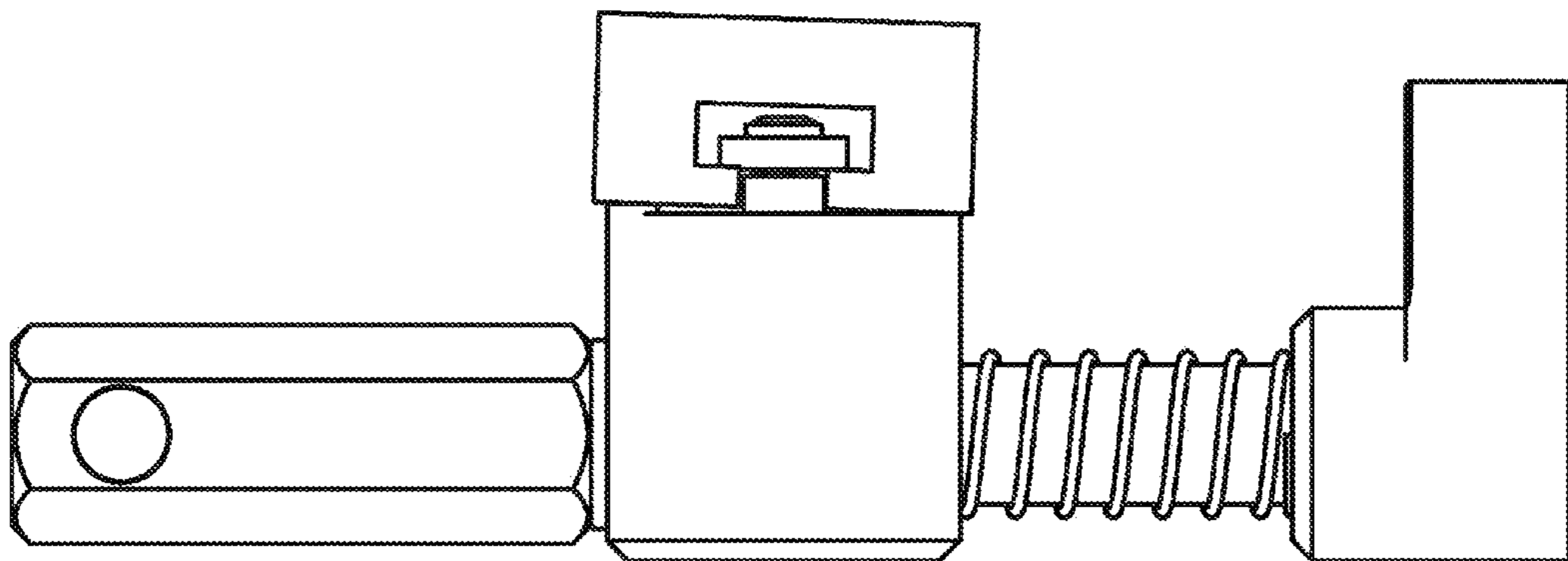


FIG. 7

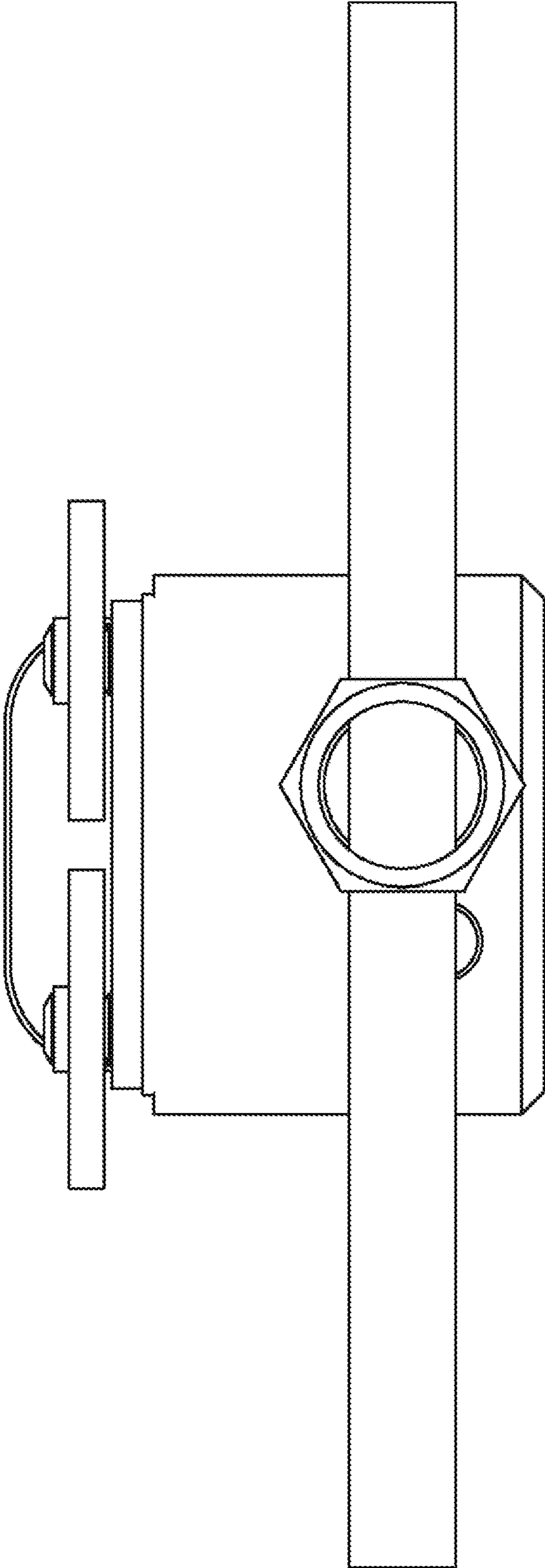


FIG. 8