



US00D597812S

(12) **United States Design Patent**
Wedeven et al.

(10) **Patent No.:** **US D597,812 S**

(45) **Date of Patent:** **** Aug. 11, 2009**

(54) **LIFT TOOL**

(75) Inventors: **Thomas B. Wedeven**, Grand Rapids, MI (US); **Jonathon T. Working**, Zeeland, MI (US)

(73) Assignee: **Industrial Stripping Services, L.L.C.**, Grand Rapids, MI (US)

(**) Term: **14 Years**

(21) Appl. No.: **29/320,415**

(22) Filed: **Jun. 26, 2008**

(51) **LOC (9) Cl.** **08-05**

(52) **U.S. Cl.** **D8/71**

(58) **Field of Classification Search** D8/13, D8/14, 51, 71-74, 307, 349, 354, 363; D34/28, D34/34, 35; 294/1.1, 15, 19.1, 137, 153; 248/296.1, 279.1, 280.11, 284.1, 309.1
See application file for complete search history.

(56) **References Cited**

U.S. PATENT DOCUMENTS

D265,717 S *	8/1982	Weisgerber	D8/51
D267,074 S *	11/1982	Feighery	D8/13
D309,854 S *	8/1990	Smith	D8/51
D341,765 S *	11/1993	Thomas	D8/307
D404,985 S *	2/1999	Fredrickson	D8/14
D423,089 S *	4/2000	Huerta et al.	D8/307

D489,599 S *	5/2004	Lam	D8/363
D490,678 S *	6/2004	Dion	D8/71
D537,323 S *	2/2007	Saez	D8/363
D547,152 S *	7/2007	Anzaldua	D8/51

* cited by examiner

Primary Examiner—Holly H Baynham

Assistant Examiner—Cynthia M Chin

(74) *Attorney, Agent, or Firm*—Warner Norcross & Judd LLP

(57) **CLAIM**

The ornamental design for a lift tool, as shown and described.

DESCRIPTION

FIG. 1 is a top view of the lift tool in an extended position and embodying the new design;

FIG. 2 is a bottom view thereof;

FIG. 3 is a right side view thereof;

FIG. 4 is a left side view thereof;

FIG. 5 is an enlarged front view thereof;

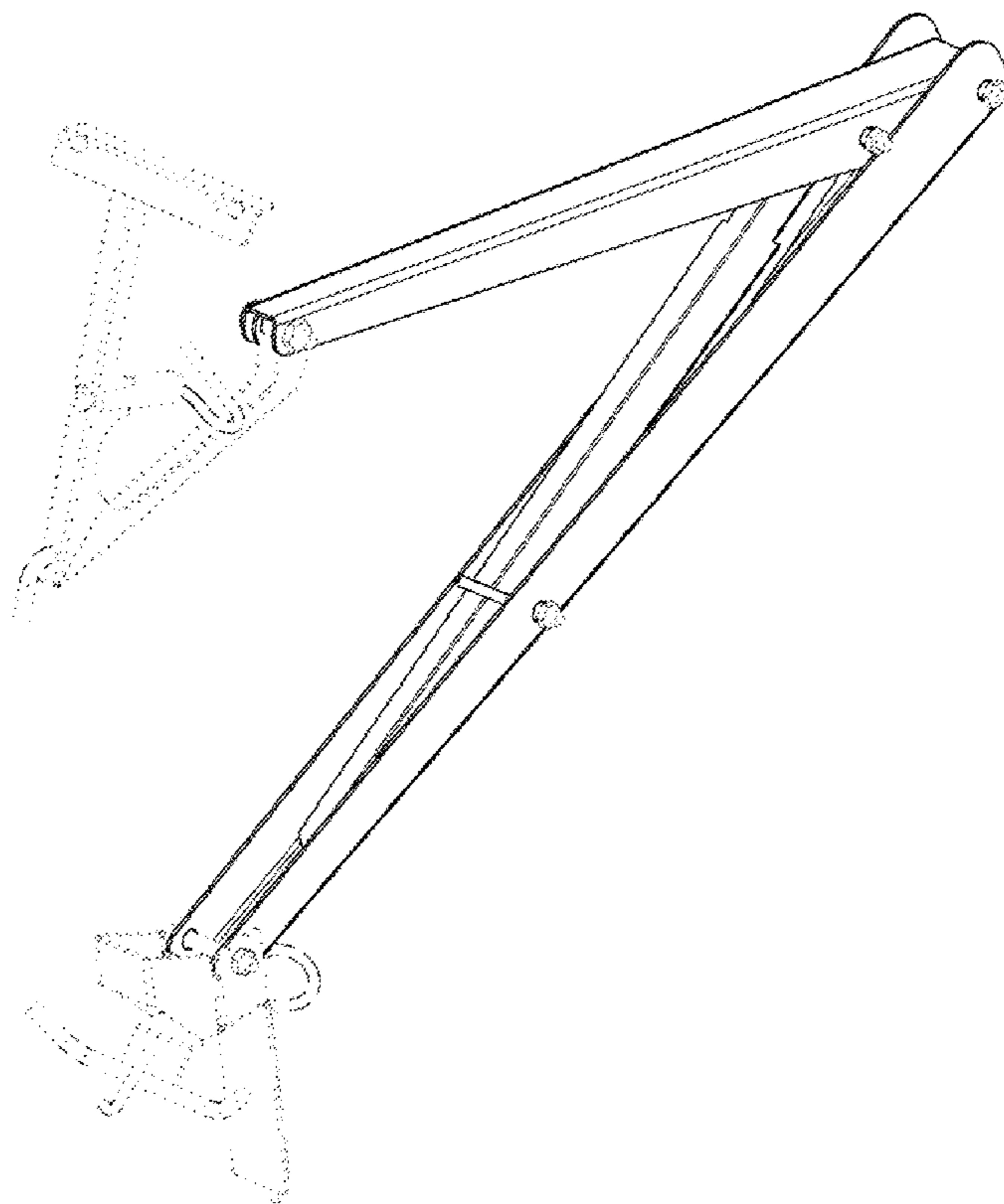
FIG. 6 is an enlarged rear view thereof;

FIG. 7 is a top perspective view thereof; and,

FIG. 8 is a perspective of the lift tool in a folded position.

FIGS. 1-8 show attachment portions at the ends of the lift tool and five sets of bolts and nuts in broken lines, the portions shown in broken lines form no part of the claimed design.

1 Claim, 7 Drawing Sheets



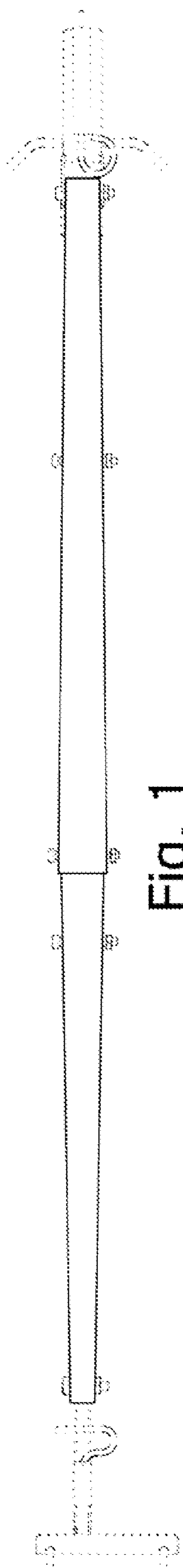


Fig. 1

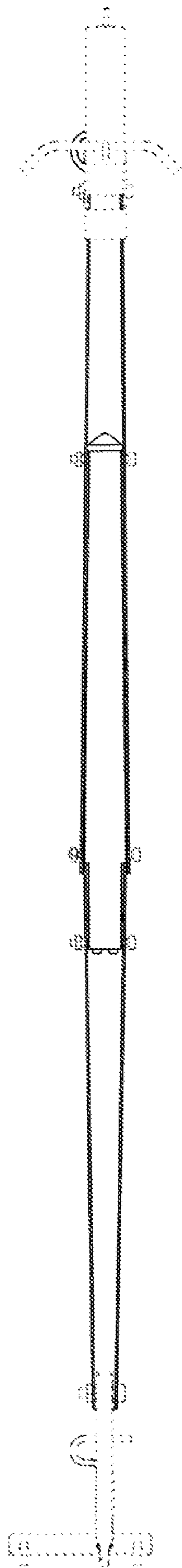


Fig. 2

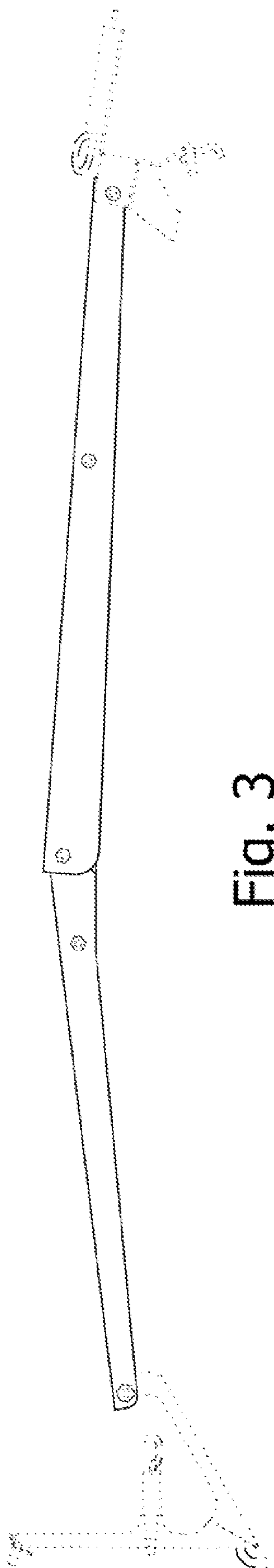


Fig. 3

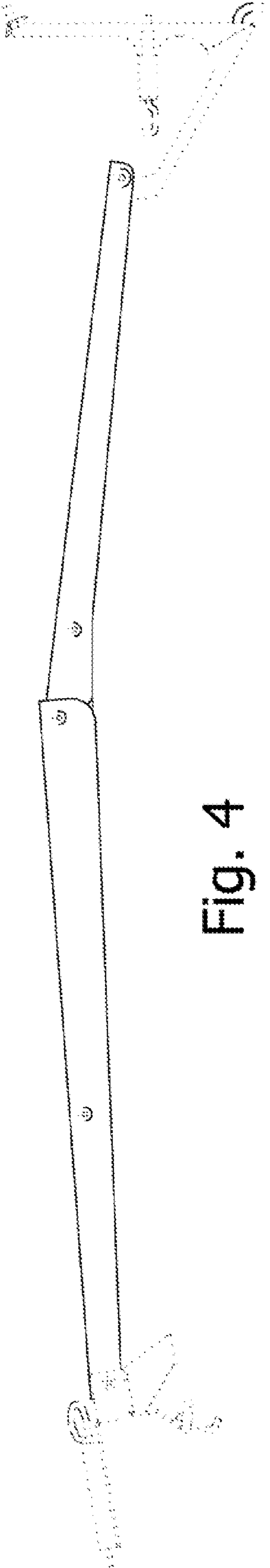


Fig. 4

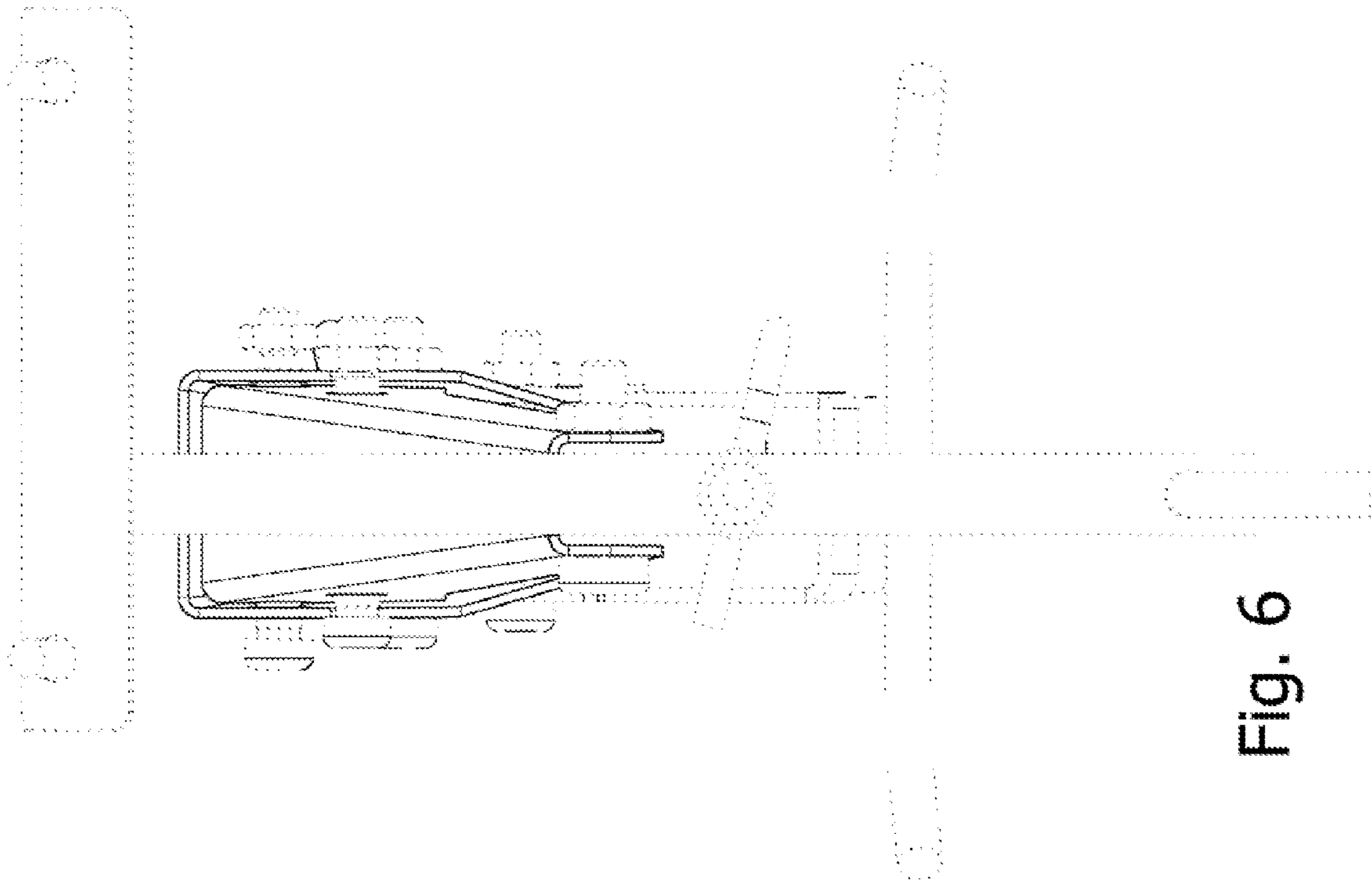


Fig. 6

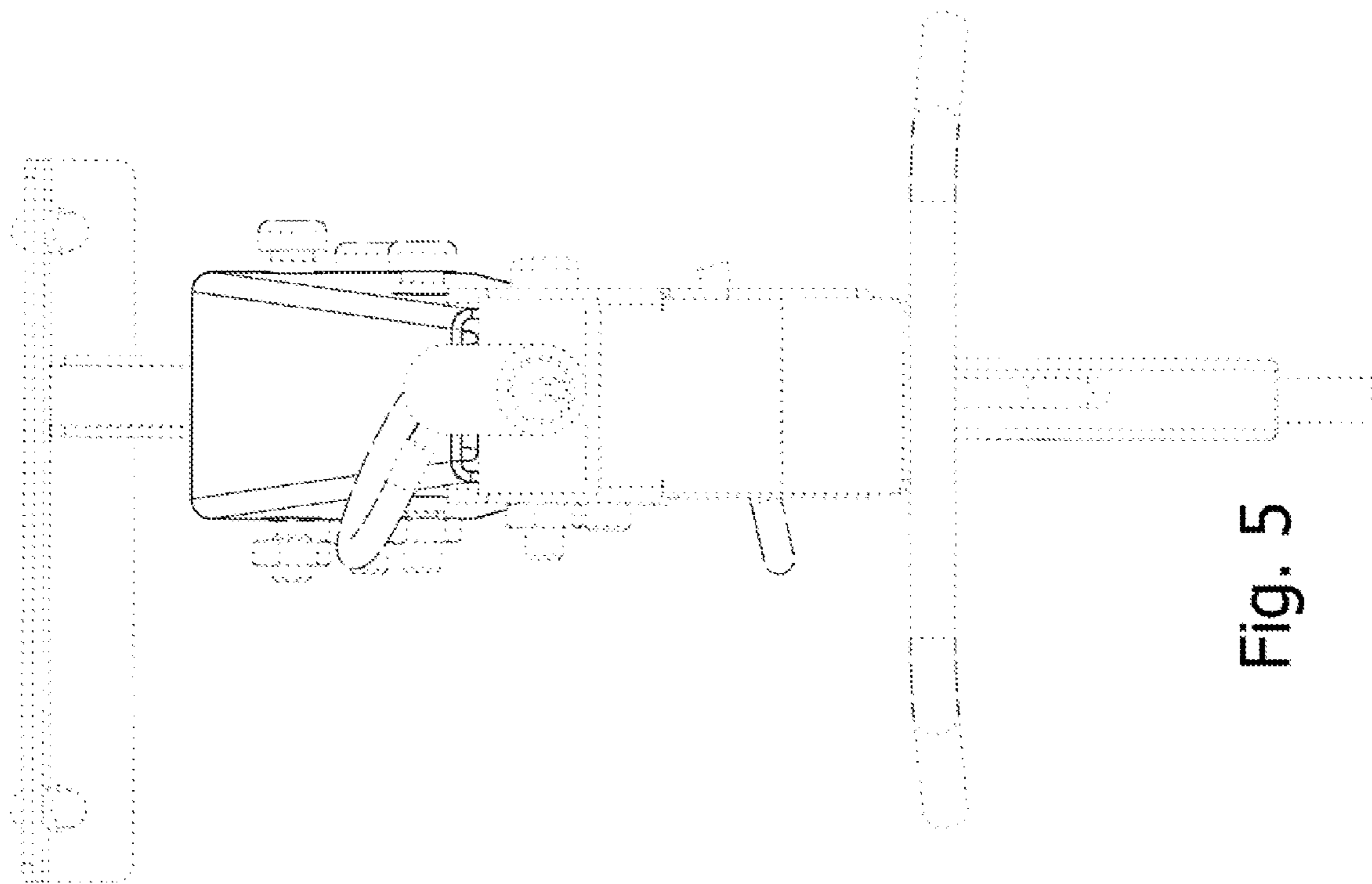


Fig. 5

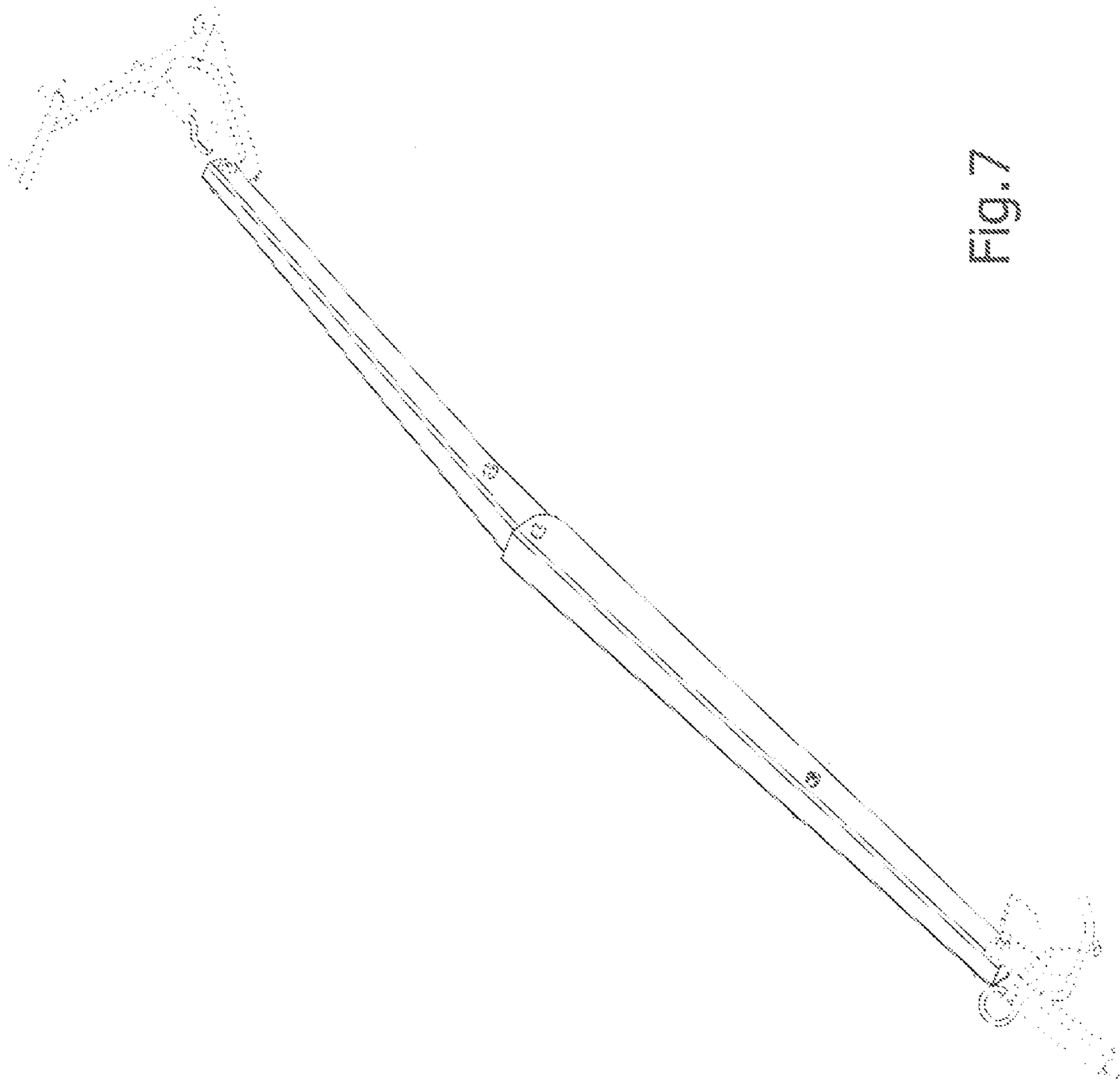


FIG. 7

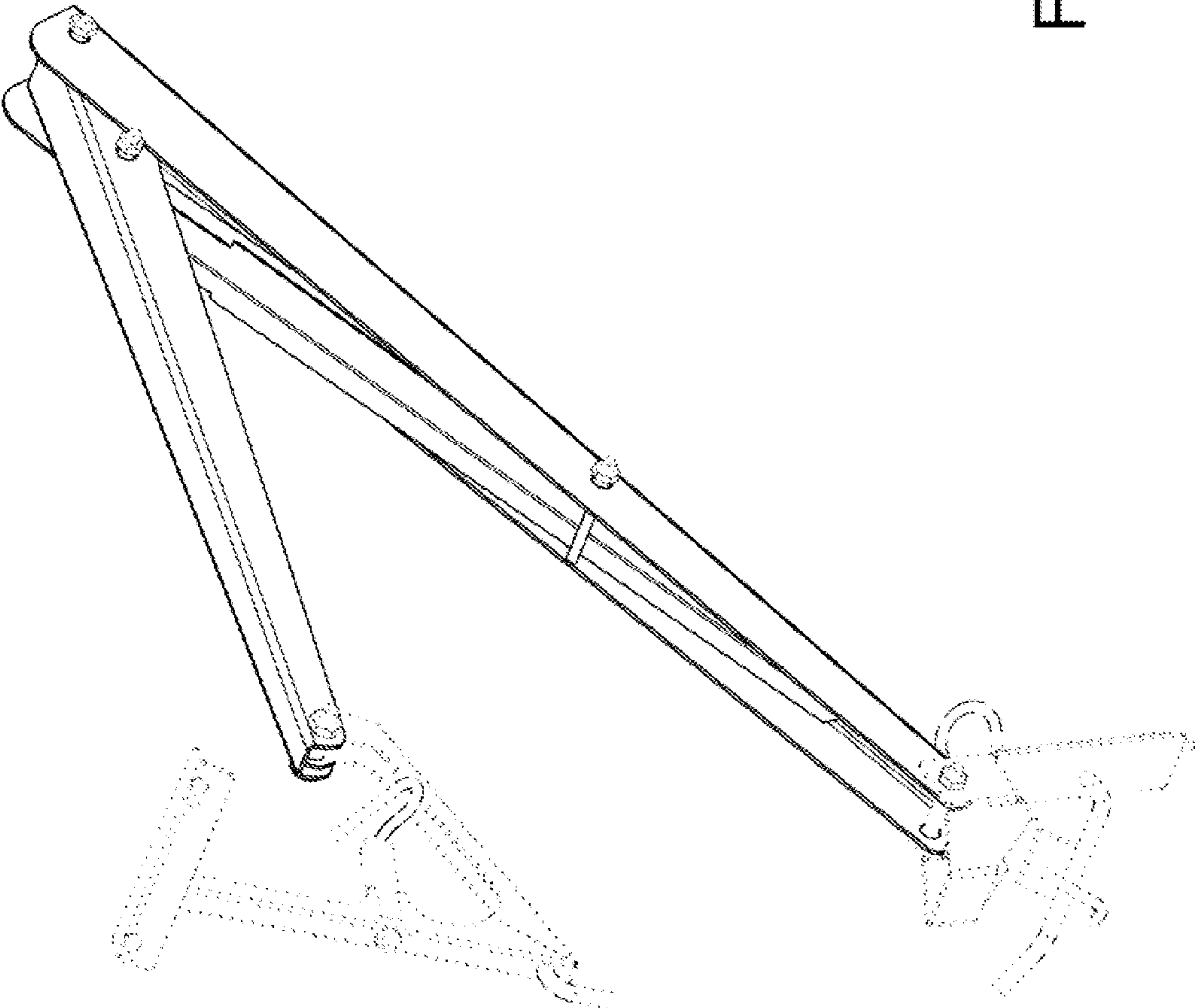


Fig. 8