



US00D597810S

(12) **United States Design Patent**  
**Lo**

(10) **Patent No.:** **US D597,810 S**

(45) **Date of Patent:** **\*\* Aug. 11, 2009**

(54) **STAMPER-SHAPED STAPLER**

(75) Inventor: **Wai Tong Lo**, Kowloon (HK)

(73) Assignee: **Mekosonic Enterprises Limited**,  
Kowloon (HK)

(\*\*) Term: **14 Years**

(21) Appl. No.: **29/319,522**

(22) Filed: **Jun. 10, 2008**

(51) **LOC (9) Cl.** ..... **19-02**

(52) **U.S. Cl.** ..... **D8/49; D18/15**

(58) **Field of Classification Search** ..... D8/49,  
D8/50, 61, 68, 69; D19/72, 73, 65, 69; D21/532;  
D24/145; 7/158, 160; 227/4, 5, 6, 7, 8, 120,  
227/127, 128, 131, 132, 134, 144, 156, 175.1;  
606/139, 143, 153, 219; D18/15, 16, 17,  
D18/18, 50; 101/333, 334, 327, 328  
See application file for complete search history.

(56) **References Cited**

**U.S. PATENT DOCUMENTS**

- D176,581 S \* 1/1956 Albert ..... D18/15
- D195,799 S \* 7/1963 Heilman ..... D8/49
- 4,013,007 A \* 3/1977 Flynn ..... 101/333
- D318,609 S \* 7/1991 Sato ..... D8/49
- D362,606 S \* 9/1995 Deschenes et al. .... D8/51
- D400,566 S \* 11/1998 Schreiberhuber ..... D18/15

- D421,452 S \* 3/2000 Pichler ..... D18/15
- D451,944 S \* 12/2001 Lipkin et al. .... D18/15
- D542,835 S \* 5/2007 Faber ..... D18/15
- D573,428 S \* 7/2008 Fraga ..... D8/49
- D584,341 S \* 1/2009 Watanabe et al. .... D18/15
- D588,187 S \* 3/2009 Shih ..... D18/15

\* cited by examiner

*Primary Examiner*—Cathron C Brooks

*Assistant Examiner*—Austin Murphy

(74) *Attorney, Agent, or Firm*—Intellectual Property Law  
Group LLP; Juneko Jackson; Otto O. Lee

(57) **CLAIM**

The ornamental design for a stamper-shaped stapler, as  
shown and described.

**DESCRIPTION**

FIG. 1 is a perspective view of a stamper-shaped stapler  
embodying my new design;

FIG. 2 is a front view thereof;

FIG. 3 is a rear view thereof;

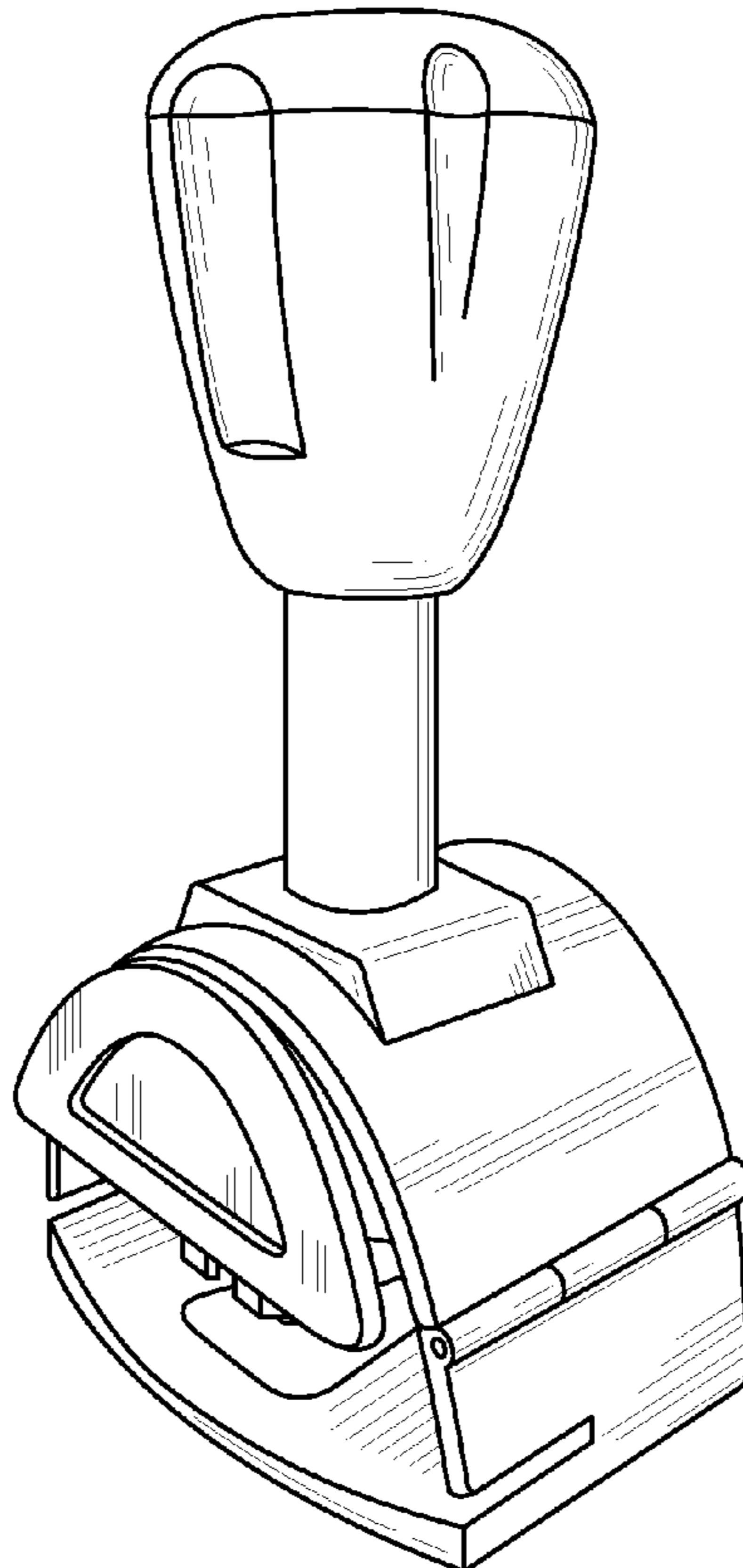
FIG. 4 is a left side view thereof;

FIG. 5 is a right side view thereof;

FIG. 6 is a top plan view thereof; and,

FIG. 7 is a bottom plan view thereof.

**1 Claim, 3 Drawing Sheets**



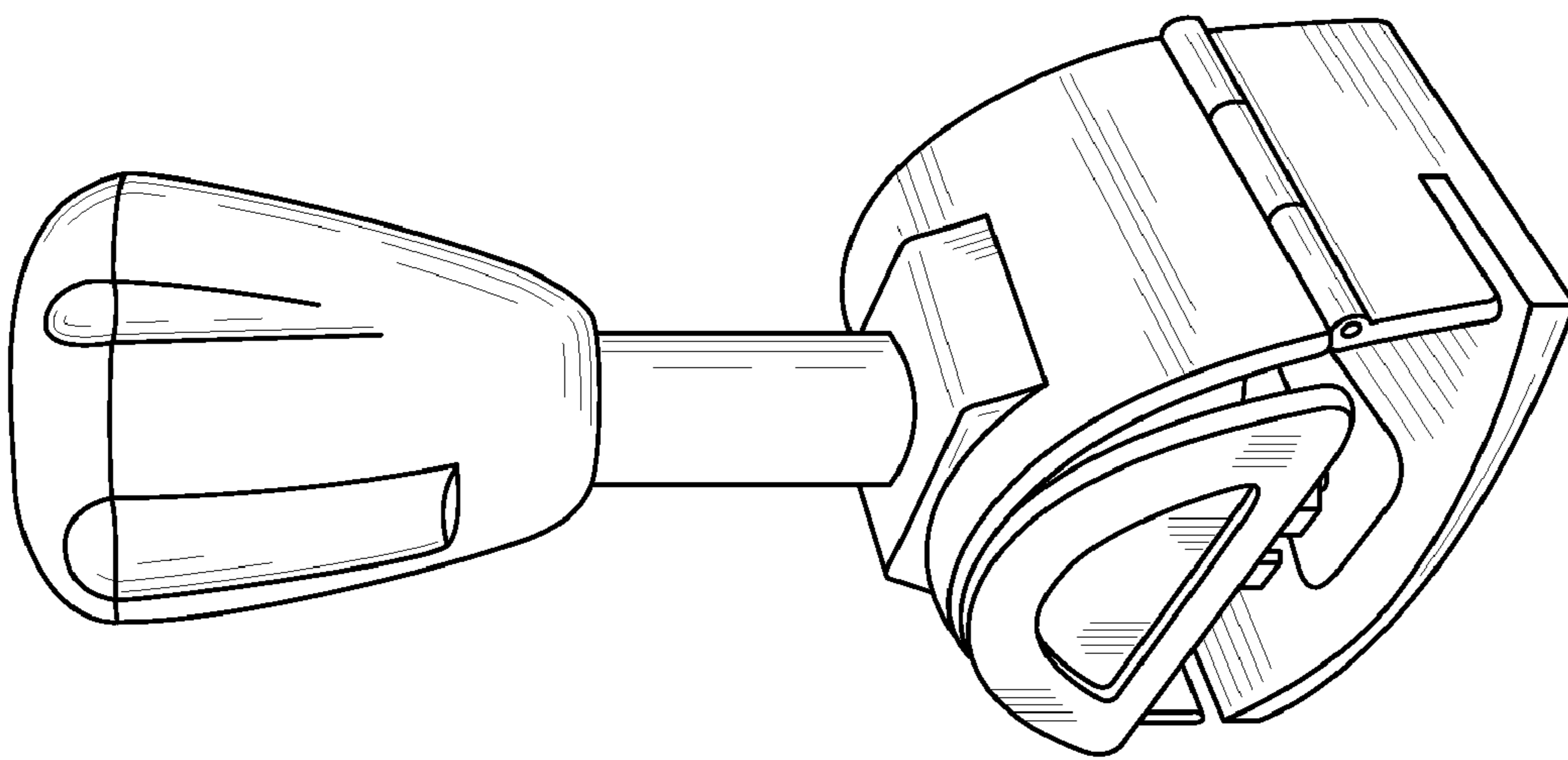


FIG. 1

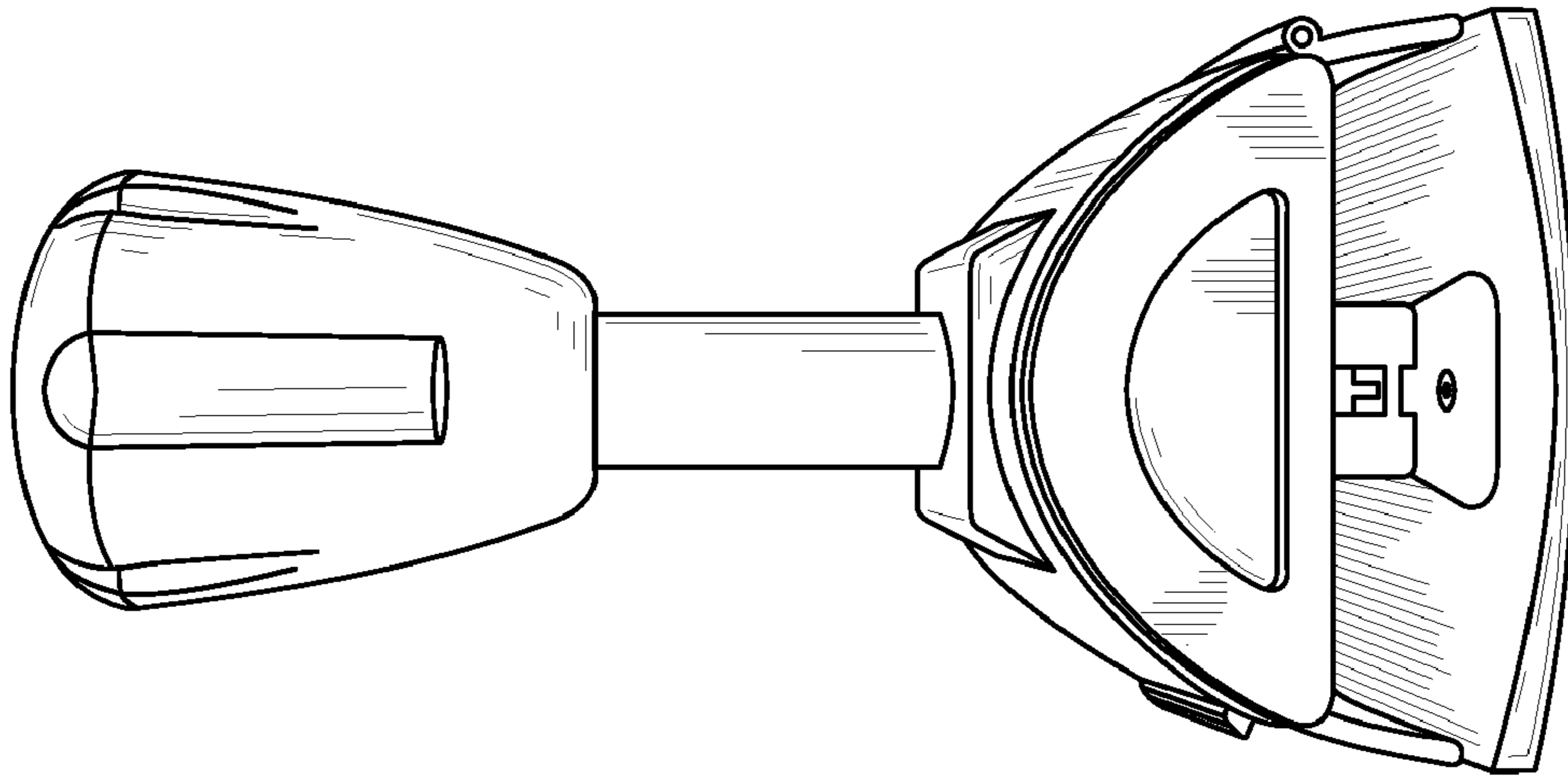


FIG. 2

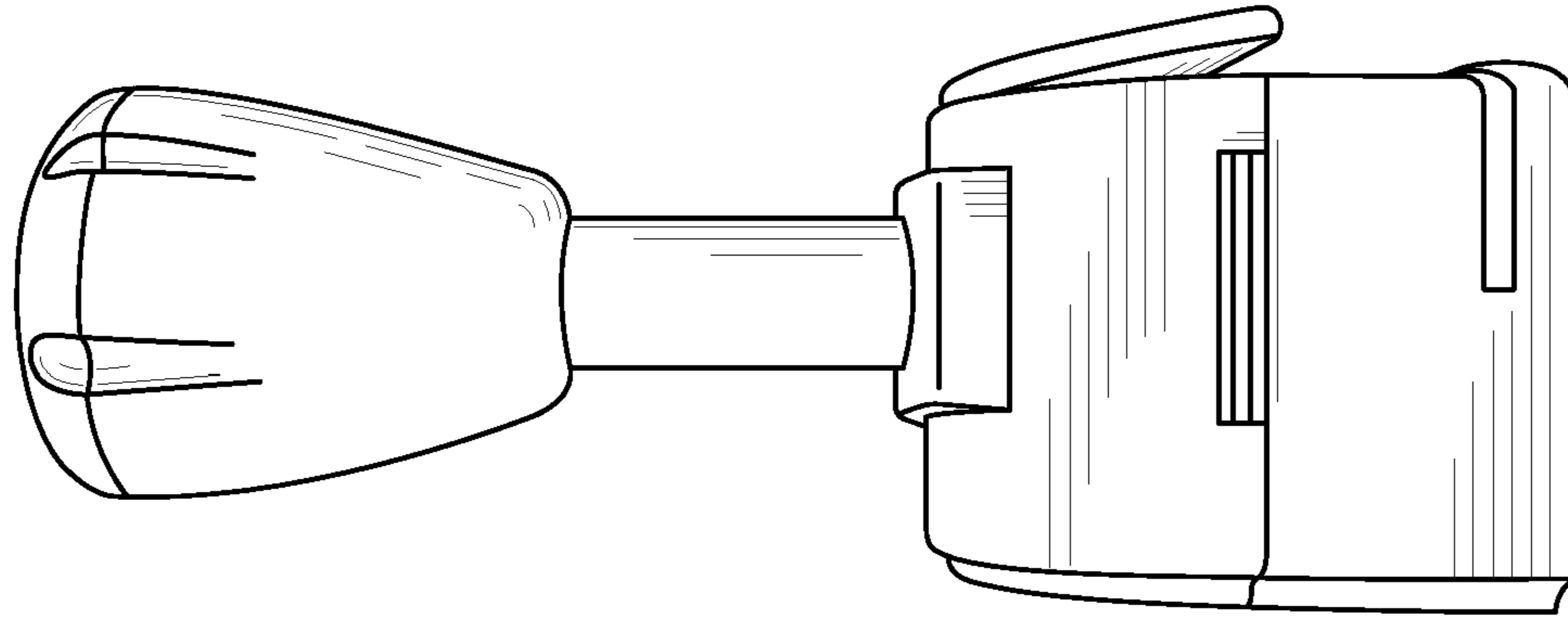


FIG. 4

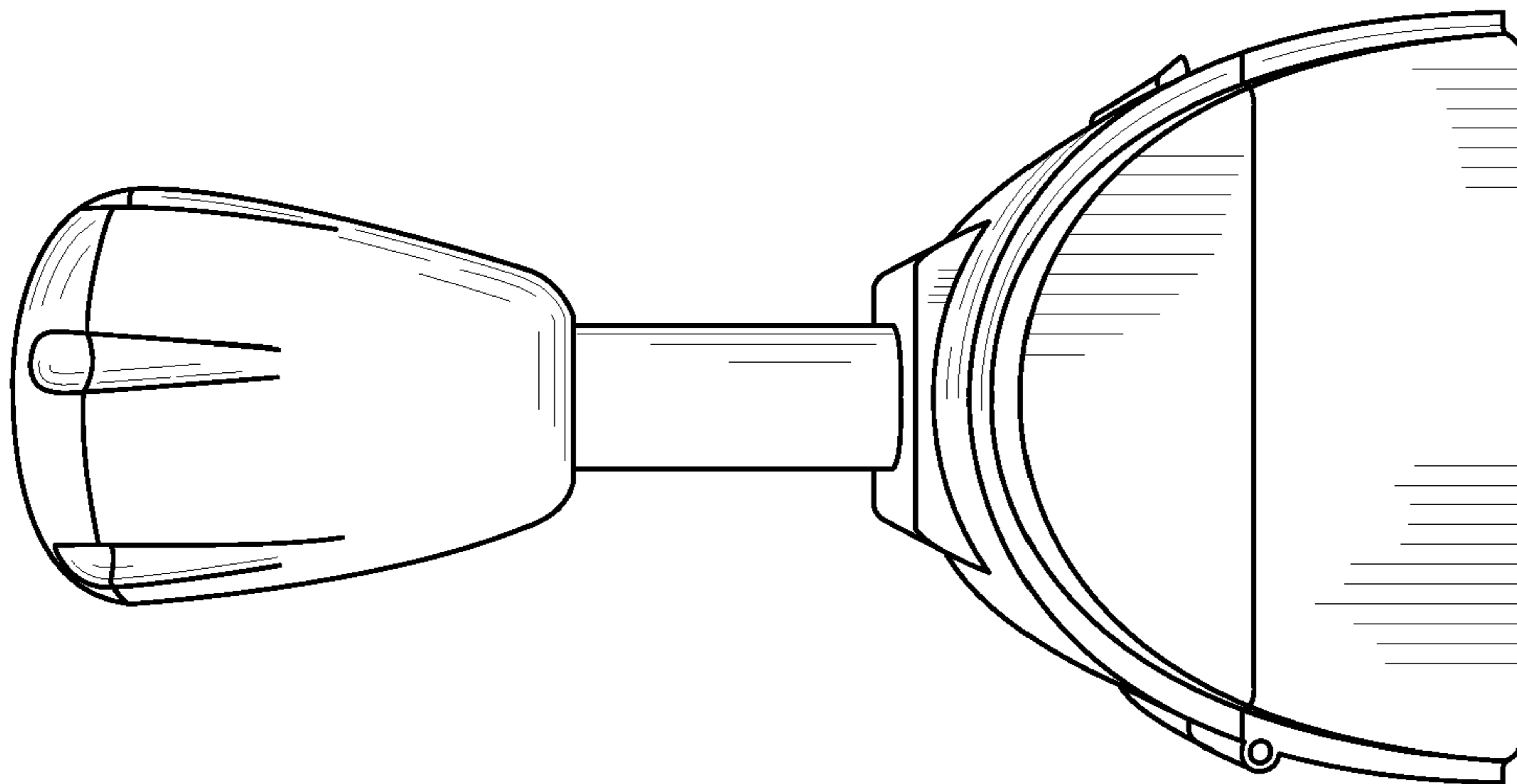


FIG. 3

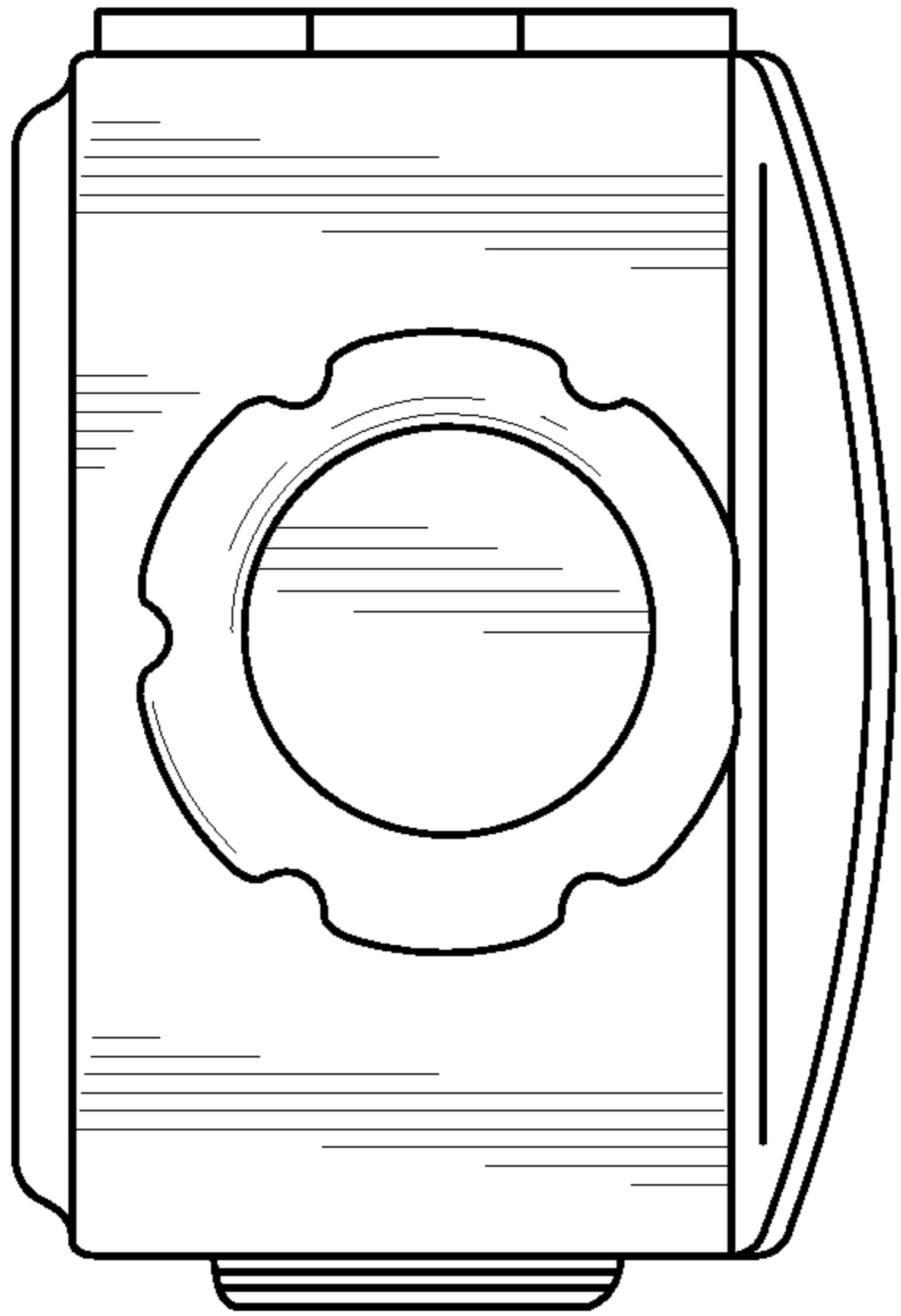


FIG. 6

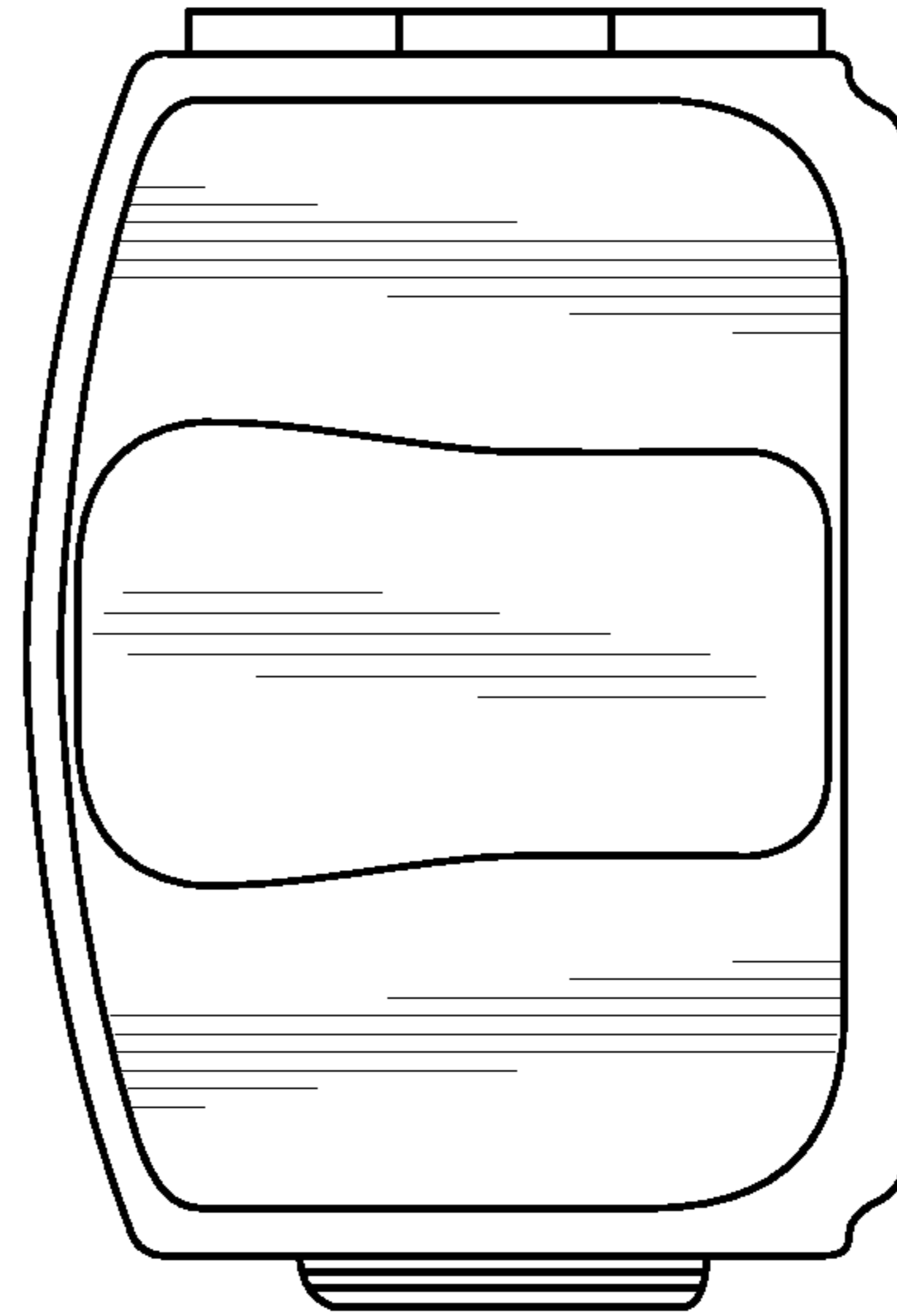


FIG. 7

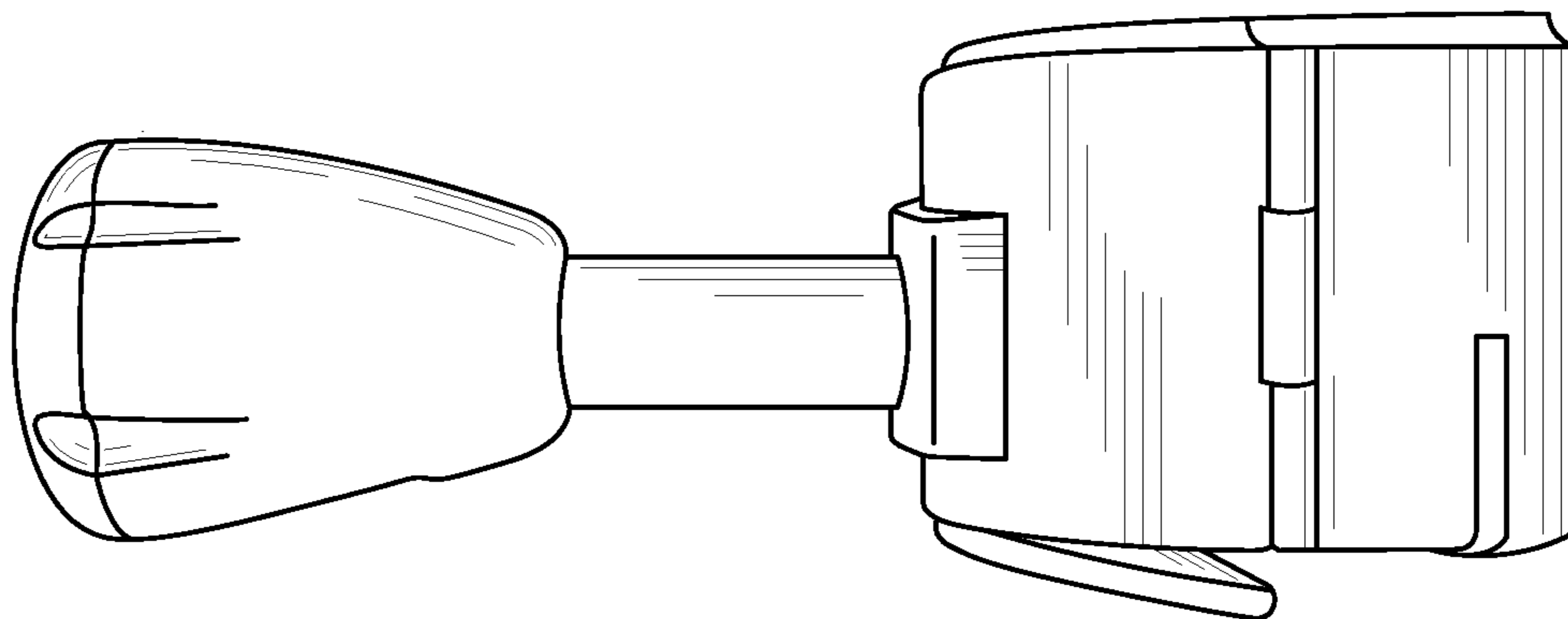


FIG. 5