



US00D597809S

(12) **United States Design Patent**  
**Hsieh**

(10) **Patent No.:** **US D597,809 S**

(45) **Date of Patent:** **\*\* Aug. 11, 2009**

(54) **HAND TOOL**

(76) Inventor: **Chih-Ching Hsieh**, No. 367 Beiyang Road, Fongyuan (TW) 420

(\*\*) Term: **14 Years**

(21) Appl. No.: **29/324,723**

(22) Filed: **Sep. 18, 2008**

(51) **LOC (9) Cl.** ..... **08-05**

(52) **U.S. Cl.** ..... **D8/29**

(58) **Field of Classification Search** ..... D8/21-29;  
81/60, 177.1, 177.85, 121.1, 124.3, 165-170,  
81/110.1, 176.2, 124.6, 176.1, 176.15; 16/110.1;  
D15/144.1; 219/75, 227, 229, 121.16, 121.18  
See application file for complete search history.

(56) **References Cited**

**U.S. PATENT DOCUMENTS**

4,512,220	A *	4/1985	Barnhill et al.	81/121.1
D338,146	S *	8/1993	Gramera	D8/70
5,279,190	A *	1/1994	Goss et al.	81/460
6,079,299	A *	6/2000	Sundstrom	81/121.1
D495,569	S *	9/2004	Halstead	D8/25
D498,778	S *	11/2004	Hu	D15/148
6,851,336	B2 *	2/2005	Yu	81/124.3
D564,849	S *	3/2008	Hsieh	D8/29
D570,657	S *	6/2008	Hsieh	D8/29

2007/0084312 A1\* 4/2007 Lee ..... 81/60

\* cited by examiner

*Primary Examiner*—Raphael Barkai

*Assistant Examiner*—Randall H Gholson

(74) *Attorney, Agent, or Firm*—Wang Law Firm, Inc.; Li K. Wang

(57) **CLAIM**

The ornamental design for a hand tool, as shown and described.

**DESCRIPTION**

FIG. 1 is a perspective view of a hand tool showing my new design;

FIG. 2 is a front elevational view thereof;

FIG. 3 is a rear elevational view thereof;

FIG. 4 is a left side view thereof;

FIG. 5 is a right side view thereof;

FIG. 6 is a top plan view thereof;

FIG. 7 is a bottom plan view thereof;

FIG. 8 is a view of the hand tool is used with a wrench; and,

FIG. 9 is a view of the hand tool is used with a socket.

The sockets and wrench in FIGS. 1-9 are shown in broken lines for illustrative purposes only and form no part of the claimed design.

**1 Claim, 6 Drawing Sheets**



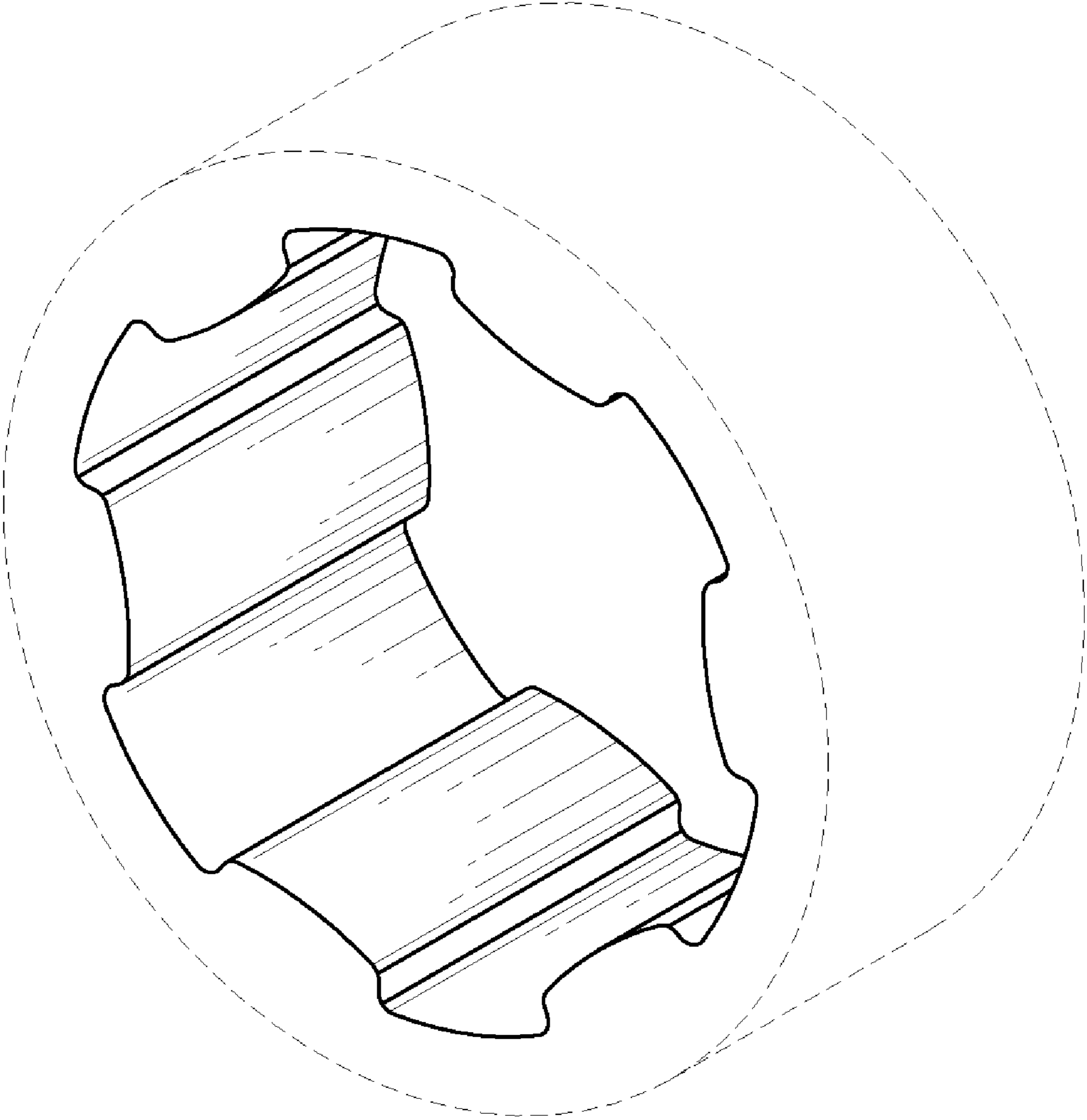


FIG. 1

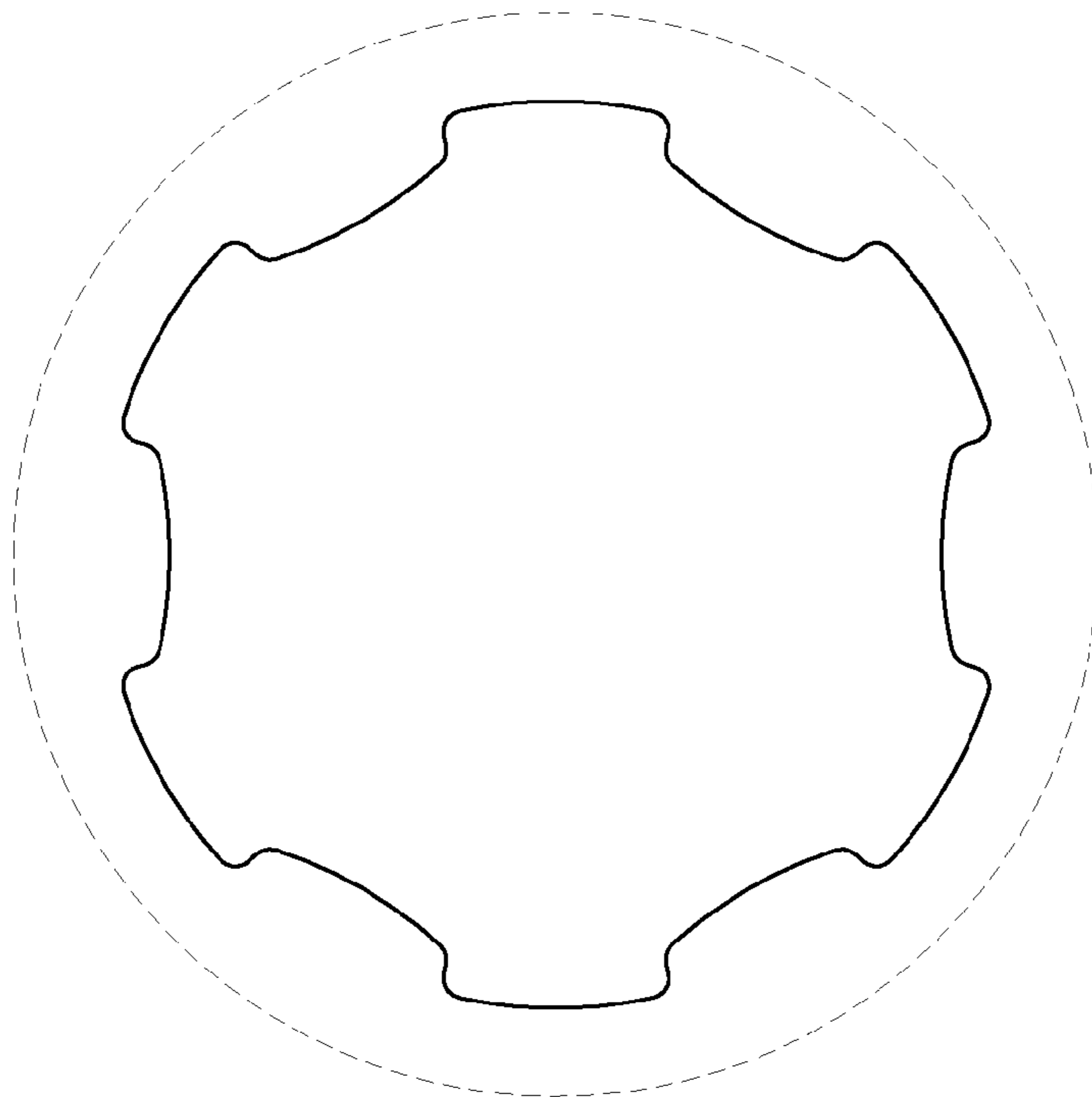


FIG. 2

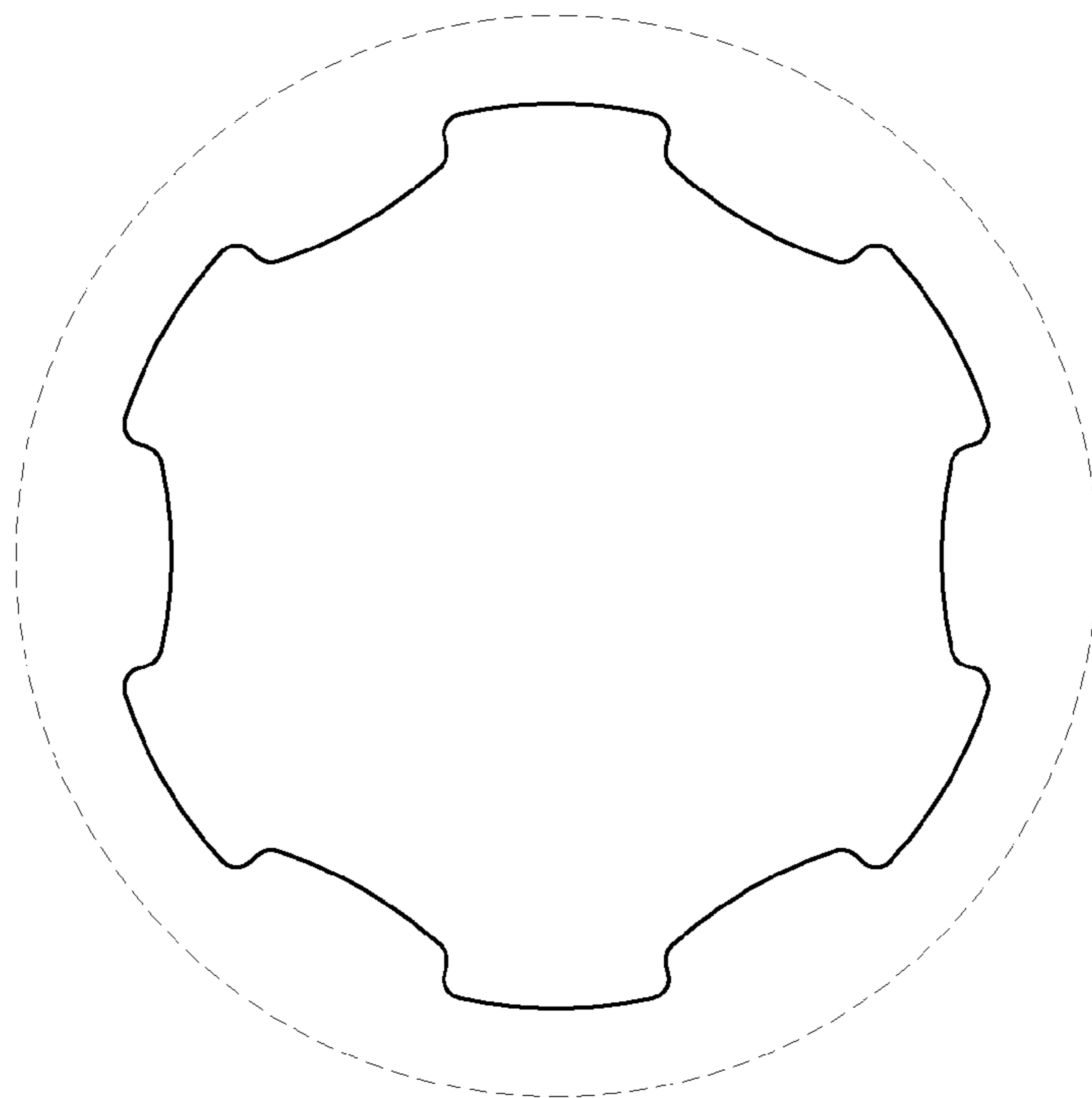


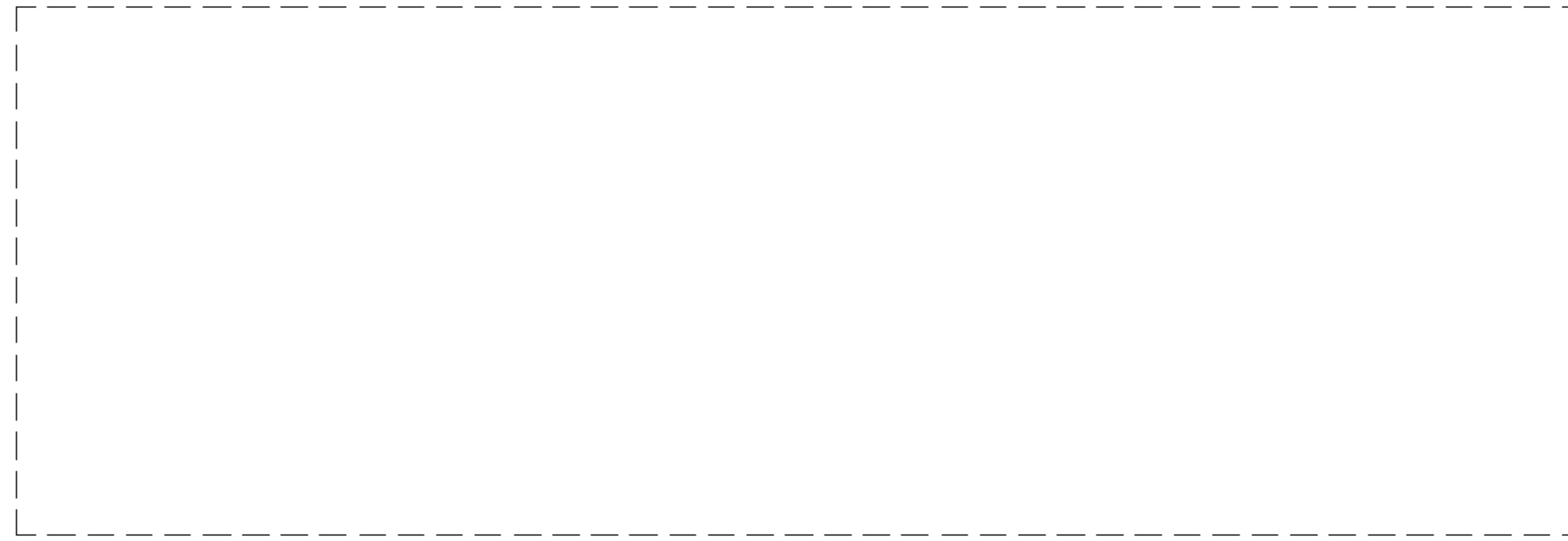
FIG. 3



**FIG. 4**



**FIG. 5**



**FIG. 6**



**FIG. 7**

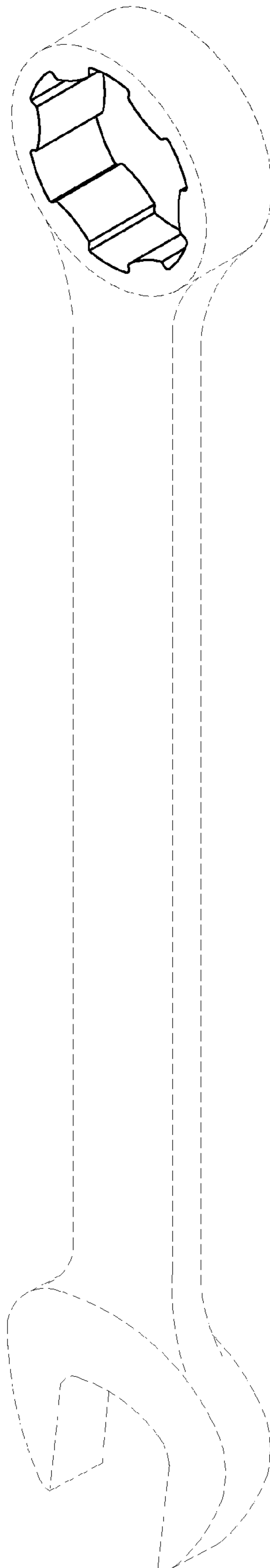


FIG. 8

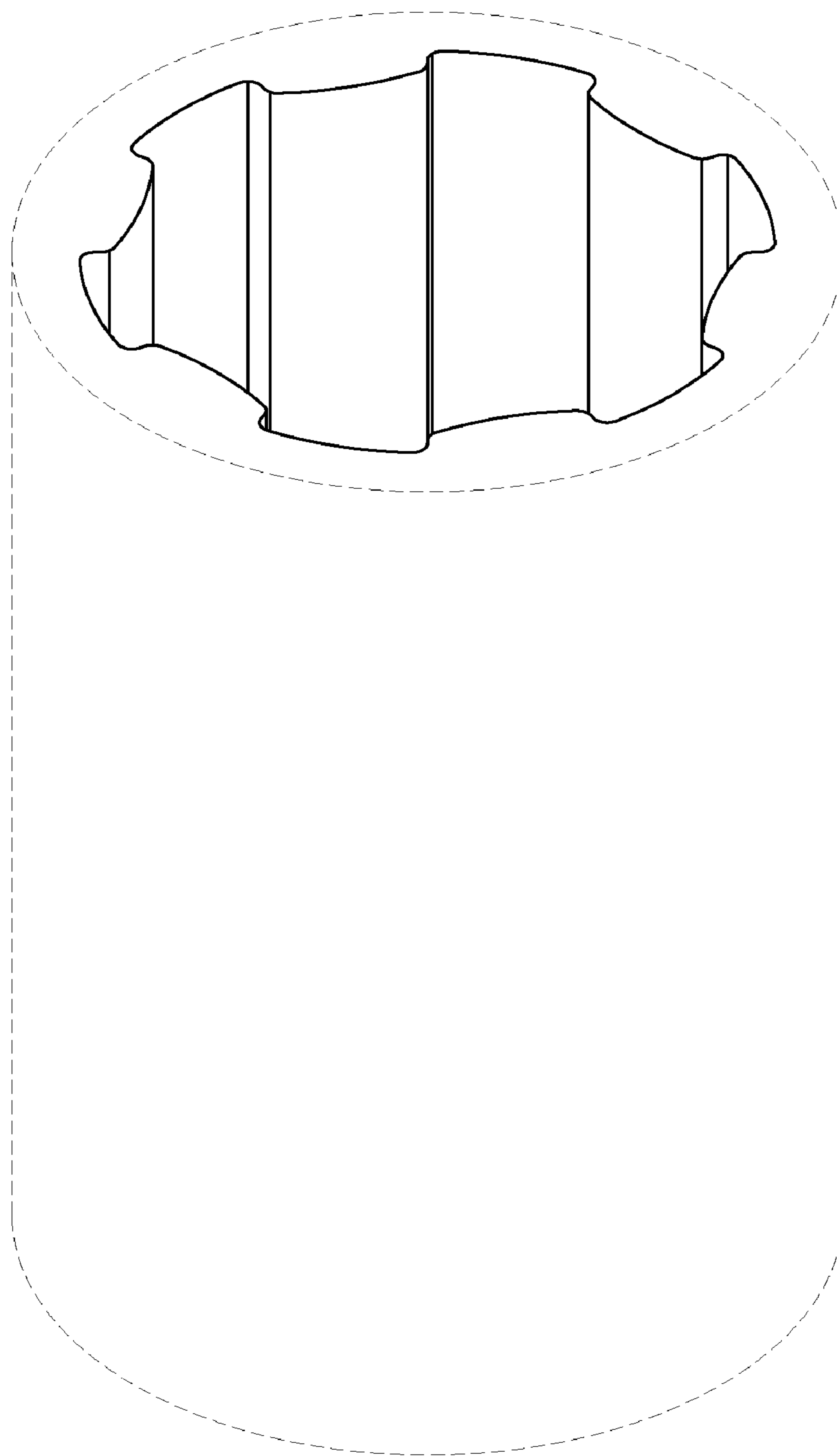


FIG. 9