



US00D597806S

(12) **United States Design Patent**
Davidson

(10) **Patent No.:** **US D597,806 S**

(45) **Date of Patent:** **** Aug. 11, 2009**

(54) **ADJUSTABLE WRENCH**

(75) Inventor: **James D. Davidson**, St. Charles, IL (US)

(73) Assignee: **Sears Brands, LLC**, Hoffman Estates, IL (US)

(**) Term: **14 Years**

(21) Appl. No.: **29/325,181**

(22) Filed: **Sep. 26, 2008**

(51) **LOC (9) Cl.** **08-05**

(52) **U.S. Cl.** **D8/22**

(58) **Field of Classification Search** D8/21-30;
81/60, 177.1, 177.85, 121.1, 124.3, 165-170,
81/110.1, 176.2, 124.6, 176.1, 176.15, 177.2;
16/110.1; D15/144.1; 219/75, 227, 229,
219/121.16, 121.18

See application file for complete search history.

(56) **References Cited**

U.S. PATENT DOCUMENTS

292,168 A * 1/1884 Lytle 7/138
1,562,018 A * 11/1925 Warff 81/437
2,646,711 A * 7/1953 Yavner 81/179
2,722,150 A * 11/1955 Green 81/165

2,724,301 A * 11/1955 Parent et al. 81/145
5,345,636 A * 9/1994 Lamons 7/139
6,186,034 B1 * 2/2001 Lamons 81/177.9
6,834,569 B2 * 12/2004 Wang 81/133
7,284,465 B1 * 10/2007 Chen 81/165

* cited by examiner

Primary Examiner—Raphael Barkai

Assistant Examiner—Randall H Gholson

(74) *Attorney, Agent, or Firm*—Greenberg Traurig LLP

(57) **CLAIM**

What is claimed is the ornamental design for an adjustable wrench, as shown and described.

DESCRIPTION

FIG. 1 is an isometric view of an adjustable wrench;

FIG. 2 is a first side-view of the adjustable wrench;

FIG. 3 is a second side-view of the adjustable wrench;

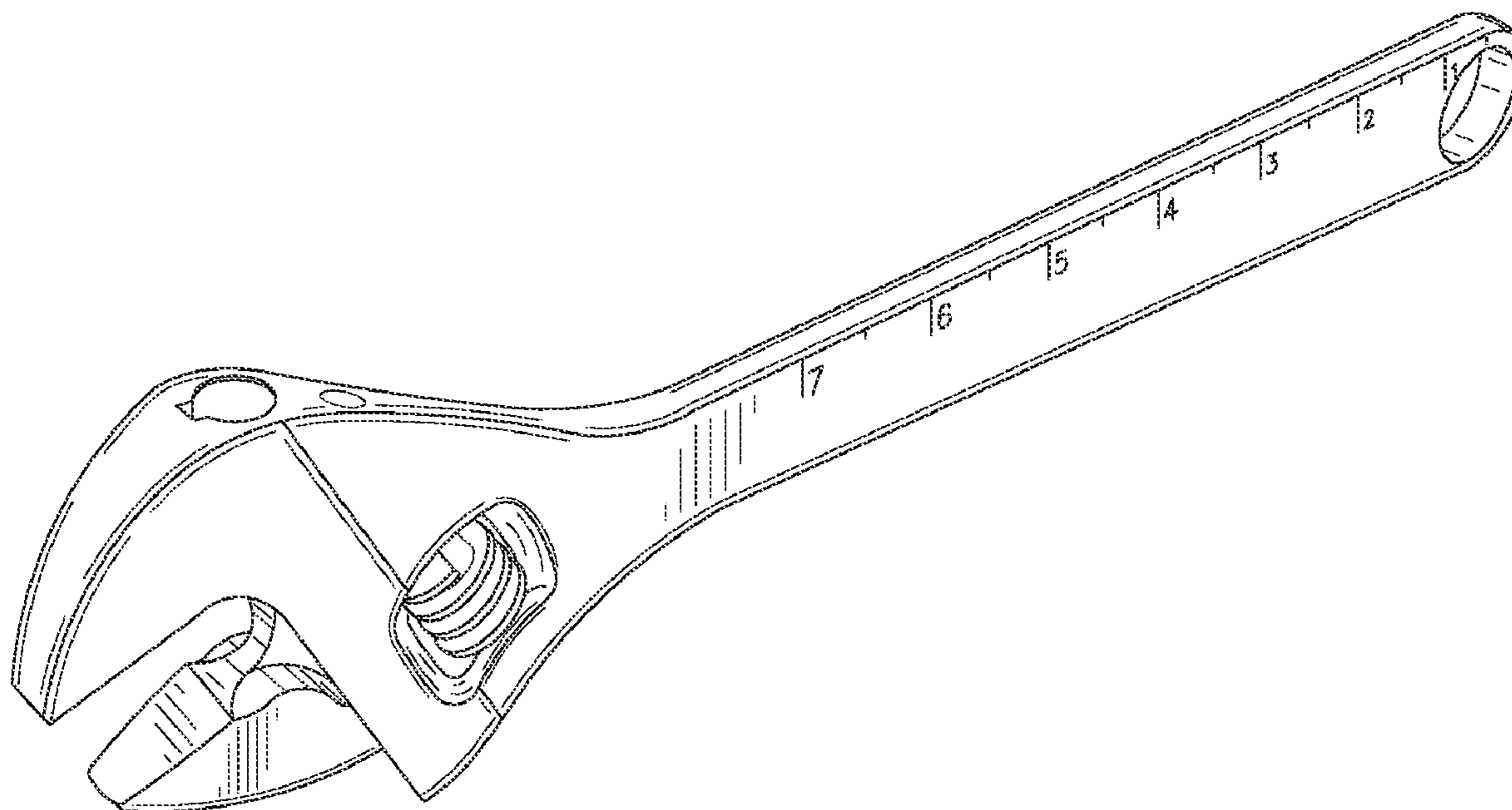
FIG. 4 is a top view of the adjustable wrench;

FIG. 5 is a bottom view of the adjustable wrench;

FIG. 6 is a first end-view of the adjustable wrench; and,

FIG. 7 is a second end-view of the adjustable wrench.

1 Claim, 3 Drawing Sheets



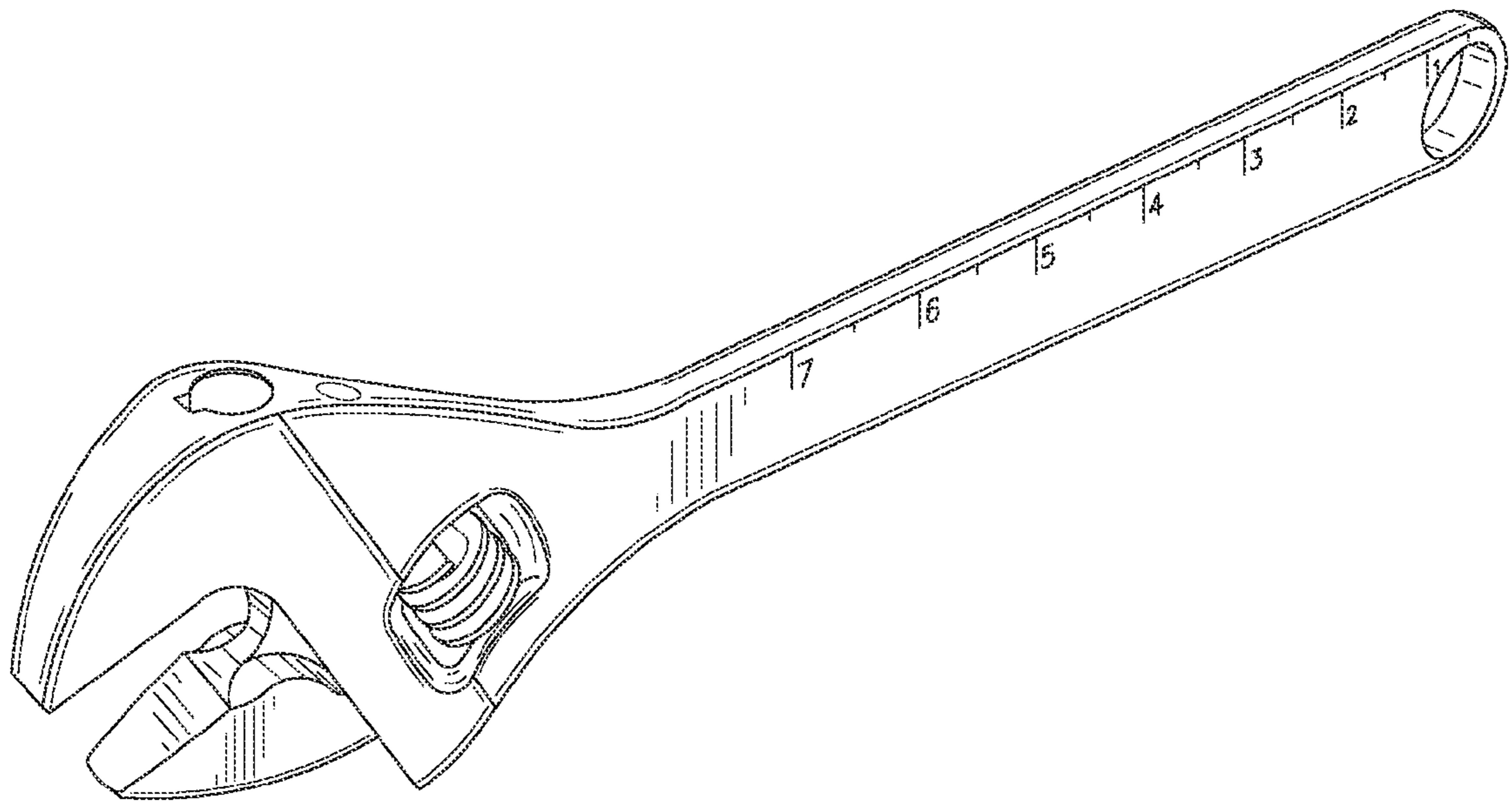


FIG. 1

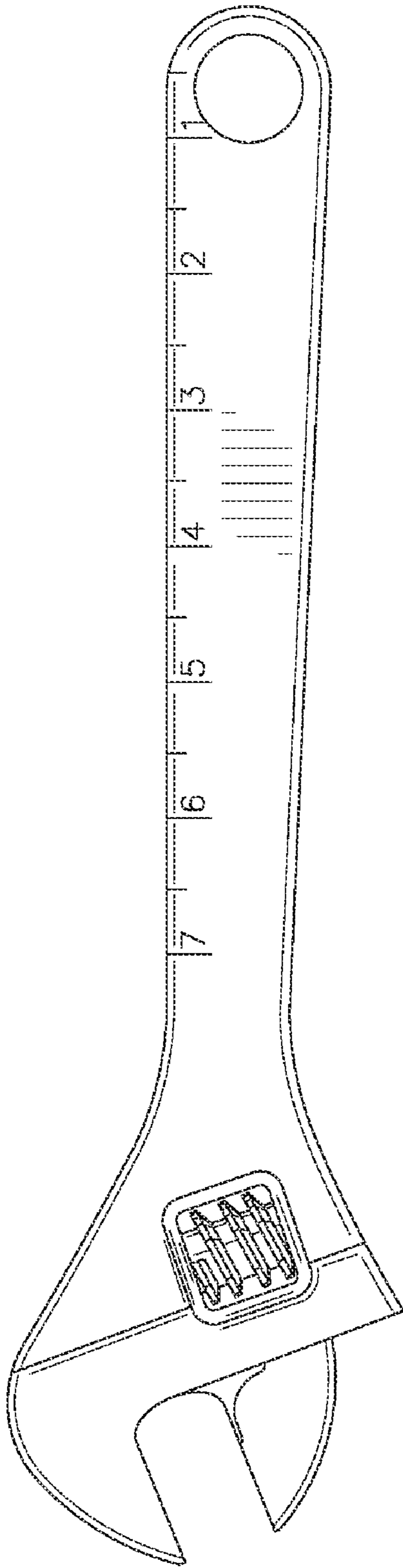


FIG. 2

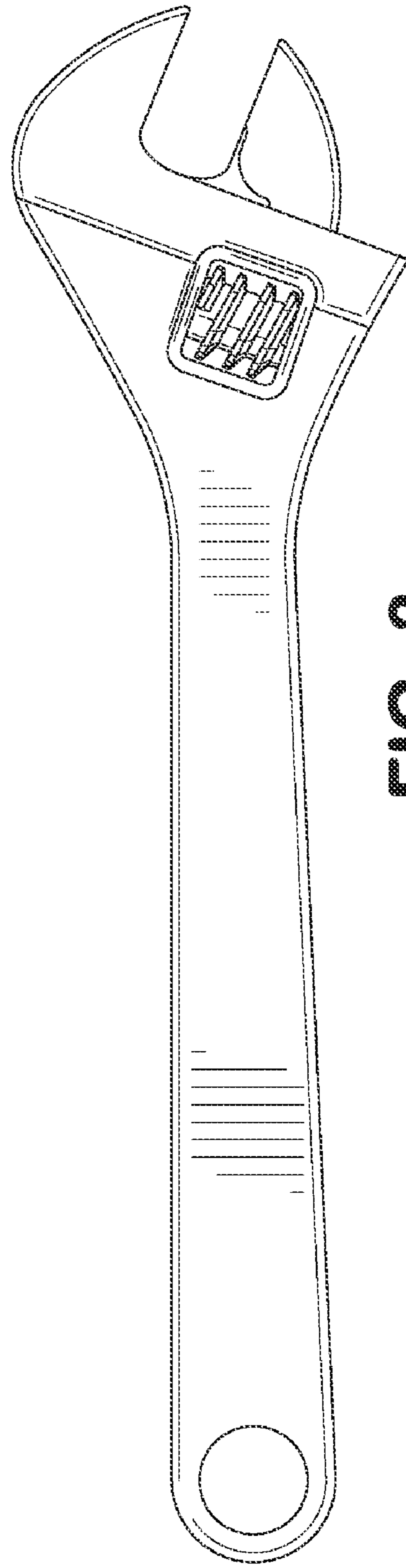


FIG. 3

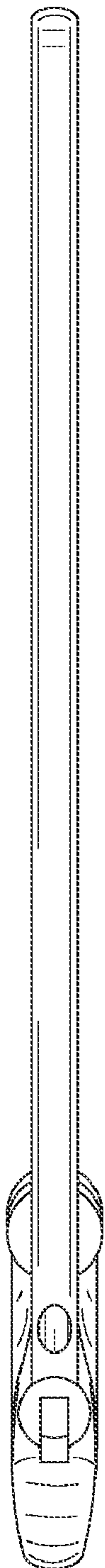


FIG. 4

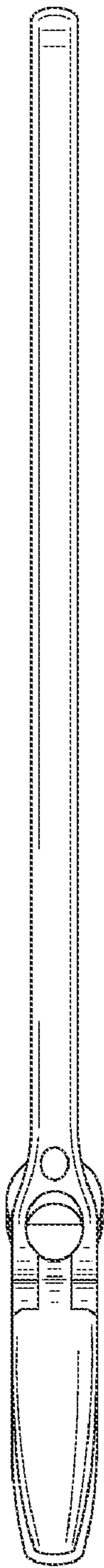


FIG. 5

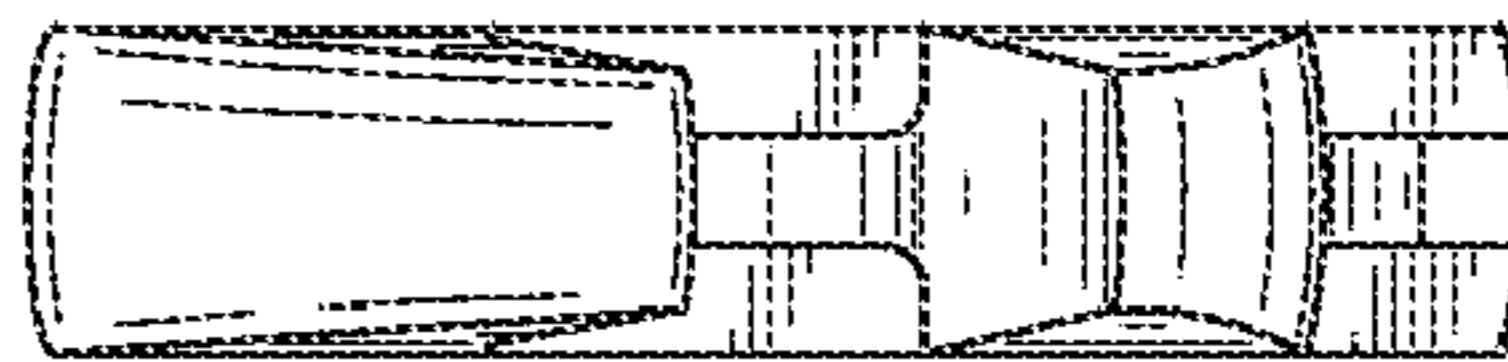


FIG. 6

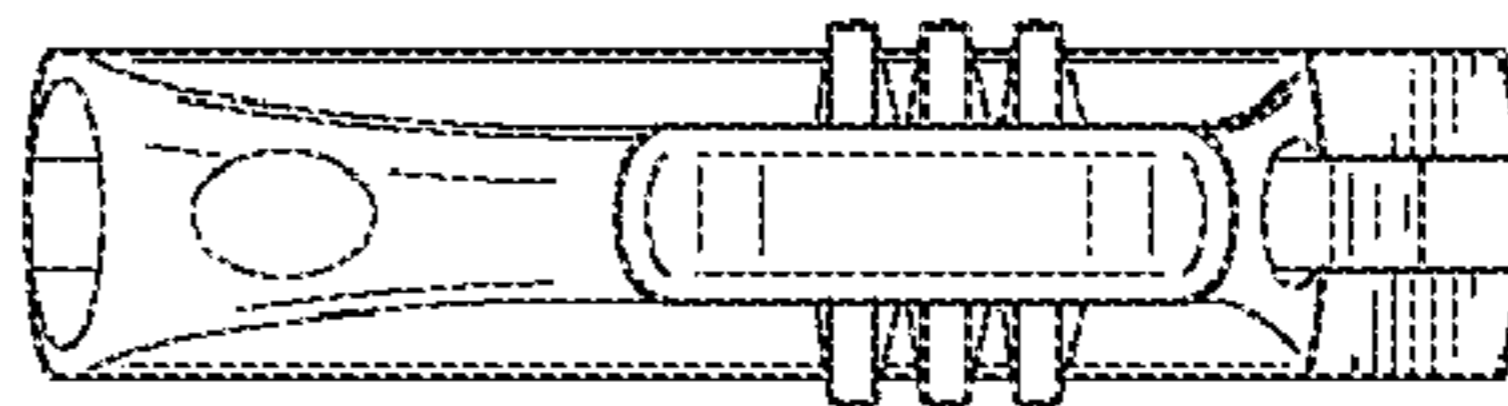


FIG. 7