

US00D597805S

(12) **United States Design Patent**
Liao

(10) **Patent No.:** **US D597,805 S**

(45) **Date of Patent:** **** Aug. 11, 2009**

(54) **FLEXIBLE RAKE**

(76) Inventor: **Dick Liao**, 365 Oak St., Bridgewater, MA
(US) 02324

(**) Term: **14 Years**

(21) Appl. No.: **29/308,078**

(22) Filed: **May 27, 2008**

(51) **LOC (9) Cl.** **08-01**

(52) **U.S. Cl.** **D8/13**

(58) **Field of Classification Search** D8/6,
D8/13; 56/400.1, 400.12, 400.13, 400.14,
56/400.15

See application file for complete search history.

(56) **References Cited**

U.S. PATENT DOCUMENTS

1,959,893 A	5/1934	Bailie	
2,137,795 A	11/1938	Bailie	
2,149,429 A	3/1939	Finkes	
2,883,820 A	4/1959	Bissell	
3,332,223 A	7/1967	Polisso	
D256,880 S *	9/1980	Brock, Jr.	D8/13
5,934,057 A	8/1999	Daniels et al.	
D505,304 S *	5/2005	Conaway et al.	D8/13
D577,967 S *	10/2008	Norton et al.	D8/13
D579,289 S *	10/2008	Norton et al.	D8/13

OTHER PUBLICATIONS

Ace Hardware Outlet, "25 Tines" Flexible Lawn Rake 58", Aluminum Handle, SKU 72890, www.acehardwareoutlet.com, Feb. 21, 2008.

* cited by examiner

Primary Examiner—Holly H Baynham

Assistant Examiner—Sheryl Lane

(74) *Attorney, Agent, or Firm*—Pandiscio & Pandiscio

(57) **CLAIM**

I claim the ornamental design for a flexible rake, as shown and described.

DESCRIPTION

FIG. 1 is a first perspective view of a flexible rake showing my new design;

FIG. 2 is a second perspective view of the same rake;

FIG. 3 is a plan view thereof;

FIG. 4 is a bottom view thereof;

FIG. 5 is a left side view thereof;

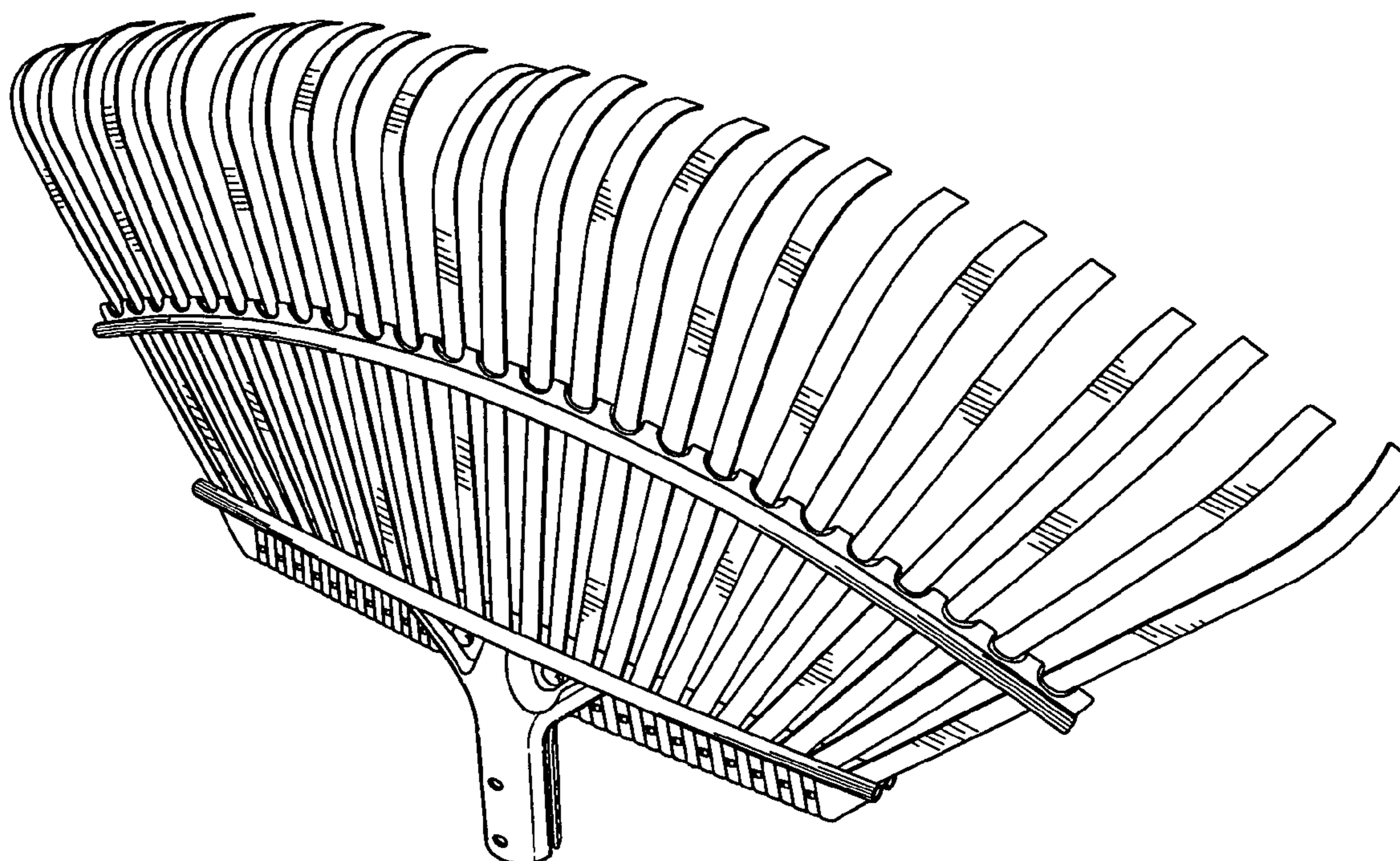
FIG. 6 is a right side view thereof;

FIG. 7 is a front elevational view thereof; and,

FIG. 8 is a rear elevational view thereof.

The broken line showing of the rake handle is included for the purpose of illustrating environmental structure and forms no part of the claimed design.

1 Claim, 5 Drawing Sheets



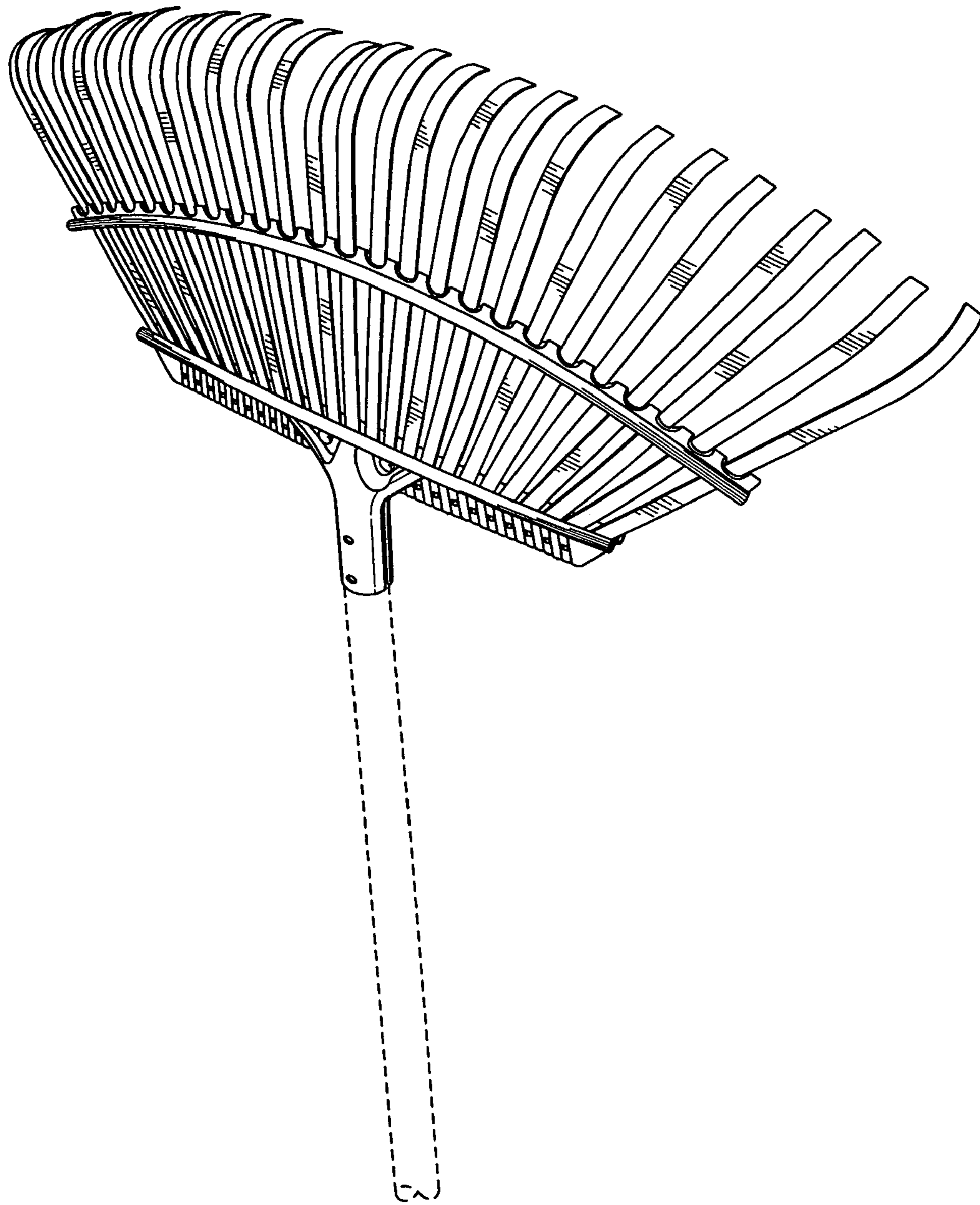


FIG. 1

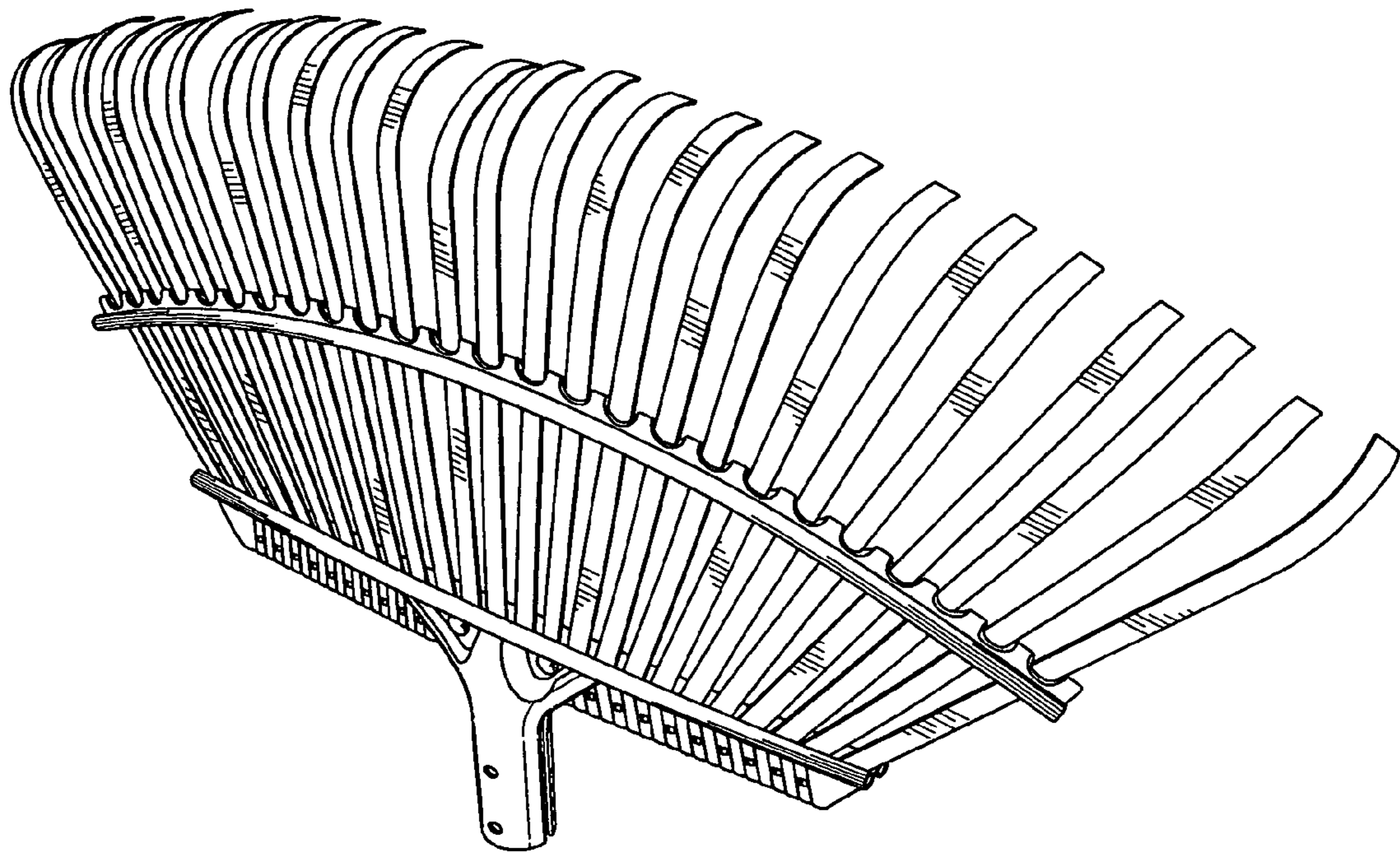


FIG. 2

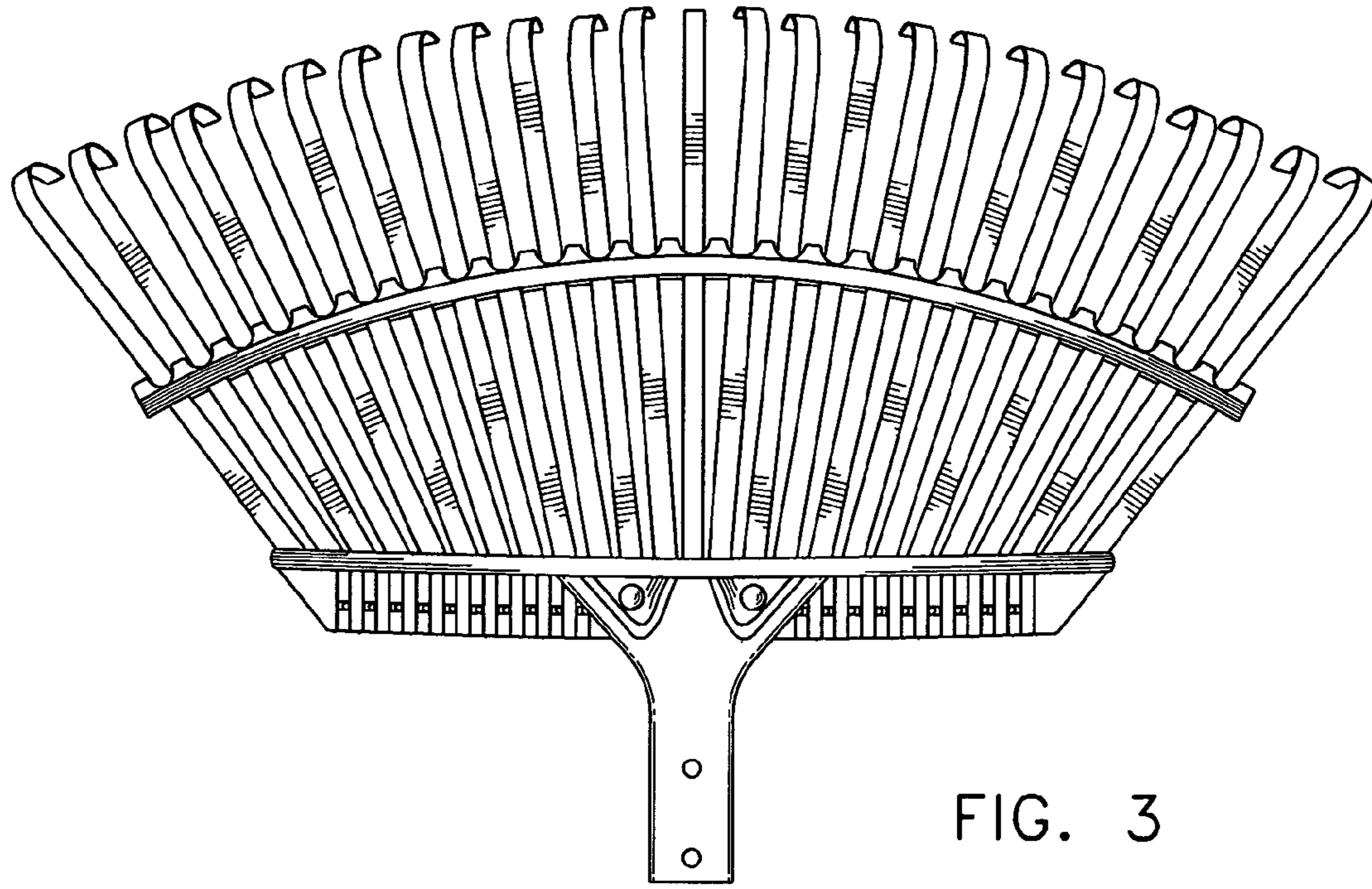


FIG. 3

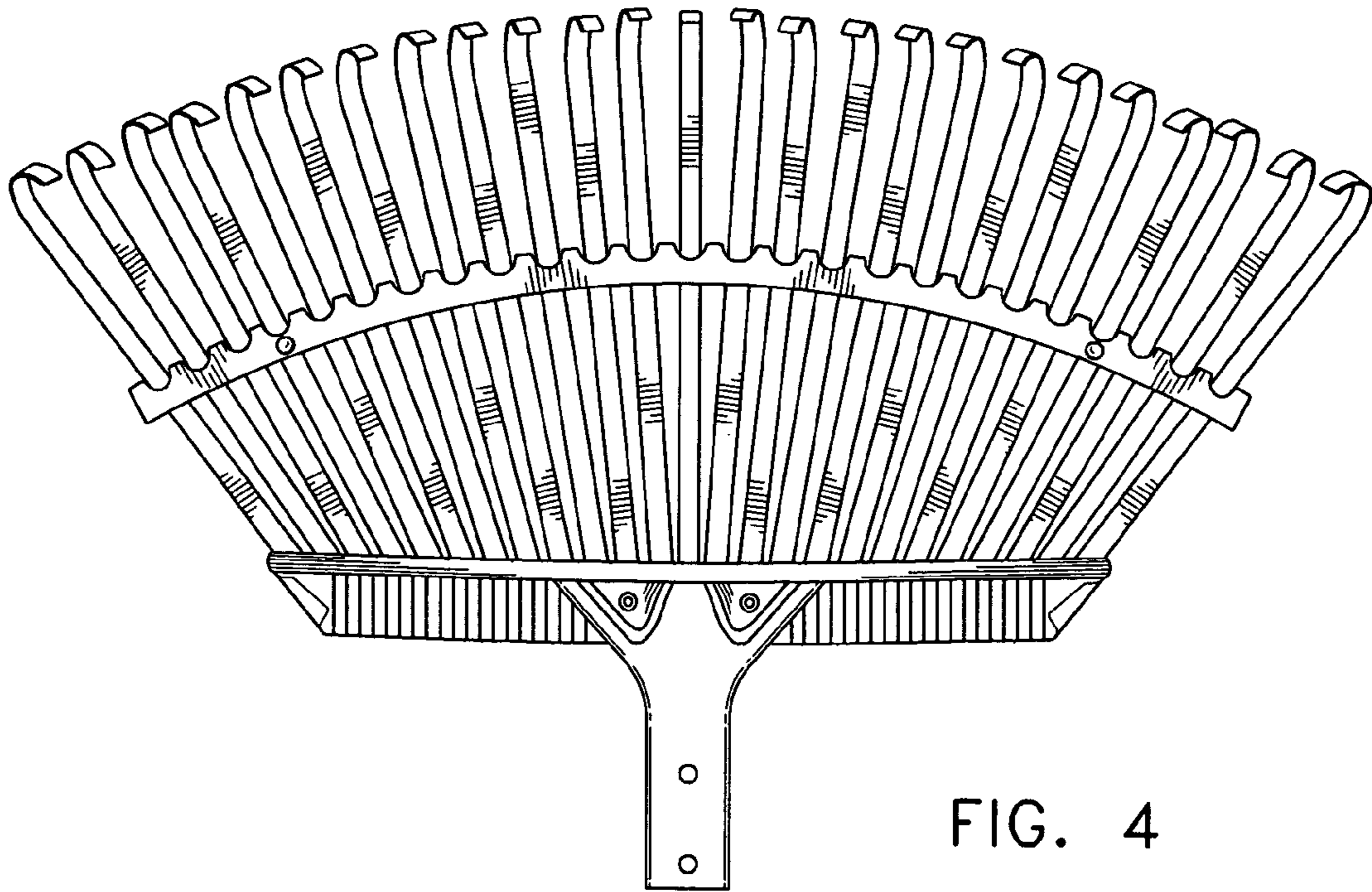


FIG. 4

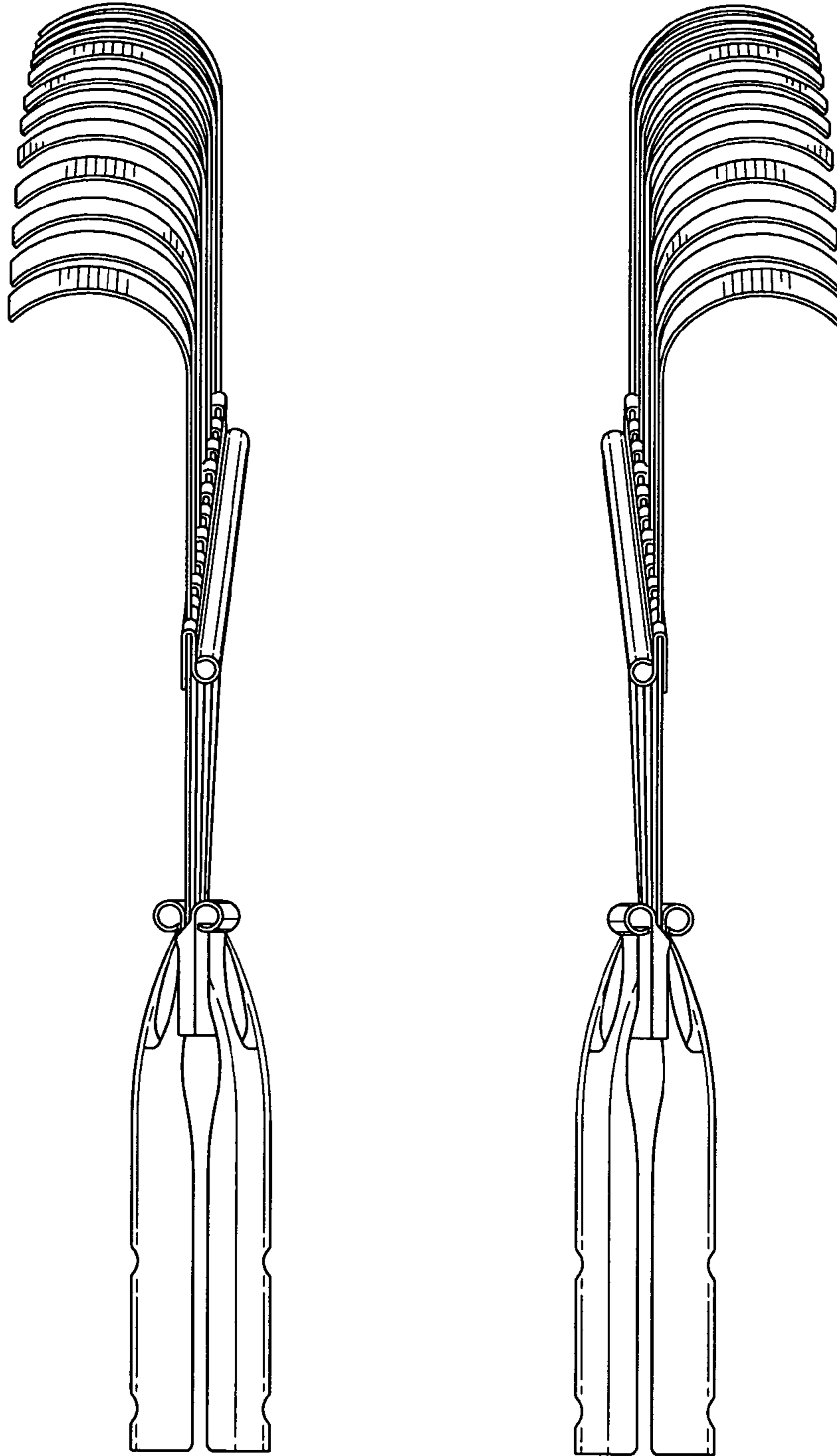


FIG. 5

FIG. 6

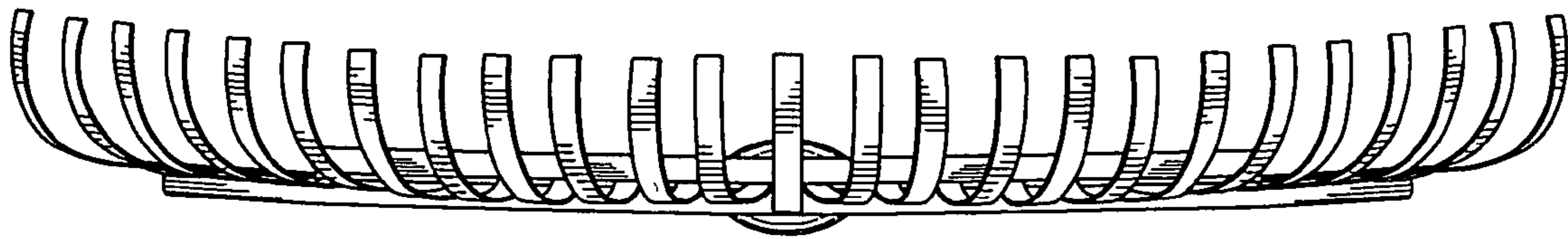


FIG. 7

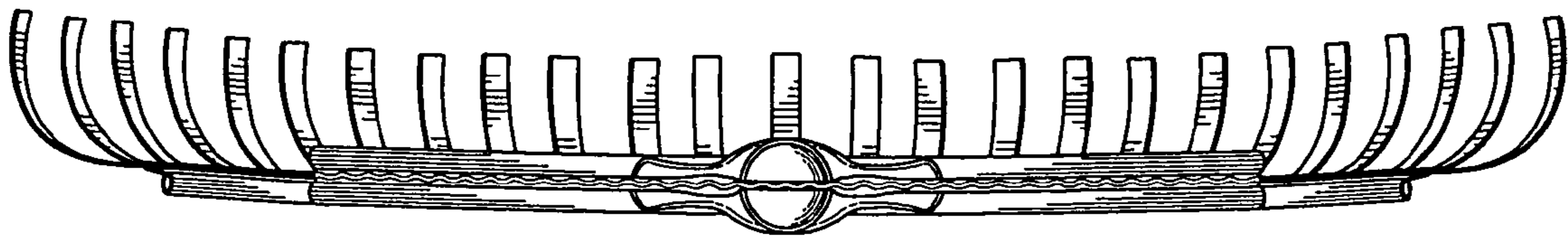


FIG. 8