



US00D597804S

(12) **United States Design Patent**
Alliss

(10) **Patent No.:** **US D597,804 S**

(45) **Date of Patent:** **** Aug. 11, 2009**

(54) **FIXED LINE TRIMMER HEAD**

(76) **Inventor:** **George E. Alliss**, P.O. Box 391,
Bladenboro, NC (US) 28320

(**) **Term:** **14 Years**

(21) **Appl. No.:** **29/310,246**

(22) **Filed:** **Aug. 4, 2008**

(51) **LOC (9) Cl.** **08-01**

(52) **U.S. Cl.** **D8/8**

(58) **Field of Classification Search** D8/8,
D8/9; 12/56.7, 295; 30/276

See application file for complete search history.

(56) **References Cited**

U.S. PATENT DOCUMENTS

D254,173 S *	2/1980	Proulx	D8/8
D273,169 S *	3/1984	Rahe et al.	D8/8
D298,905 S *	12/1988	Petherick et al.	D8/8
D302,779 S *	8/1989	Baba	D8/8
D346,727 S *	5/1994	Eriksson	D8/8
D399,104 S *	10/1998	Sutliff et al.	D8/8
D460,904 S *	7/2002	Riley et al.	D8/8
D479,961 S *	9/2003	Iacona	D8/8
D482,581 S *	11/2003	Nystrom	D8/8
D482,941 S *	12/2003	Nystrom	D8/8
D502,368 S *	3/2005	Nystrom et al.	D8/8
D532,263 S *	11/2006	Iacona	D8/8
D560,107 S *	1/2008	Grey	D8/8

* cited by examiner

Primary Examiner—Holly H Baynham

Assistant Examiner—Sheryl Lane

(74) *Attorney, Agent, or Firm*—David Lewis

(57) **CLAIM**

The ornamental design for a fixed line trimmer head, as shown and described above.

DESCRIPTION

The fixed line trimmer head may be used with a vegetation trimming device to trim vegetation. The fixed line trimmer head attaches to a drive shaft of a vegetation trimmer at the collar at the top of the trimmer head. Trimmer line is cut into fixed lengths and fed into the fixed line trimmer head via the opening shown in FIG. 2. When the trimmer line in use wears out, the user pulls the trimmer line out through a hole in the bottom (shown in phantom, FIG. 6).

FIG. 1 is a top perspective view of fixed line trimmer head.

FIG. 2 is a front elevational view of the fixed line trimmer head of FIG. 1, the back elevational view has the same image as the front elevational view.

FIG. 3 is a right side elevational view of the fixed line trimmer head of FIG. 1, the left side elevational view has the same image of the right side elevational view.

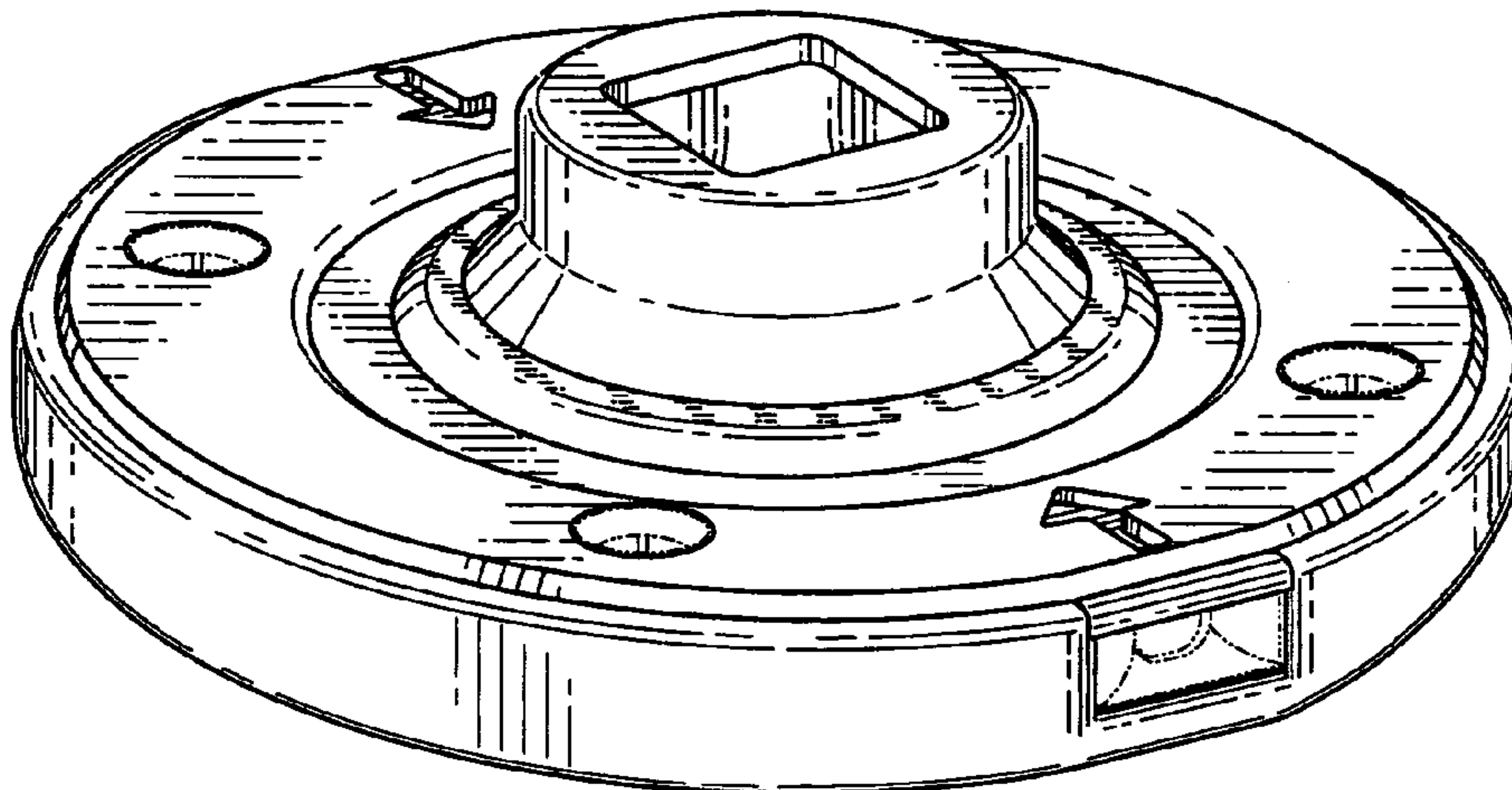
FIG. 4 is a top plan view of the fixed line trimmer head of FIG. 1.

FIG. 5 is a bottom plan view of the fixed line trimmer head of FIG. 1; and,

FIG. 6 is a bottom perspective view of fixed line trimmer head.

The bottom cylindrical portion (visible in FIGS. 1–4) is drawn using broken lines to indicate that the bottom cylindrical portion is not part of the claimed design, but is part of the environment. The broken lines inside the two circular holes that are on the sides of the trimmer head (visible in FIGS. 1 and 3) are a border indicating a region that is not part of the claimed design. The broken lines within the hole in the opening within the collar at the top of the fixed line trimmer head (visible in FIGS. 1 and 5) represent bounds of the claimed design, and the broken line and the region enclosed by the broken lines is not part of the claimed design.

1 Claim, 6 Drawing Sheets



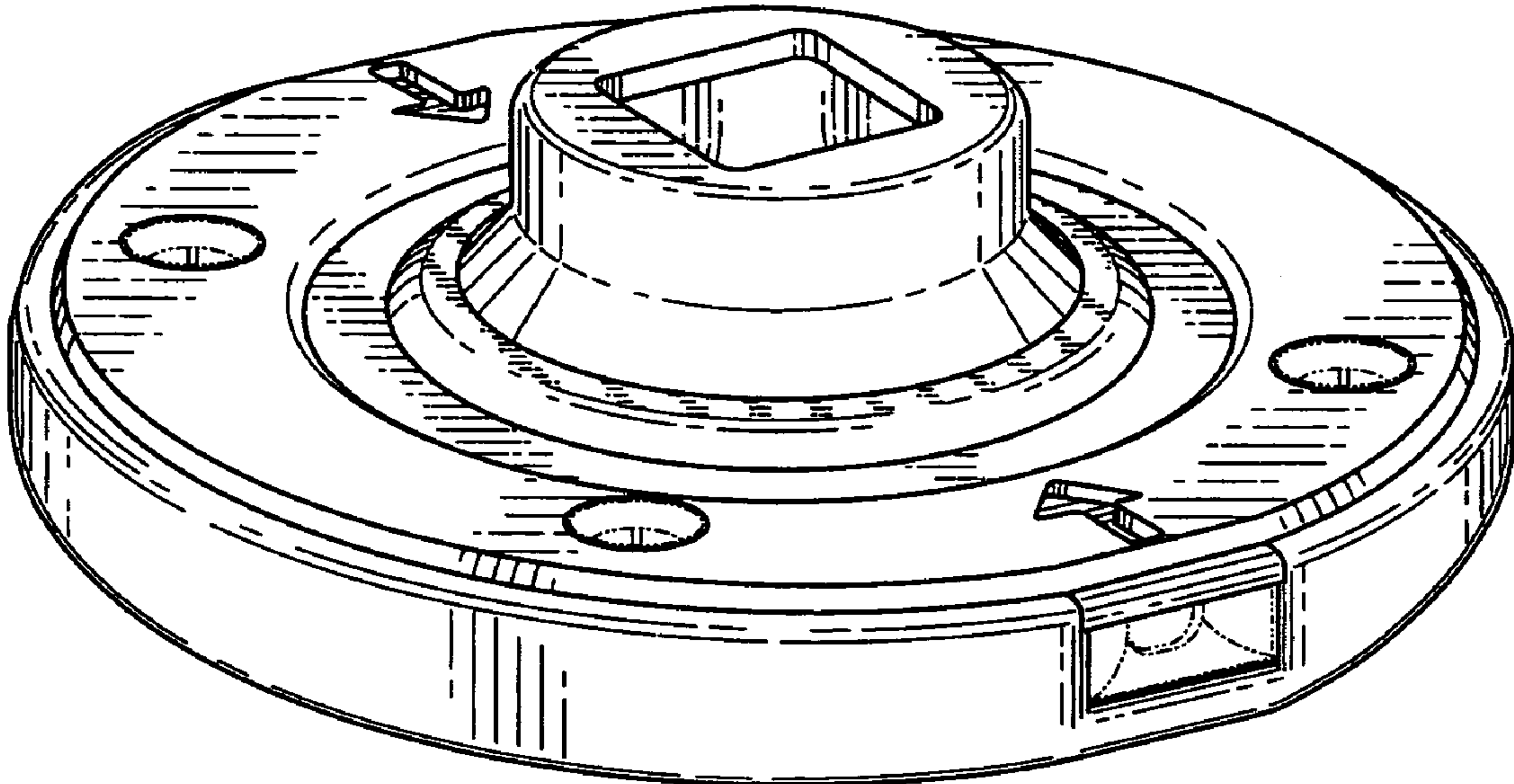


FIG. 1

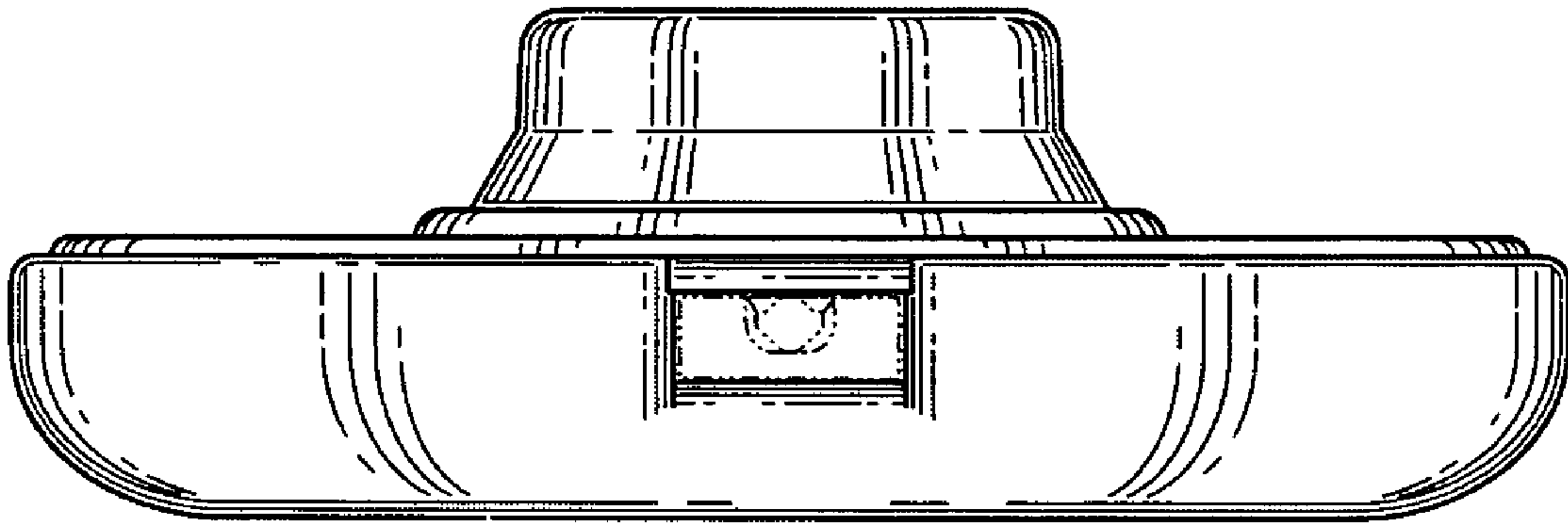


FIG. 2

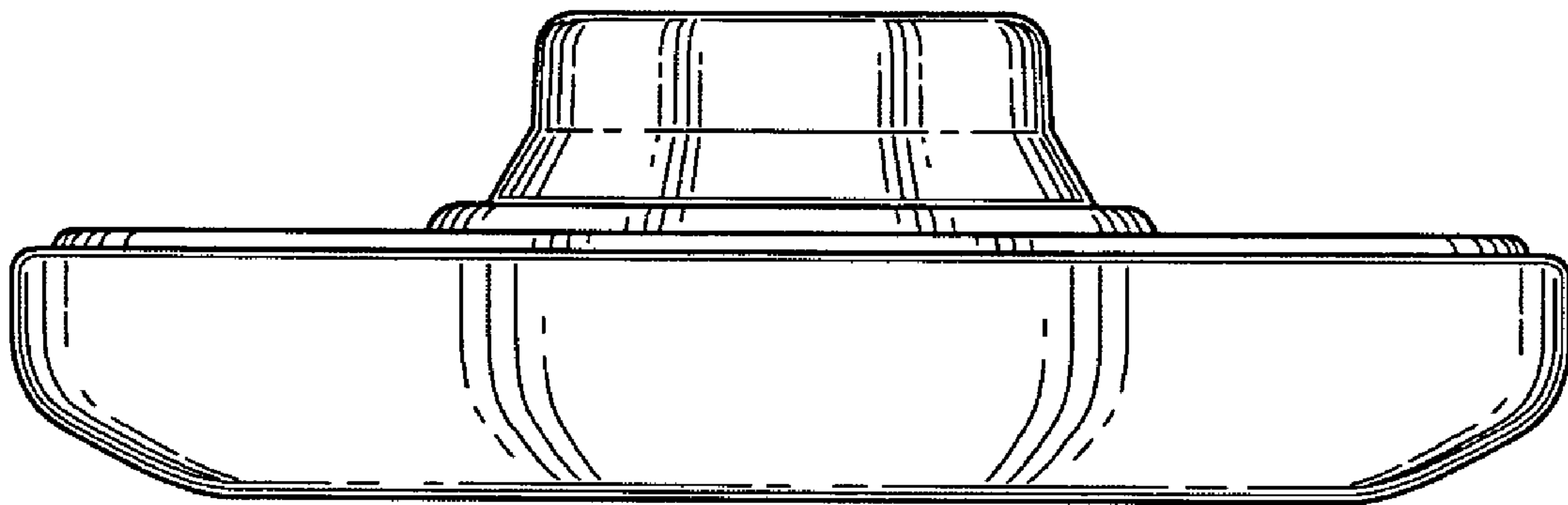


FIG. 3

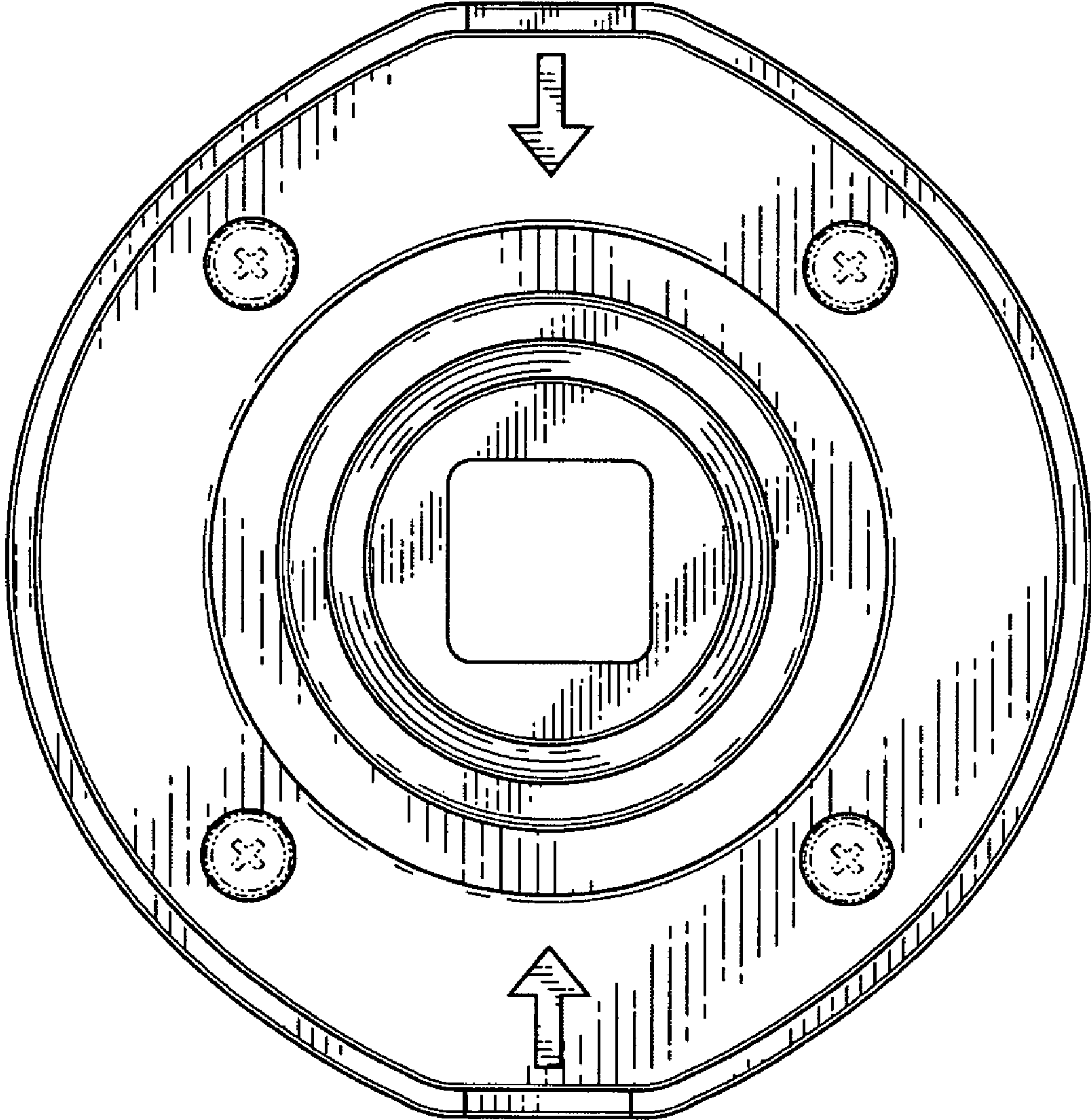


FIG. 4

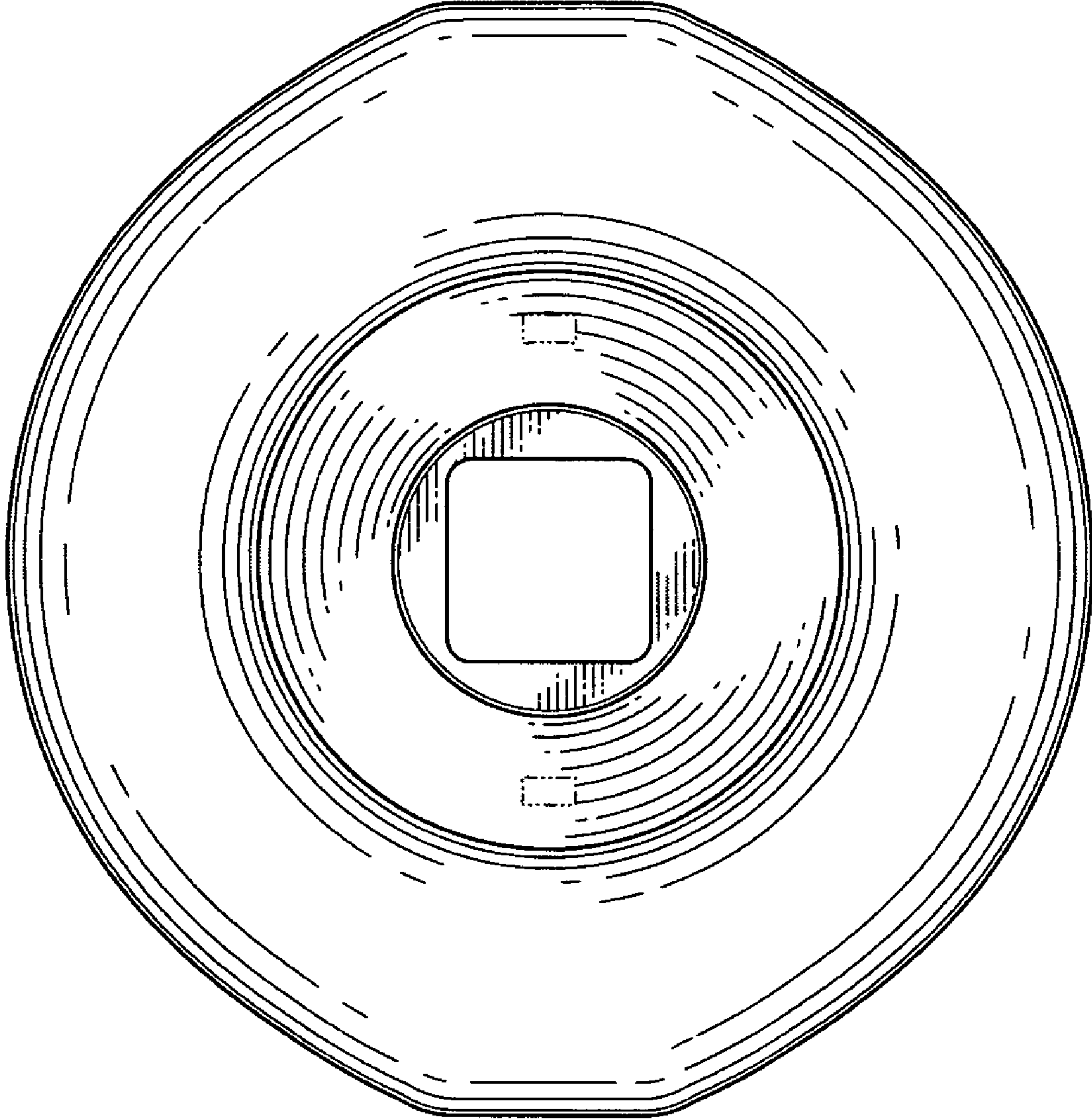


FIG. 5

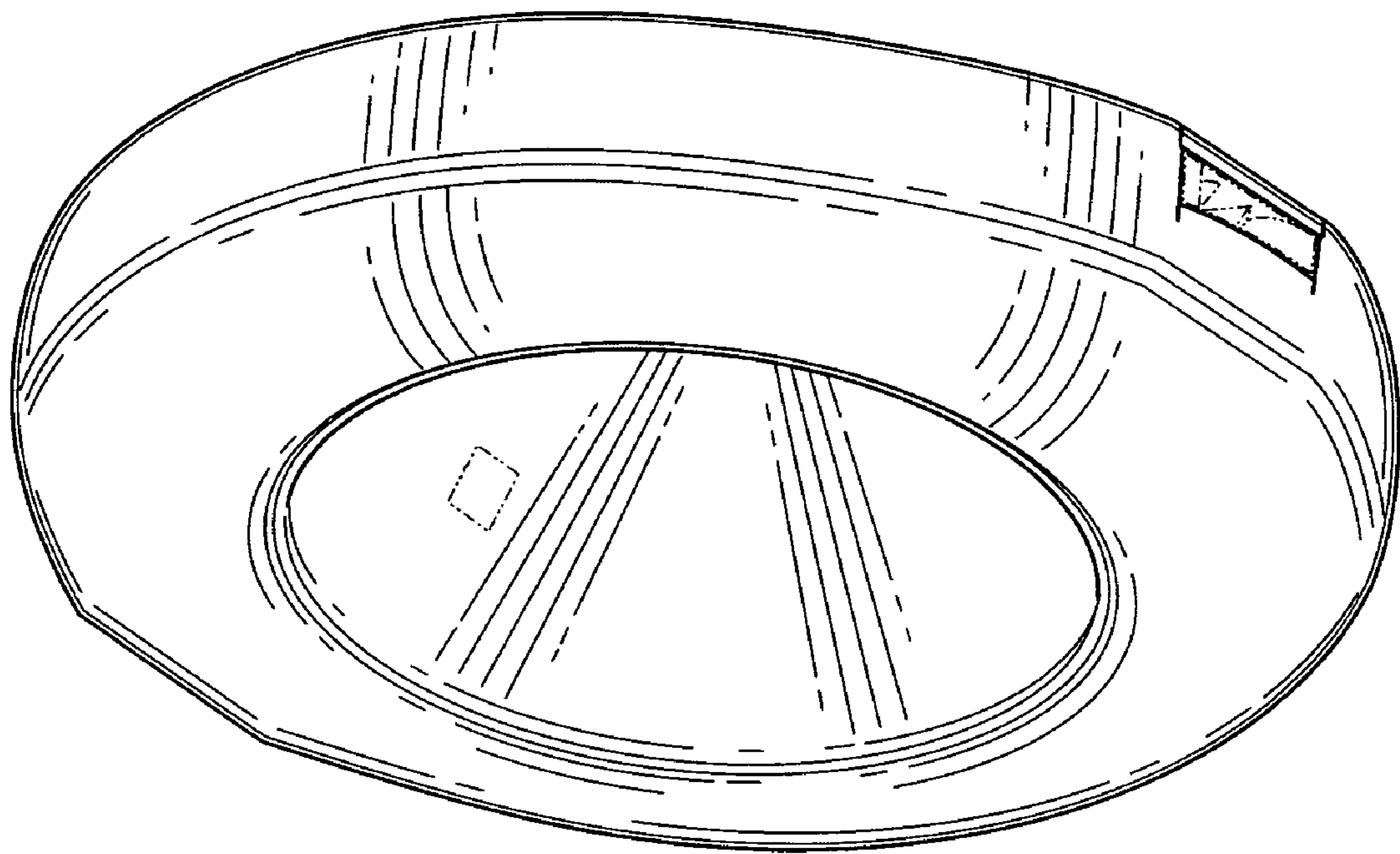


FIG. 6