

US00D597803S

(12) **United States Design Patent**  
**McCaffery et al.**

(10) **Patent No.:** **US D597,803 S**

(45) **Date of Patent:** **\*\* Aug. 11, 2009**

(54) **FUNNEL**

D513,549 S \* 1/2006 Schuster ..... D7/700

(75) Inventors: **Timothy R. McCaffery**, Boston, MA  
(US); **Zachary Zguris**, Canterbury, NH  
(US)

\* cited by examiner

*Primary Examiner*—Terry A Wallace

(74) *Attorney, Agent, or Firm*—Grssoman, Tucker, Perreault  
& Pflieger, PLLC

(73) Assignee: **Lime Design, Inc.**, Boston, MA (US)

(\*\*) Term: **14 Years**

(57) **CLAIM**

(21) Appl. No.: **29/328,795**

The ornamental design for the funnel, as shown and described.

(22) Filed: **Dec. 2, 2008**

**DESCRIPTION**

(51) **LOC (9) Cl.** ..... **07-99**

FIG. 1 is a perspective view of the funnel of the present invention;

(52) **U.S. Cl.** ..... **D7/700**

FIG. 2 is a front view thereof;

(58) **Field of Classification Search** ..... D7/700,  
D7/400; 141/95, 98, 297–300, 331–345

FIG. 3 is a rear view thereof;

See application file for complete search history.

FIG. 4 is left side view thereof;

FIG. 5 is a right side view thereof;

(56) **References Cited**

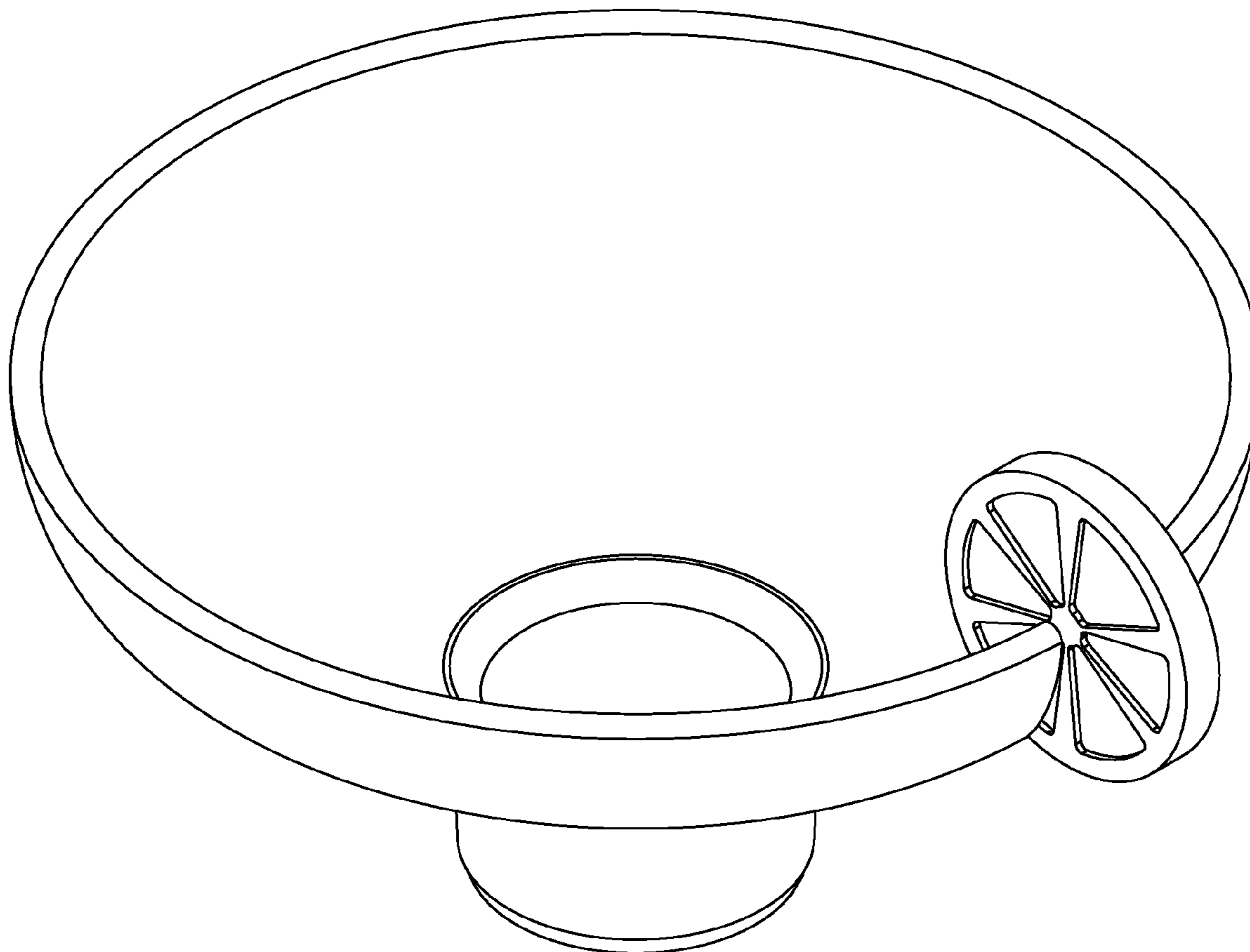
**U.S. PATENT DOCUMENTS**

3,982,570 A \* 9/1976 Devoe ..... 141/95  
5,762,120 A \* 6/1998 Smith ..... 141/340  
6,539,991 B1 \* 4/2003 Ackerman ..... 141/331

FIG. 6 is a top plan view thereof; and,

FIG. 7 is a bottom plan view thereof.

**1 Claim, 7 Drawing Sheets**



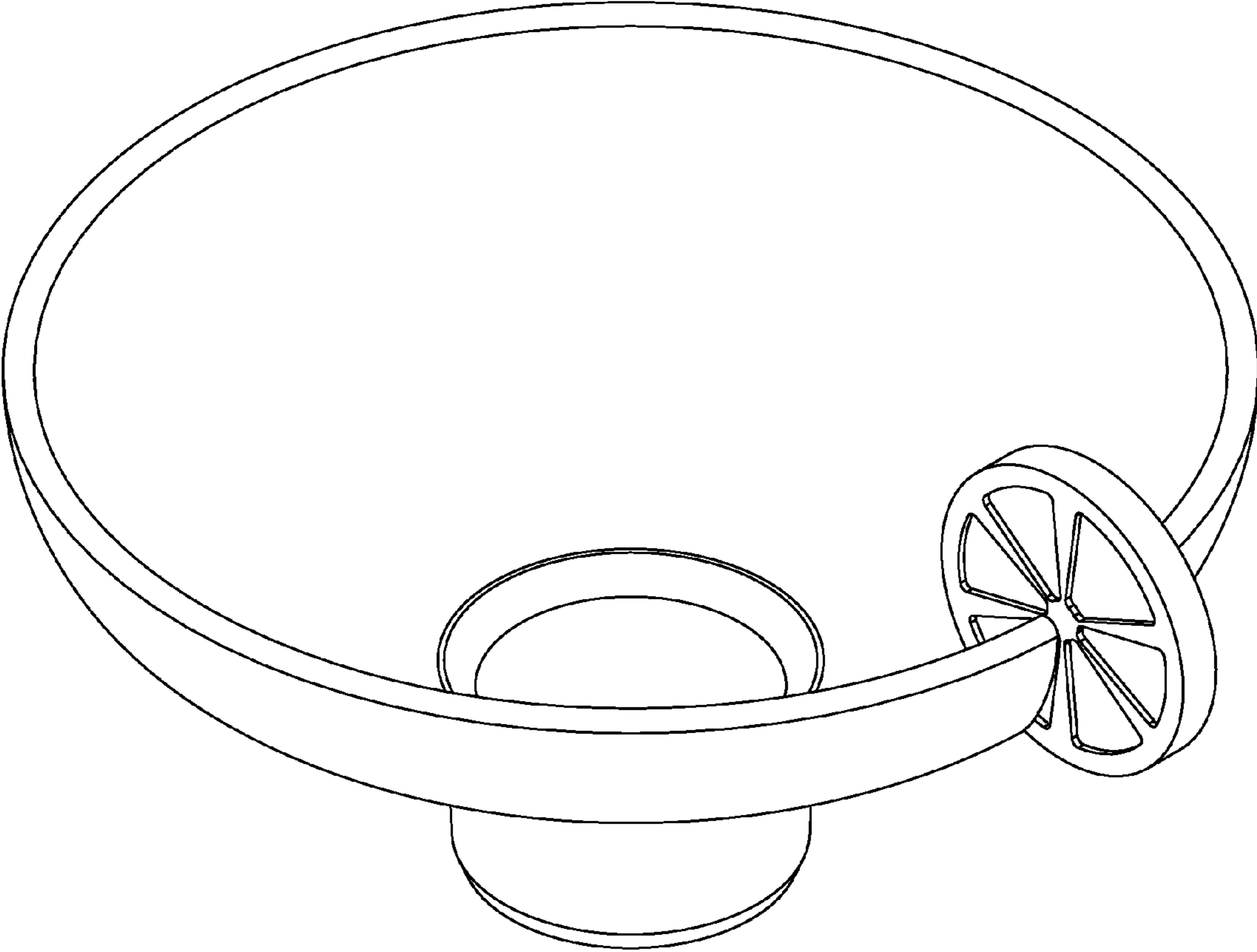


FIG 1.

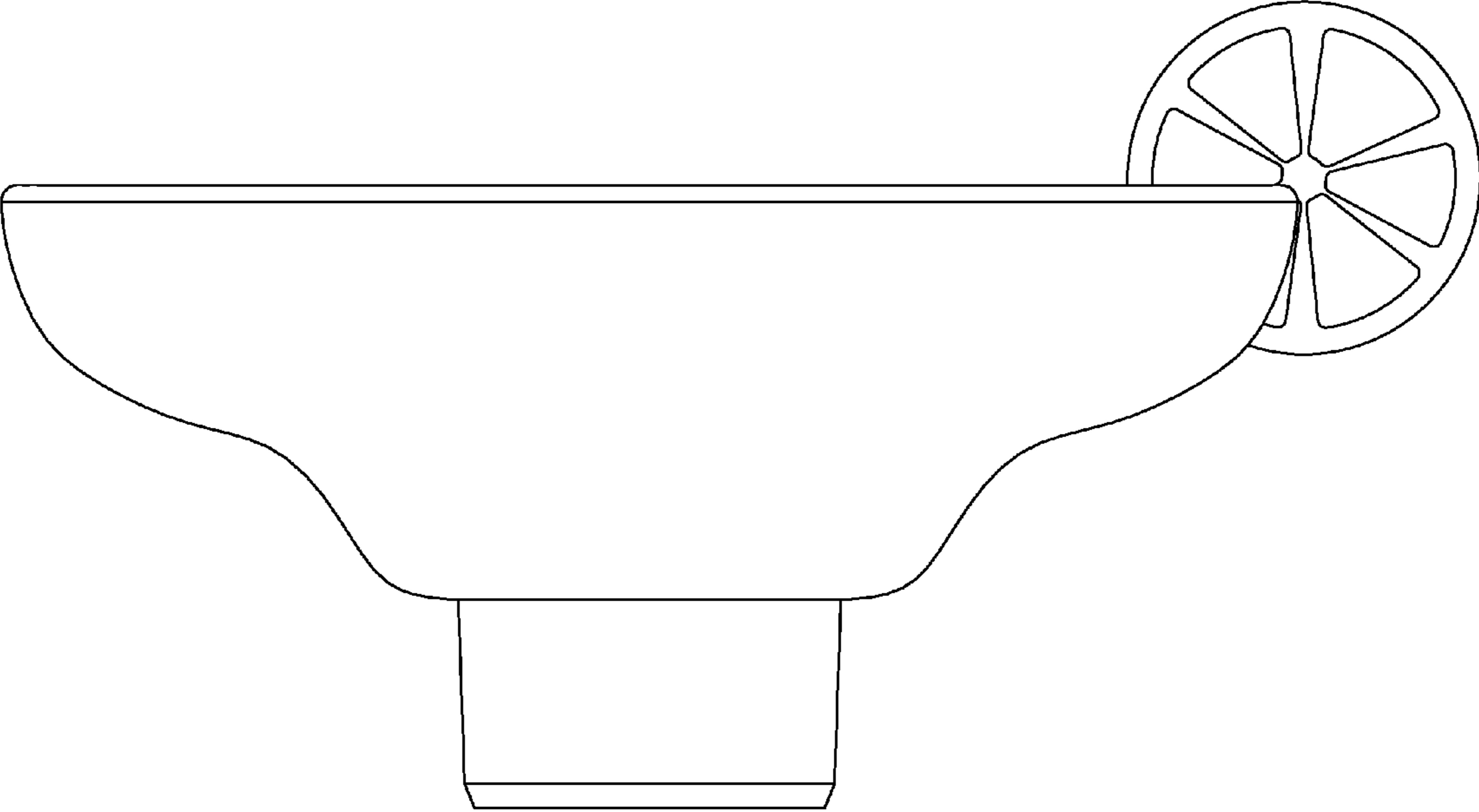


FIG. 2

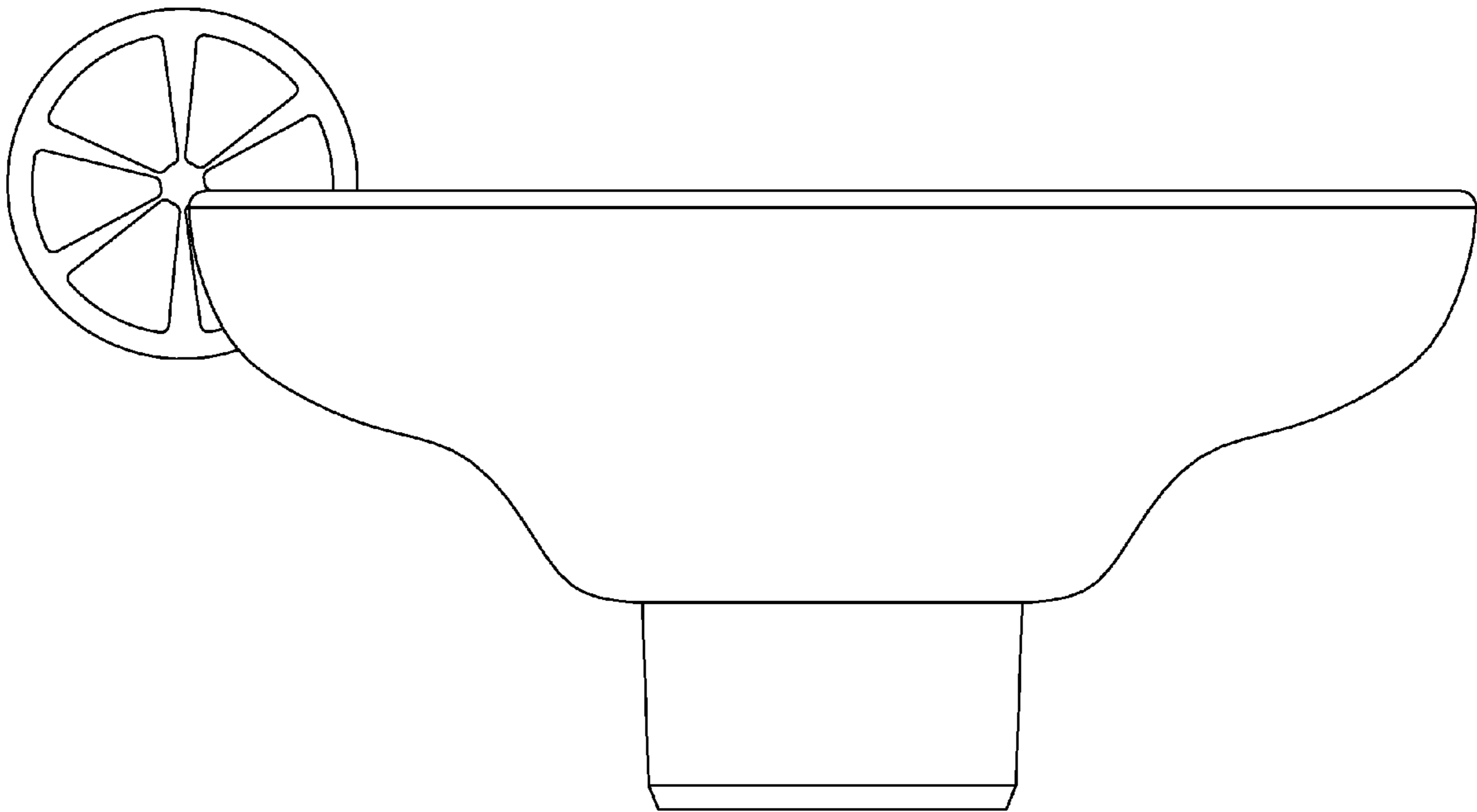


FIG. 3

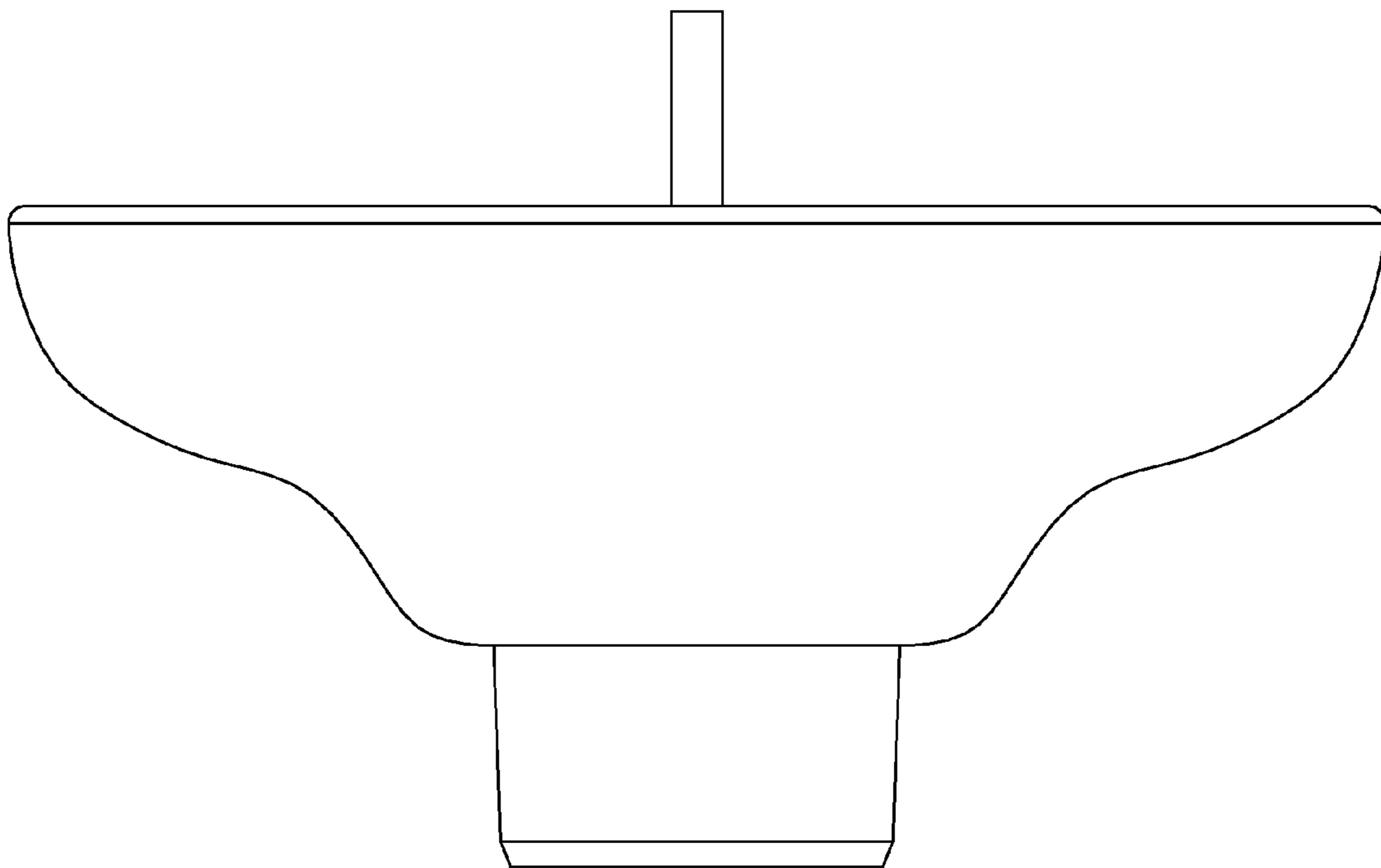


FIG. 4

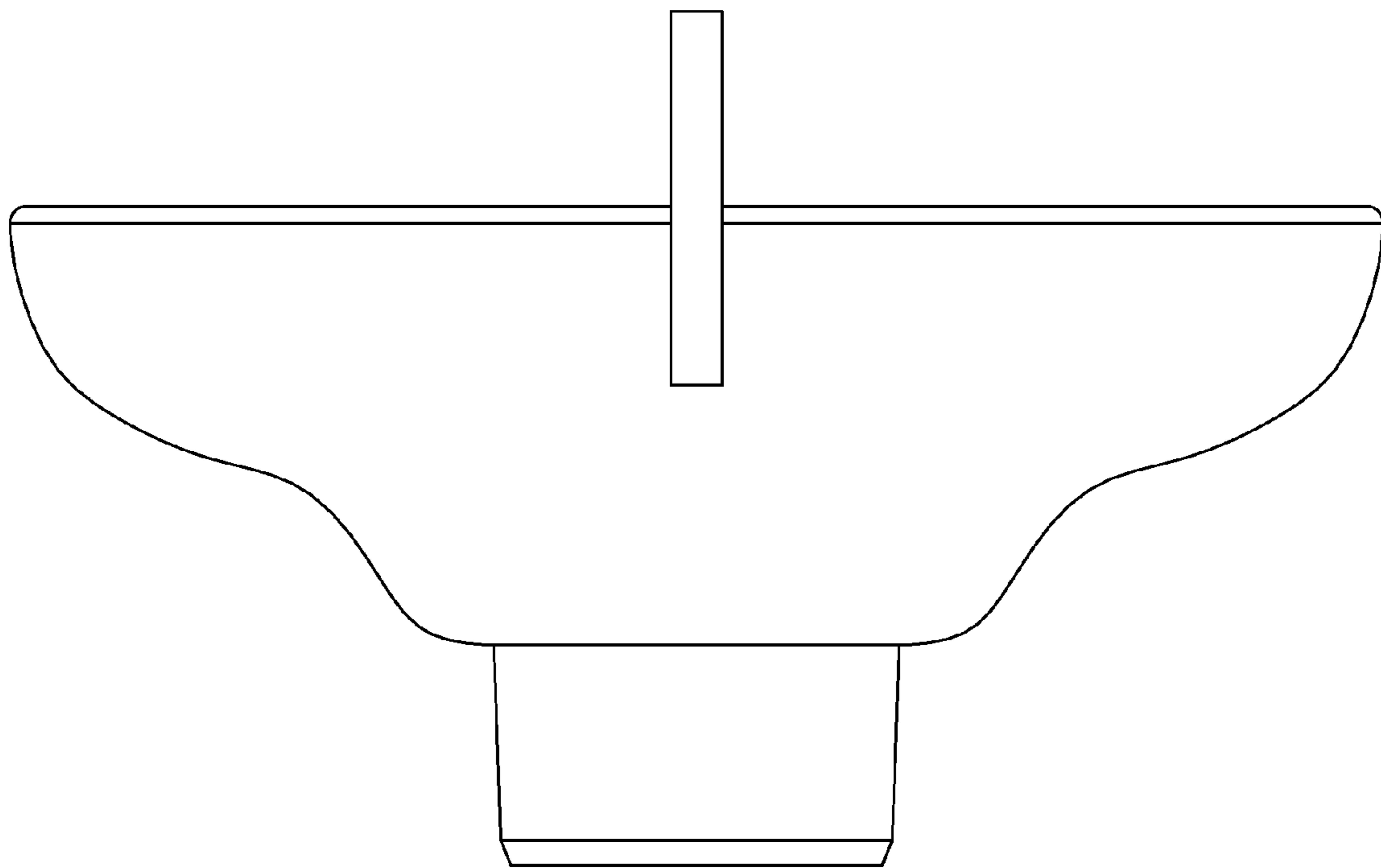


FIG. 5

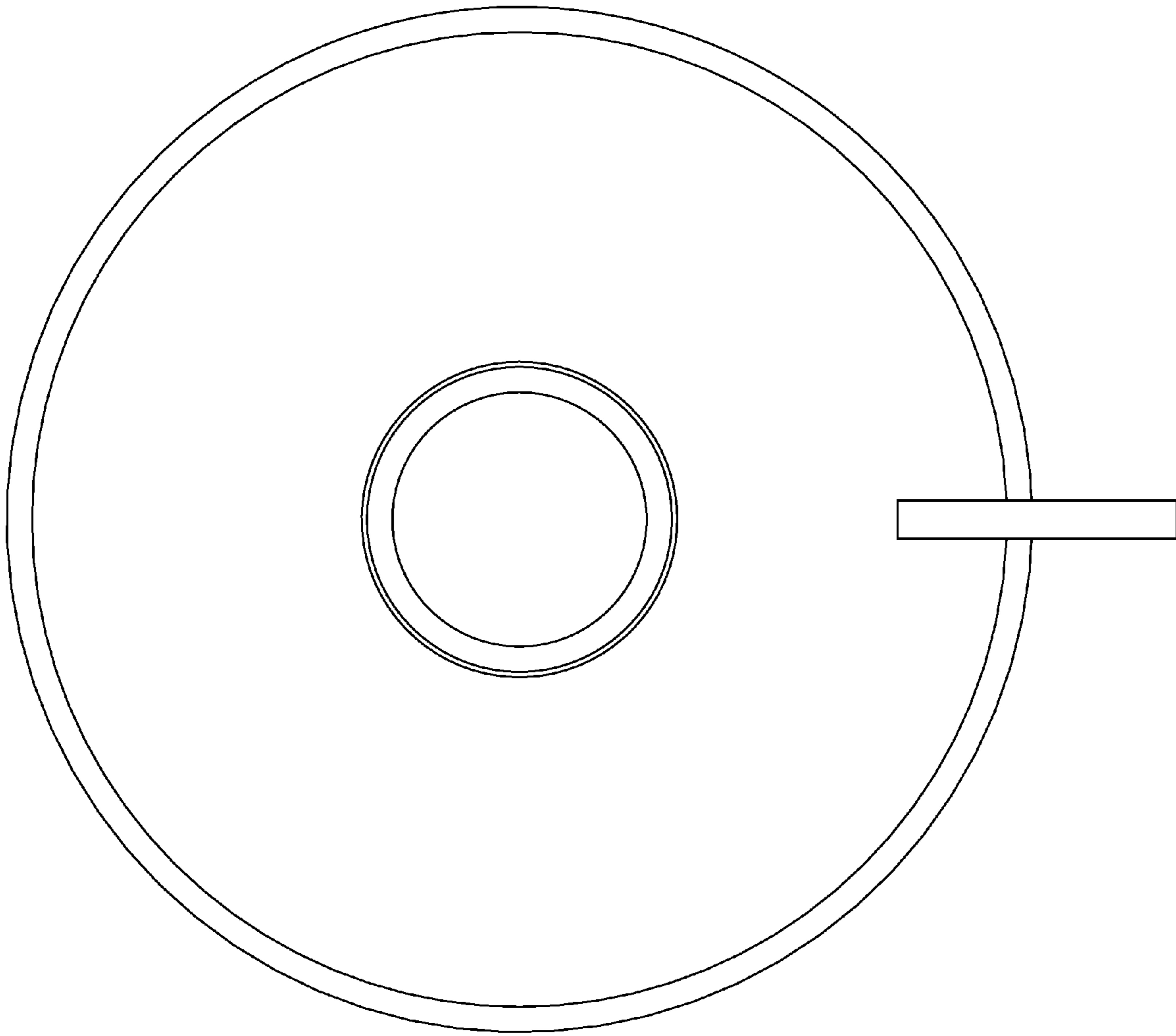


FIG. 6

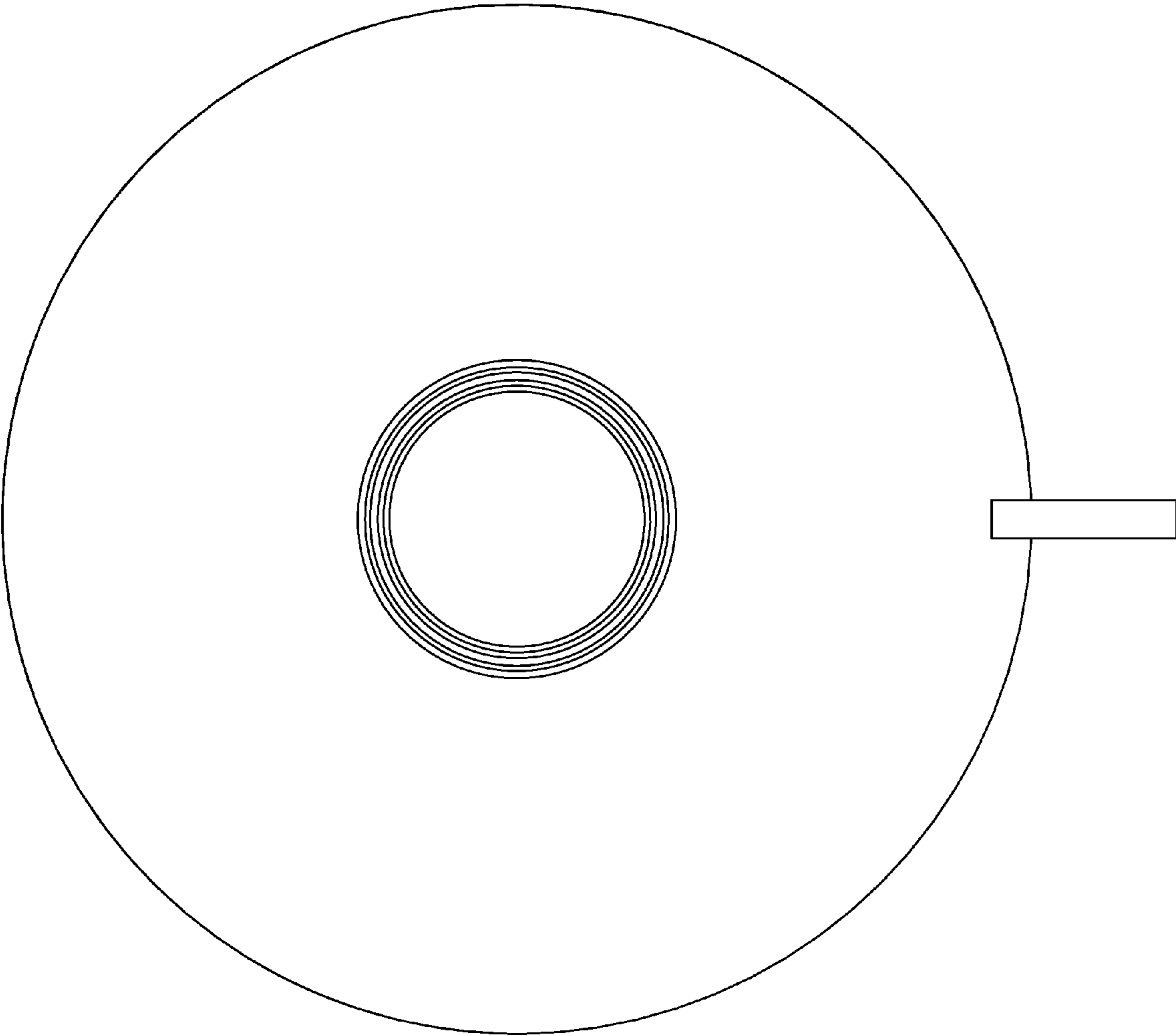


FIG. 7