



US00D597801S

(12) **United States Design Patent**  
**Goode et al.**

(10) **Patent No.:** **US D597,801 S**  
(45) **Date of Patent:** **\*\* Aug. 11, 2009**

(54) **CUTTER**

(75) Inventors: **Stephanie Goode**, Plainfield, IL (US);  
**Jeff Bull**, Naperville, IL (US)

(73) Assignee: **Wilton Industries Inc.**, Woodridge, IL (US)

(\*\*) Term: **14 Years**

(21) Appl. No.: **29/324,453**

(22) Filed: **Sep. 12, 2008**

(51) **LOC (9) Cl.** ..... **07-04**

(52) **U.S. Cl.** ..... **D7/675**

(58) **Field of Classification Search** ..... D7/672-677;  
269/288, 87.2, 295; 30/114, 301-305, 312,  
30/314, 315, 299, 294; 83/467.1, 468.7,  
83/691, 762, 932

See application file for complete search history.

(56) **References Cited**

**U.S. PATENT DOCUMENTS**

1,364,863	A *	1/1921	Buchtel	.....	30/303
1,788,875	A *	1/1931	Kandle	.....	30/315
2,665,649	A *	1/1954	Cesare	.....	D7/672
3,319,682	A *	5/1967	Hall	.....	269/288
4,245,973	A *	1/1981	Greaney	.....	D7/672
D314,692	S *	2/1991	Marston	.....	D7/673
D487,002	S *	2/2004	Sarihan	.....	D7/673
2004/0187317	A1 *	9/2004	Wood	.....	30/315

\* cited by examiner

*Primary Examiner*—Terry A Wallace

(74) *Attorney, Agent, or Firm*—McGuireWoods LLP

(57) **CLAIM**

We claim the ornamental design for a cutter, as shown and described.

**DESCRIPTION**

FIG. 1 is a perspective view of the cutter;

FIG. 2 is a left side view of the design embodiment shown in FIG. 1;

FIG. 3 is a right side view of the design embodiment shown in FIG. 1;

FIG. 4 is a top view of the design embodiment shown in FIG. 1;

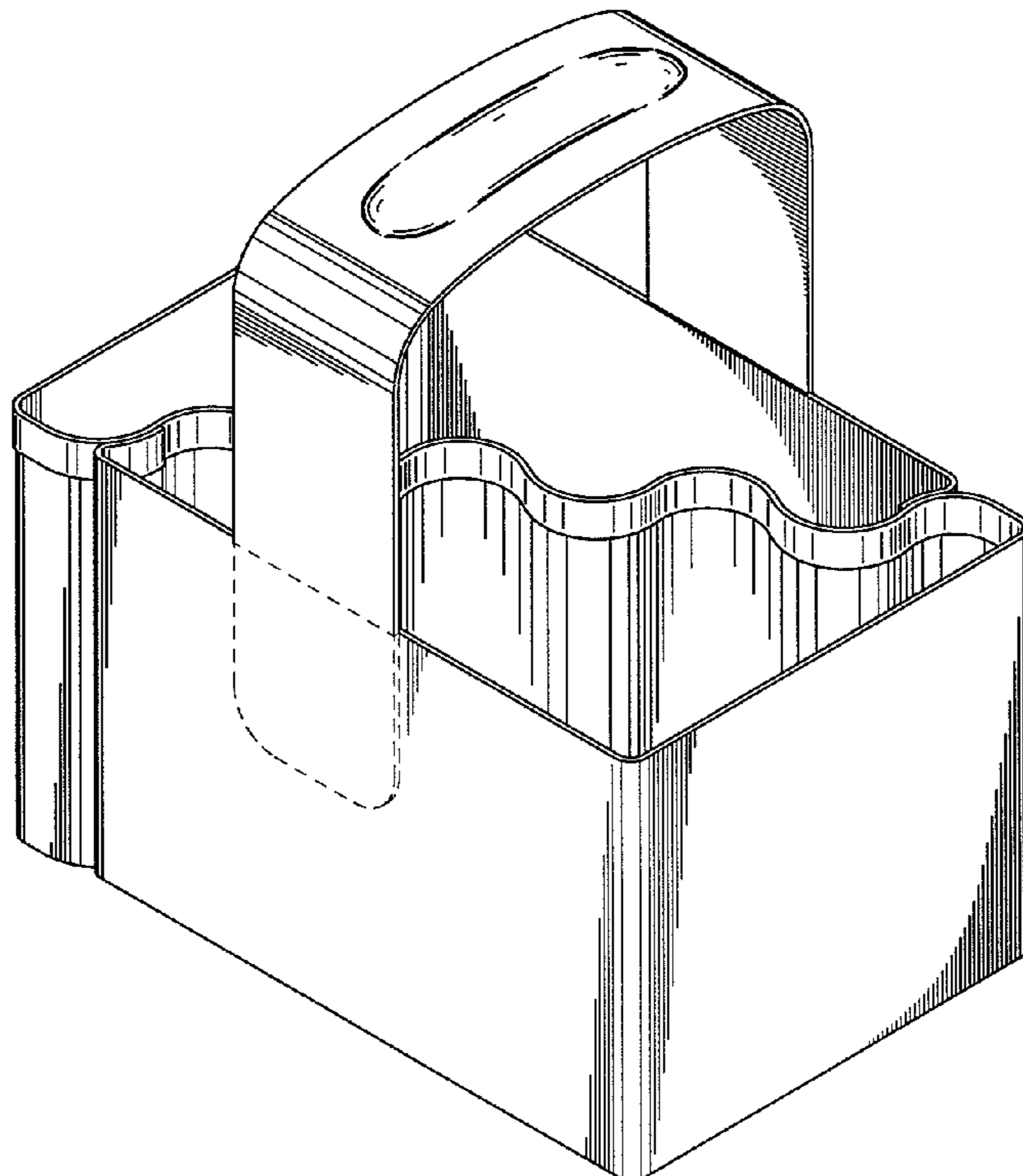
FIG. 5 is a bottom view of the design embodiment shown in FIG. 1;

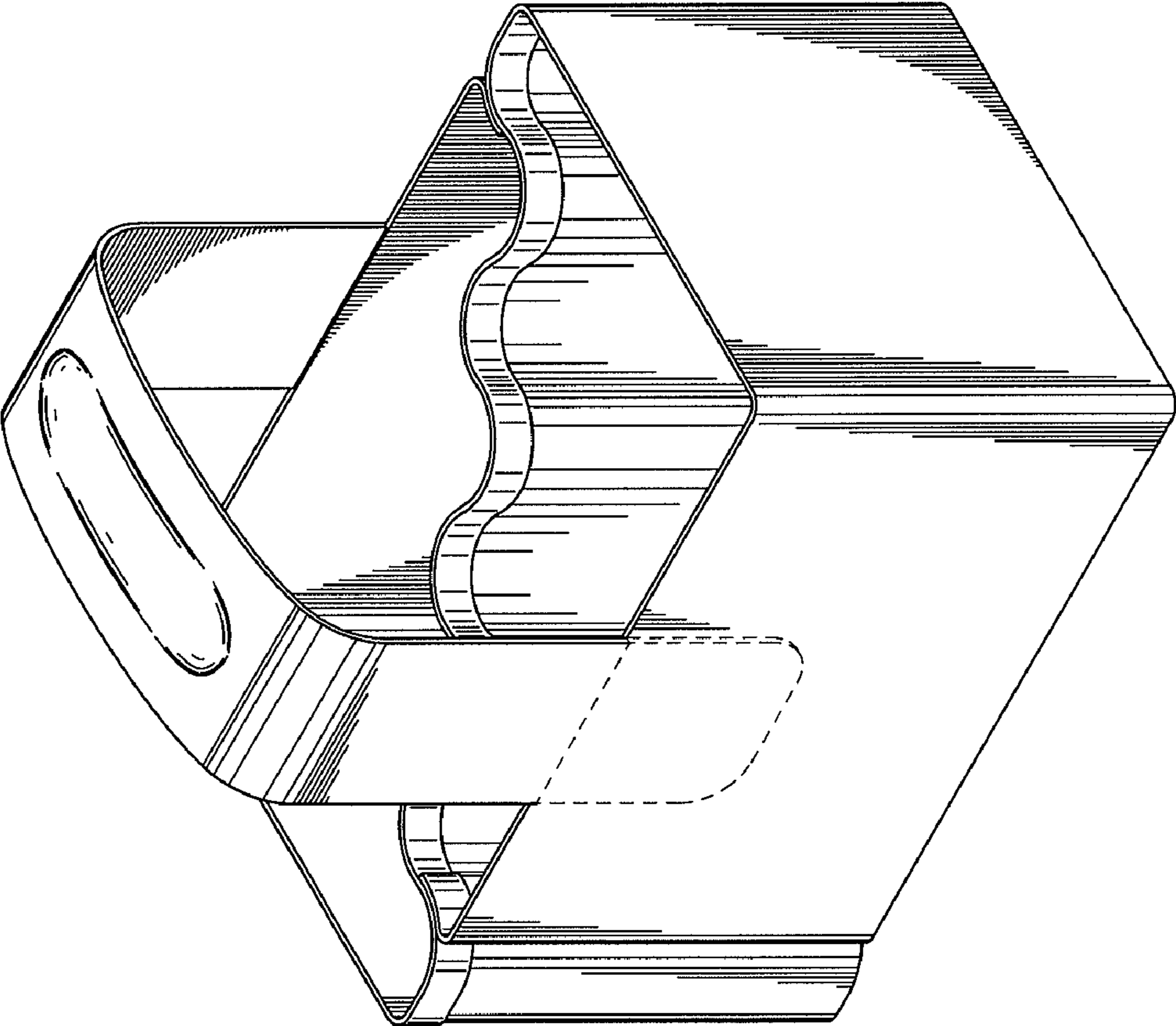
FIG. 6 is a front view of the design embodiment shown in FIG. 1; and,

FIG. 7 is a back view of the design embodiment shown in FIG. 1.

The subject matter shown in dashed lines, and any surfaces of the design not shown, including interior surfaces, form no part of the claimed invention.

**1 Claim, 4 Drawing Sheets**





*FIG. 1*

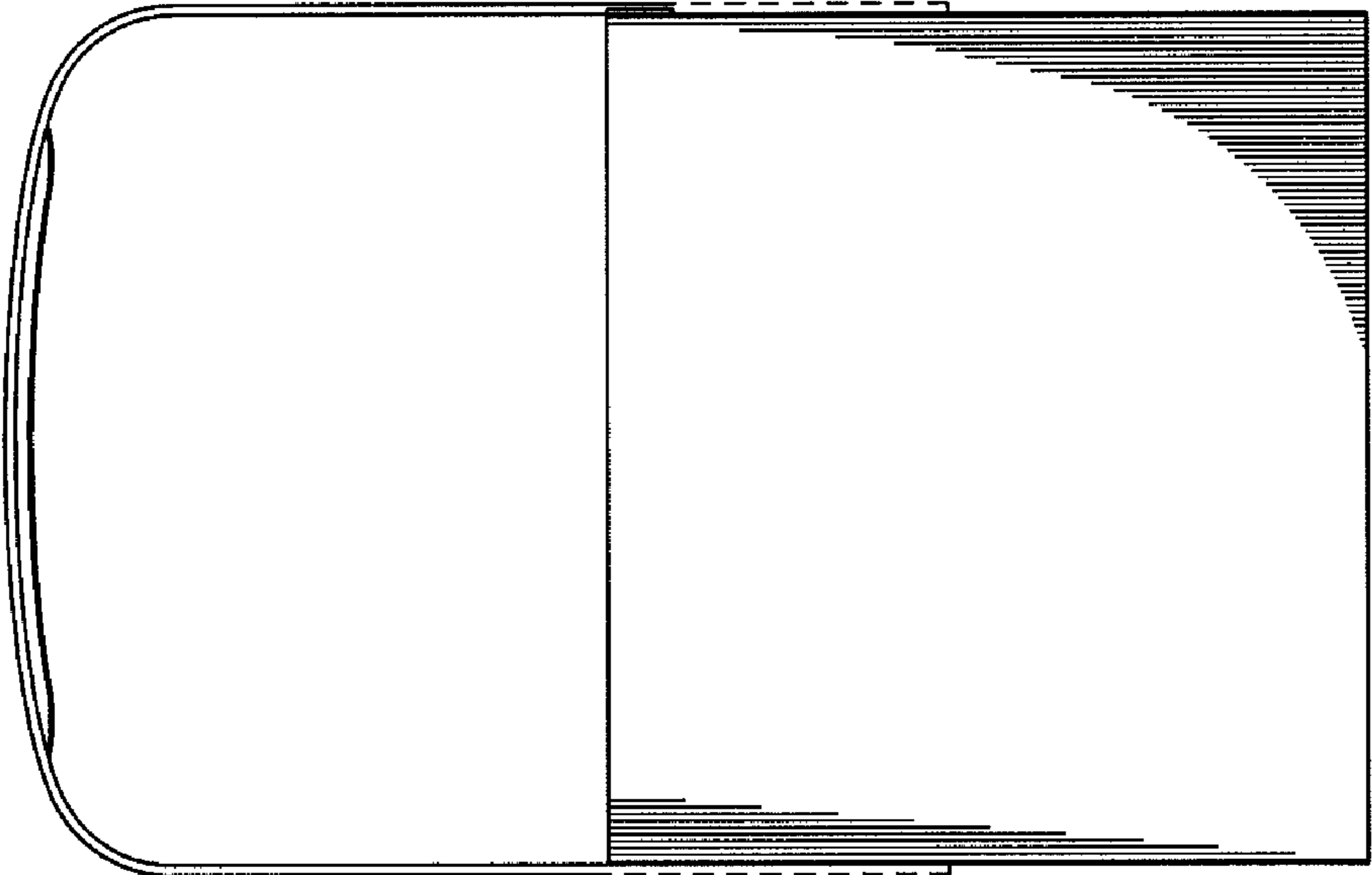


FIG. 3

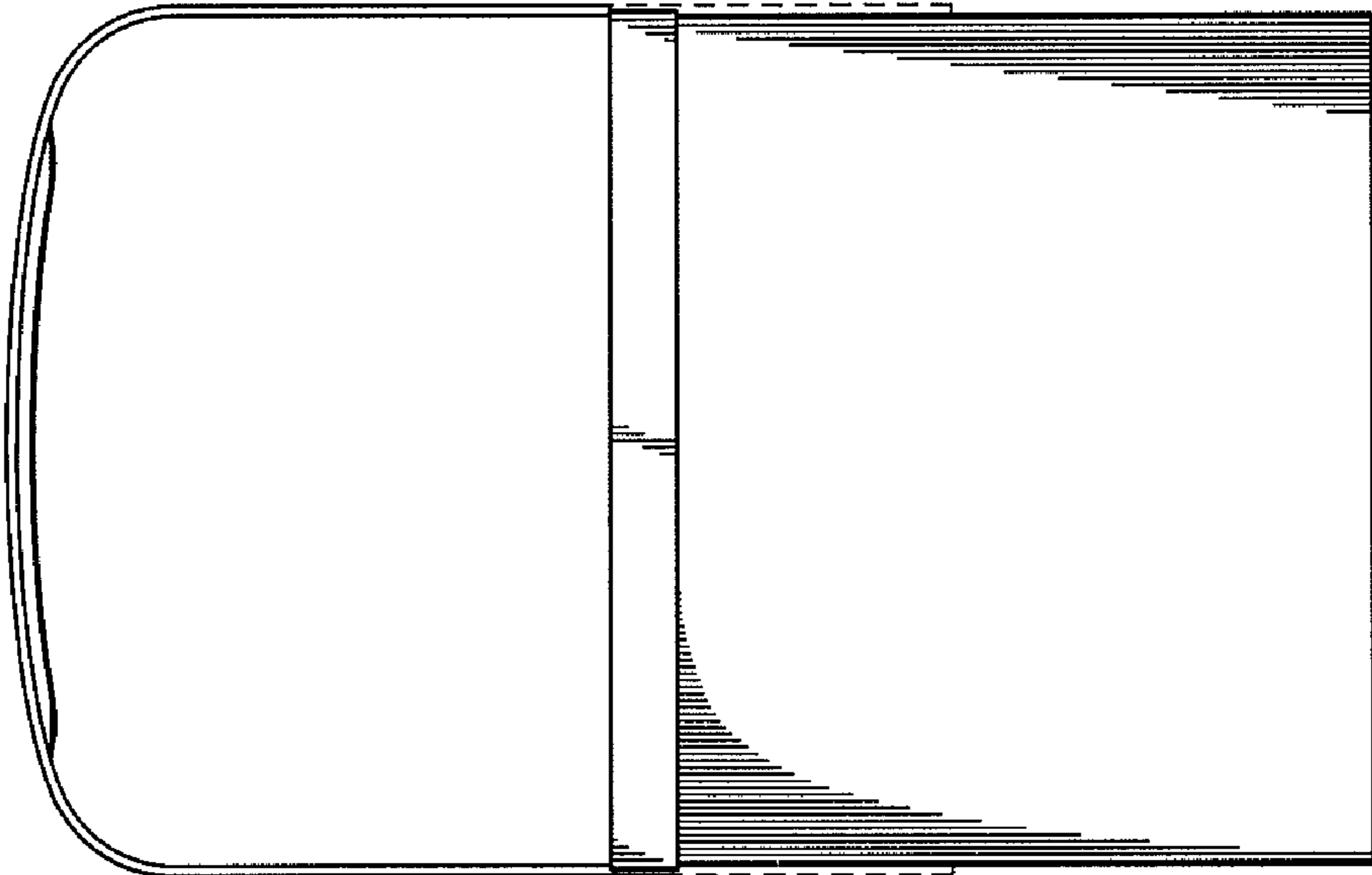
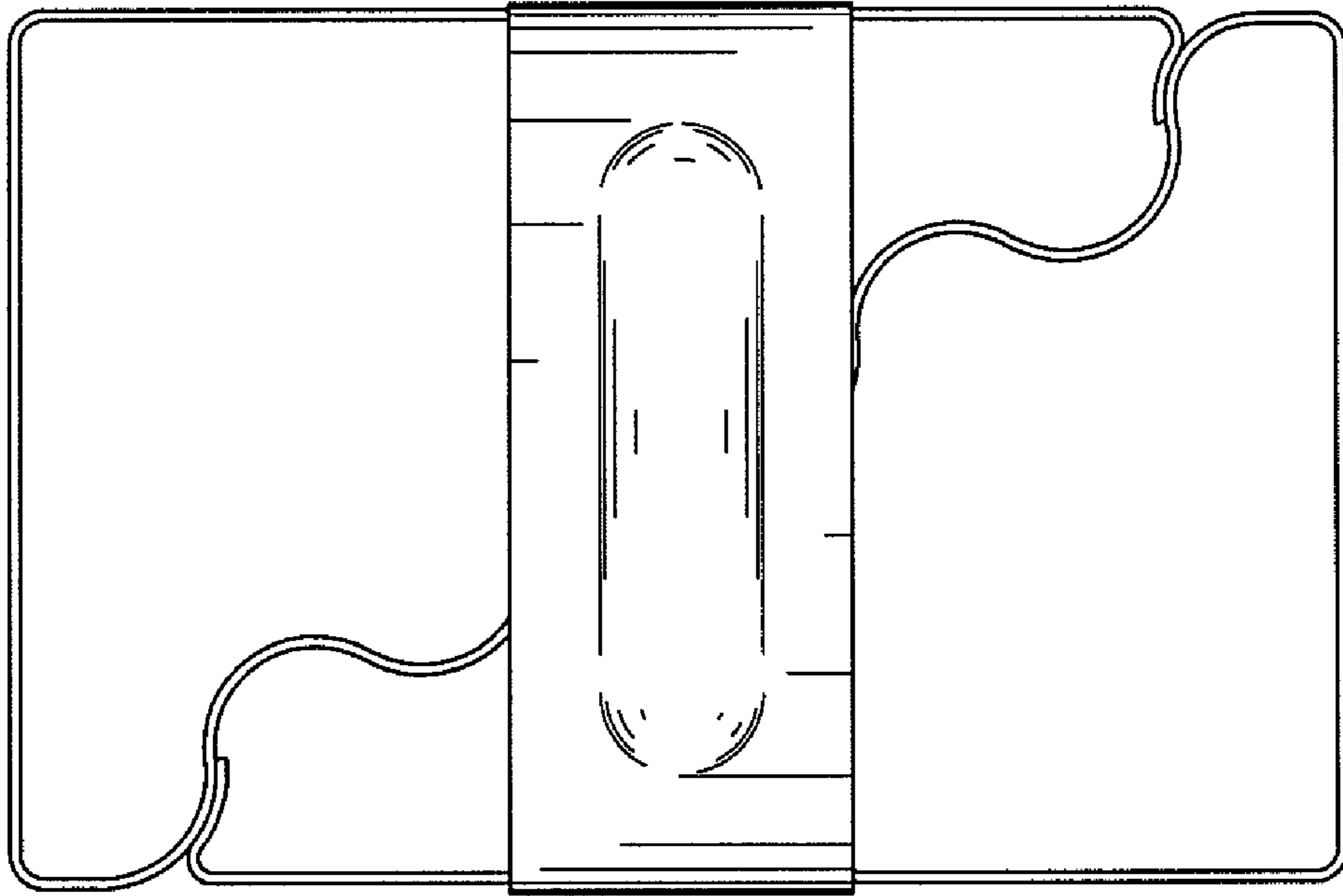
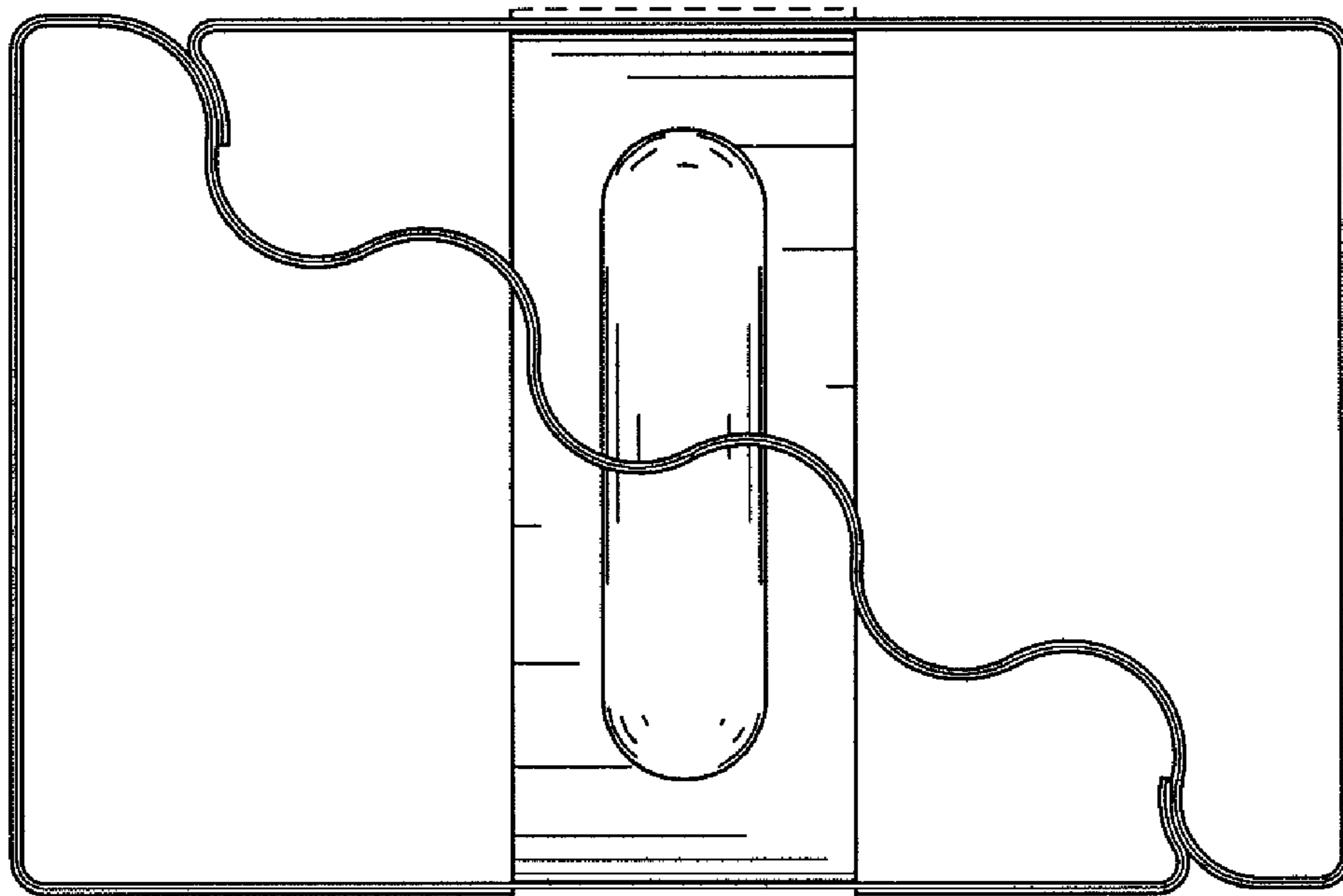


FIG. 2



*FIG. 4*



*FIG. 5*

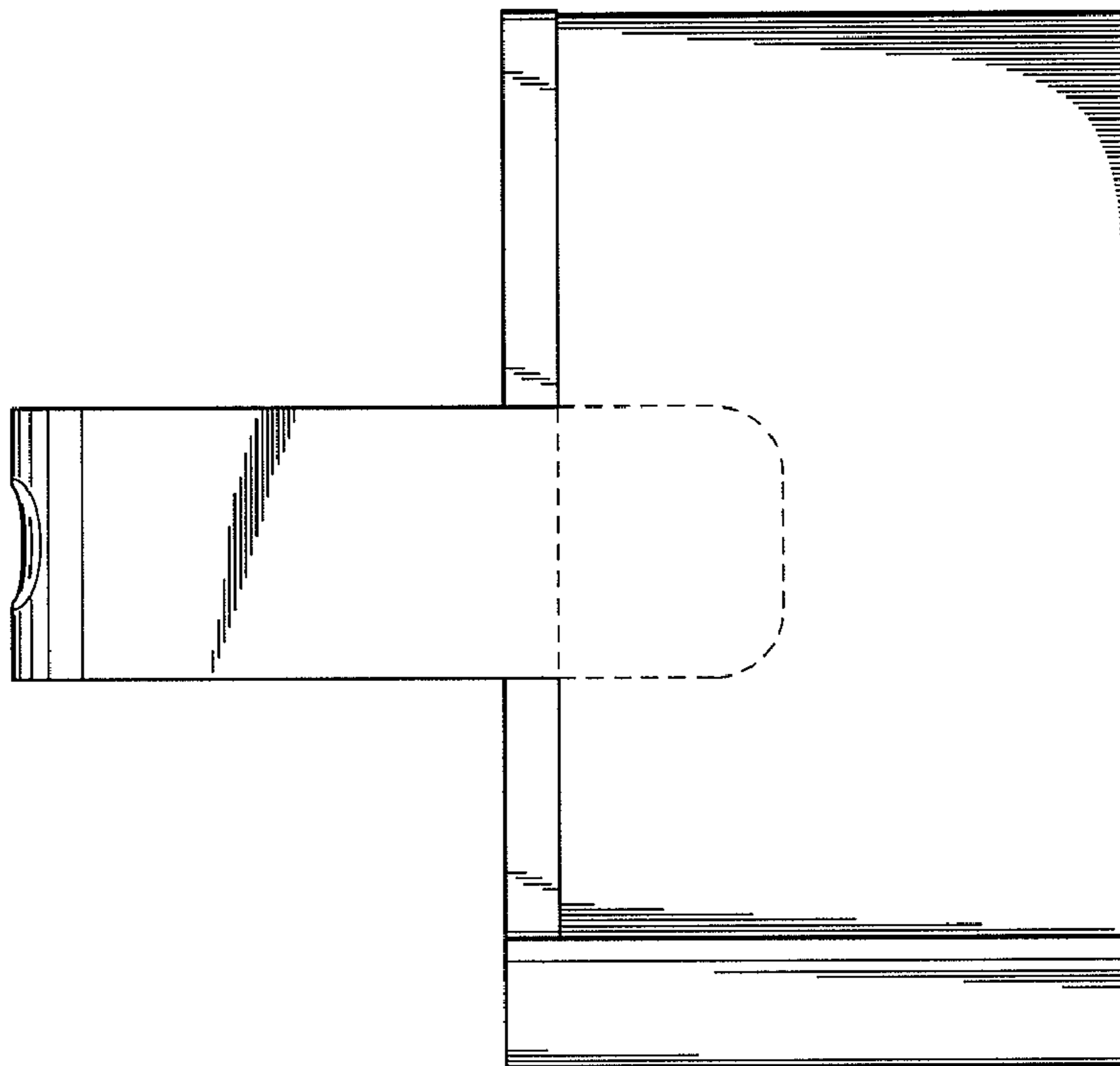


FIG. 7

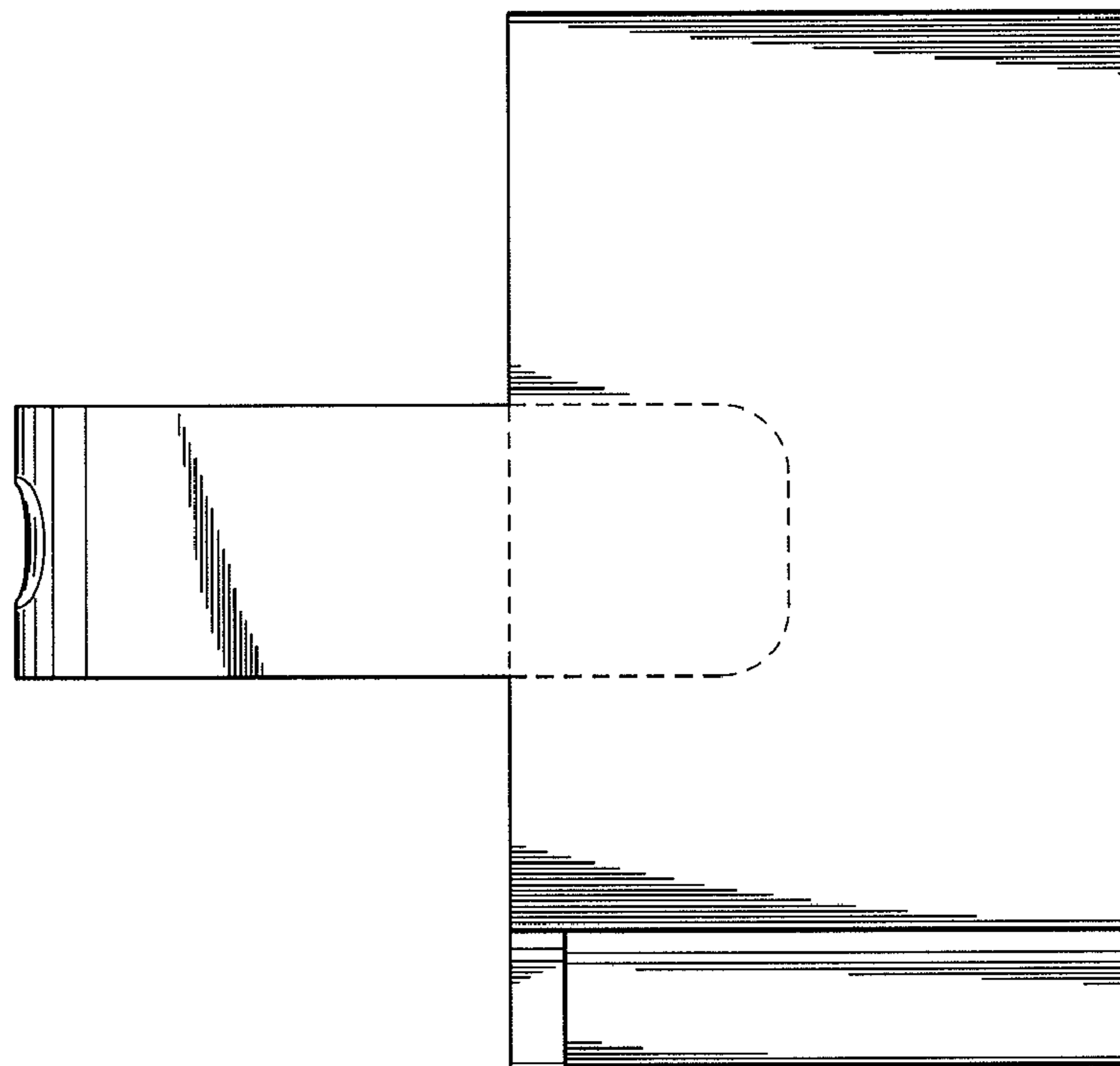


FIG. 6