

US00D597796S

(12) **United States Design Patent**
Roth et al.

(10) **Patent No.:** **US D597,796 S**

(45) **Date of Patent:** **** Aug. 11, 2009**

(54) **CONTAINER**

(76) Inventors: **Donna Roth**, 10 Cordage Park Cir.,
Suite 212, Plymouth, MA (US) 02360;
Henry Roth, 10 Cordage Park Cir., Suite
212, Plymouth, MA (US) 02360

(**) Term: **14 Years**

(21) Appl. No.: **29/326,891**

(22) Filed: **Oct. 27, 2008**

Related U.S. Application Data

(62) Division of application No. 29/322,819, filed on Aug. 13, 2008, now Pat. No. Des. 584,571, which is a division of application No. 29/281,556, filed on Jun. 26, 2007, now Pat. No. Des. 576,450.

(51) **LOC (9) Cl.** **07-01**

(52) **U.S. Cl.** **D7/629**

(58) **Field of Classification Search** D7/510,
D7/511, 612-615, 601, 602, 629, 538-542;
D9/428, 549, 559, 435, 446; 220/780-806,
220/203.1, 574-575

See application file for complete search history.

(56) **References Cited**

U.S. PATENT DOCUMENTS

D180,049 S 4/1957 Tupper
D244,415 S * 5/1977 Daenen D9/428

D421,547 S 3/2000 Demers
D447,917 S * 9/2001 Miller et al. D7/629
D482,936 S * 12/2003 Miller et al. D7/629
D501,366 S * 2/2005 Claypool et al. D7/602
D524,153 S * 7/2006 Reinhard D9/428
D527,588 S * 9/2006 de Groote et al. D7/629
D531,461 S 11/2006 Littmann

* cited by examiner

Primary Examiner—Terry A Wallace

(74) *Attorney, Agent, or Firm*—Garcia-Zamor IP Law; Ruy M. Garcia-Zamor

(57) **CLAIM**

The ornamental design for a container, as shown and described.

DESCRIPTION

FIG. 1 is a perspective view of a container showing our new design.

FIG. 2 is a right side view thereof, the opposite side being a mirror image.

FIG. 3 is a front elevation view thereof.

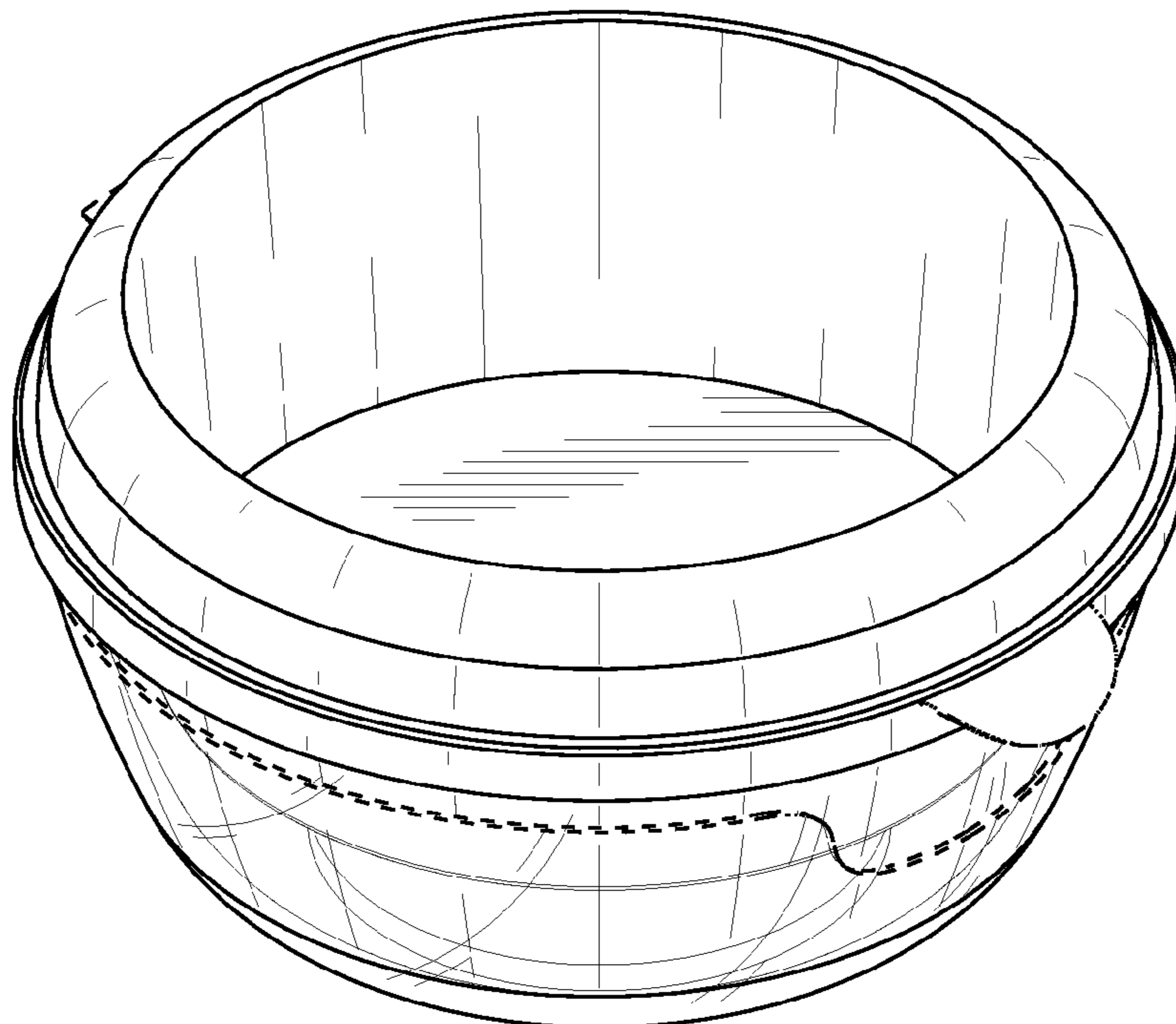
FIG. 4 is a top plan view thereof.

FIG. 5 is a rear elevation view thereof; and,

FIG. 6 is a bottom plan view thereof.

The broken lines are for illustrative purposes only and form no part of the claimed design.

1 Claim, 3 Drawing Sheets



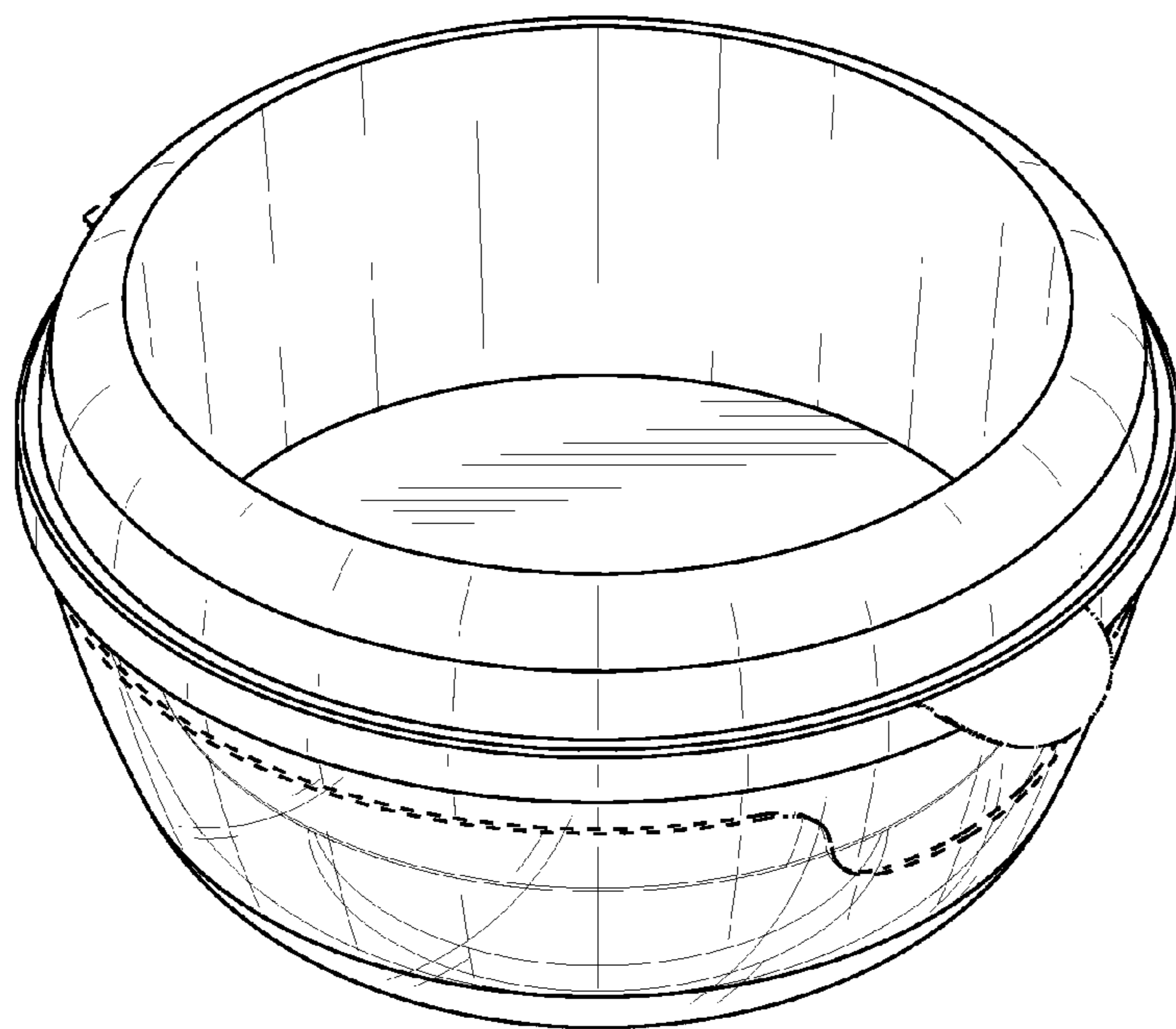


FIG. 1

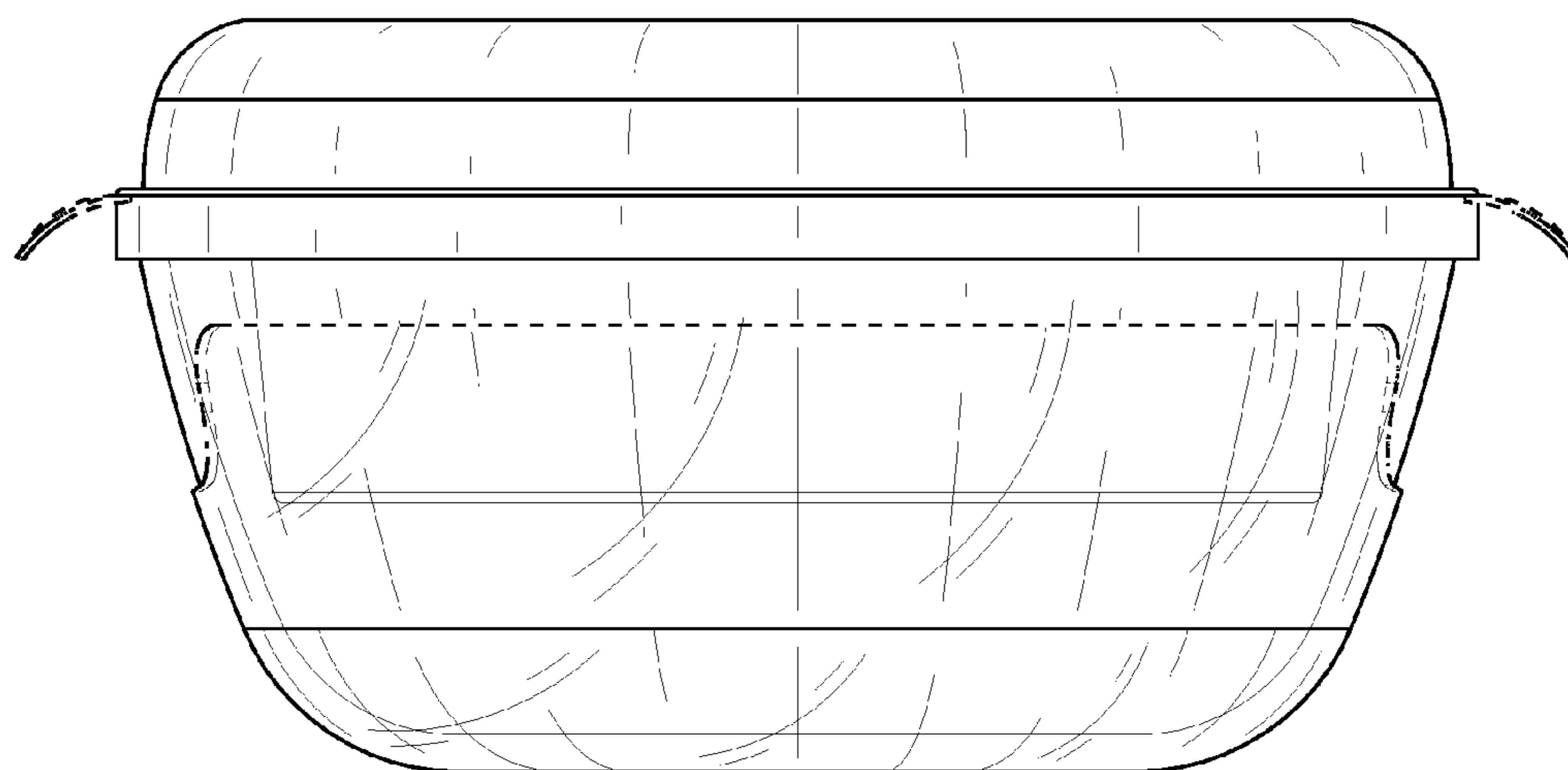


FIG. 2

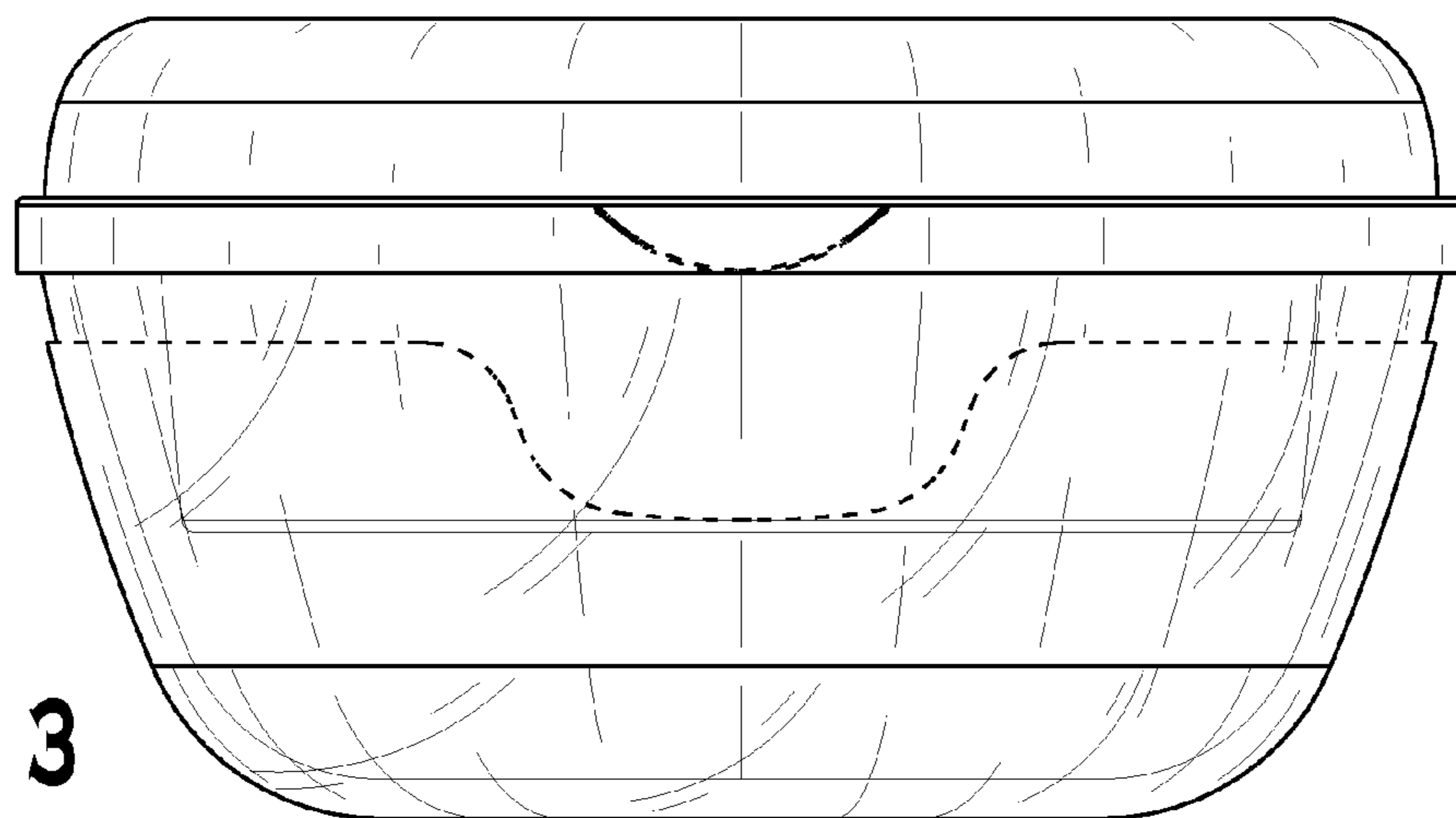


FIG. 3

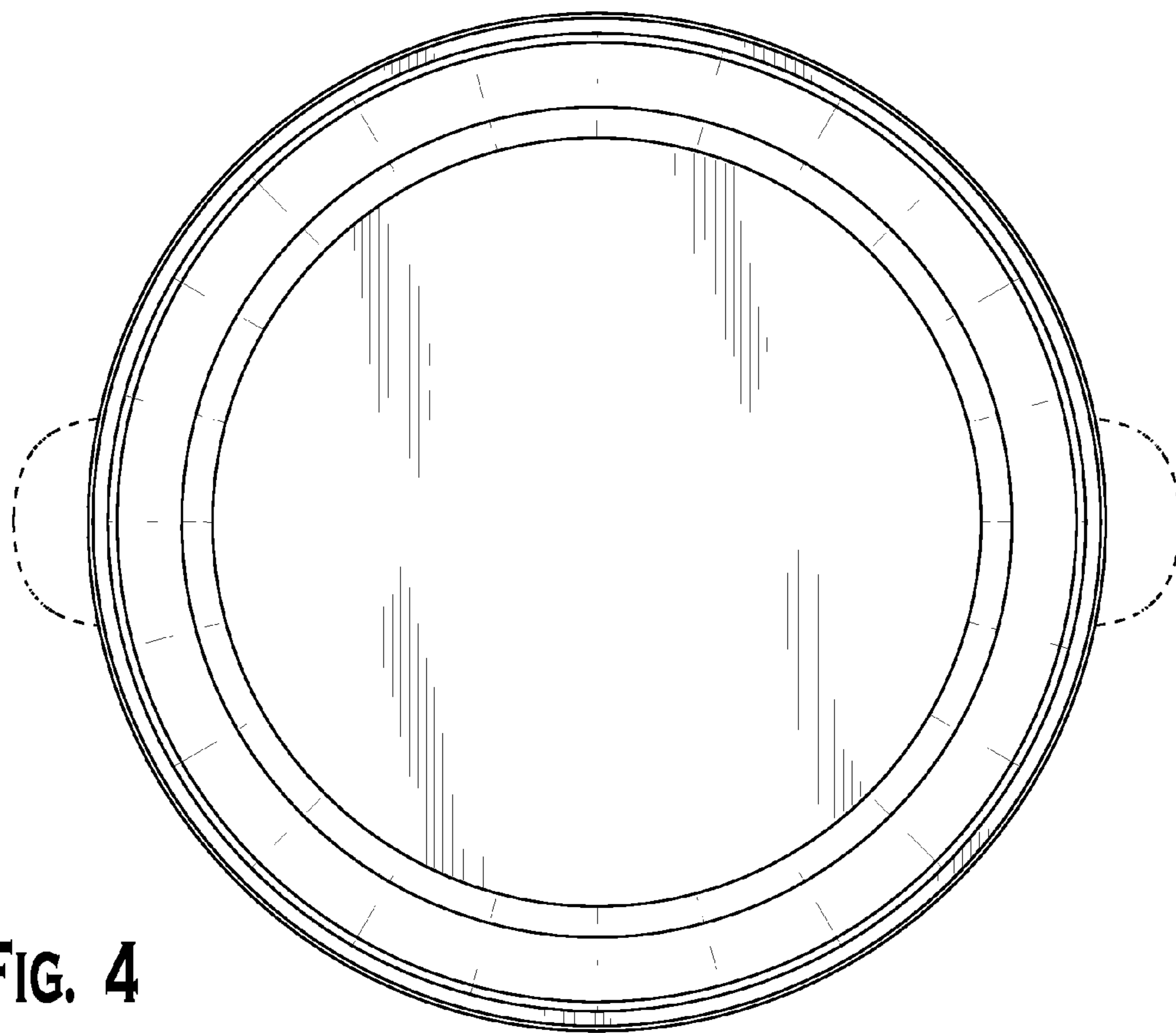


FIG. 4

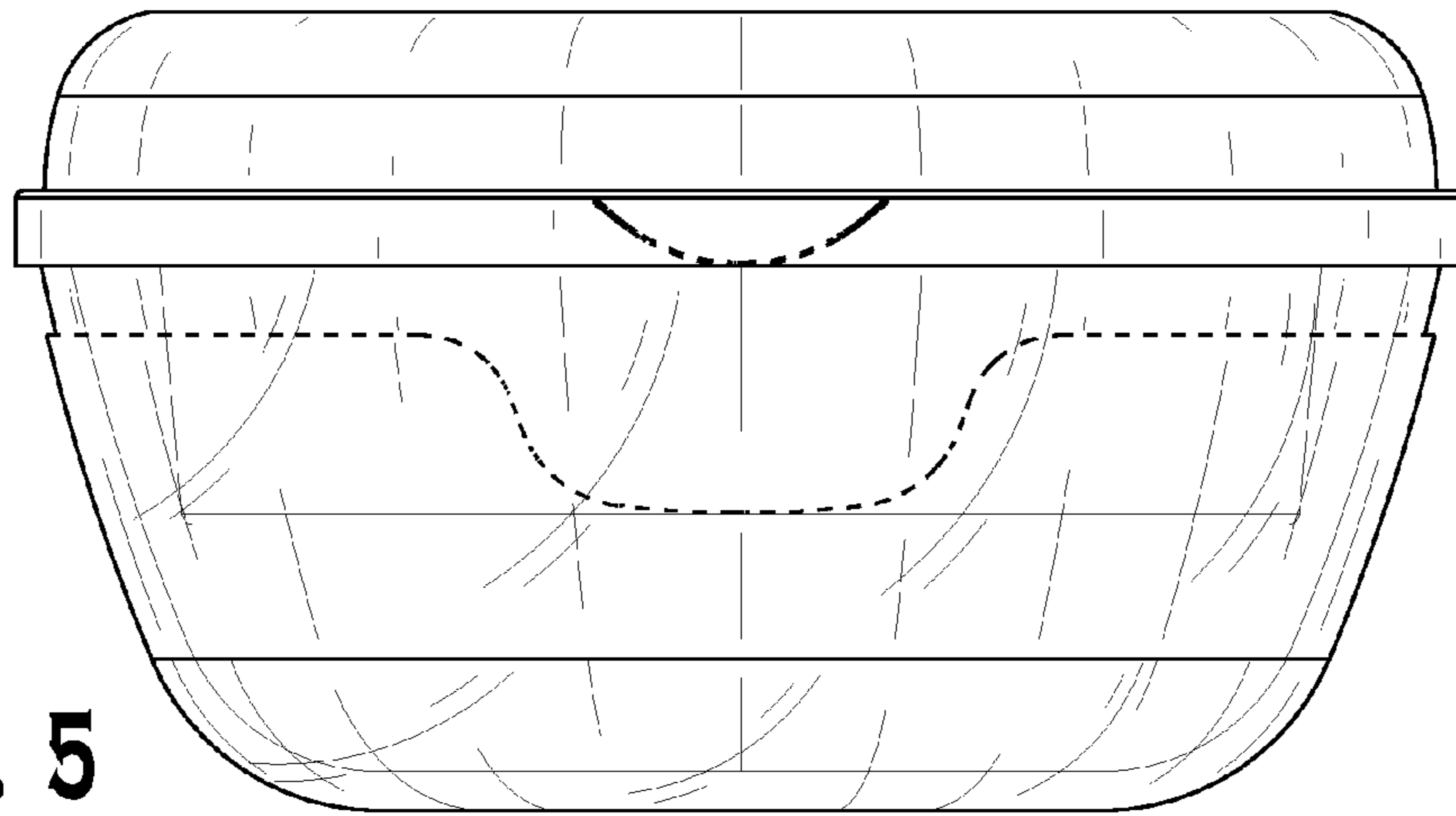


FIG. 5

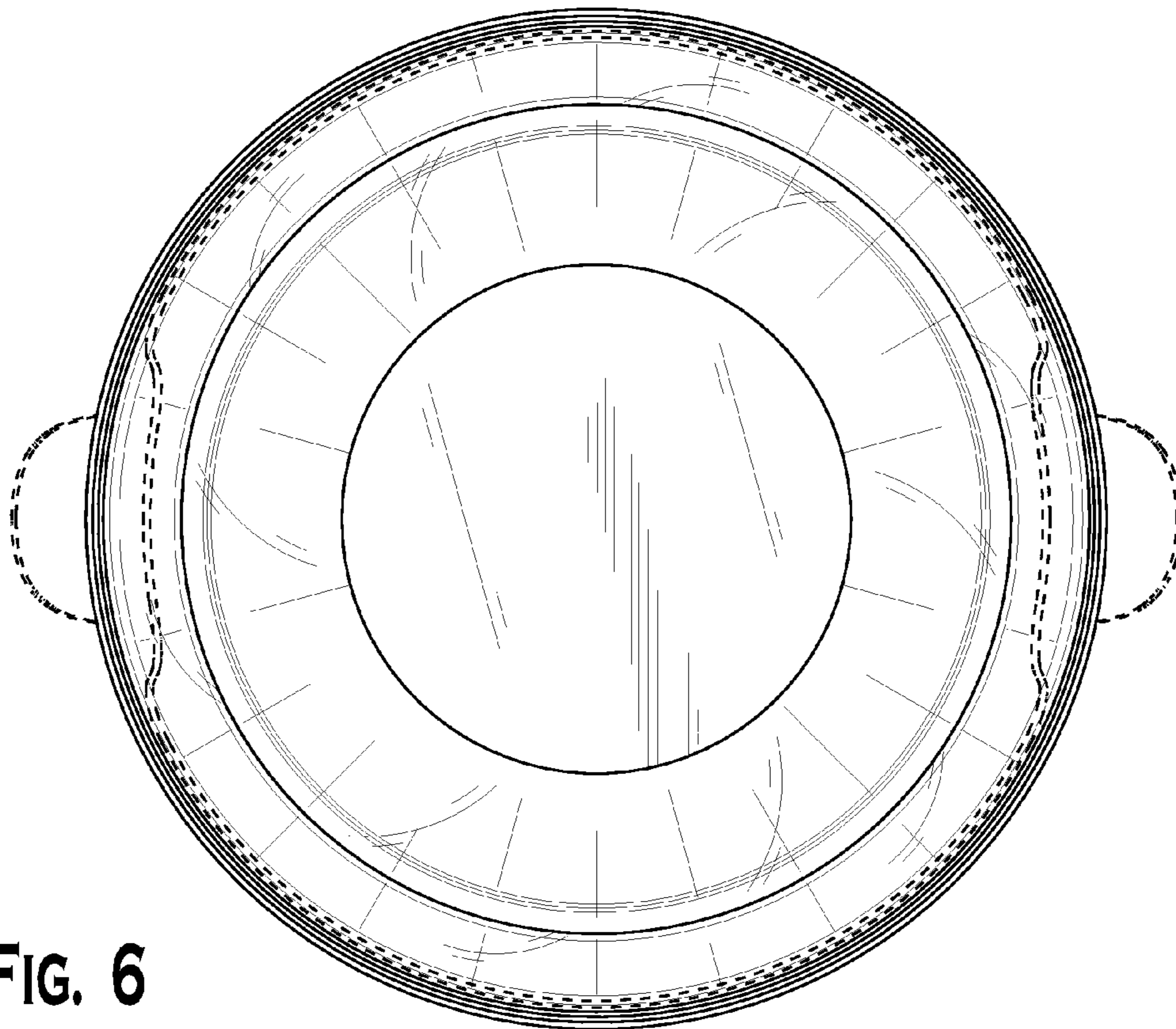


FIG. 6