



US00D597795S

(12) **United States Design Patent**  
**Ford**

(10) **Patent No.:** **US D597,795 S**

(45) **Date of Patent:** **\*\* Aug. 11, 2009**

(54) **THERMAL INSULATING DEVICE**  
(75) Inventor: **Anthony Ford**, Toowoomba (AU)  
(73) Assignee: **Innov Industries Pty Ltd**, Toowoomba,  
Queensland (AU)  
(\*\*) Term: **14 Years**  
(21) Appl. No.: **29/306,357**  
(22) Filed: **Apr. 8, 2008**

D383,993 S \* 9/1997 Kalbach ..... D11/3  
5,823,684 A \* 10/1998 Valeri ..... 383/119  
D429,447 S \* 8/2000 Prag ..... D7/607  
D439,472 S \* 3/2001 Wang ..... D7/509  
6,557,751 B2 \* 5/2003 Puerini ..... 229/402  
6,814,253 B2 \* 11/2004 Wong ..... 220/739  
2009/0030337 A1 \* 1/2009 Gozani et al. .... 600/554

\* cited by examiner

*Primary Examiner*—Robert M Spear  
*Assistant Examiner*—Cynthia Underwood  
(74) *Attorney, Agent, or Firm*—Shoemaker and Mattare

(30) **Foreign Application Priority Data**  
Oct. 9, 2007 (AU) ..... 20140/2007

(57) **CLAIM**

The ornamental design for a thermal insulating device, as shown and described.

(51) **LOC (9) Cl.** ..... **07-01**  
(52) **U.S. Cl.** ..... **D7/624.2; D7/396.2; D9/444**  
(58) **Field of Classification Search** ..... D7/625,  
D7/624.1, 619.1, 607, 608, 387, 396.2, 624.3,  
D7/396.1; D9/716, 444; 248/346.11, 311.2;  
D24/199; D20/28; 66/170; 220/739, 737;  
229/403, 198.2; 150/154; 16/DIG. 12; 428/80,  
428/102; 215/392, 394; D11/3, 5  
See application file for complete search history.

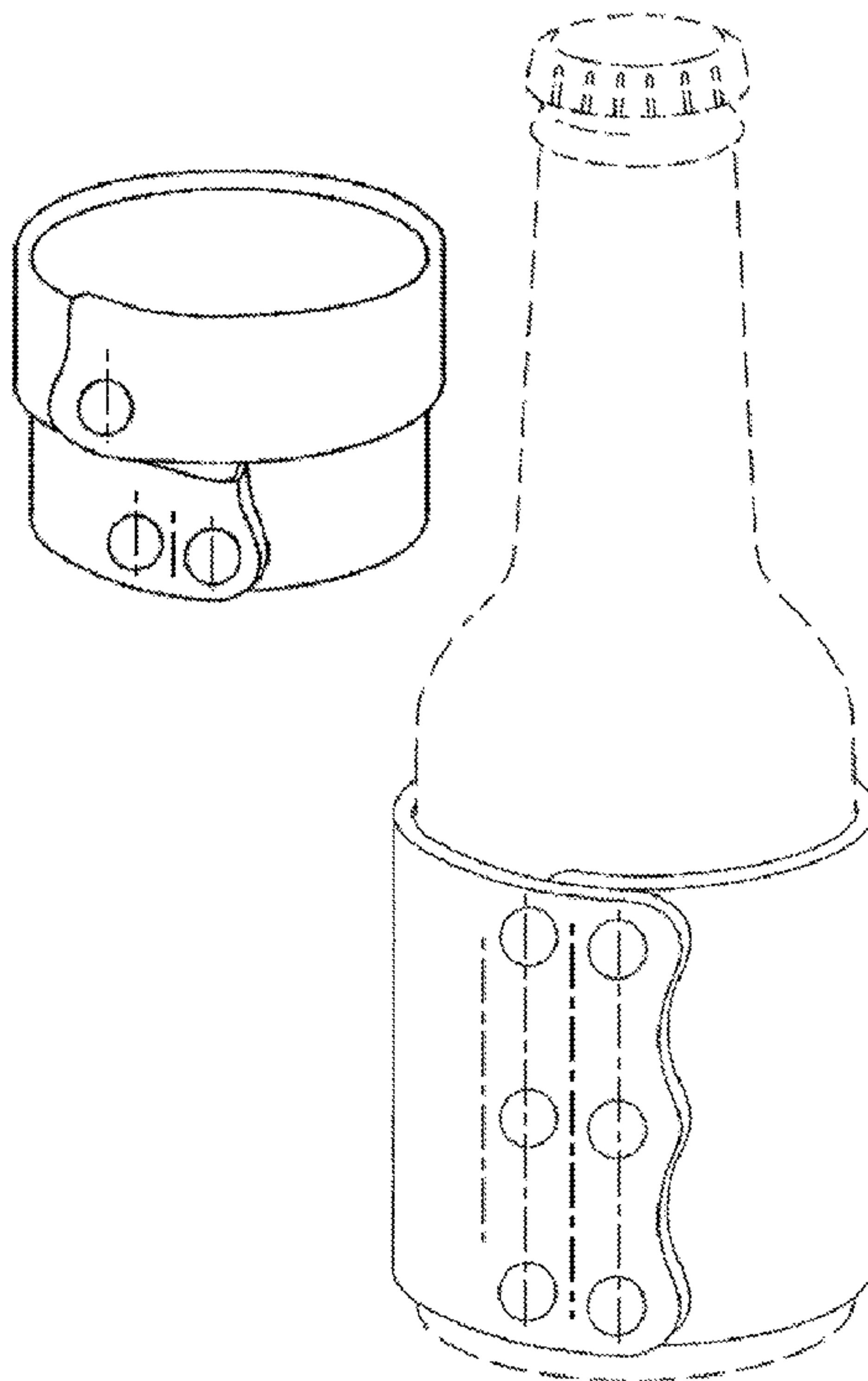
**DESCRIPTION**

FIG. 1 is a front elevational view of a thermal insulating device, laid out flat, showing my new design;  
FIG. 2 is a perspective view, from the front and top, showing the device with its ends facing one another;  
FIG. 3 is a perspective view, from the front and top, showing the device with its ends overlapped and snaps fastened;  
FIG. 4 is a perspective view thereof, partially inverted;  
FIG. 5 is a perspective view thereof, completely inverted; and,  
FIG. 6 is a perspective view like FIG. 5, showing the device in place on a beverage bottle.

The broken lines represent the claimed design in use on a bottle and form no part of the claim.

(56) **References Cited**  
U.S. PATENT DOCUMENTS  
1,427,891 A \* 9/1922 Ziegler ..... 40/633  
1,899,284 A \* 2/1933 Manhard ..... 40/310  
3,700,148 A \* 10/1972 Lanvin ..... 224/170  
3,983,483 A \* 9/1976 Pando ..... 455/90.2  
4,989,418 A \* 2/1991 Hewlett ..... 62/457.4  
D341,293 S \* 11/1993 Guo ..... D7/607

**1 Claim, 3 Drawing Sheets**



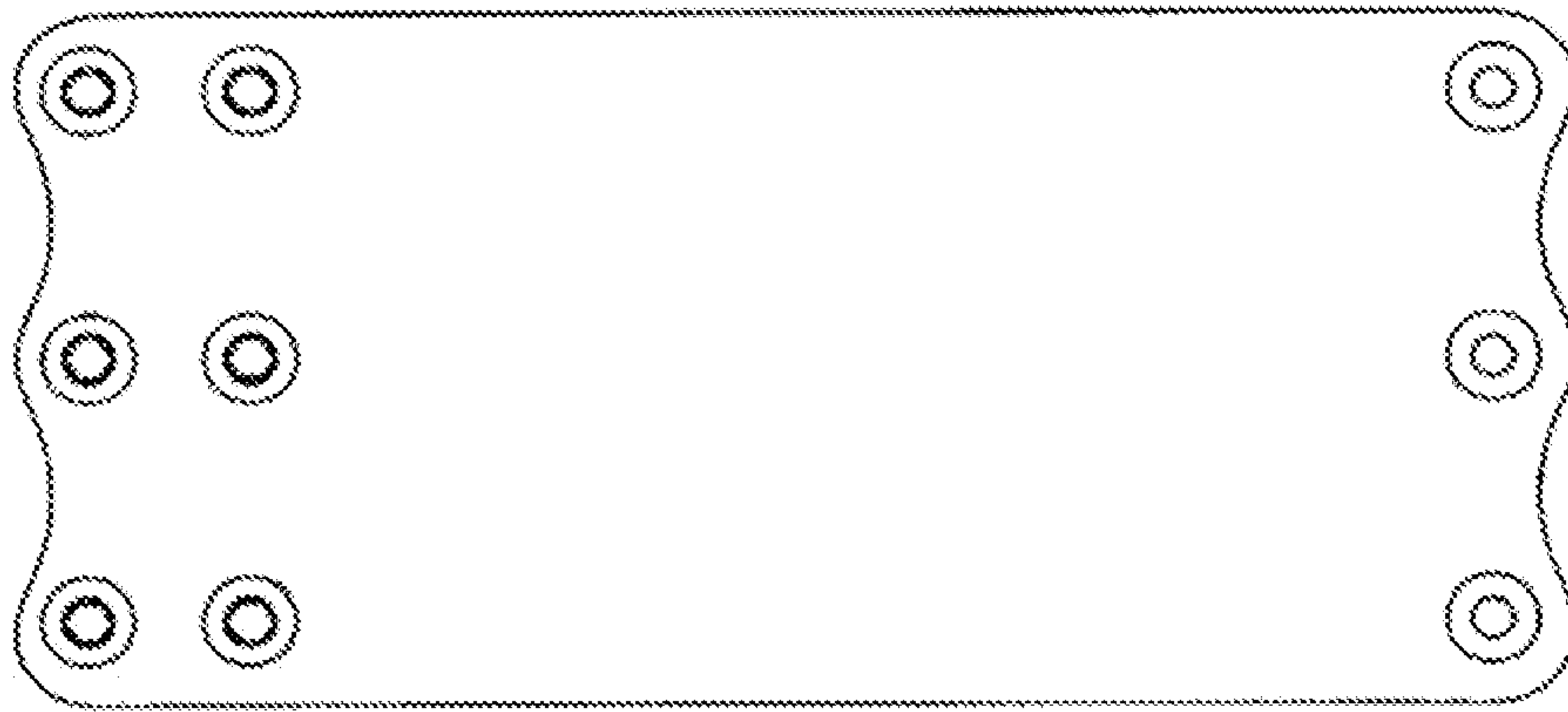


Fig. 1

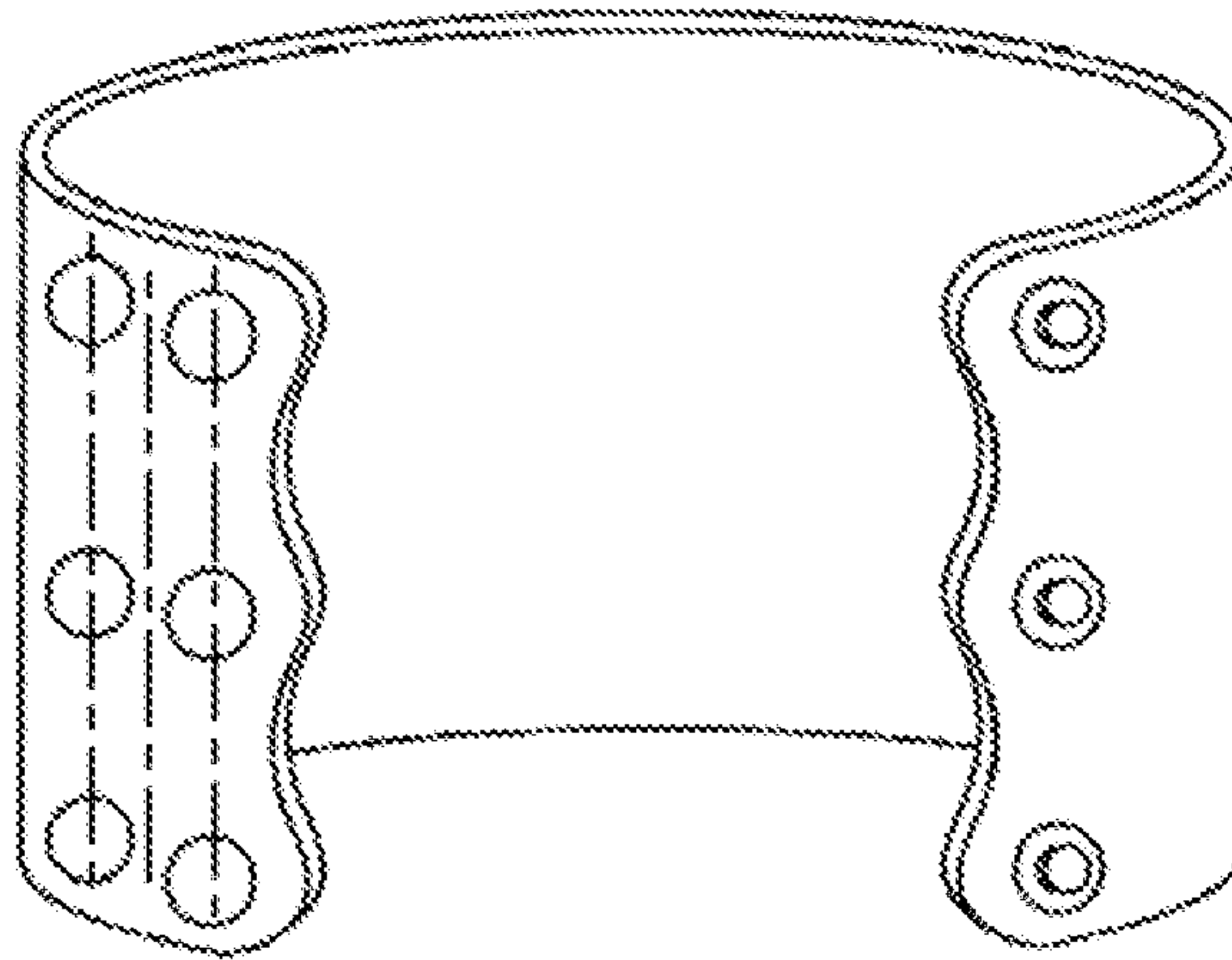


Fig. 2

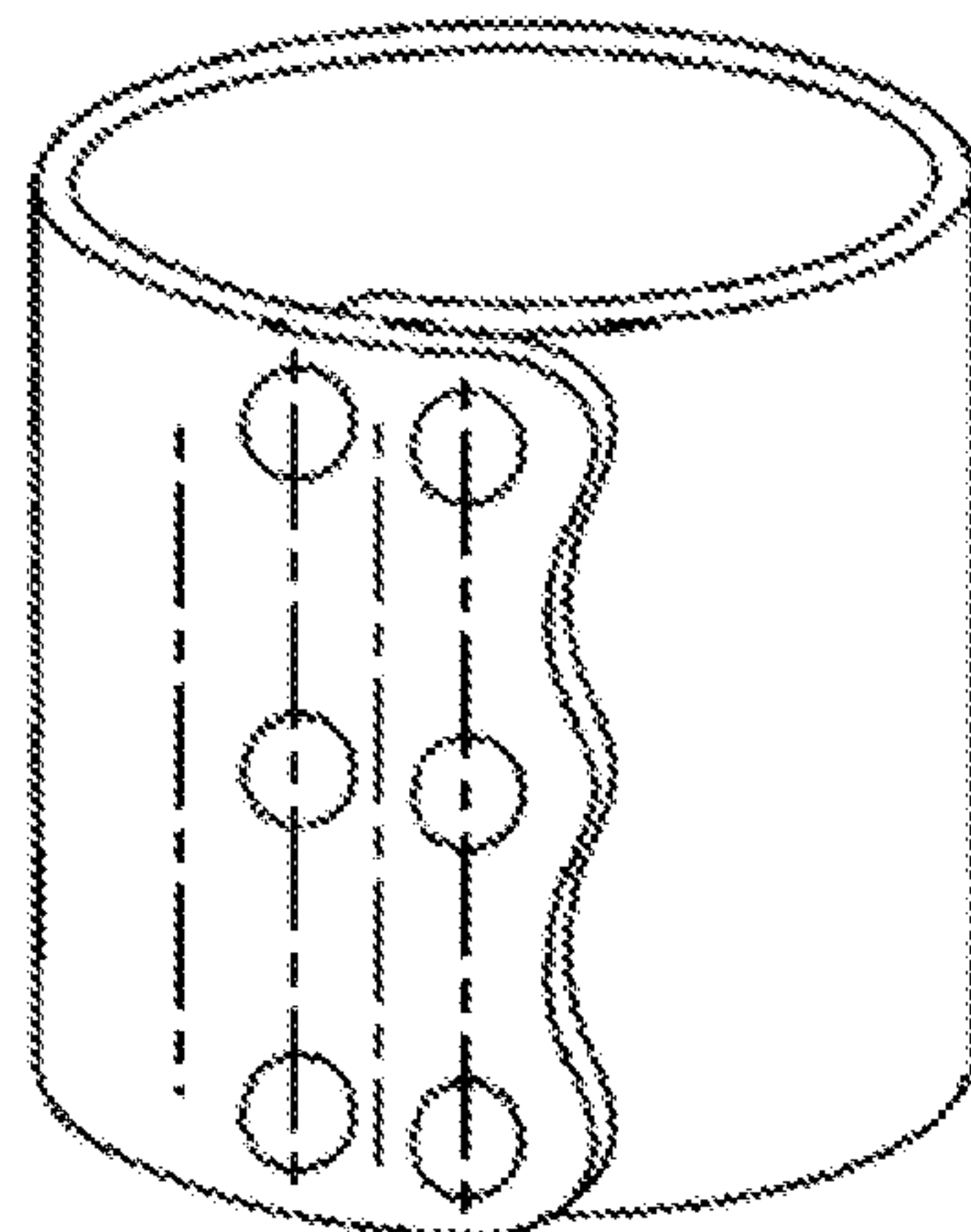


Fig. 3

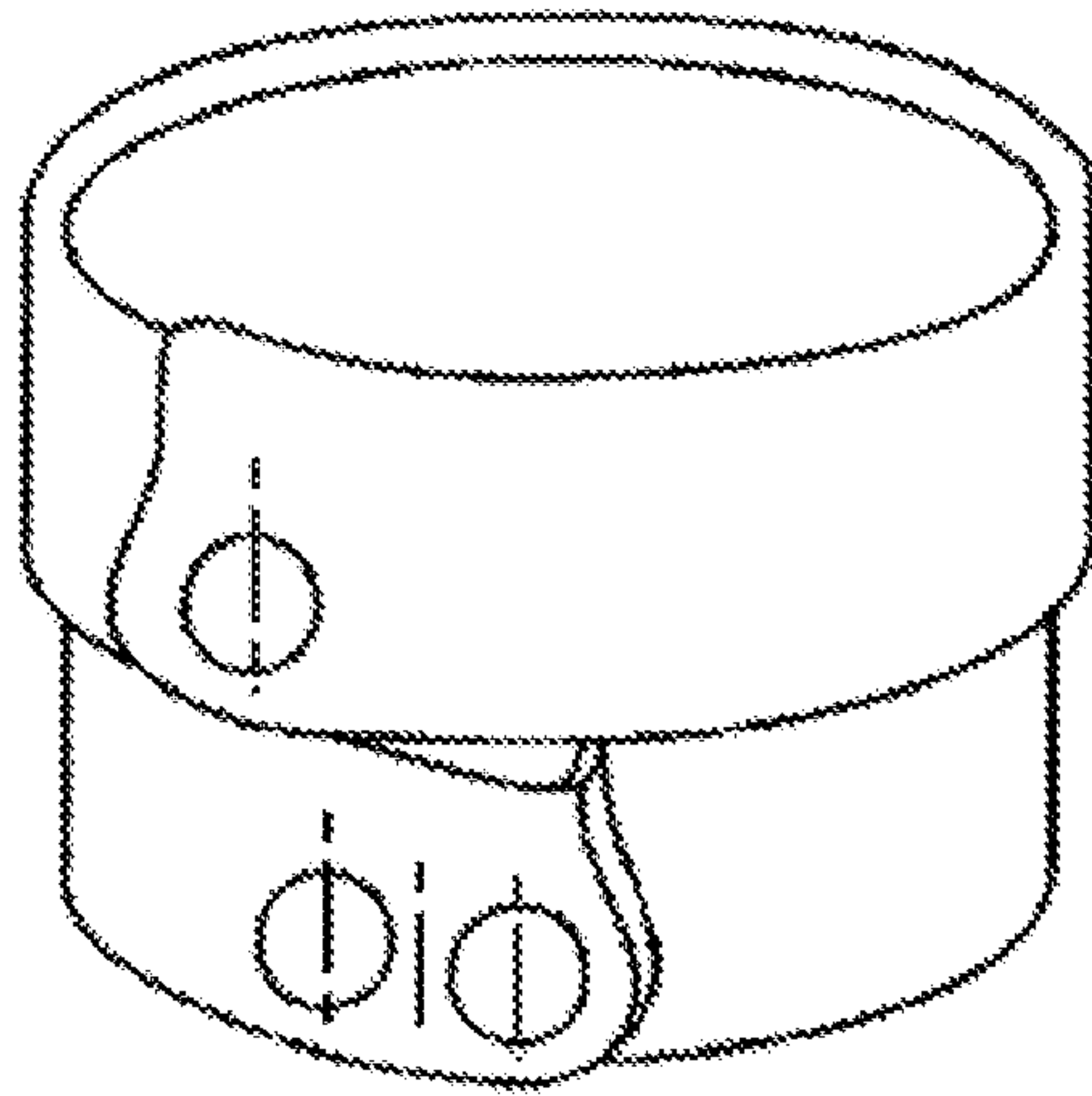


Fig. 4

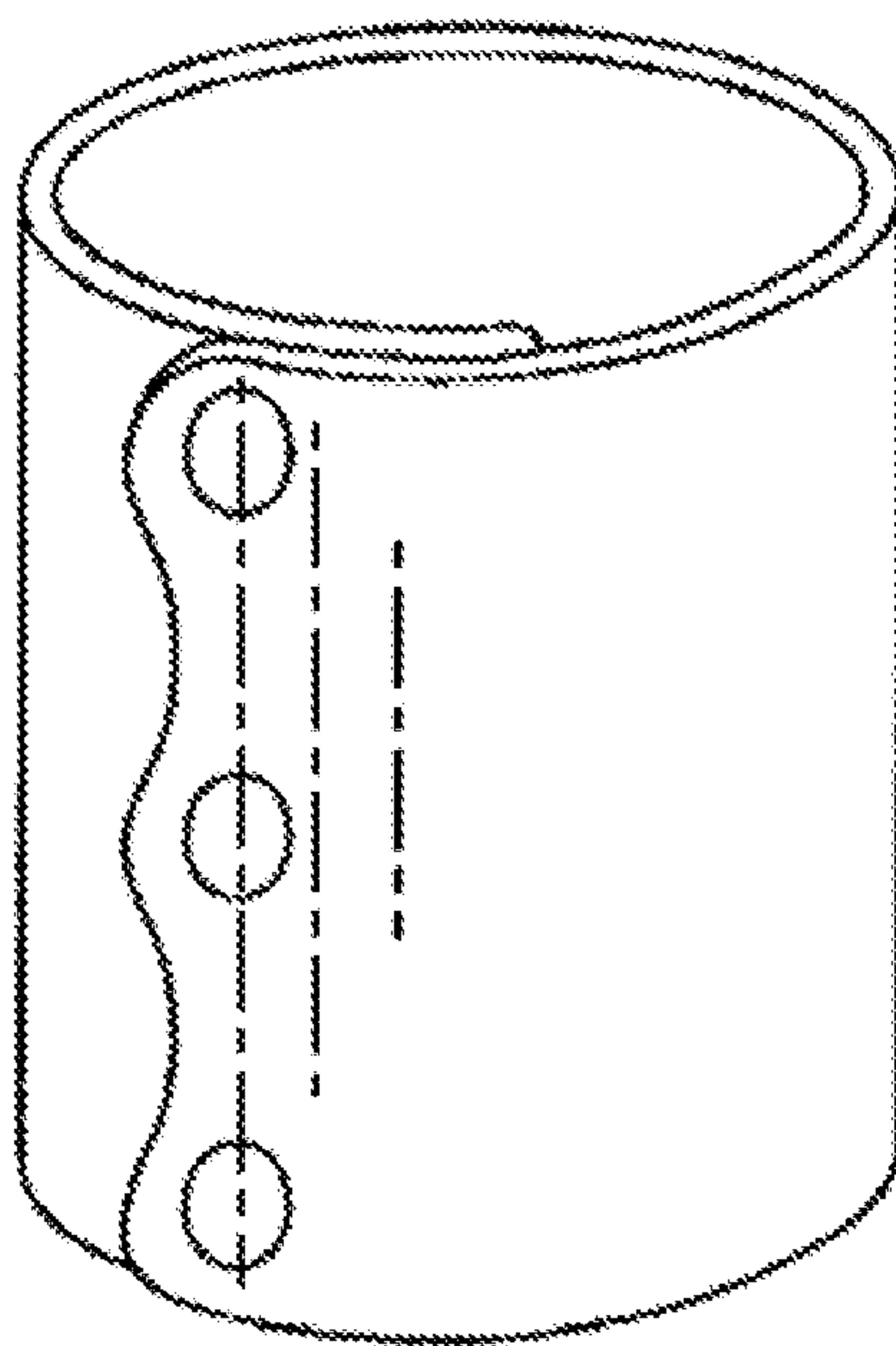


Fig. 5

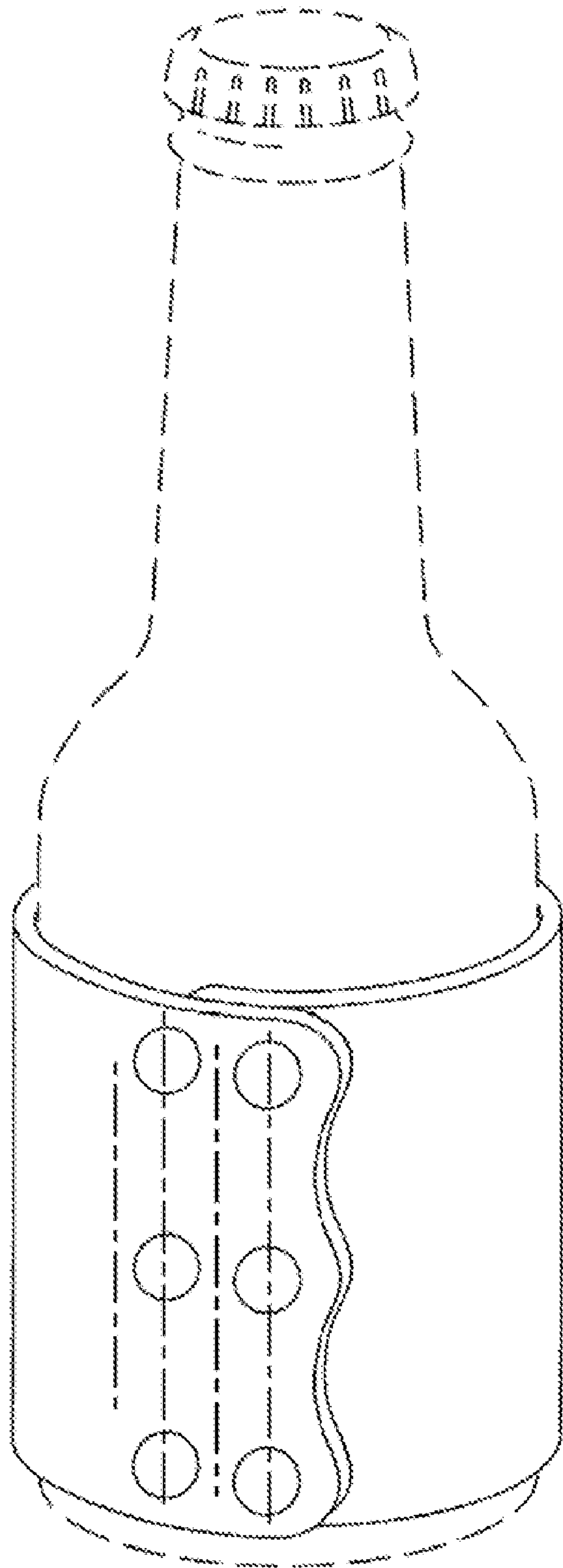


Fig. 6