

US00D597793S

(12) **United States Design Patent**  
**Krueger et al.**

(10) **Patent No.:** **US D597,793 S**

(45) **Date of Patent:** **\*\* Aug. 11, 2009**

(54) **RESERVING MICROWAVE CONTAINER  
COMPRISING A BOWL WITH A LID**

(75) Inventors: **Kevin Krueger**, Fenton, MO (US);  
**Jason Shuey**, St. Louis, MO (US); **Tim  
Cimmerer**, Paragould, AR (US); **Satya  
Garg**, St. Louis, MO (US)

(73) Assignee: **Anchor Packaging**, St. Louis, MO (US)

(\*\*) Term: **14 Years**

(21) Appl. No.: **29/301,588**

(22) Filed: **Mar. 7, 2008**

**Related U.S. Application Data**

(62) Division of application No. 29/273,019, filed on Feb.  
23, 2007.

(51) **LOC (9) Cl.** ..... **07-01**

(52) **U.S. Cl.** ..... **D7/538; D7/500**

(58) **Field of Classification Search** ..... D7/500,  
D7/538, 540, 542, 545, 602, 608, 629, 656;  
D9/414, 424, 428, 429; 220/4.21, 574, 573.1,  
220/573.5; 219/725

See application file for complete search history.

(56) **References Cited**

**U.S. PATENT DOCUMENTS**

D22,701	S	*	8/1893	McGill	.....	D9/425
3,360,153	A	*	12/1967	Wheaton, Jr.	.....	220/4.21
D323,097	S	*	1/1992	Picozza	.....	D7/542
D324,324	S	*	3/1992	Picozza	.....	D7/565
D337,051	S	*	7/1993	Harbeke	.....	D9/424
D352,423	S	*	11/1994	Laib	.....	D7/538
D358,091	S	*	5/1995	Warburton	.....	D9/429
D391,850	S	*	3/1998	Krupa et al.	.....	D9/429
D426,427	S	*	6/2000	Rubbright et al.	.....	D7/565
6,175,105	B1	*	1/2001	Rubbright et al.	.....	219/725
6,217,918	B1	*	4/2001	Oh et al.	.....	426/89
D454,304	S	*	3/2002	Kim et al.	.....	D9/429
D468,202	S	*	1/2003	Chou	.....	D9/429
D473,788	S	*	4/2003	Chen et al.	.....	D9/428

D485,470	S	*	1/2004	Willis	.....	D7/542
6,733,852	B2	*	5/2004	Littlejohn et al.	.....	428/35.7
D551,909	S	*	10/2007	Eide et al.	.....	D7/565
2002/0175171	A1	*	11/2002	Stewart et al.	.....	220/781

\* cited by examiner

*Primary Examiner*—Philip S Hyder

*Assistant Examiner*—Cynthia Underwood

(74) *Attorney, Agent, or Firm*—Gallop, Johnson & Neuman

(57) **CLAIM**

The ornamental design for a reserving microwave container comprising a bowl with a lid, as shown.

**DESCRIPTION**

FIG. 1 is a perspective view of a first embodiment reserving microwave container comprising a bowl with a lid showing our new design;

FIG. 2 is a front elevation view thereof;

FIG. 3 is a rear elevation view thereof;

FIG. 4 is a left side elevation view thereof;

FIG. 5 is a right side elevation view thereof;

FIG. 6 is a top plan view thereof;

FIG. 7 is a bottom plan view thereof;

FIG. 8 is an exploded perspective view thereof, with the lid detached from the bowl for clarity of illustration;

FIG. 9 is top plan view of the lid thereof;

FIG. 10 is a bottom plan view of the lid thereof;

FIG. 11 is a front elevation view of the lid thereof;

FIG. 12 is a rear elevation view of the lid thereof;

FIG. 13 is a left side elevation view of the lid thereof;

FIG. 14 is a right side elevation view of the lid thereof;

FIG. 15 is a top plan view of the bowl thereof;

FIG. 16 is a bottom plan view of the bowl thereof;

FIG. 17 is a front elevation view of the bowl thereof;

FIG. 18 is a rear elevation view of the bowl thereof;

FIG. 19 is a left side elevation view of the bowl thereof; and

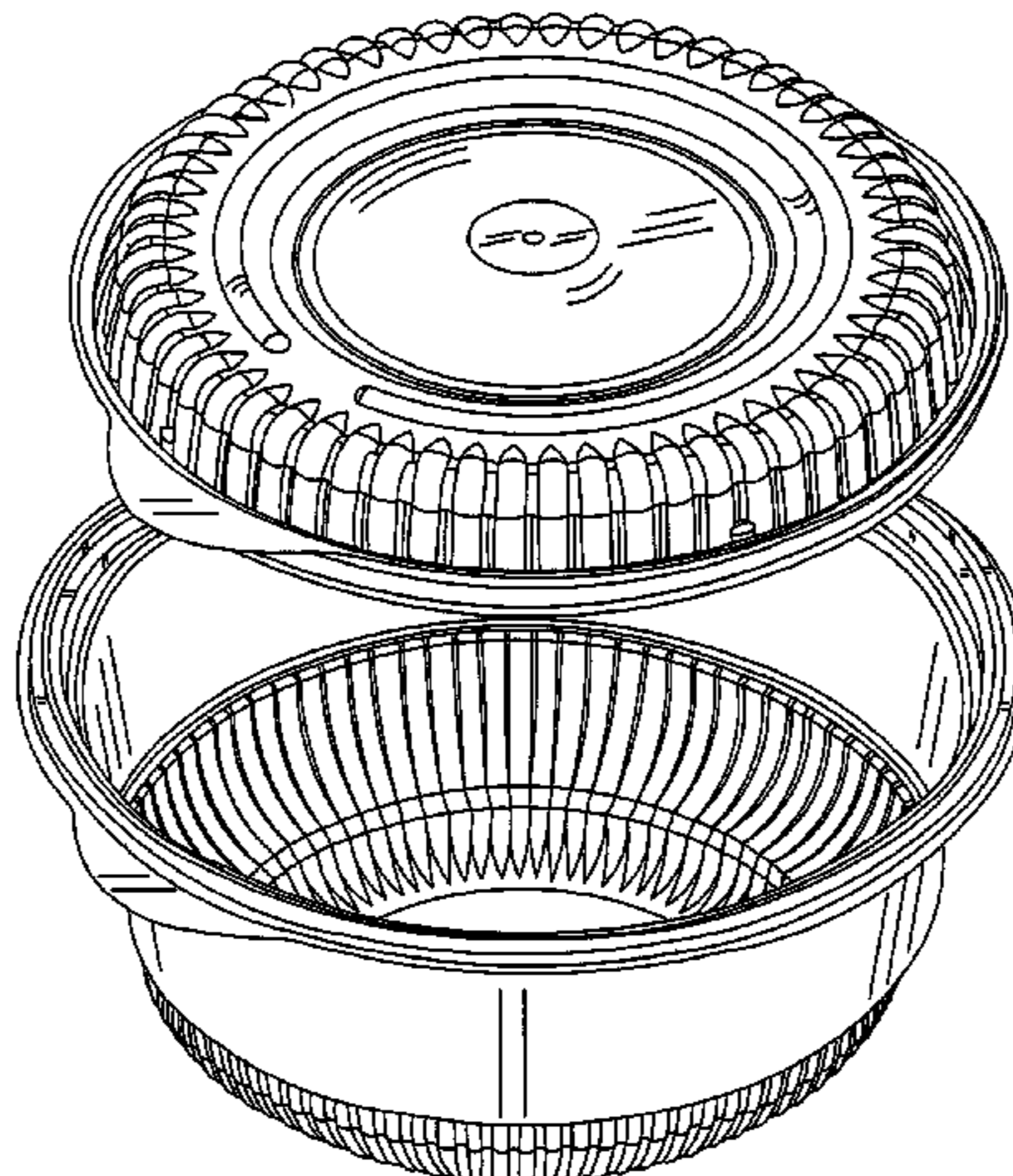


FIG. **20** is a right side elevation view of the bowl thereof.

FIG. **21** is a perspective view of a second embodiment reserving microwave container comprising a bowl with a lid showing our new design;

FIG. **22** is a front elevation view thereof;

FIG. **23** is a rear elevation view thereof;

FIG. **24** is a left side elevation view thereof;

FIG. **25** is a right side elevation view thereof;

FIG. **26** is a top plan view thereof;

FIG. **27** is a bottom plan view thereof;

FIG. **28** is an exploded perspective view thereof, with the lid detached from the bowl for clarity of illustration;

FIG. **29** is top plan view of the lid thereof;

FIG. **30** is a bottom plan view of the lid thereof;

FIG. **31** is a front elevation view of the lid thereof;

FIG. **32** is a rear elevation view of the lid thereof;

FIG. **33** is a left side elevation view of the lid thereof;

FIG. **34** is a right side elevation view of the lid thereof;

FIG. **35** is a top plan view of the bowl thereof;

FIG. **36** is a bottom plan view of the bowl thereof;

FIG. **37** is a front elevation view of the bowl thereof;

FIG. **38** is a rear elevation view of the bowl thereof

FIG. **39** is a left side elevation view of the bowl thereof; and,

FIG. **40** is a right side elevation view of the bowl thereof.

**1 Claim, 36 Drawing Sheets**

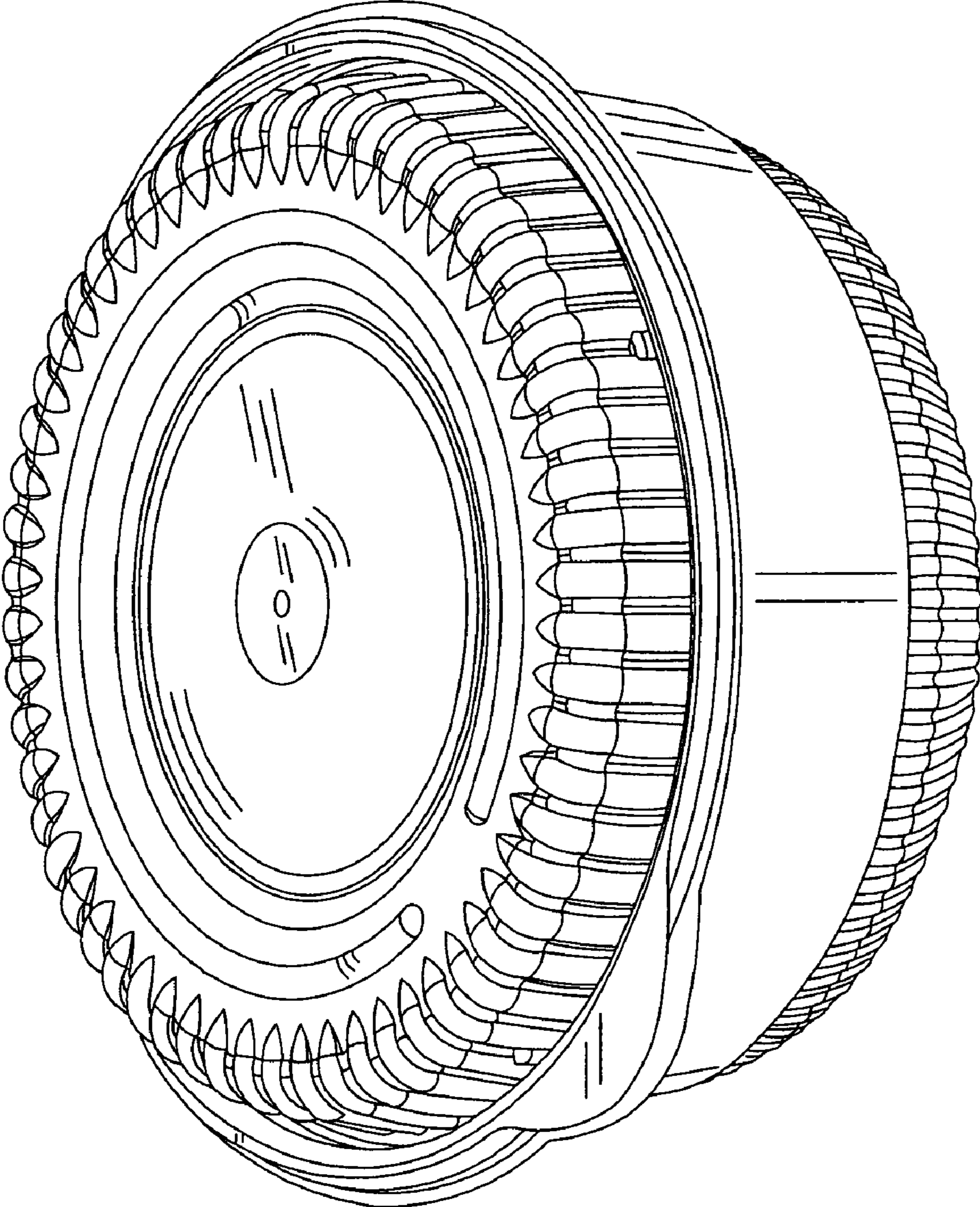


FIG. 1

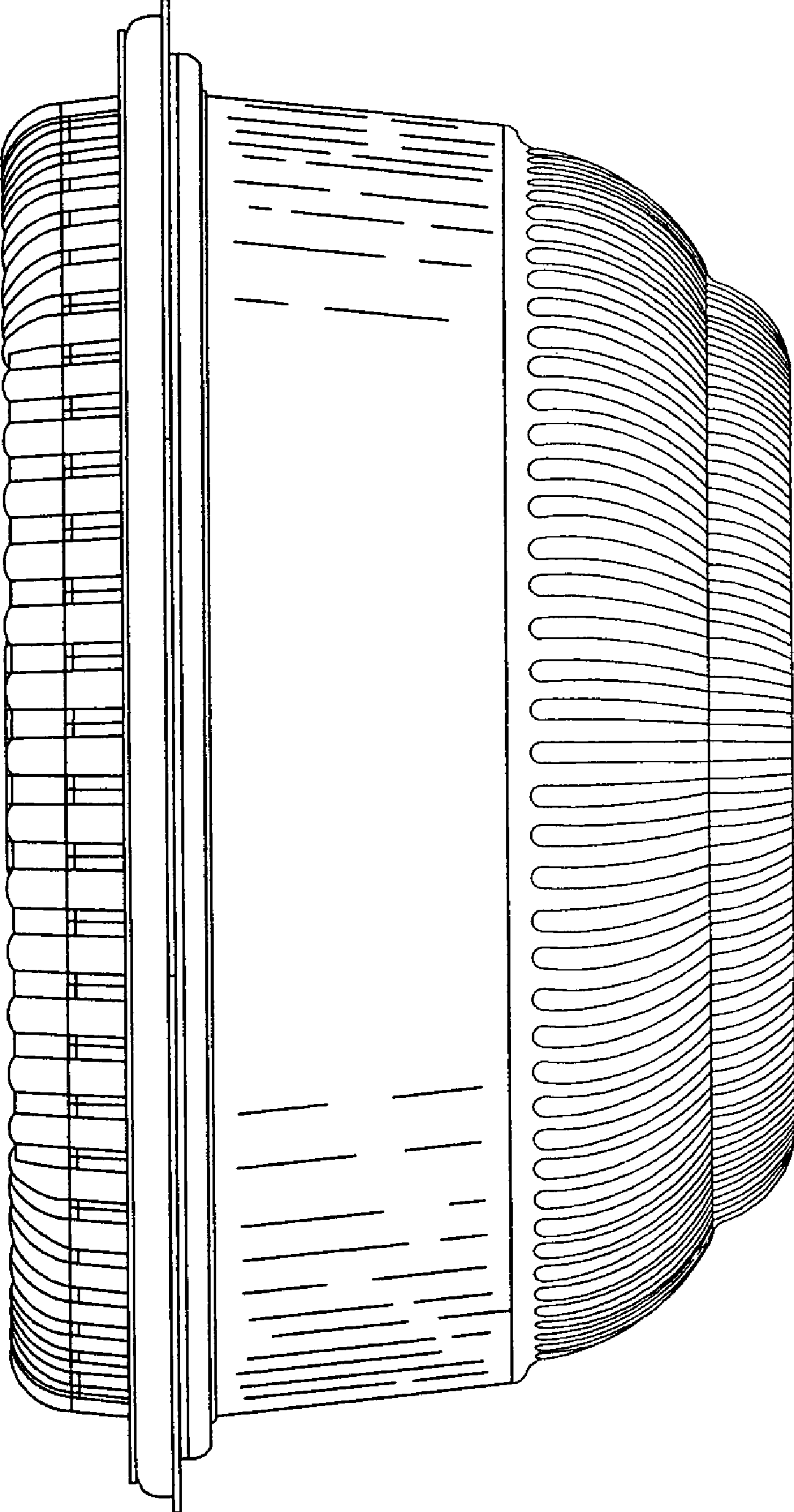


FIG. 2

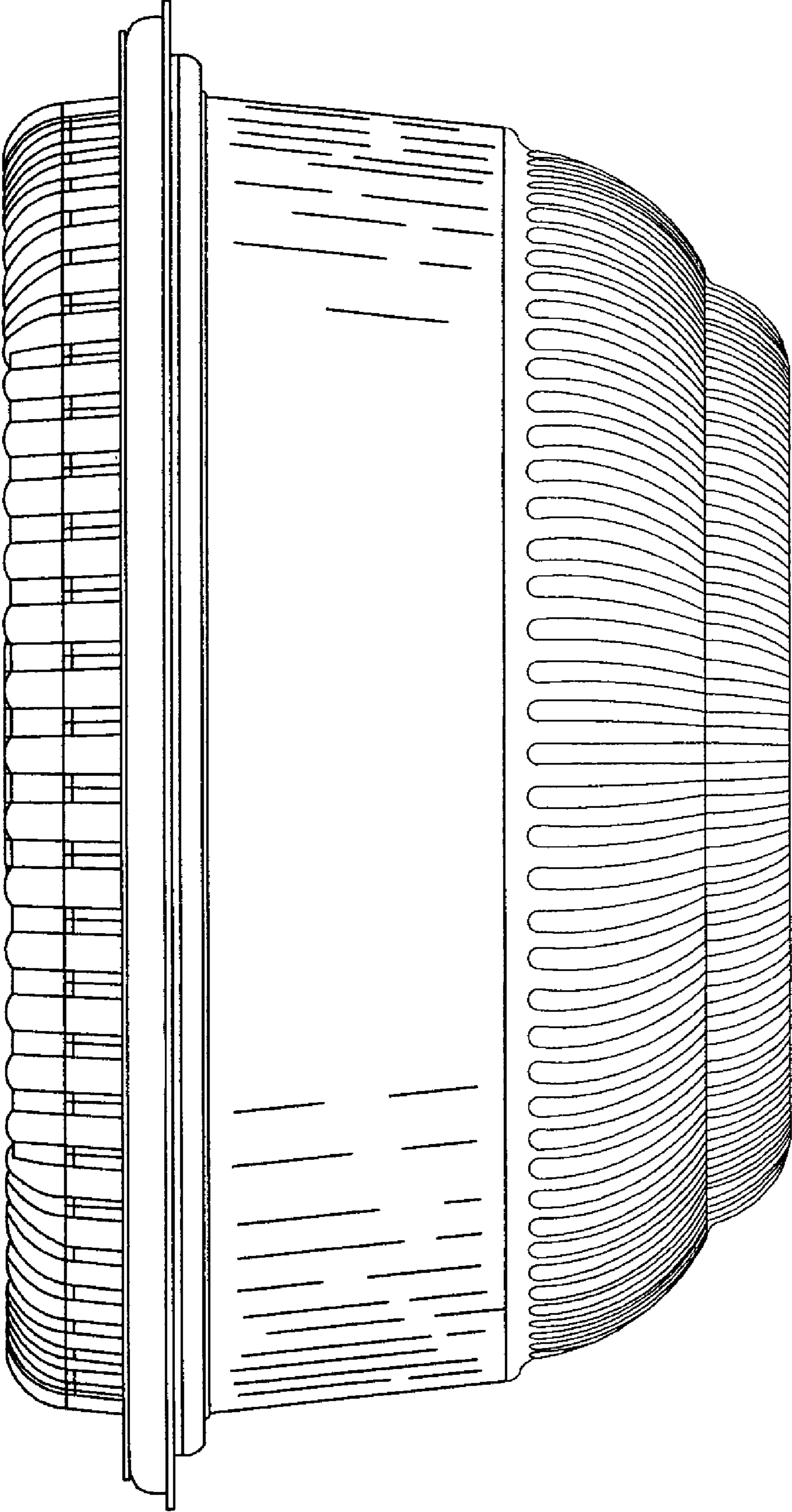


FIG. 3

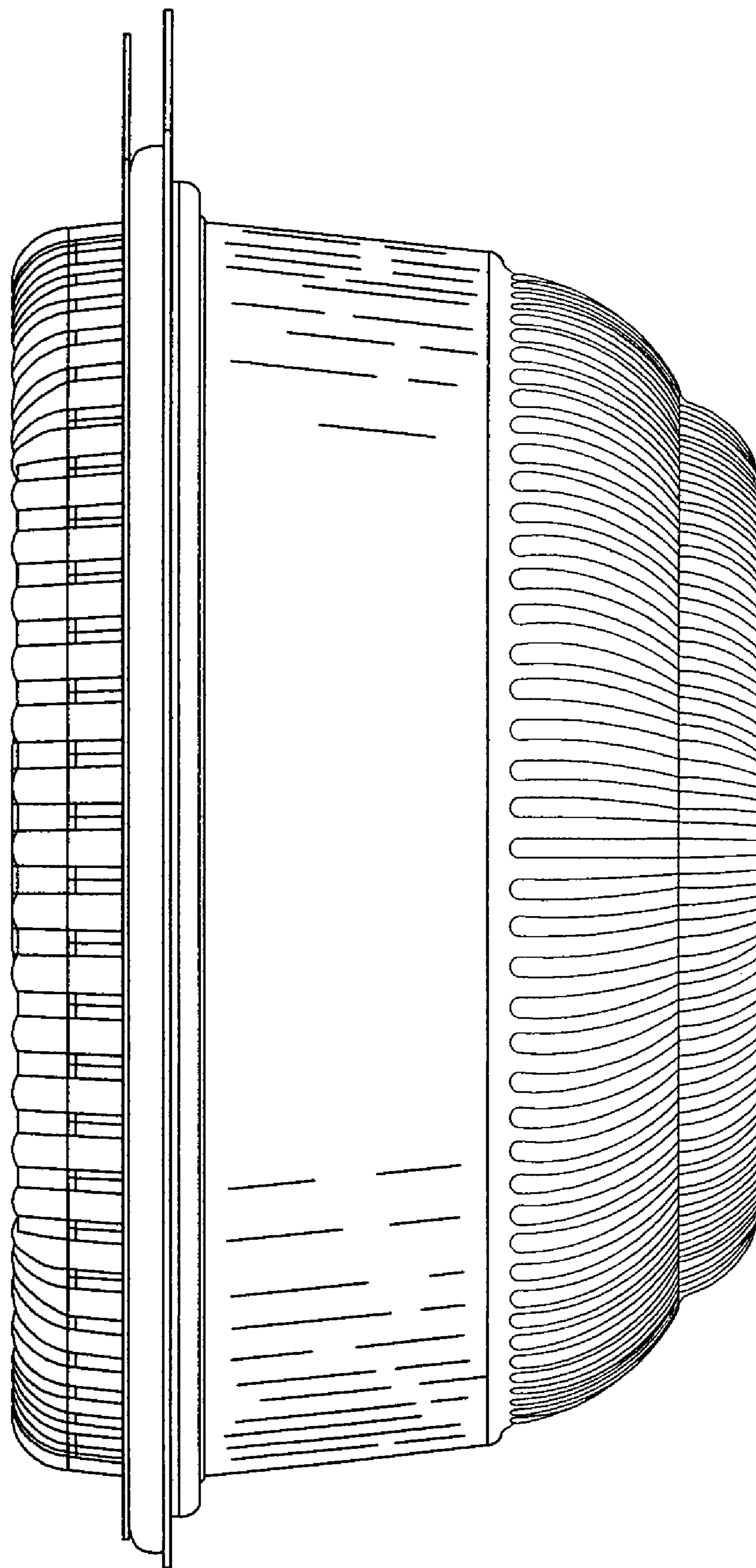


FIG. 4

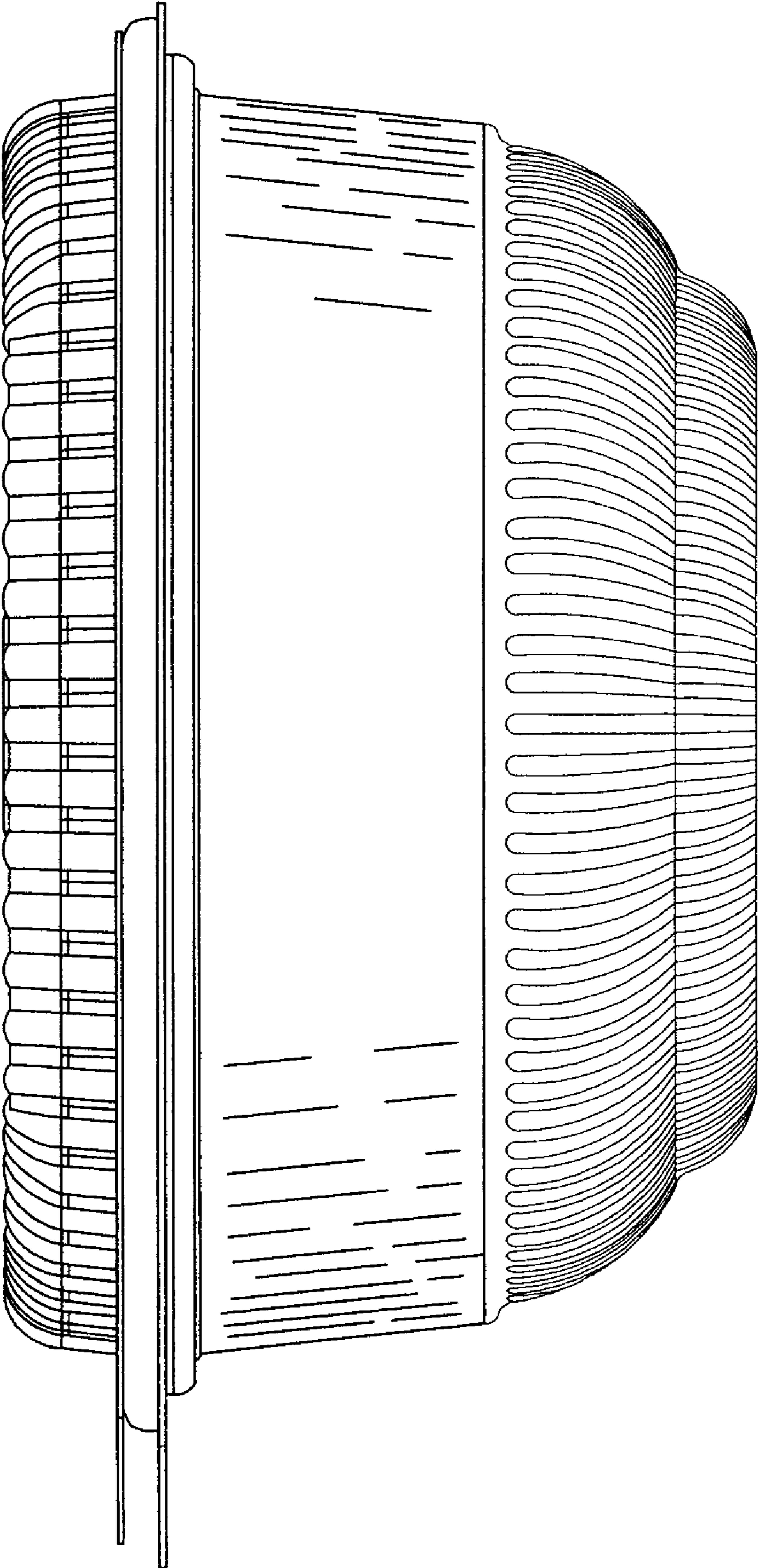


FIG. 5

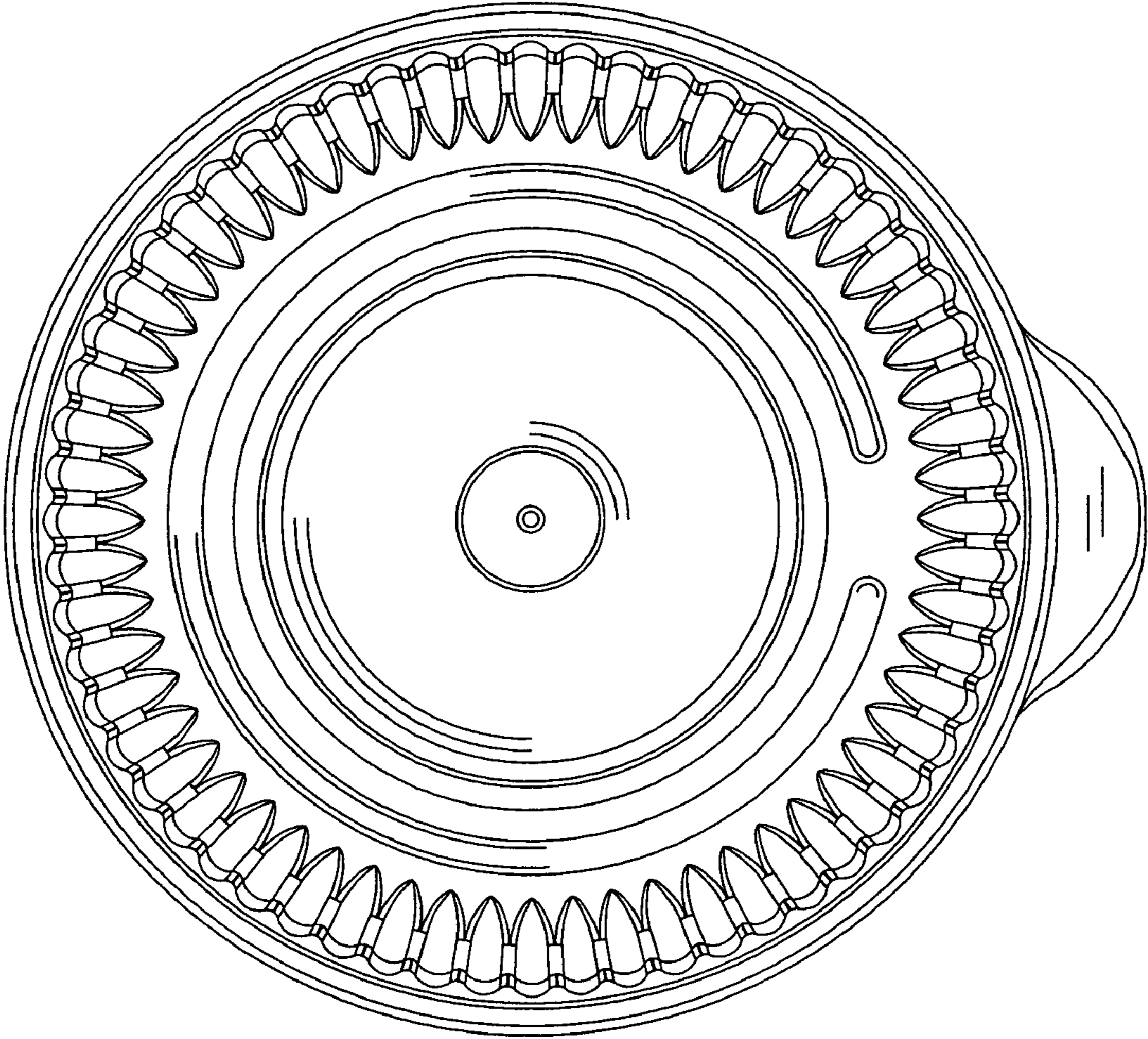


FIG. 6



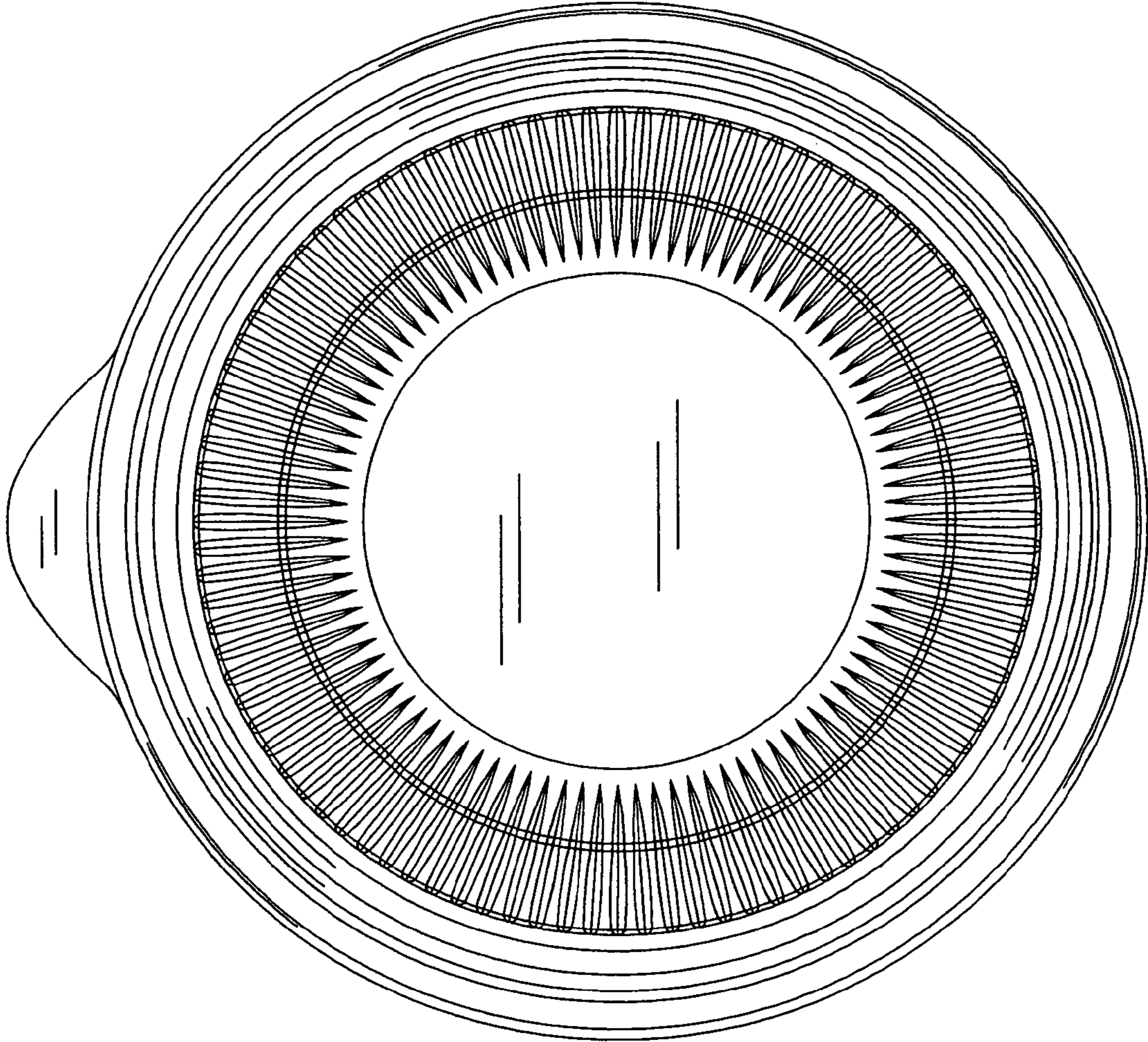


FIG. 7

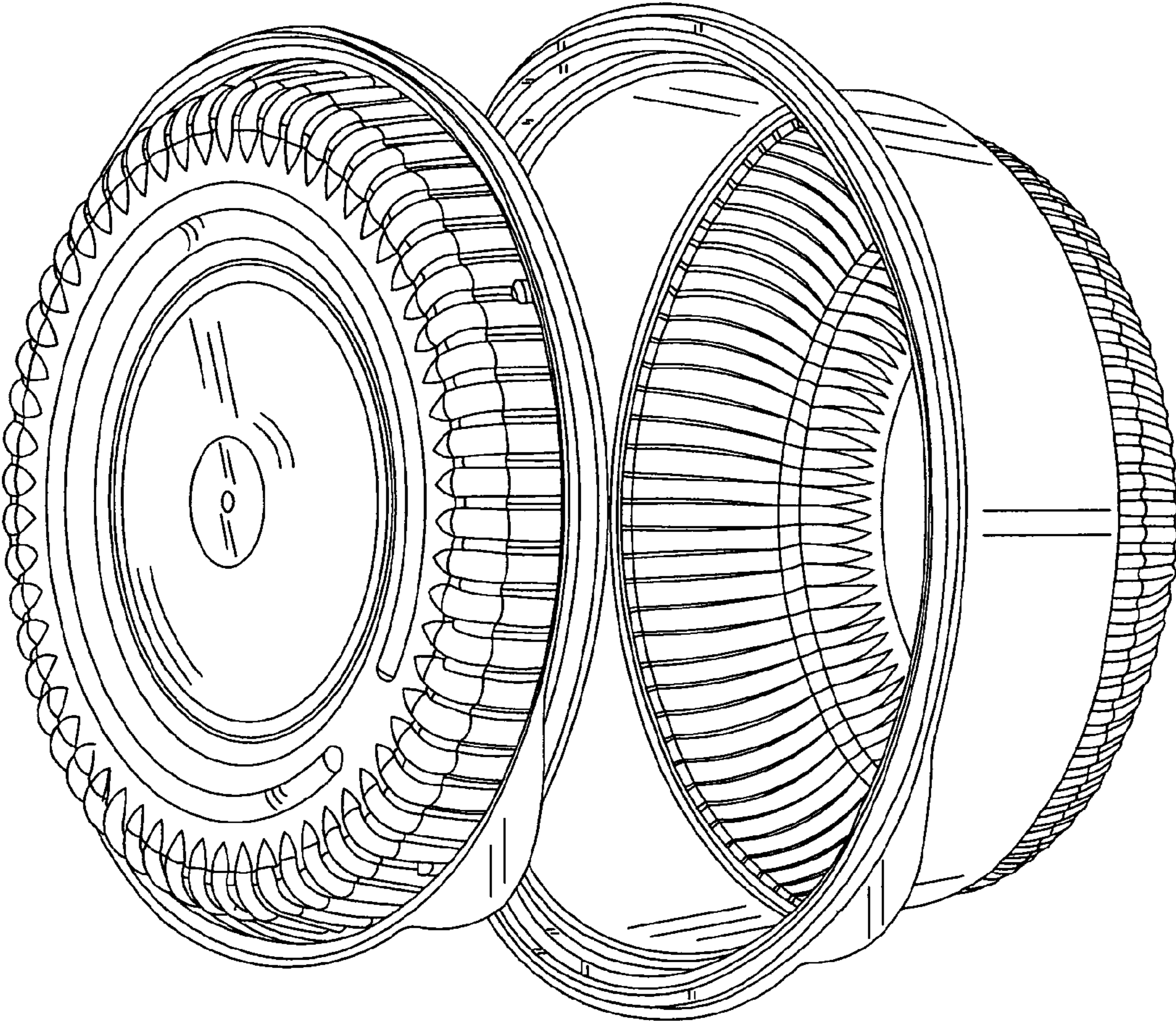


FIG. 8

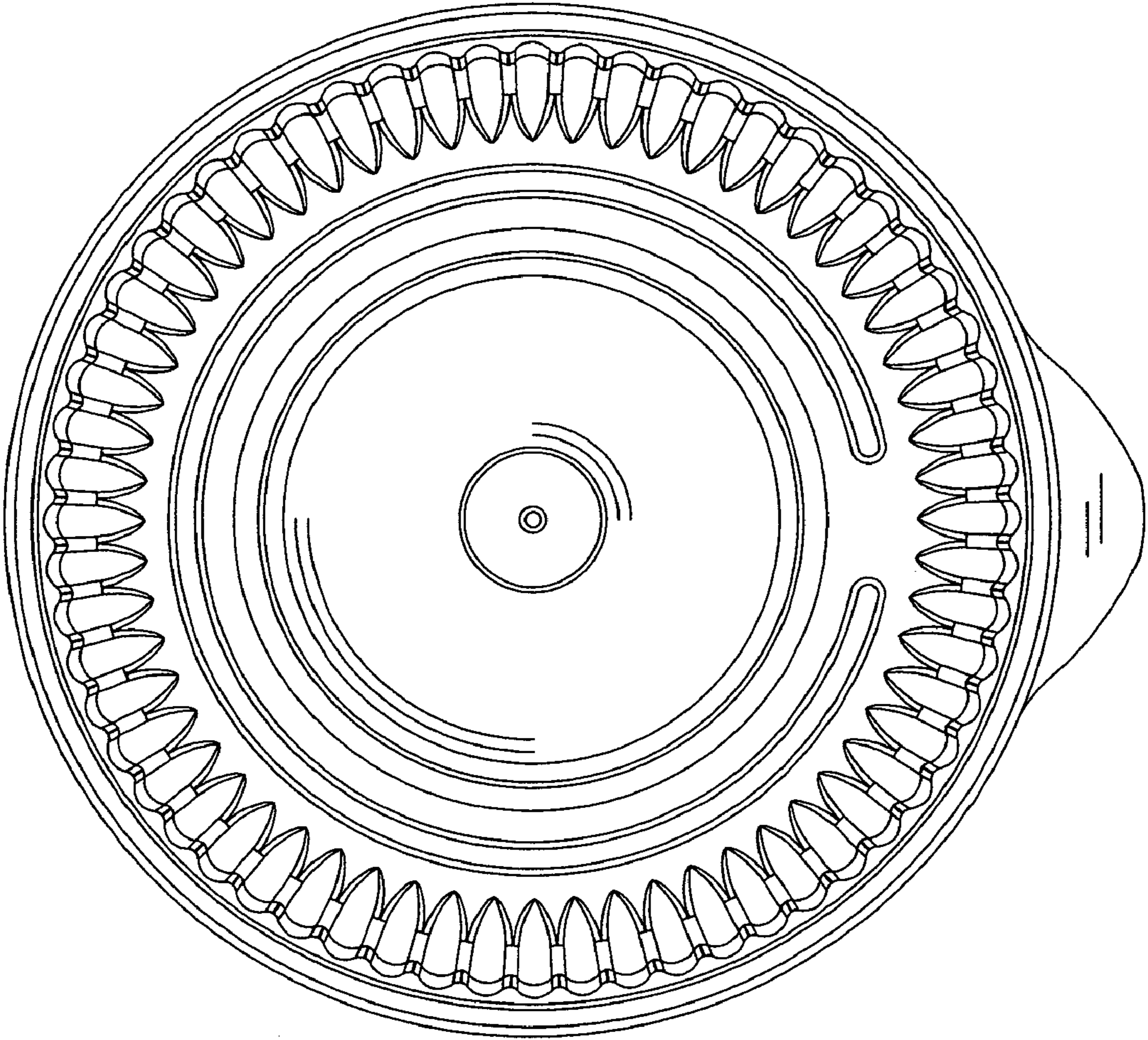


FIG. 9

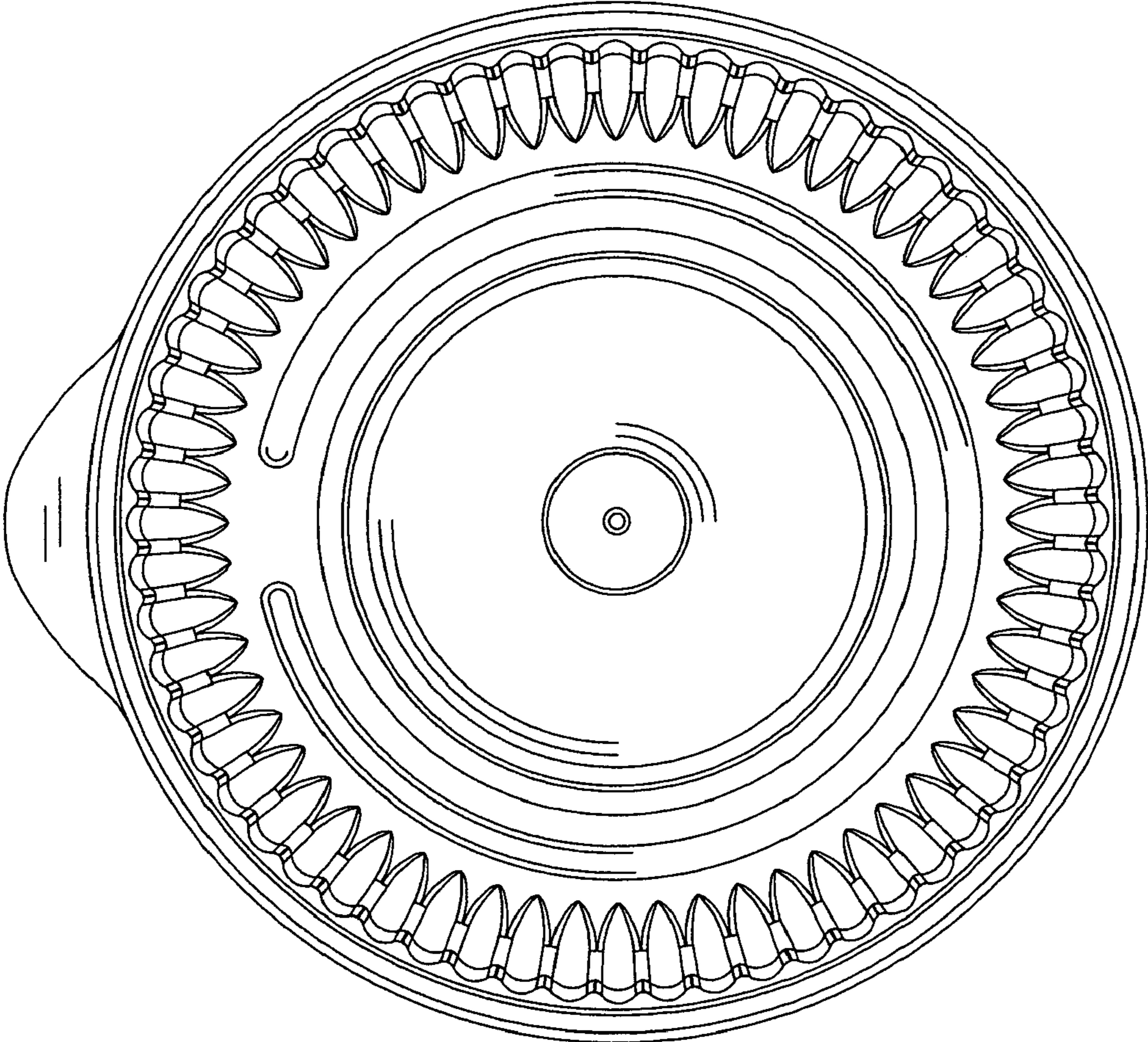


FIG. 10

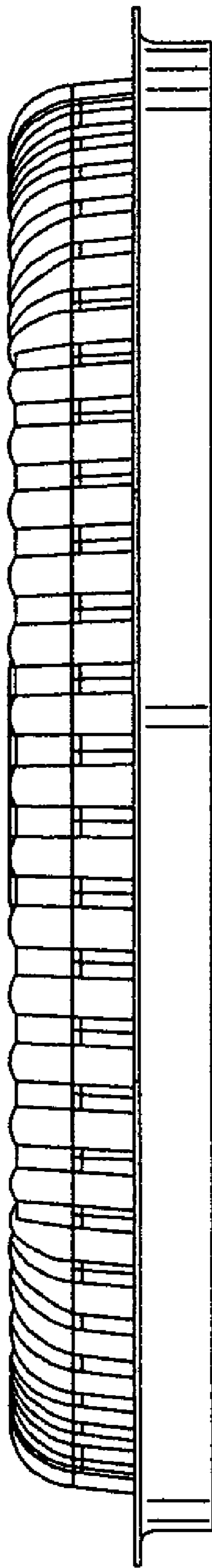


FIG. 11

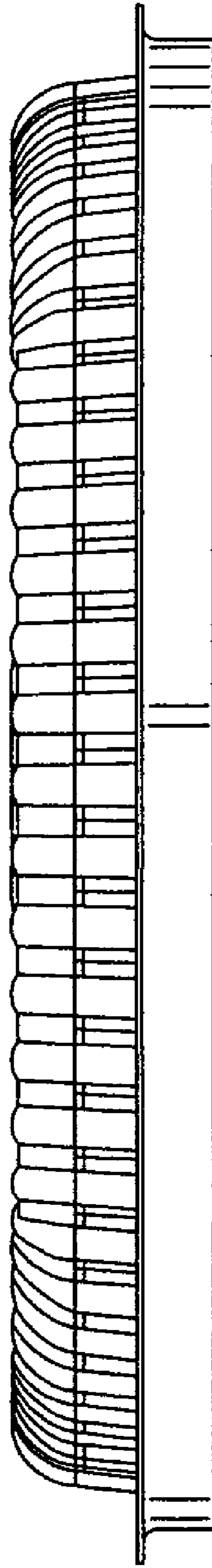


FIG. 12

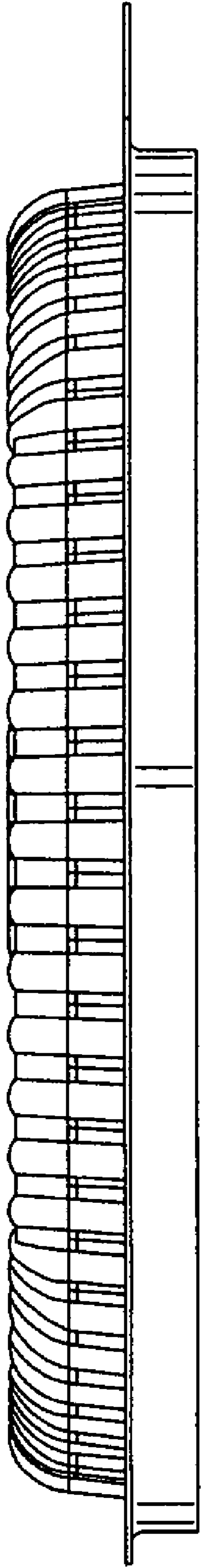


FIG. 13

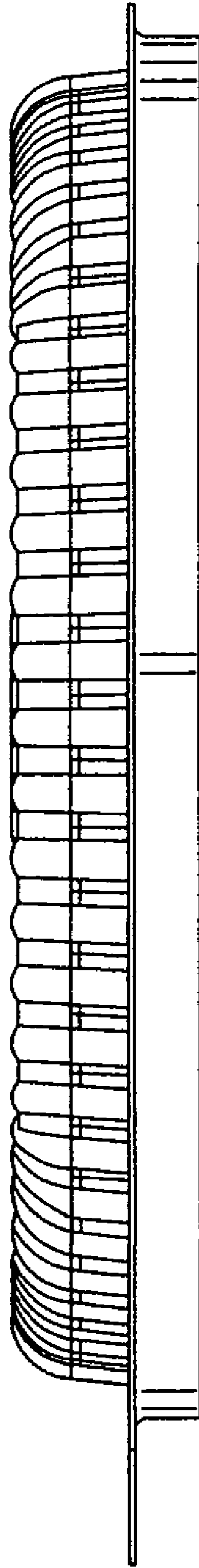


FIG. 14

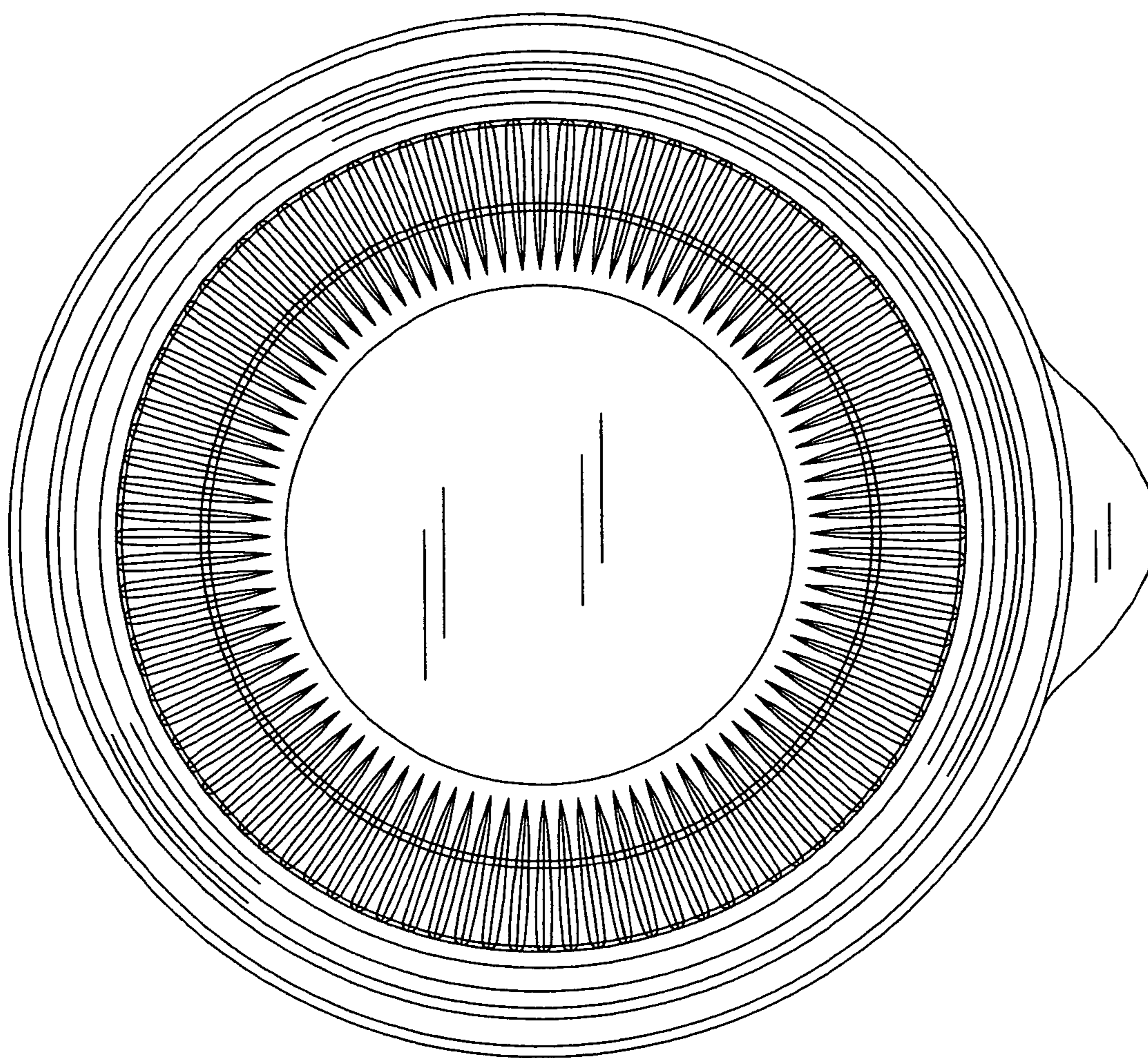


FIG. 15

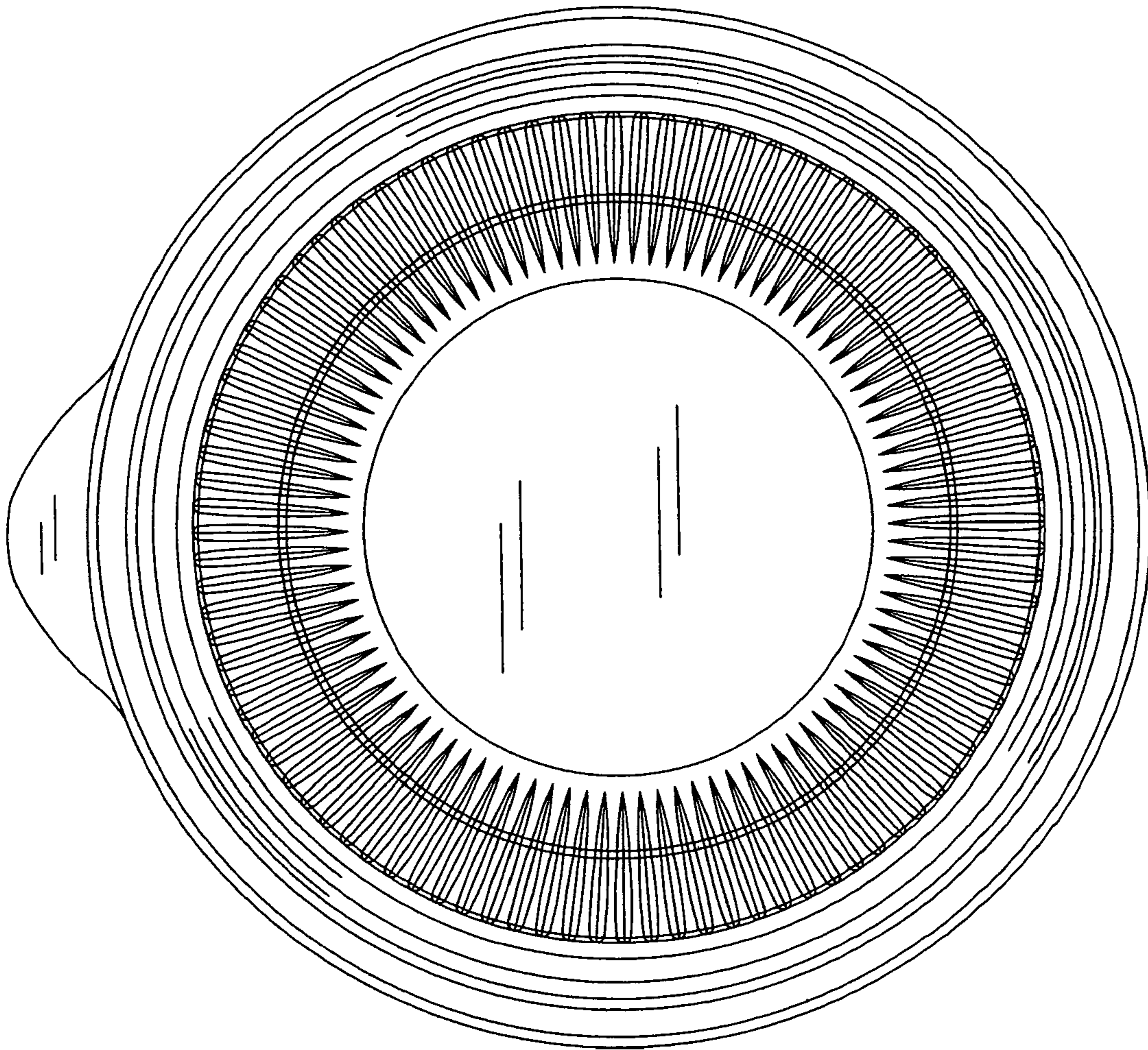


FIG. 16



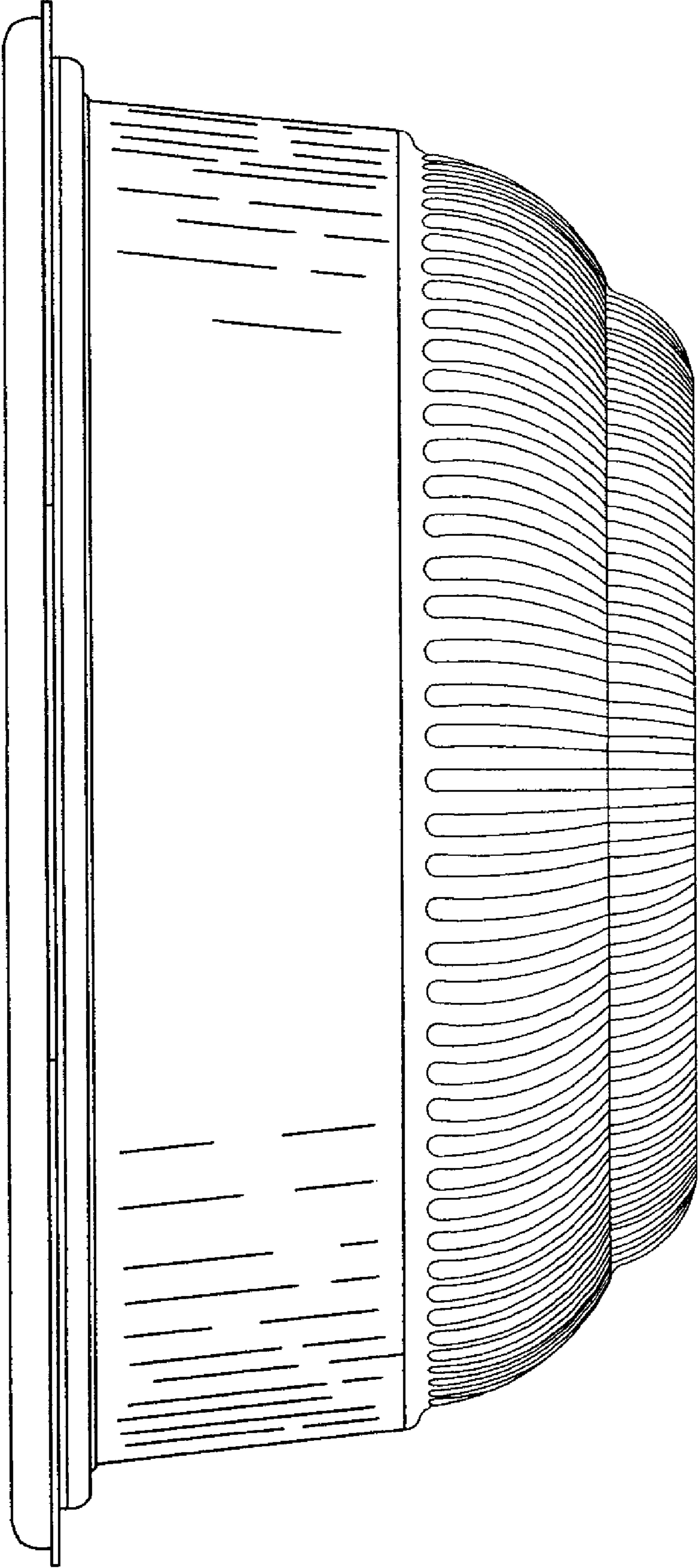


FIG. 17

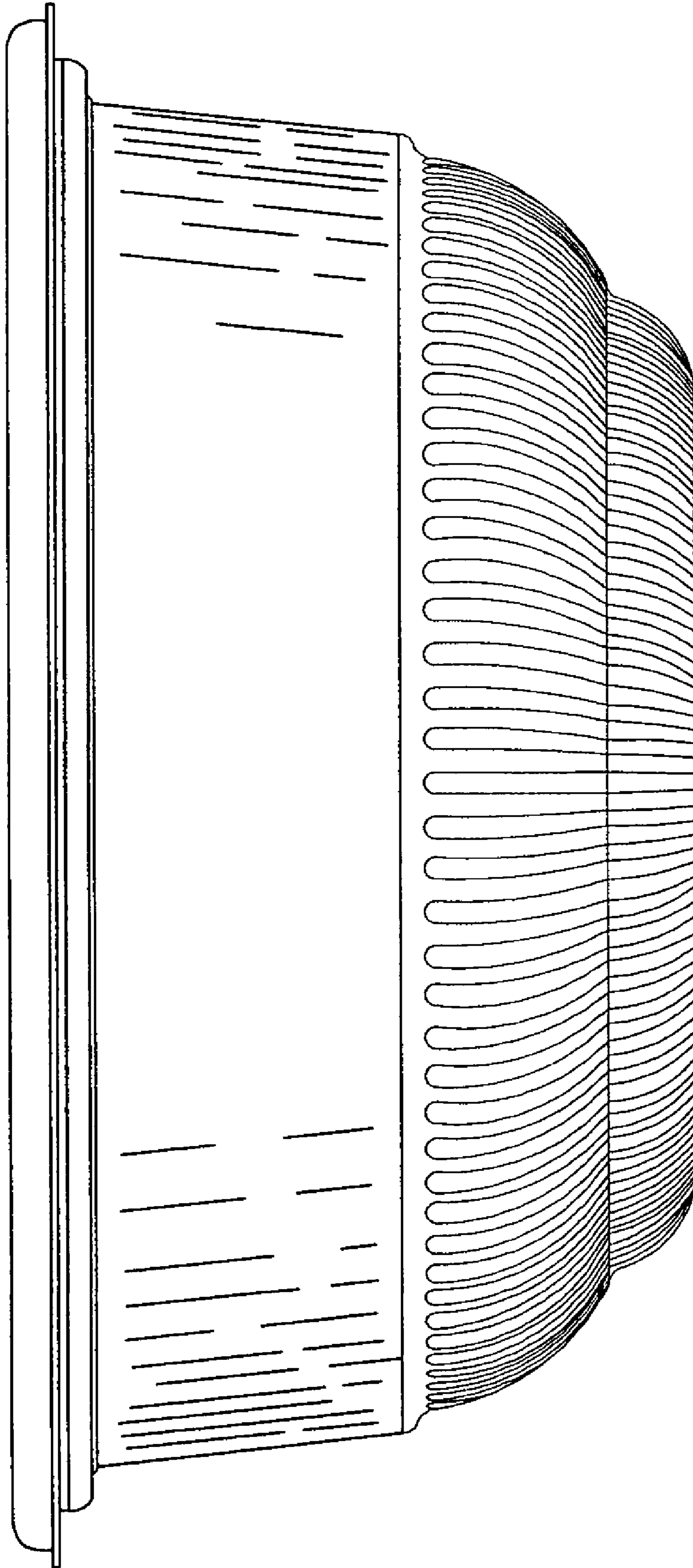


FIG. 18

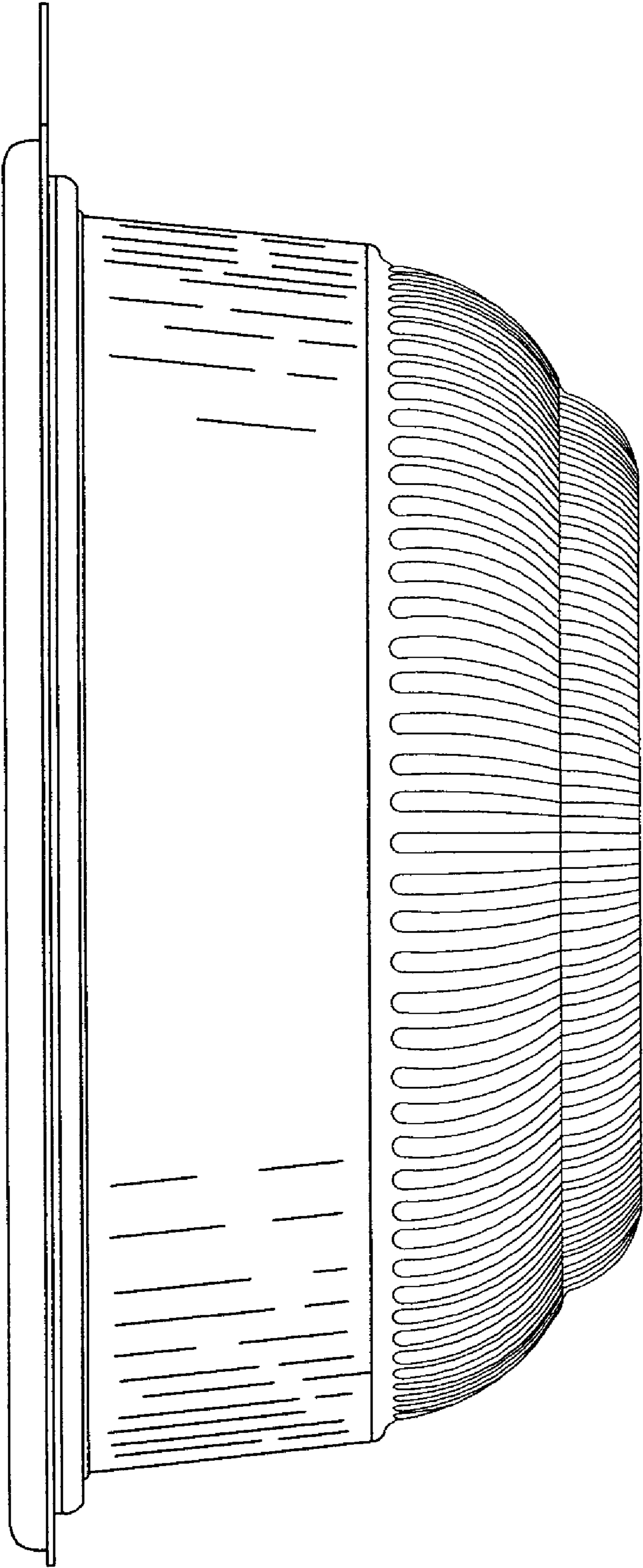


FIG. 19

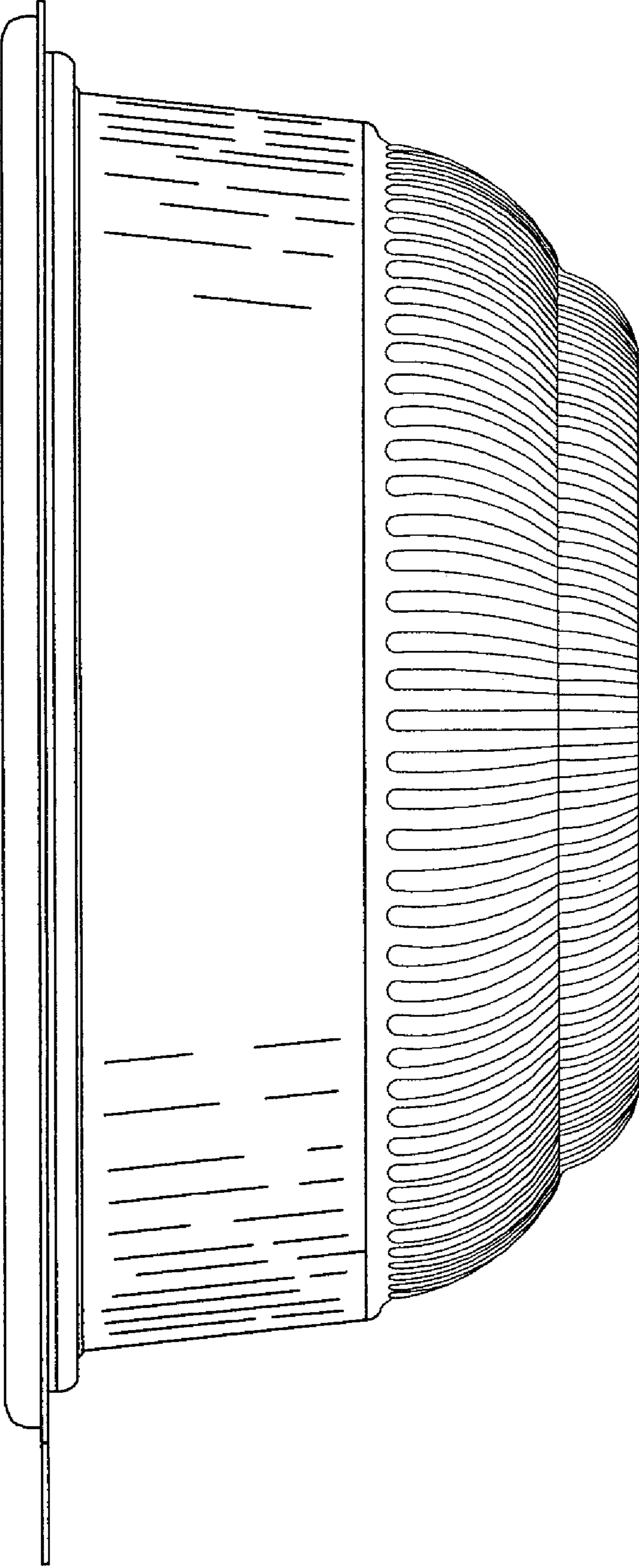


FIG. 20

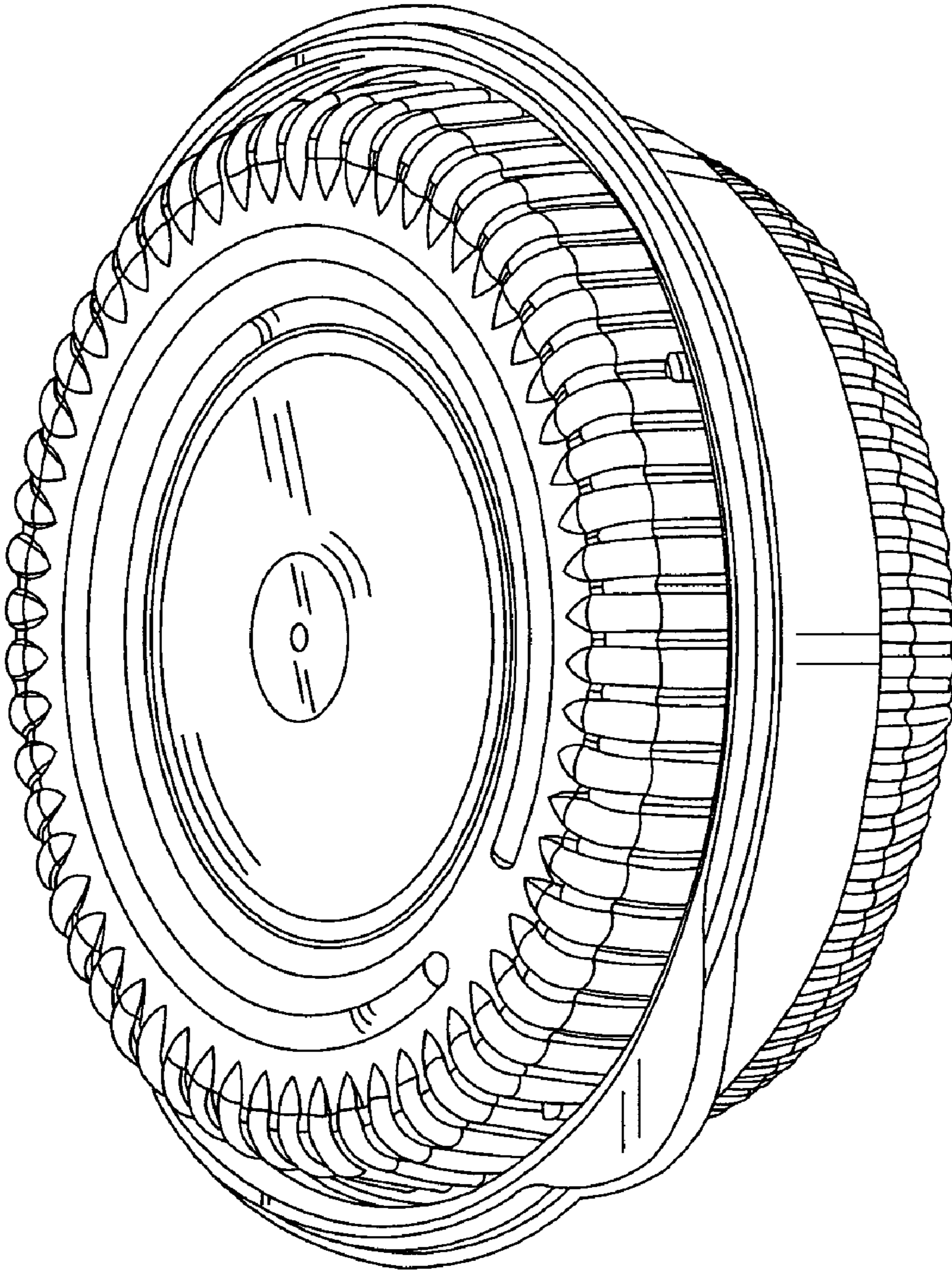


FIG. 21

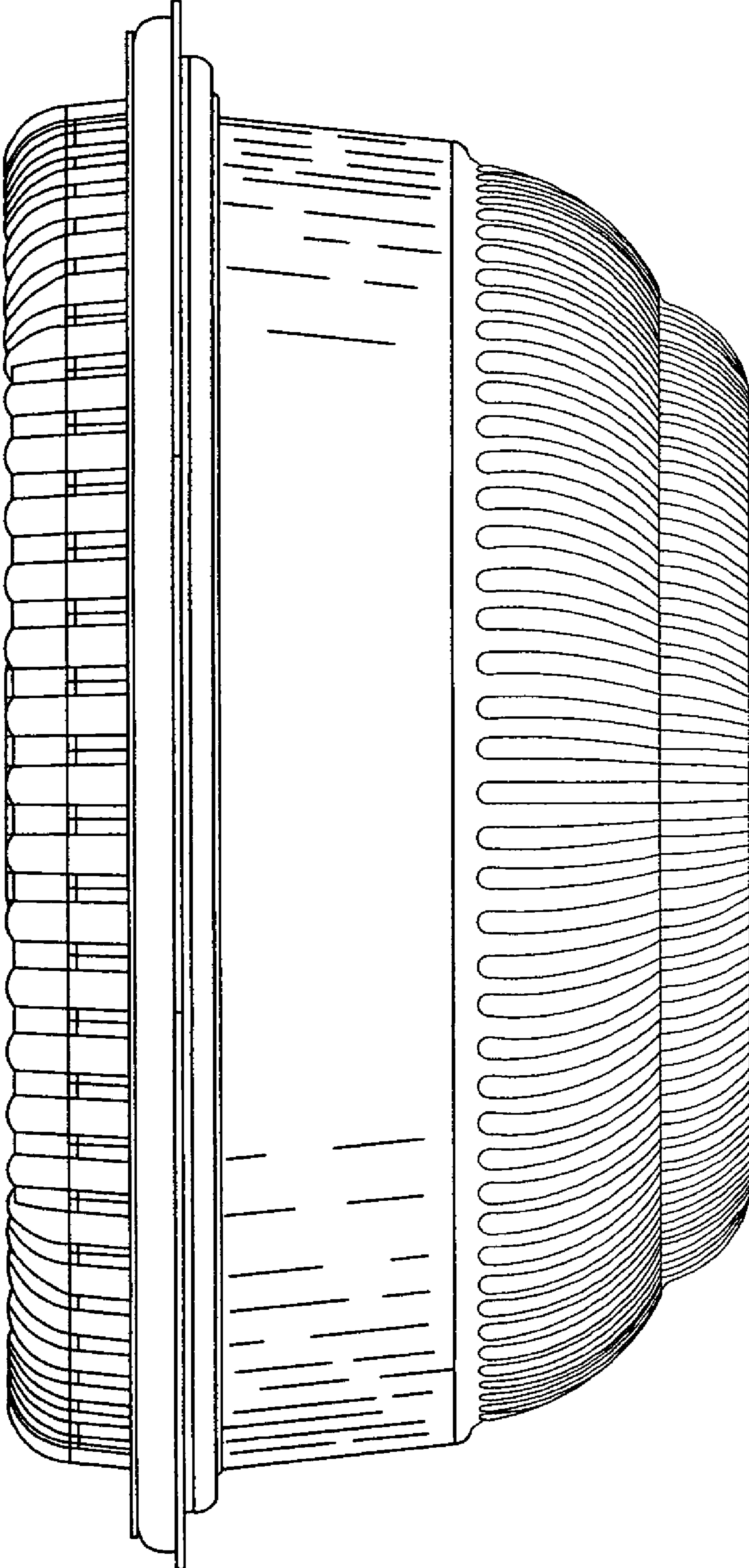


FIG. 22

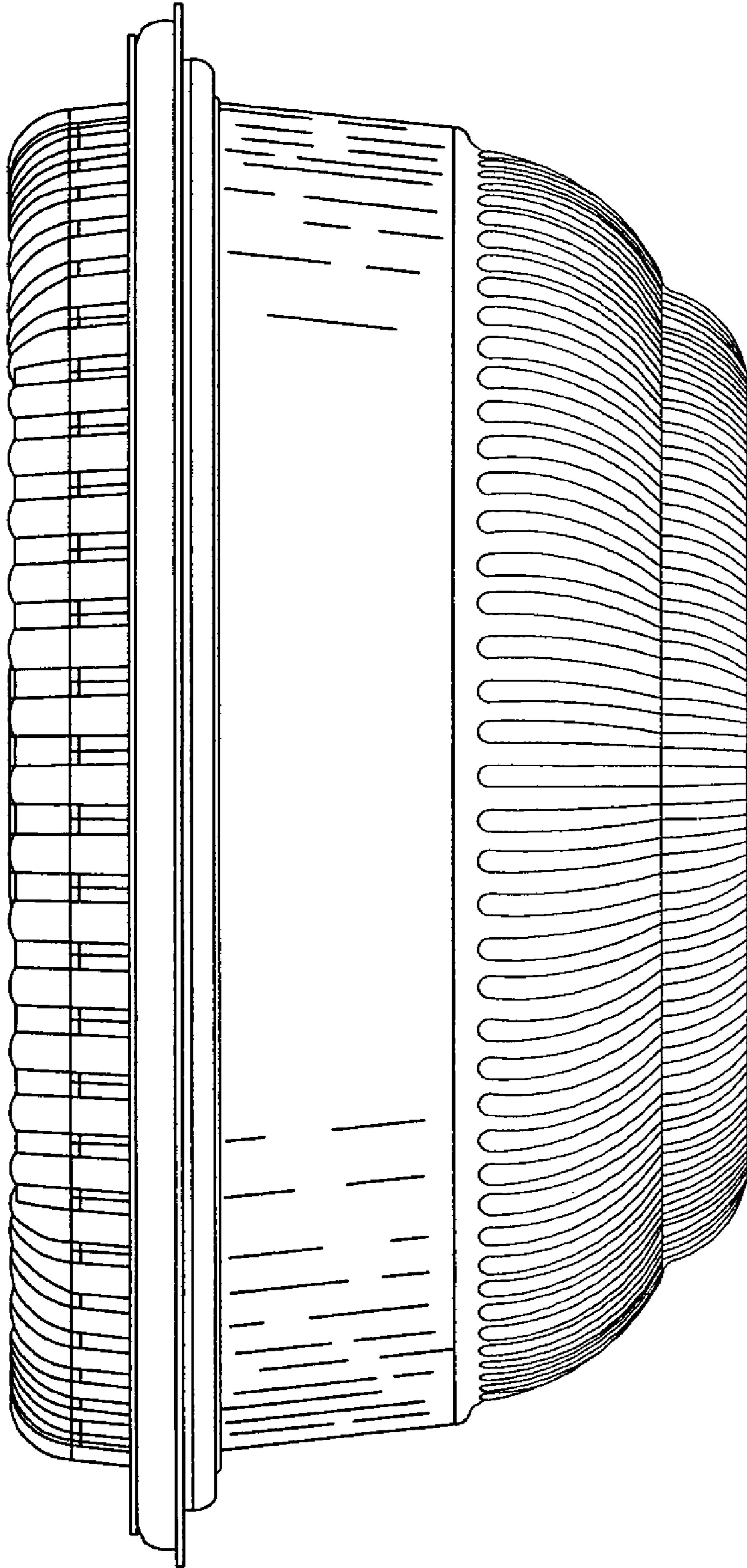


FIG. 23

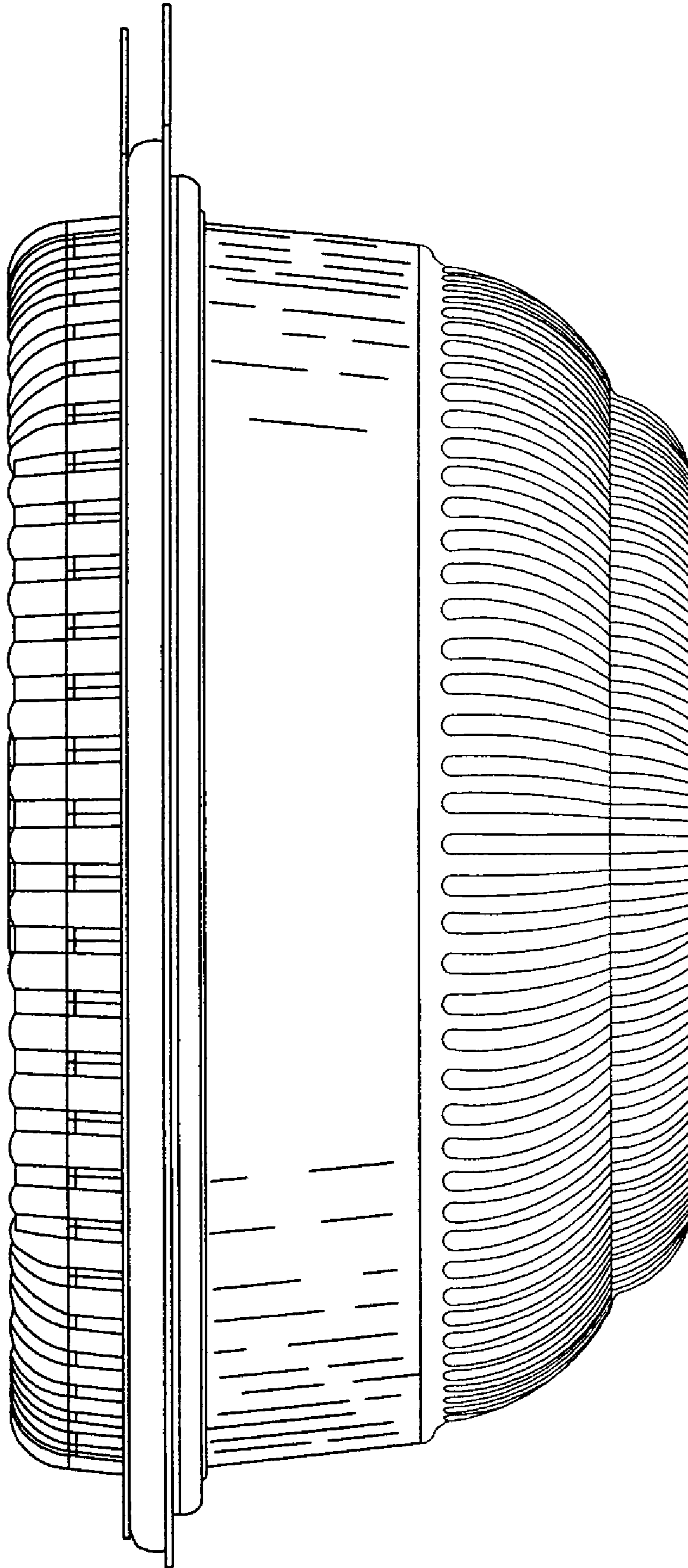


FIG. 24



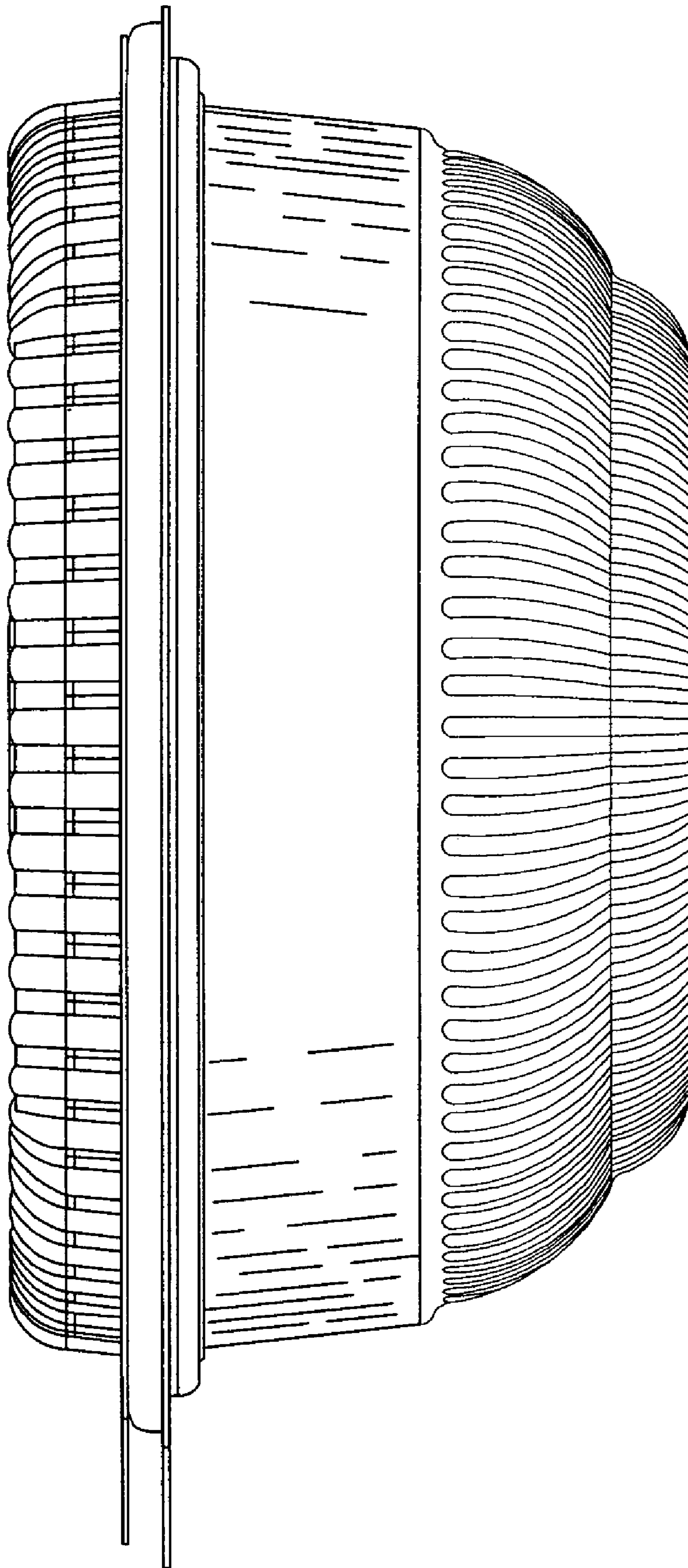


FIG. 25

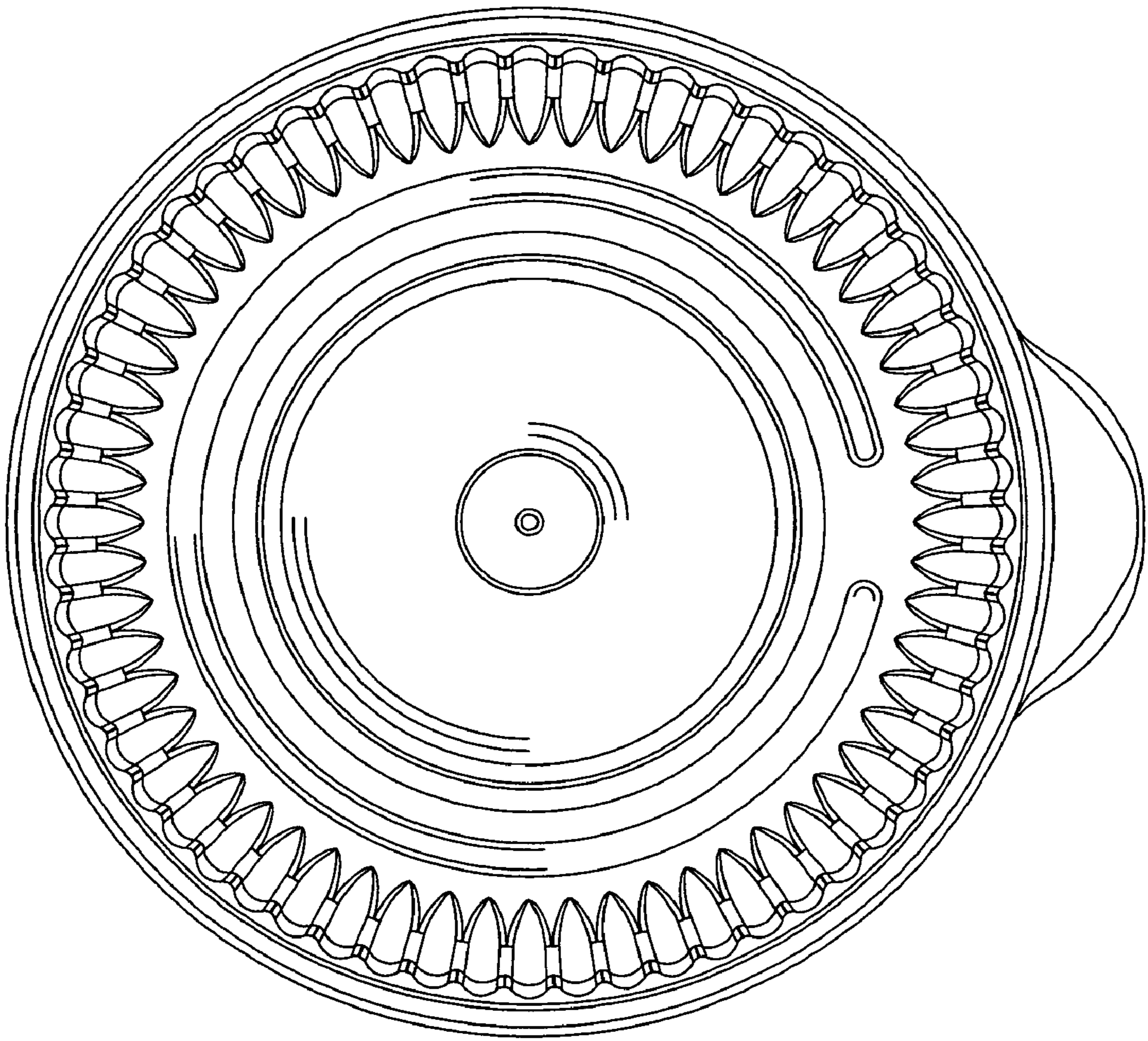


FIG. 26

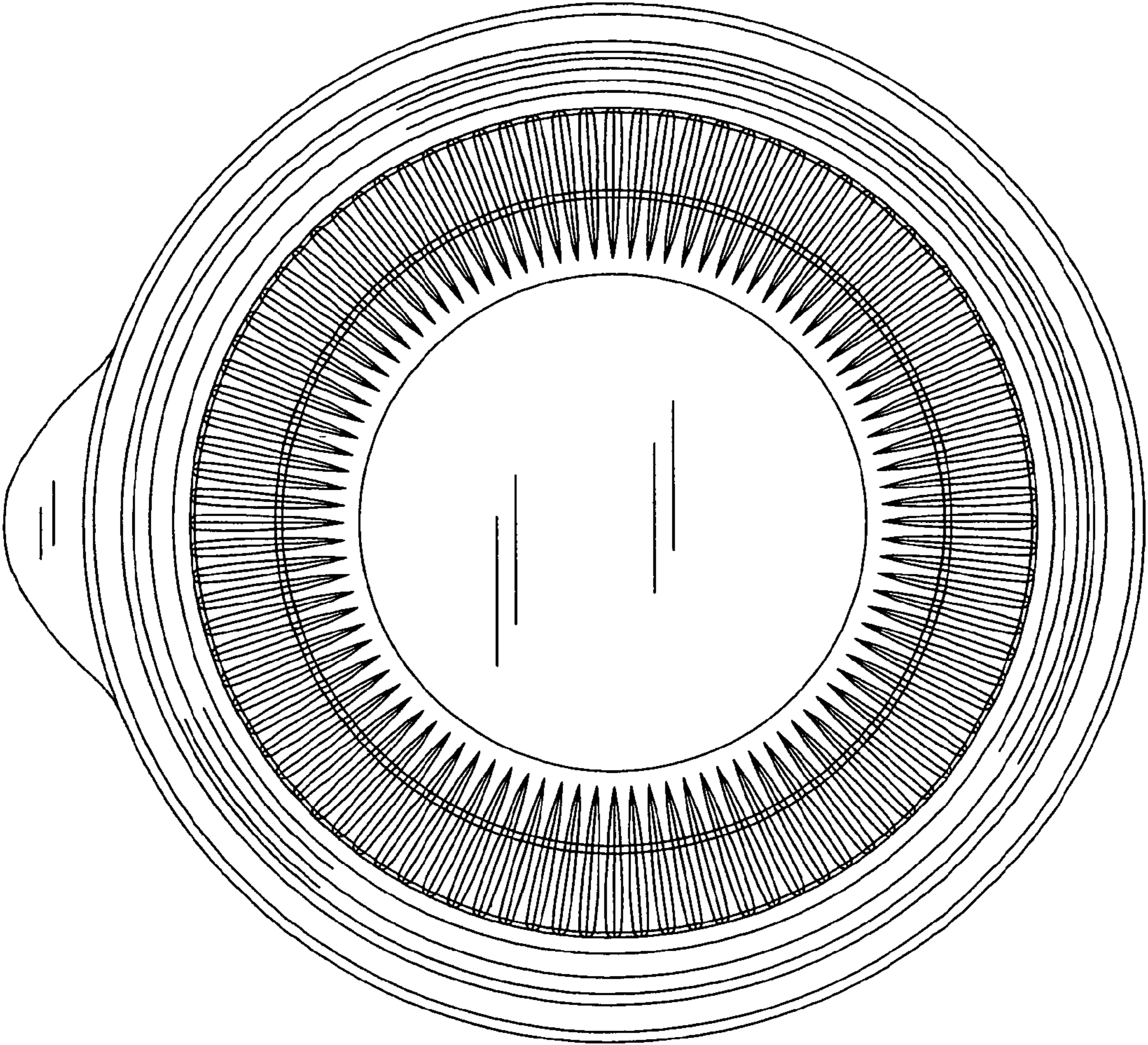


FIG. 27

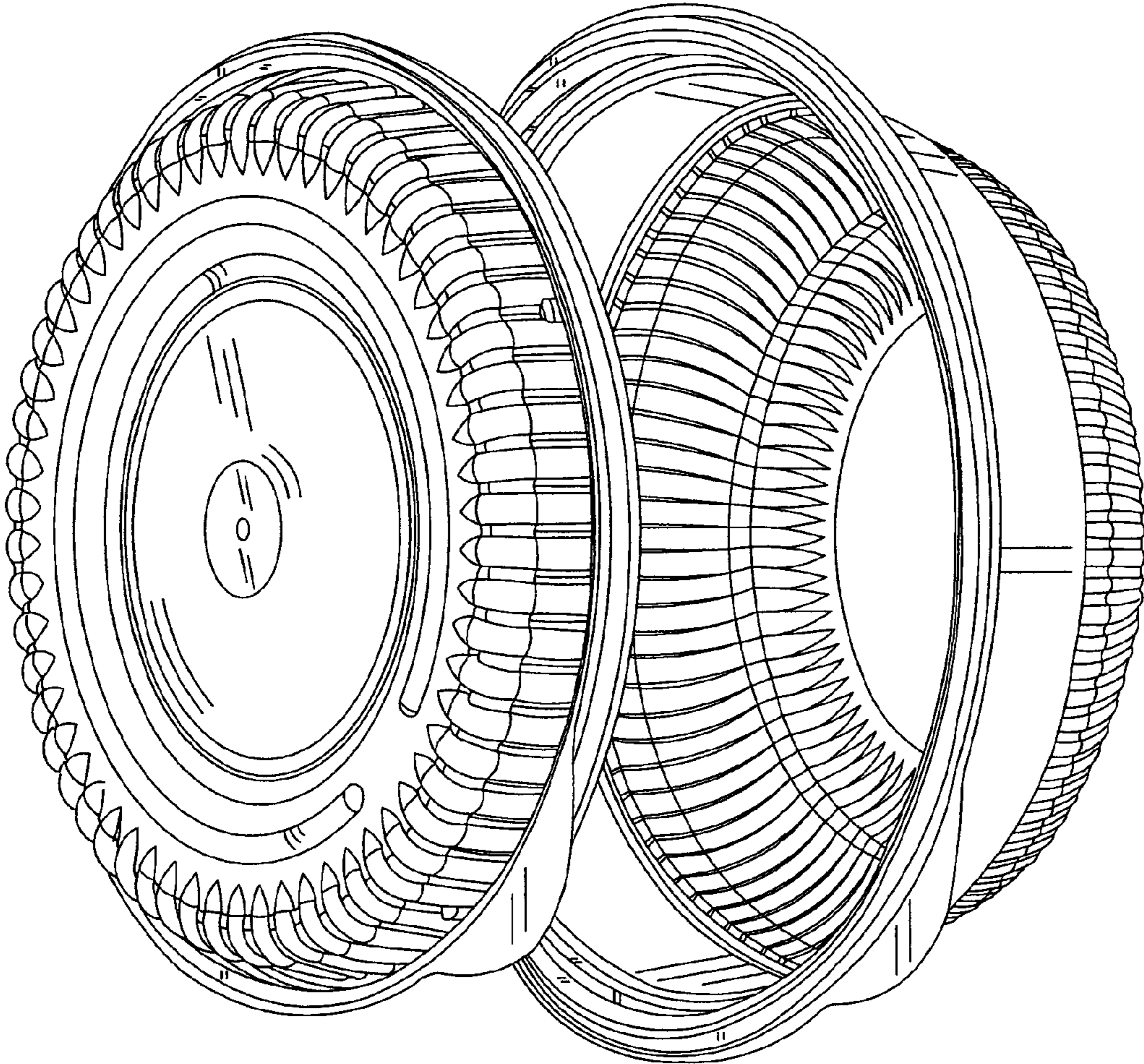


FIG. 28

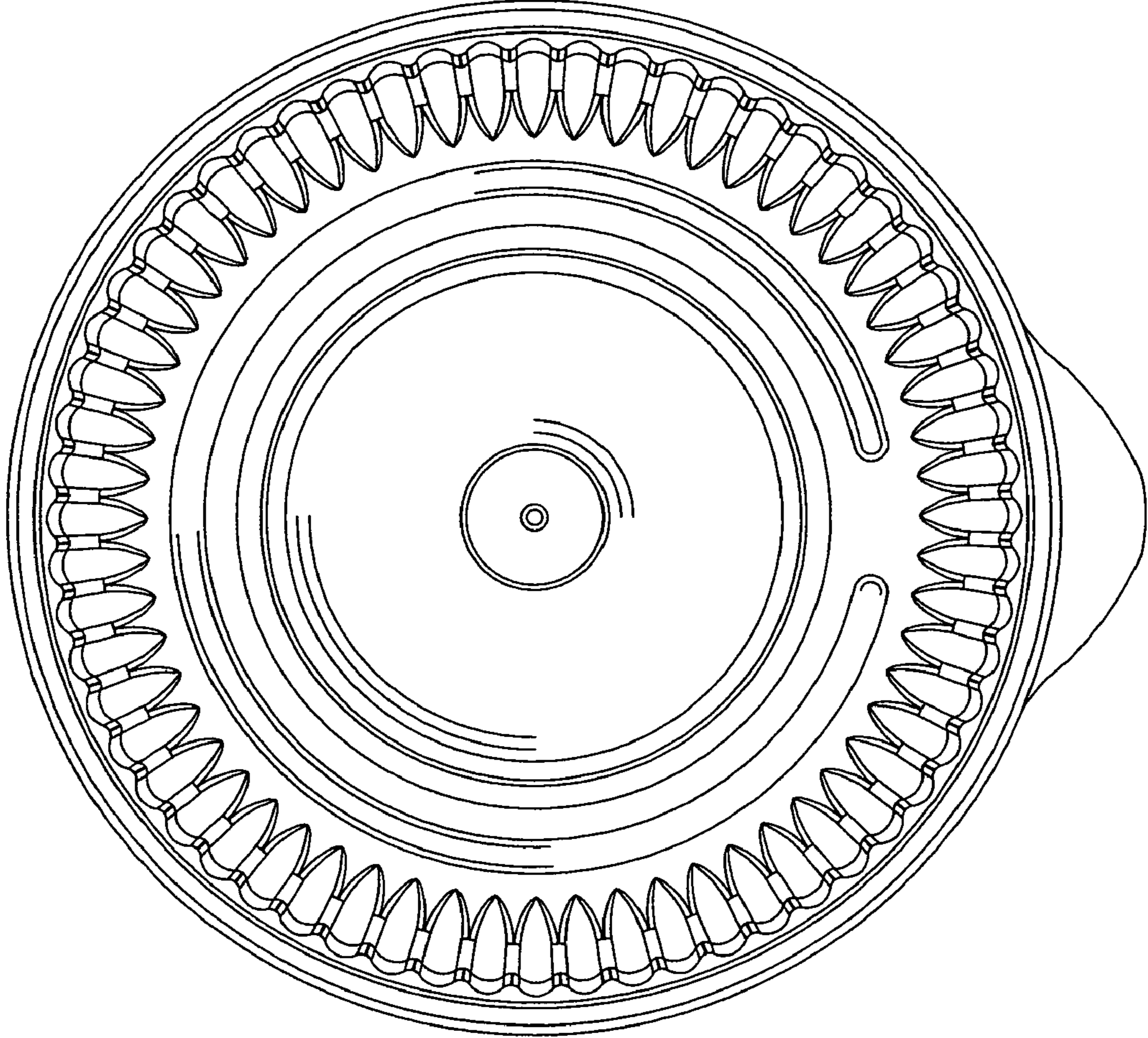


FIG. 29

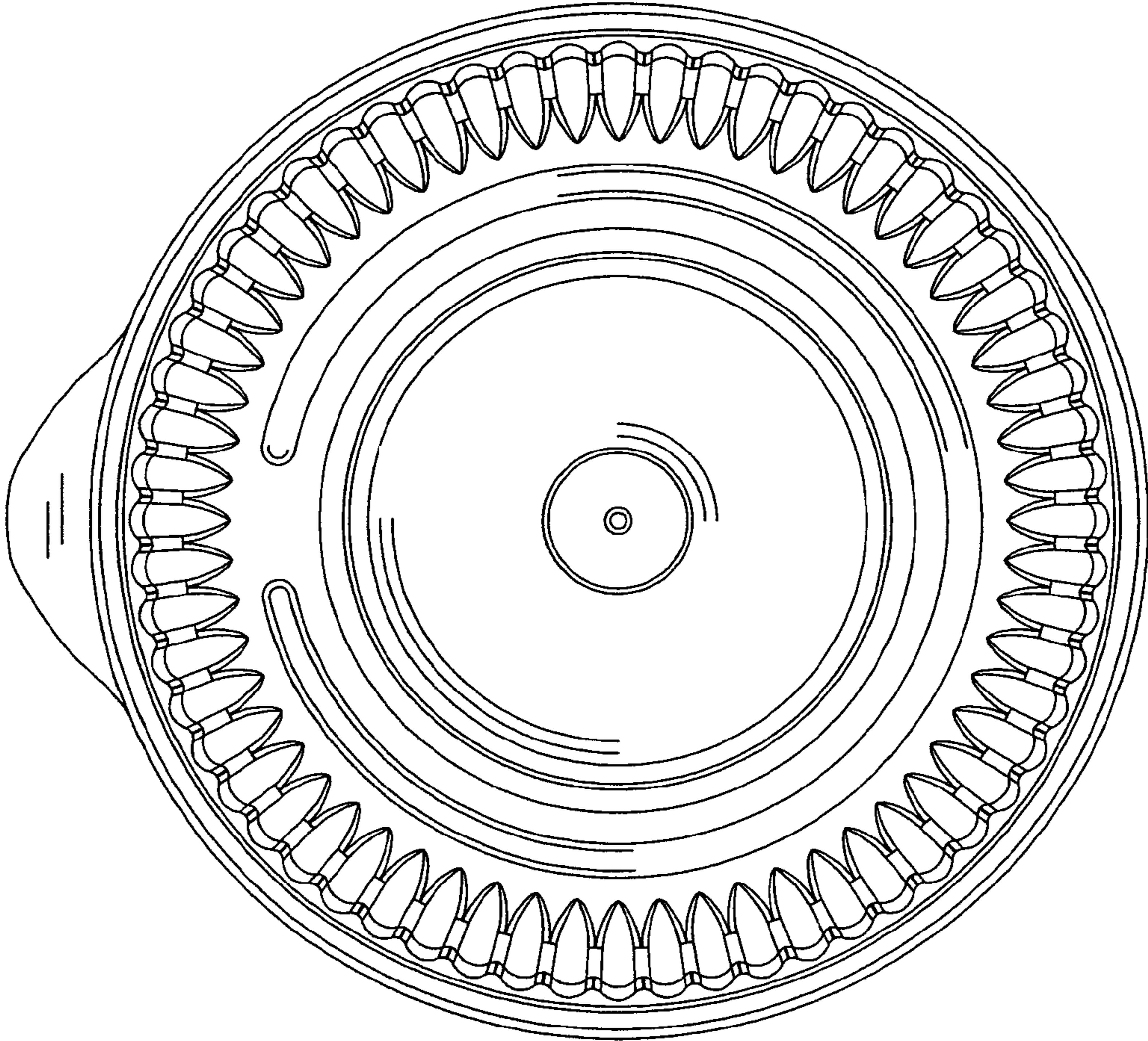


FIG. 30

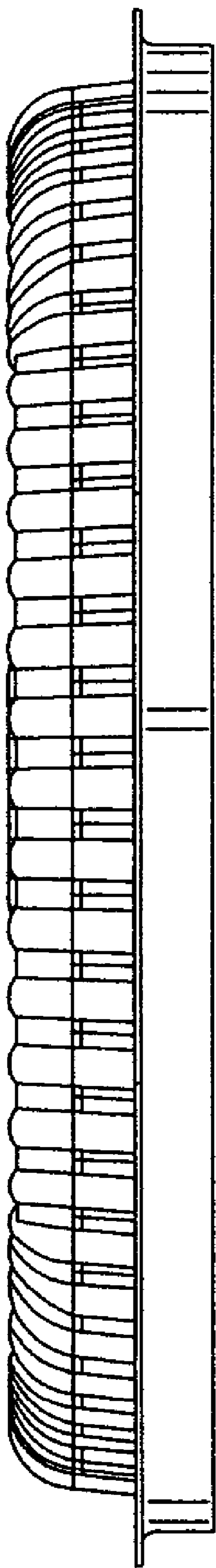


FIG. 31

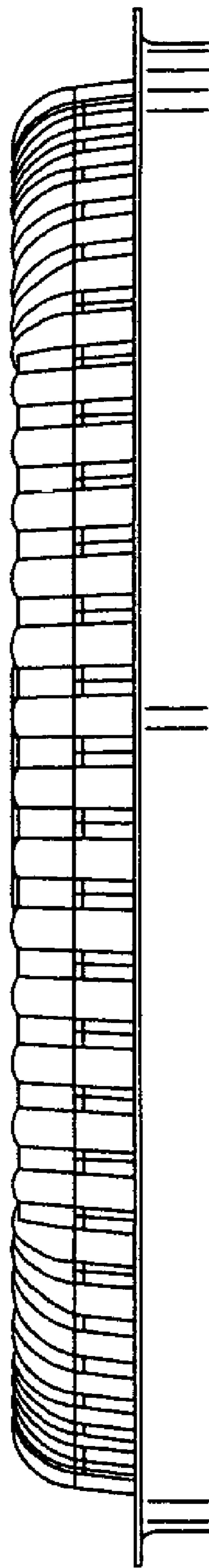


FIG. 32

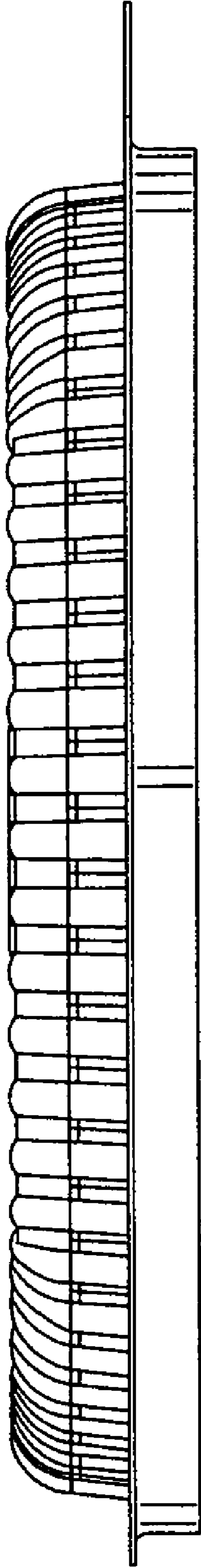


FIG. 33

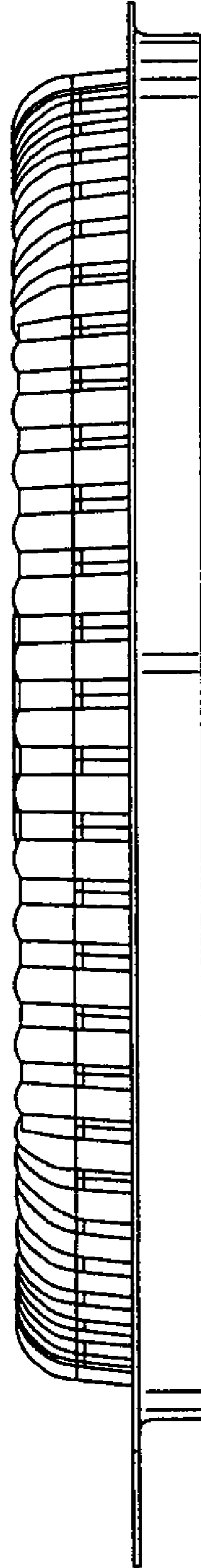


FIG. 34



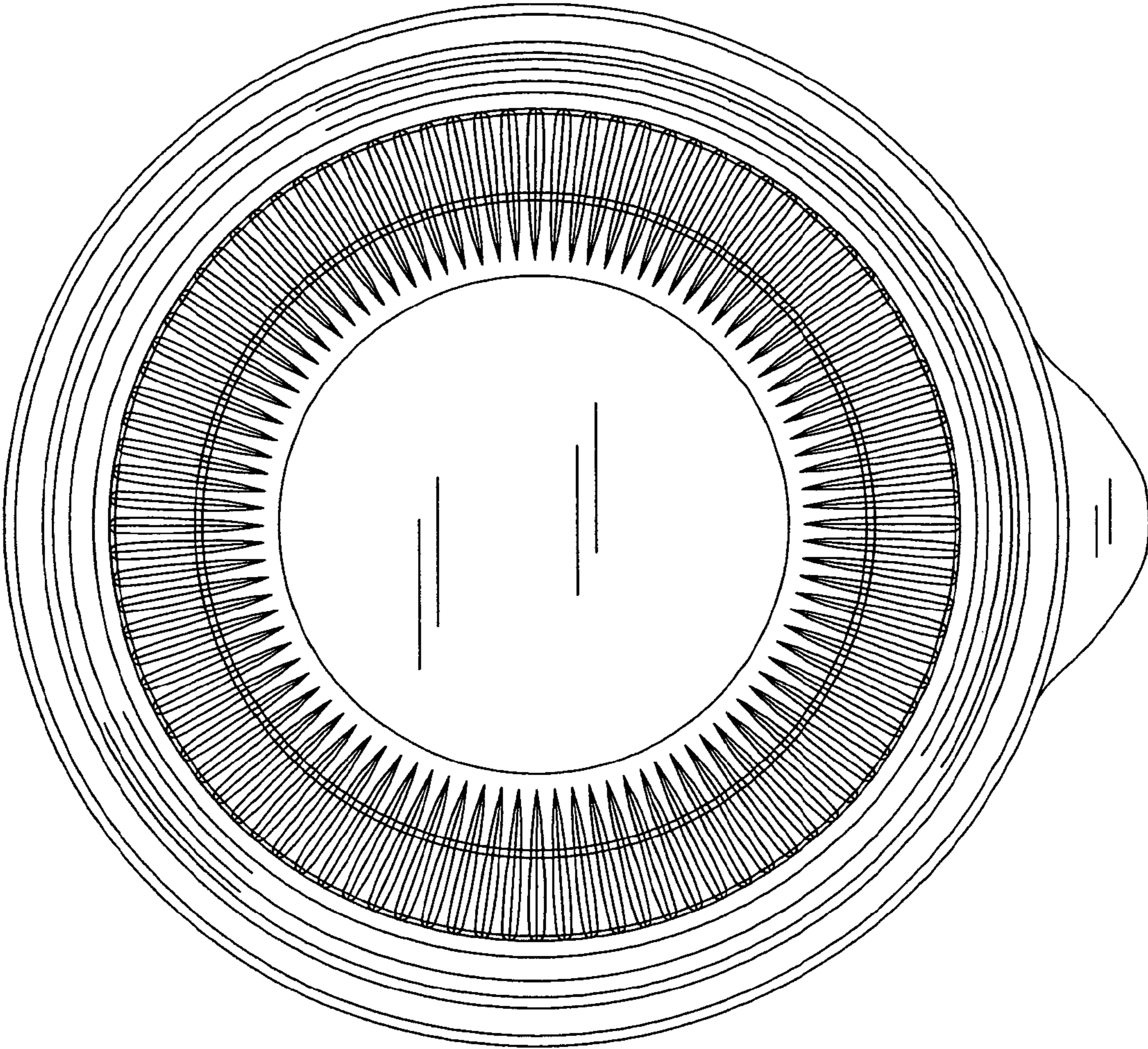


FIG. 35

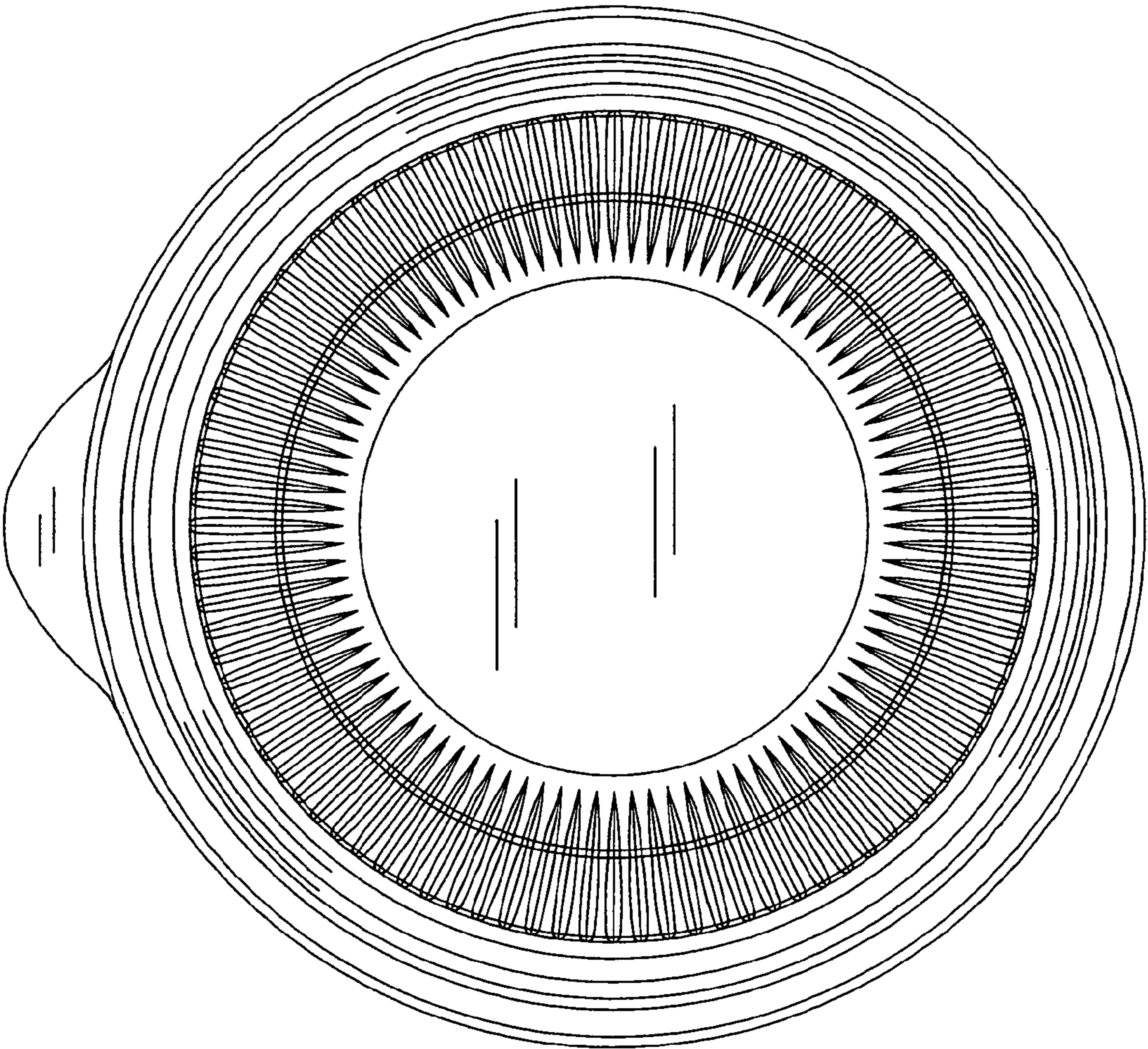


FIG. 36

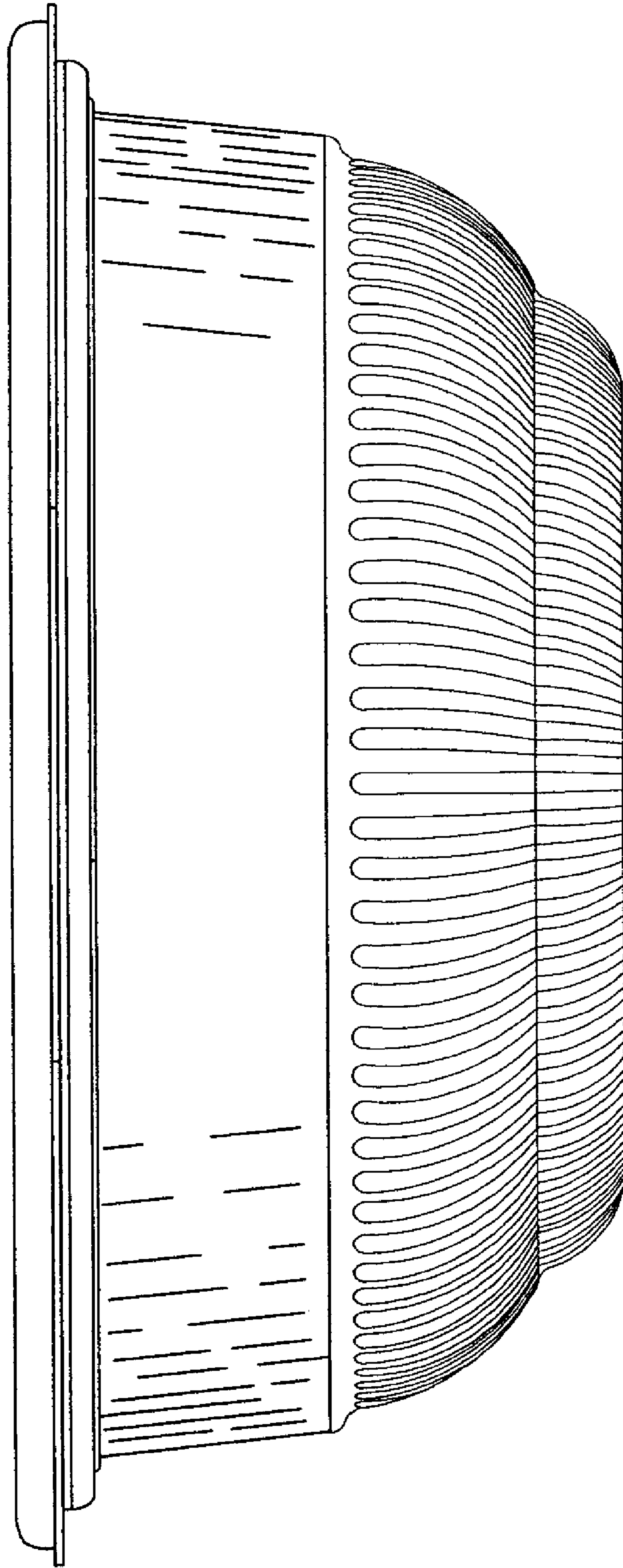


FIG. 37

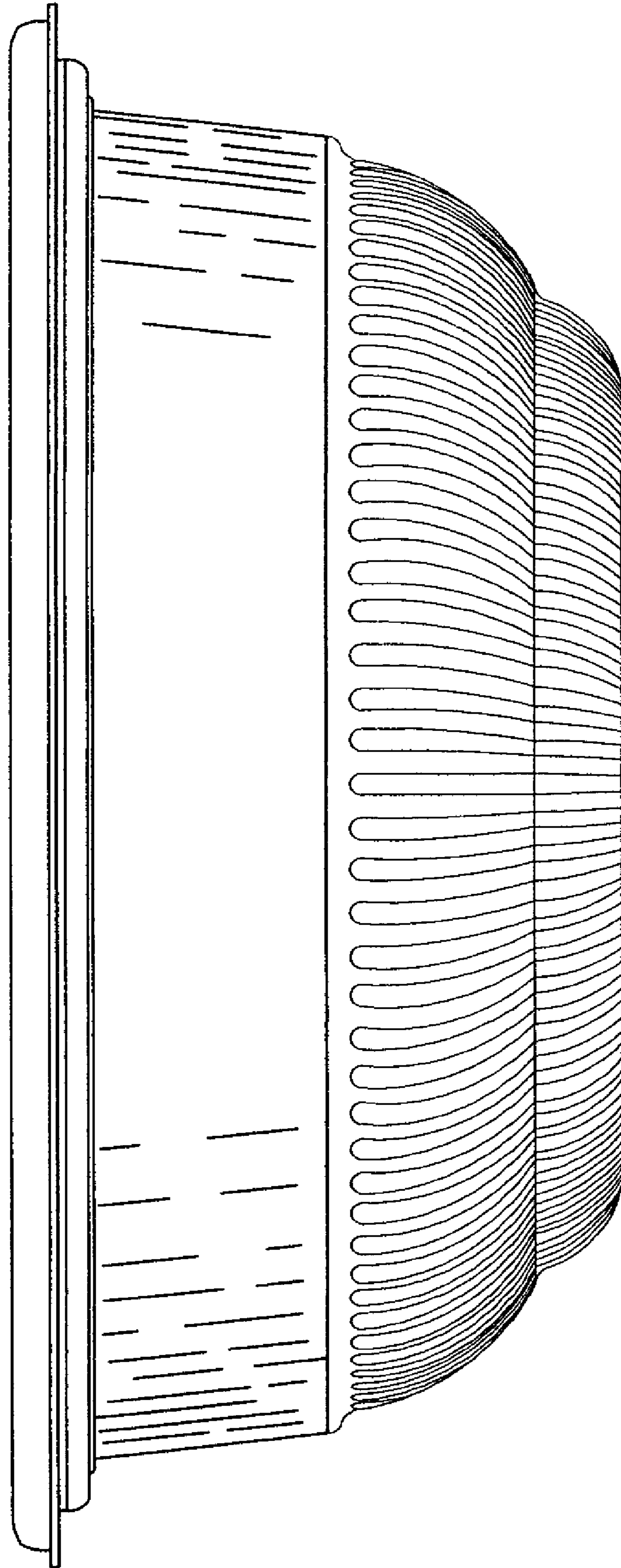


FIG. 38

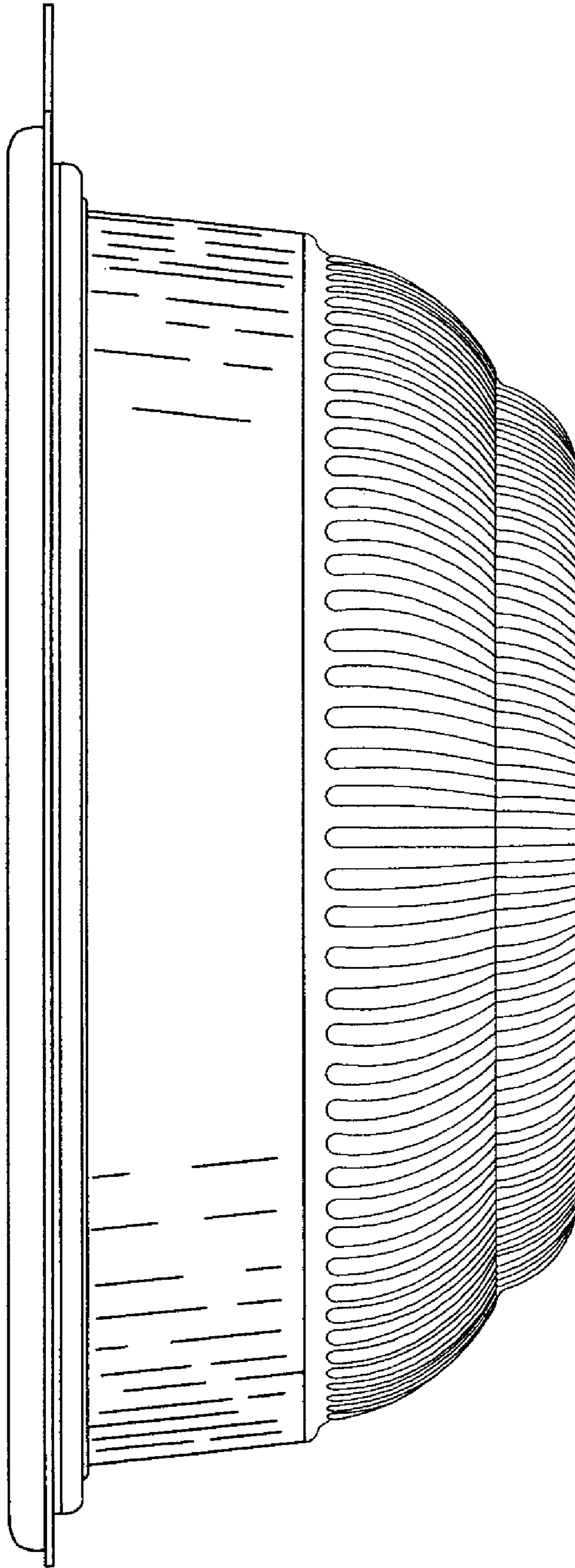


FIG. 39

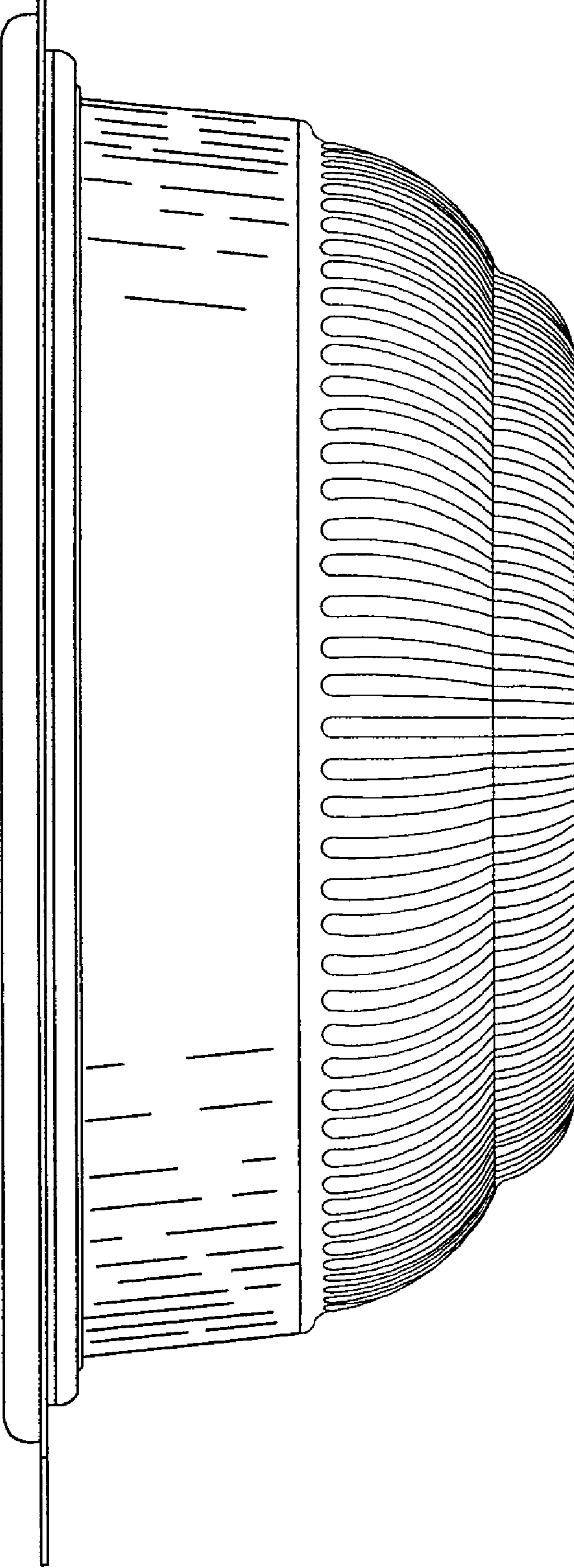


FIG. 40