



US00D597789S

(12) **United States Design Patent**
McDonald

(10) **Patent No.:** **US D597,789 S**

(45) **Date of Patent:** **** Aug. 11, 2009**

(54) **DISPENSING SPOUT**

(76) Inventor: **Michael McDonald**, 3 Nita St., East
Northport, NY (US) 11731

(**) Term: **14 Years**

(21) Appl. No.: **29/309,090**

(22) Filed: **Jun. 20, 2008**

Related U.S. Application Data

(63) Continuation-in-part of application No. 12/071,736,
filed on Feb. 26, 2008, which is a continuation-in-part
of application No. 29/236,621, filed on Aug. 19, 2005,
now Pat. No. Des. 566,461.

(51) **LOC (9) Cl.** **07-01**

(52) **U.S. Cl.** **D7/398; D7/397; D9/441**

(58) **Field of Classification Search** D7/300.2,
D7/301-302, 306-308, 313, 395-398, 387,
D7/392, 632, 901; D9/451, 441, 440, 435;
D23/207, 213-216, 220, 233, 238, 242, 249,
D23/252, 255, 262, 270, 567, 571, 572; 222/478,
222/481, 566

See application file for complete search history.

(56) **References Cited**

U.S. PATENT DOCUMENTS

D241,496 S * 9/1976 Grode D7/594
D289,610 S * 5/1987 Neyer D9/632
D327,817 S * 7/1992 Paullin D7/515
D330,857 S * 11/1992 Kidd D9/451
D349,630 S * 8/1994 Redmon D7/606
D379,023 S * 4/1997 August D99/37

D379,149 S * 5/1997 Powell et al. D9/451
D416,799 S * 11/1999 Adams D9/451
D419,449 S * 1/2000 Adams D9/451
D419,880 S * 2/2000 Adams D9/451
D471,060 S * 3/2003 Salsman D7/392.1
D493,709 S * 8/2004 Tamez D9/632
D507,181 S * 7/2005 Malik D9/451
D535,157 S * 1/2007 Hoehne D7/628
D562,627 S * 2/2008 McDonald D7/398
D574,760 S * 8/2008 Thigpen D12/162
D583,231 S * 12/2008 Koehnke D9/441
D586,063 S * 2/2009 Wolford et al. D34/4
D586,621 S * 2/2009 Thompson D7/515

* cited by examiner

Primary Examiner—Robert M Spear

Assistant Examiner—Cynthia Underwood

(57) **CLAIM**

The ornamental design for a dispensing spout, as shown and described.

DESCRIPTION

FIG. 1 is a perspective view of the dispensing spout;

FIG. 2 is a front view of the dispensing spout;

FIG. 3 is a right view of the dispensing spout, the left side view being a mirror image of the right side; and

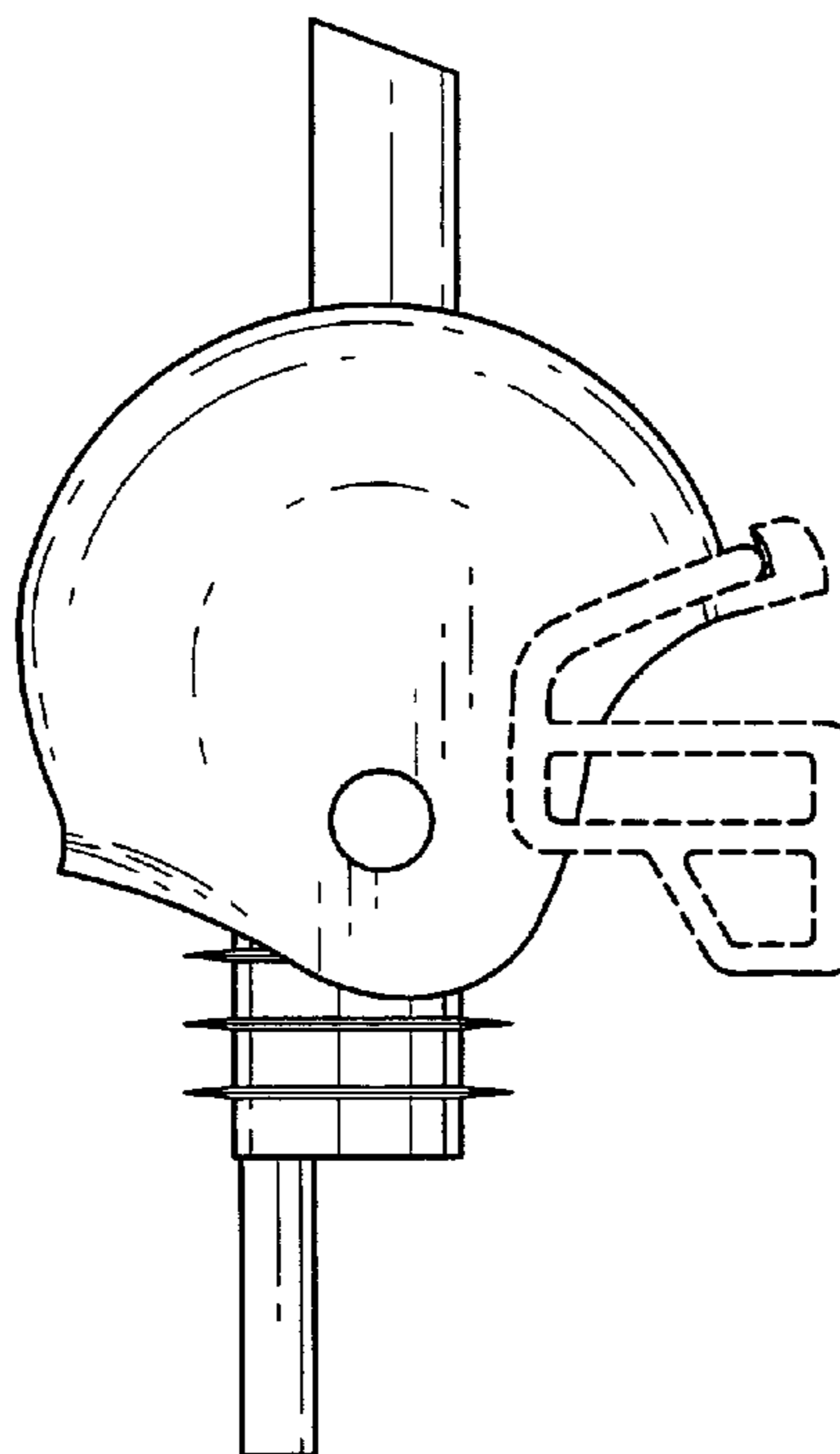
FIG. 4 is a back view of the dispensing spout;

FIG. 5 is a bottom view of the dispensing spout; and,

FIG. 6 is a top view of the dispensing spout.

The broken lines are for illustrative purposes only and form no part of the claimed design.

1 Claim, 2 Drawing Sheets



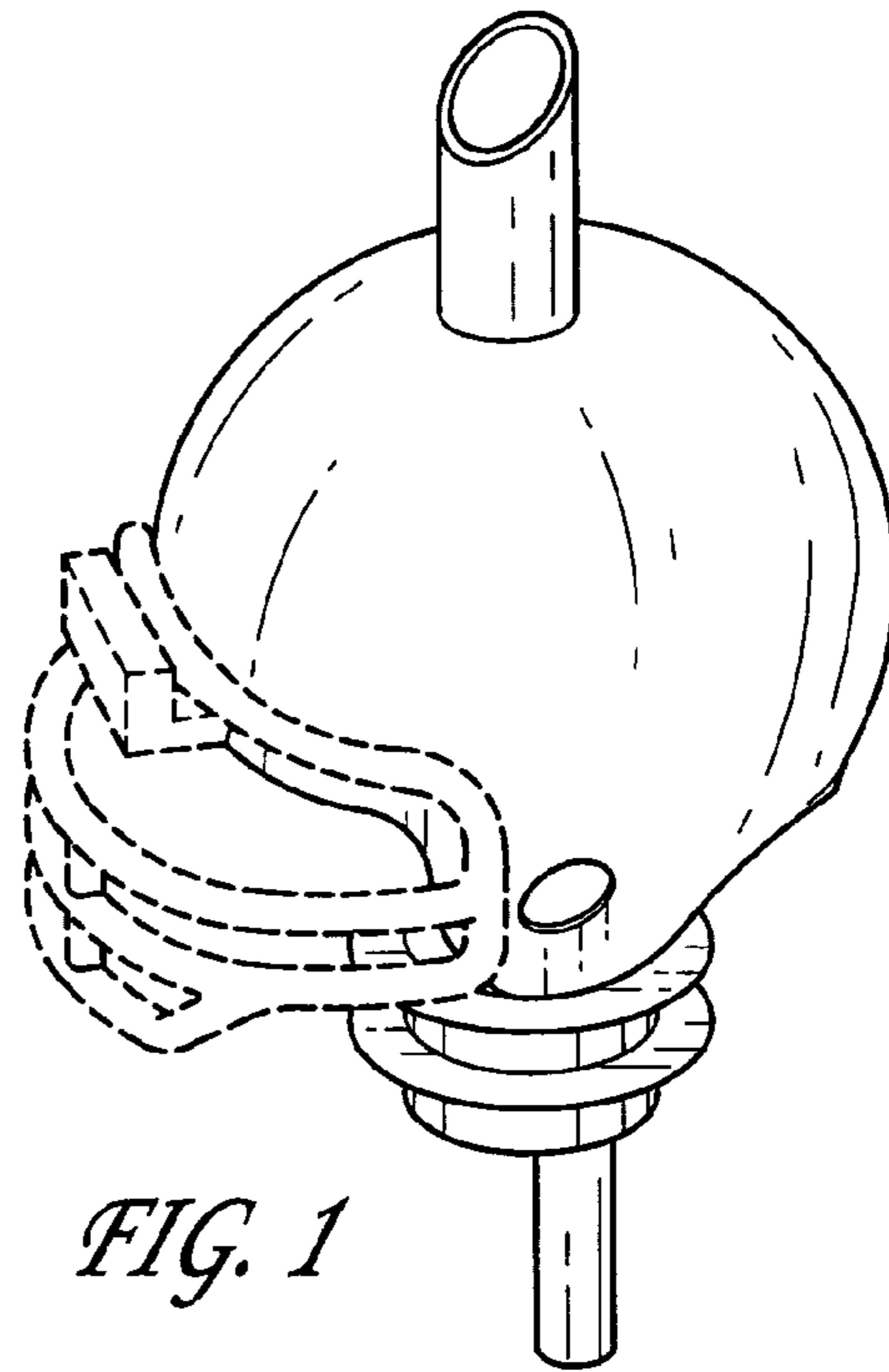


FIG. 1

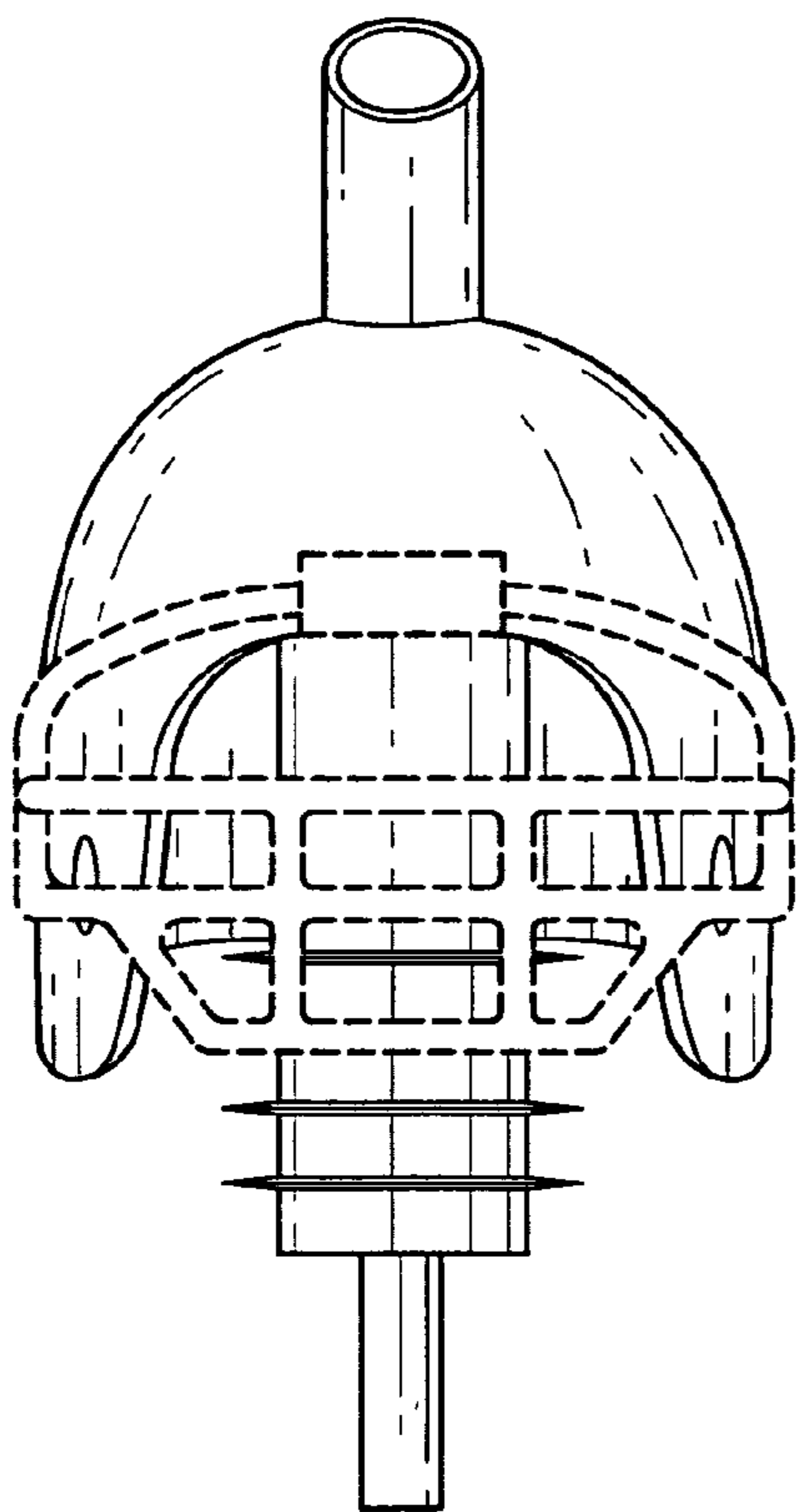


FIG. 2

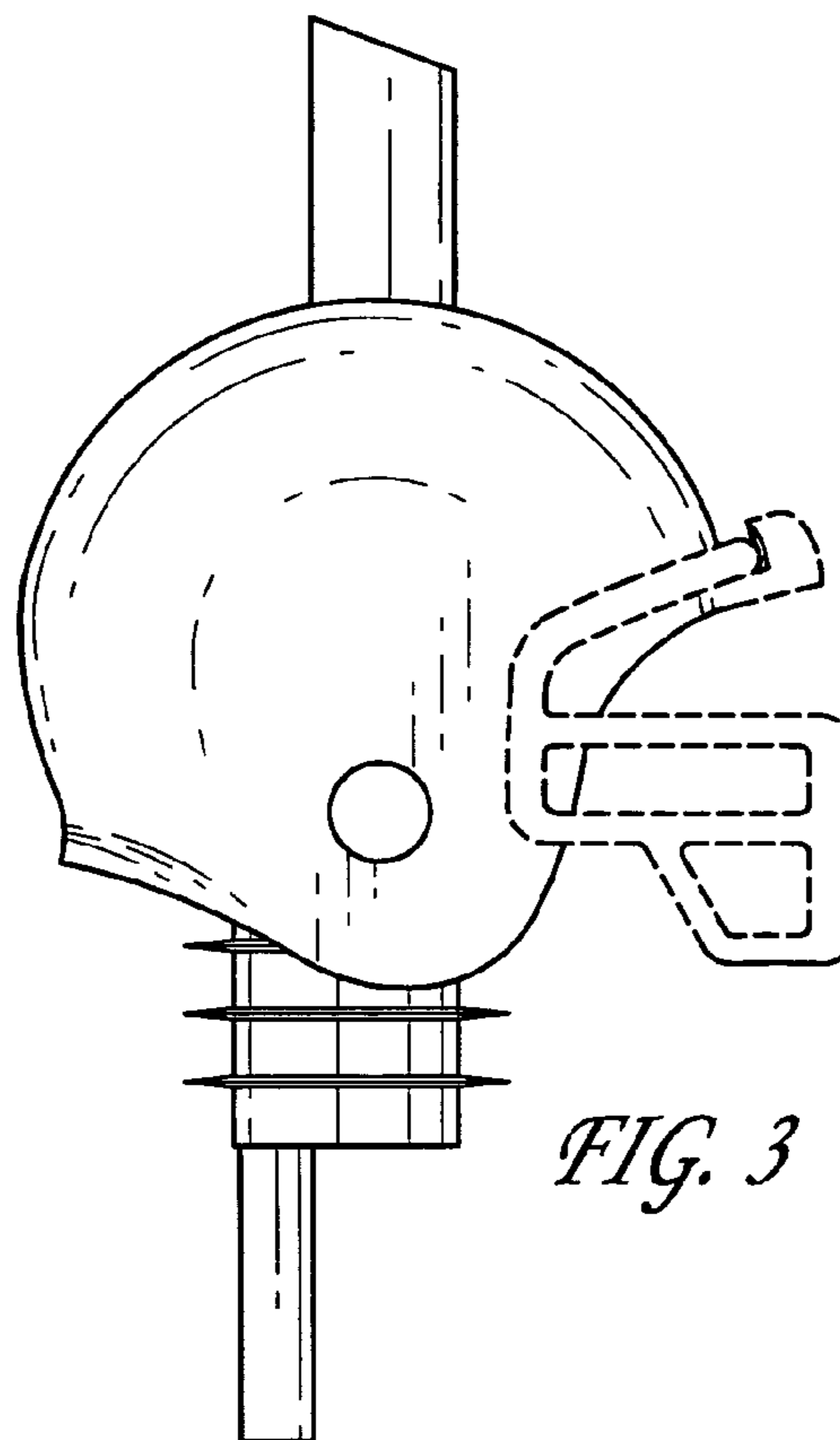


FIG. 3

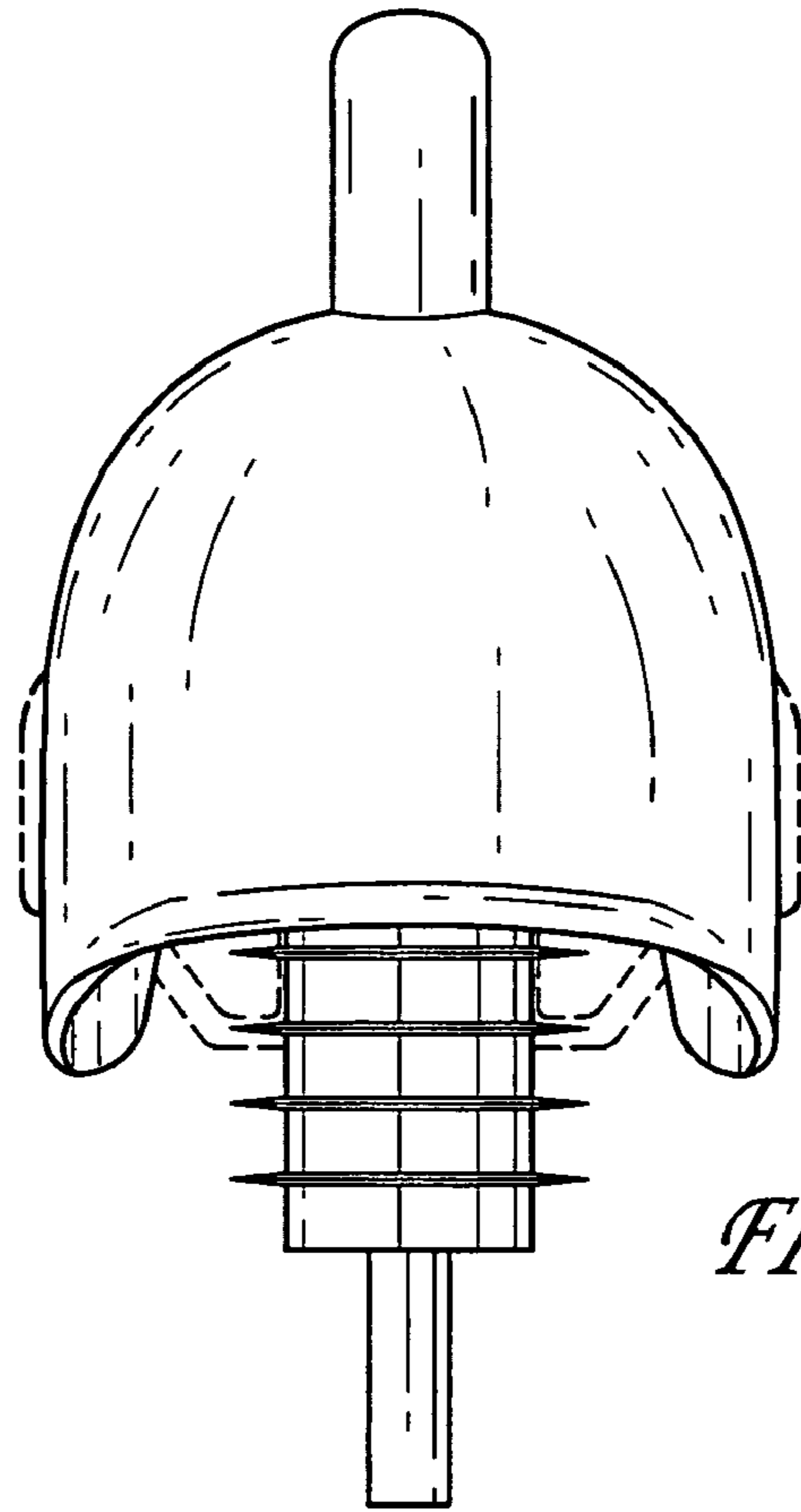


FIG. 4

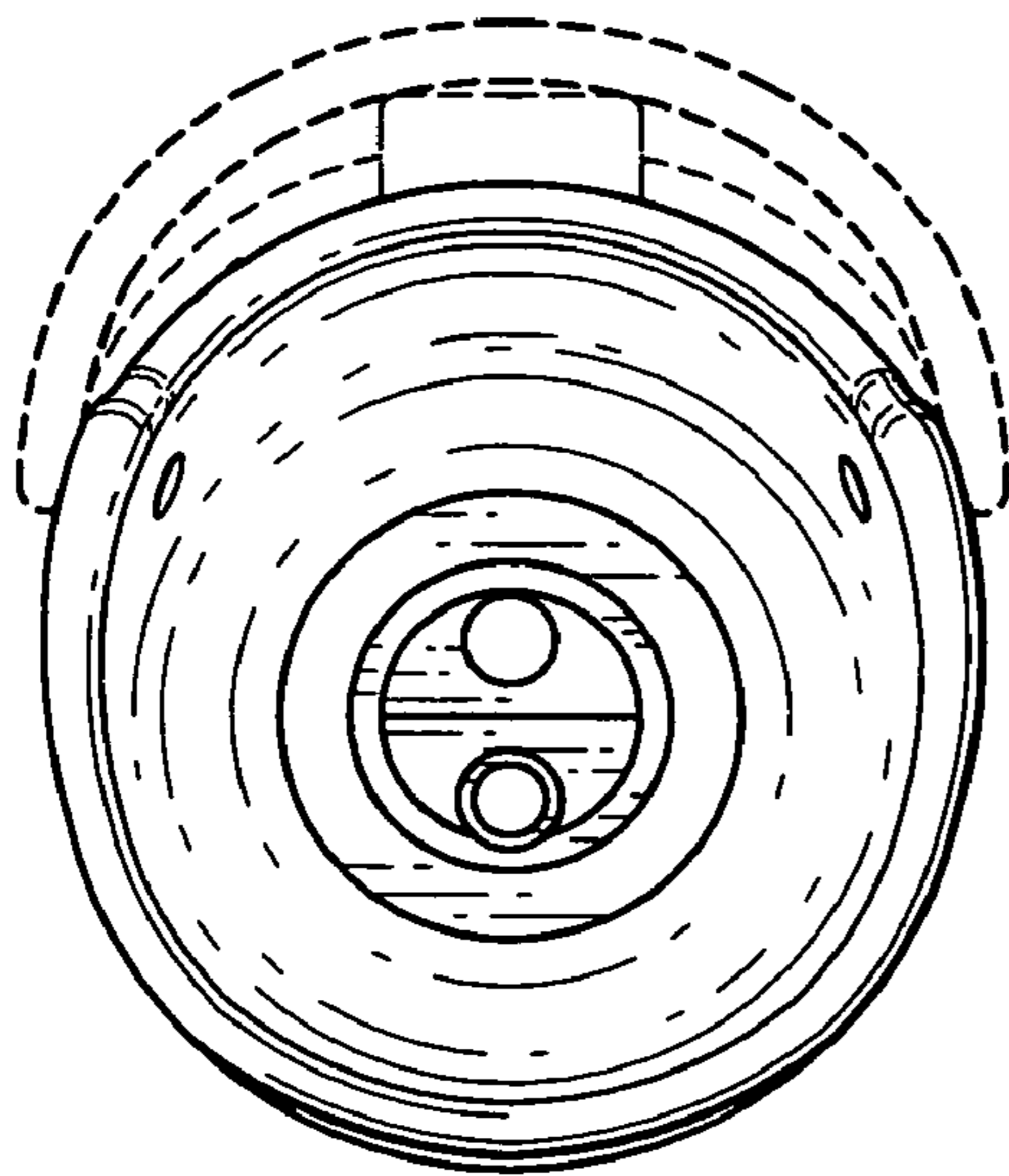


FIG. 5

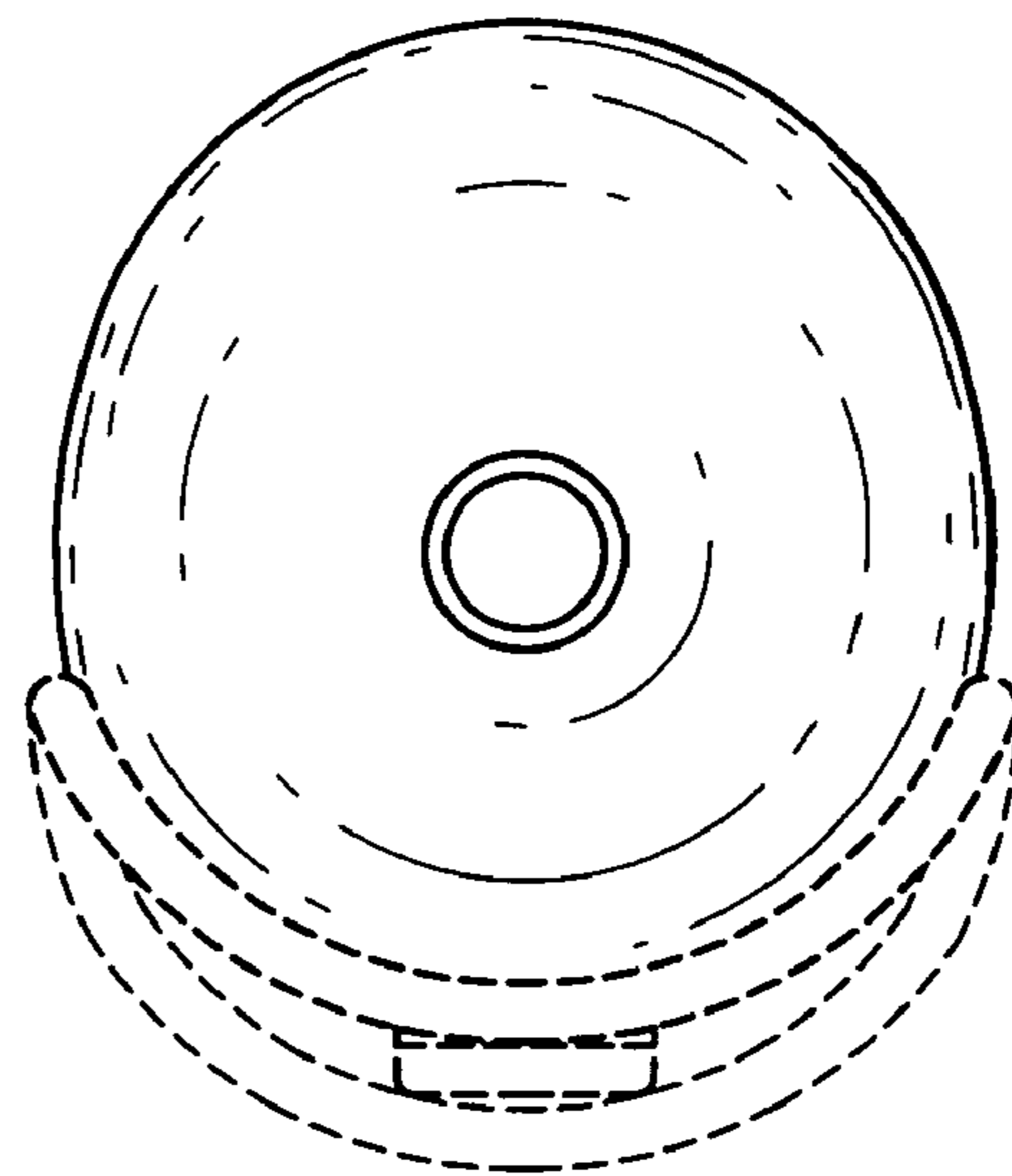


FIG. 6