



US00D597786S

(12) **United States Design Patent**
Molayem

(10) **Patent No.:** **US D597,786 S**
(45) **Date of Patent:** **** Aug. 11, 2009**

(54) **COOKING VESSEL HANDLE**

(75) Inventor: **Daryoosh Molayem**, Beverly Hills, CA
(US)

(73) Assignee: **Tabletops Unlimited, Inc.**, Carson, CA
(US)

(**) Term: **14 Years**

(21) Appl. No.: **29/325,333**

(22) Filed: **Sep. 29, 2008**

(51) **LOC (9) Cl.** **07-02**

(52) **U.S. Cl.** **D7/394**

(58) **Field of Classification Search** D7/354-361,
D7/393-395; D8/107, 300, 301, 307, 315,
D8/317, 319; 16/430, 431, 110.1, 407, 441,
16/443; 220/573.1-573.5, 752, 753, 755,
220/756, 912; D3/318

See application file for complete search history.

(56) **References Cited**

U.S. PATENT DOCUMENTS

- D330,839 S * 11/1992 Barrington et al. D8/315
- D397,023 S * 8/1998 Subliskey D8/319
- D409,472 S * 5/1999 Wang D8/320
- D448,647 S * 10/2001 Goldsbury D8/319
- D480,911 S * 10/2003 Logiudice et al. D7/394
- D503,307 S * 3/2005 Thomkins D7/394
- D509,420 S * 9/2005 Hauber D8/300
- D526,785 S * 8/2006 Brassat D3/318

- D563,722 S * 3/2008 Thurlow et al. D7/394
- D578,346 S * 10/2008 Rae D7/394
- D588,401 S * 3/2009 Rae D7/394
- D588,403 S * 3/2009 Tetreault D7/394

* cited by examiner

Primary Examiner—Holly H Baynham

Assistant Examiner—Cynthia M Chin

(74) *Attorney, Agent, or Firm*—Blakely, Sokoloff, Taylor & Zafman LLP

(57) **CLAIM**

The ornamental design for a cooking vessel handle, as shown and described.

DESCRIPTION

FIG. 1 is a perspective view of the handle.

FIG. 2 is a front elevational view of the handle.

FIG. 3 is a rear elevational view of the handle.

FIG. 4 is a top view of the pot handle.

FIG. 5 is a bottom view of the handle.

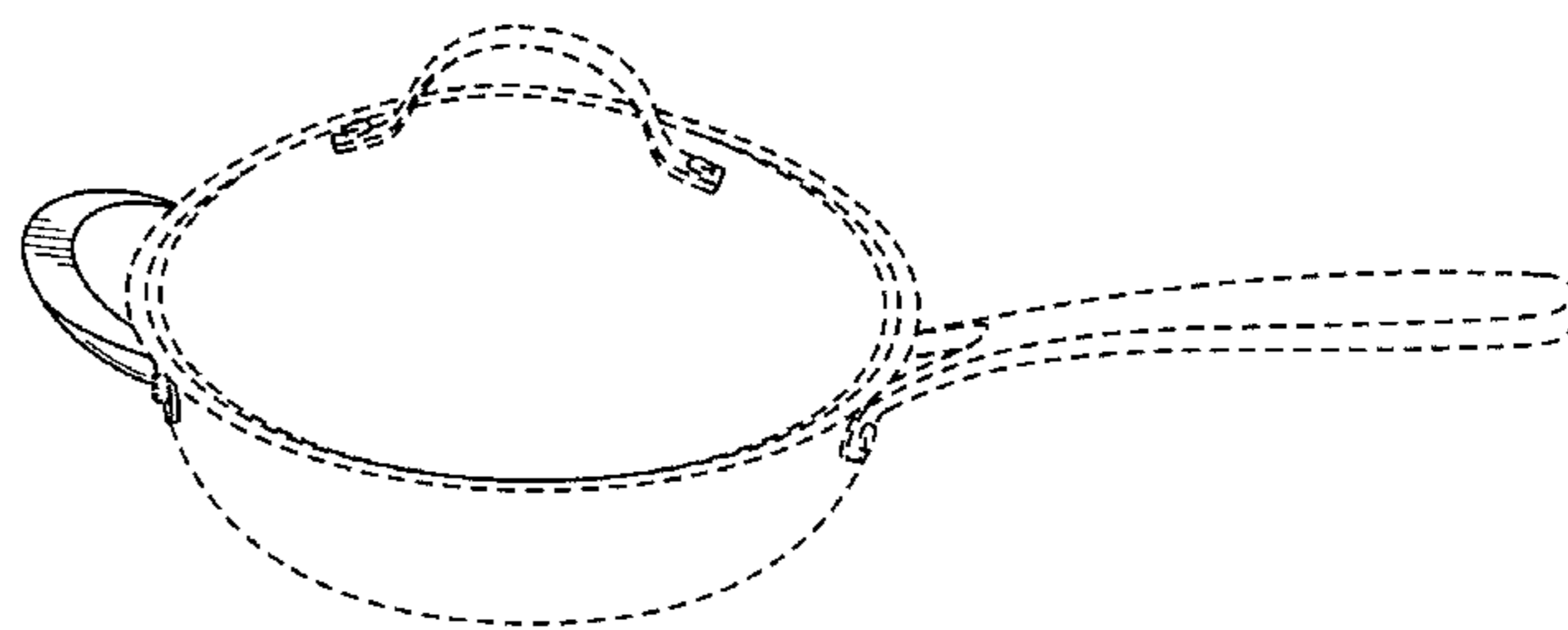
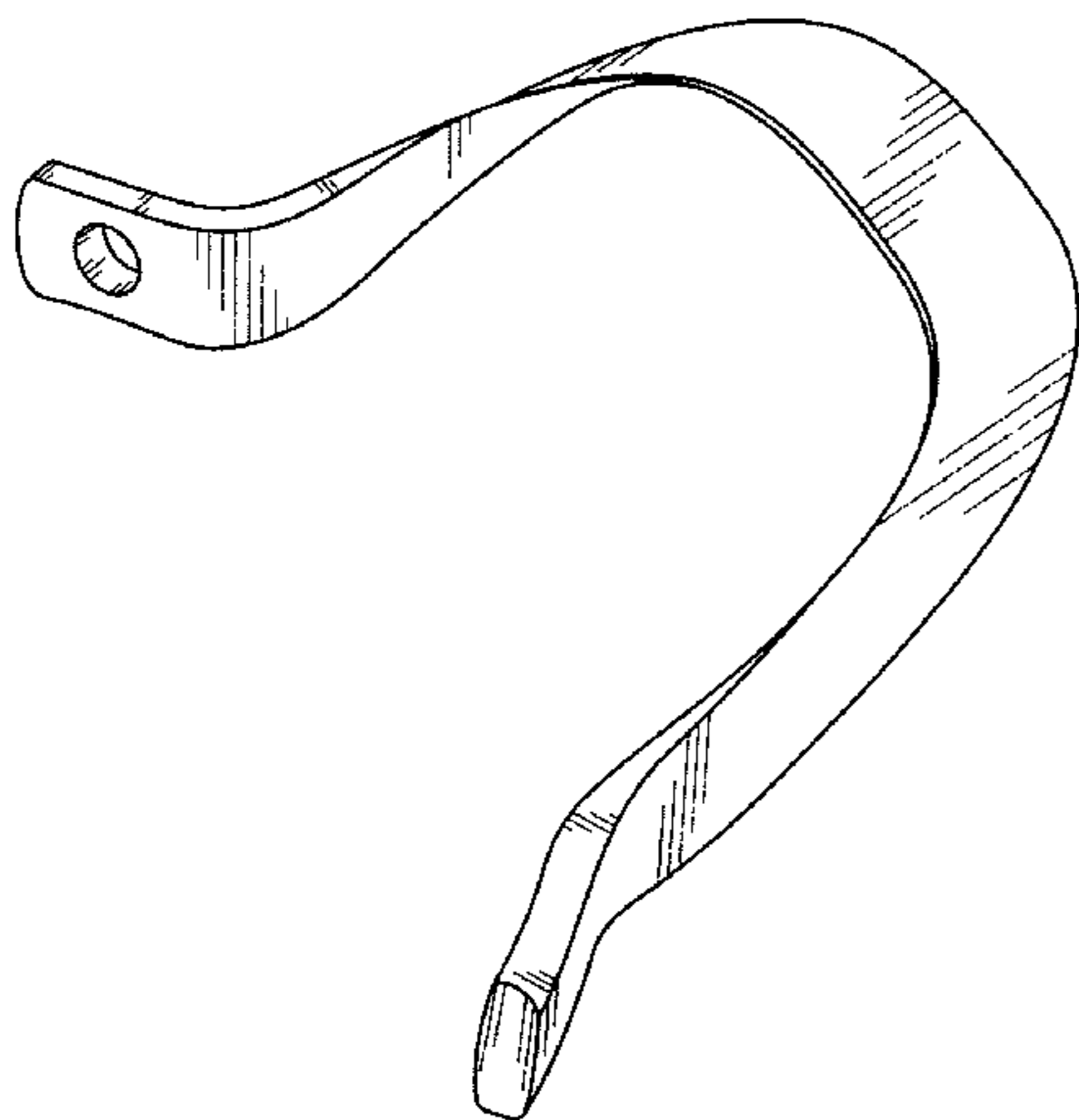
FIG. 6 is a right side view of the handle.

FIG. 7 is a left side view of the handle; and,

FIG. 8 is a reduced perspective view of the handle attached to a cooking vessel.

The broken lines shown in FIG. 8 represent the environment in which the design resides and forms no part of the claim.

1 Claim, 6 Drawing Sheets



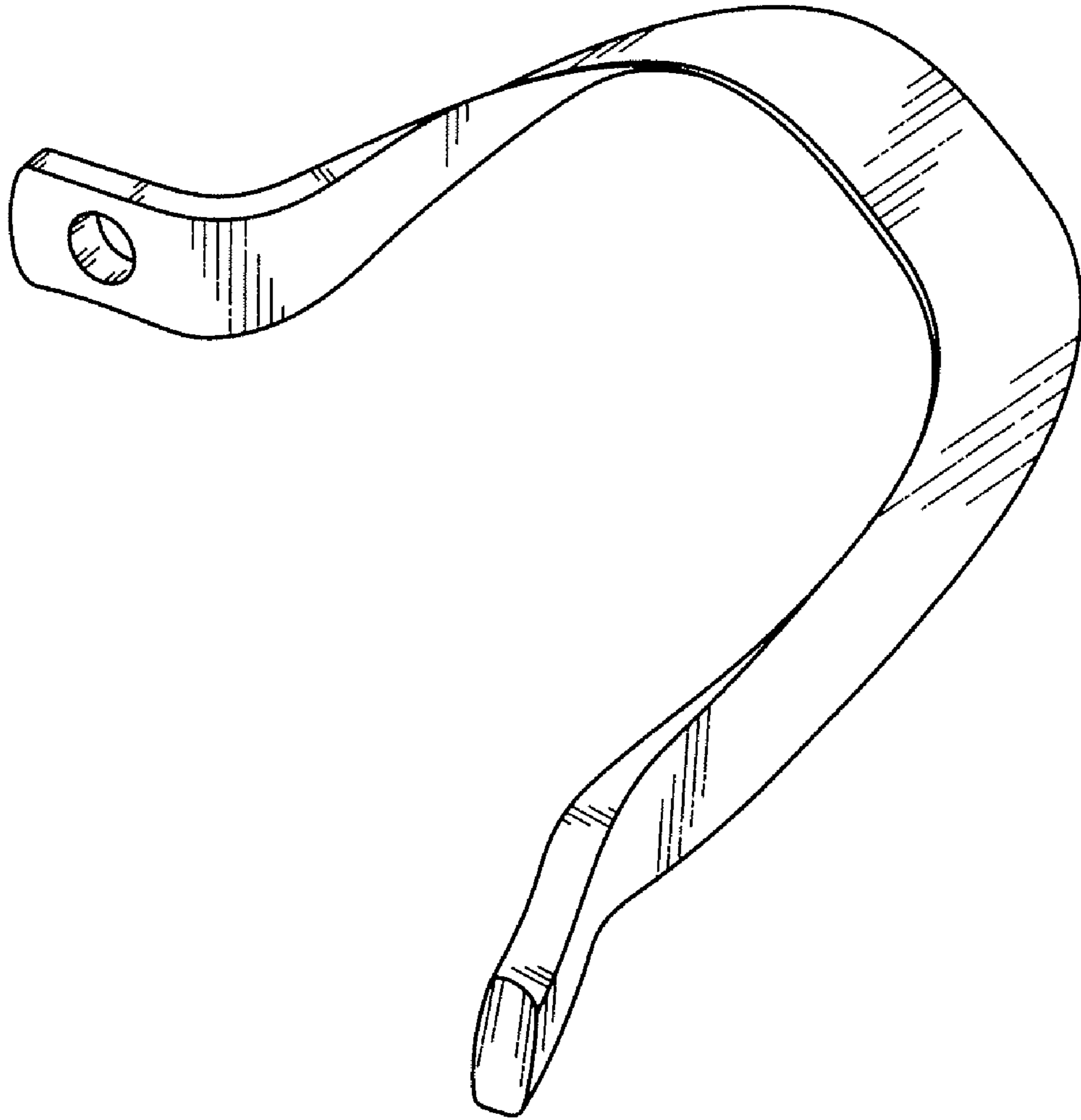


FIG. 1

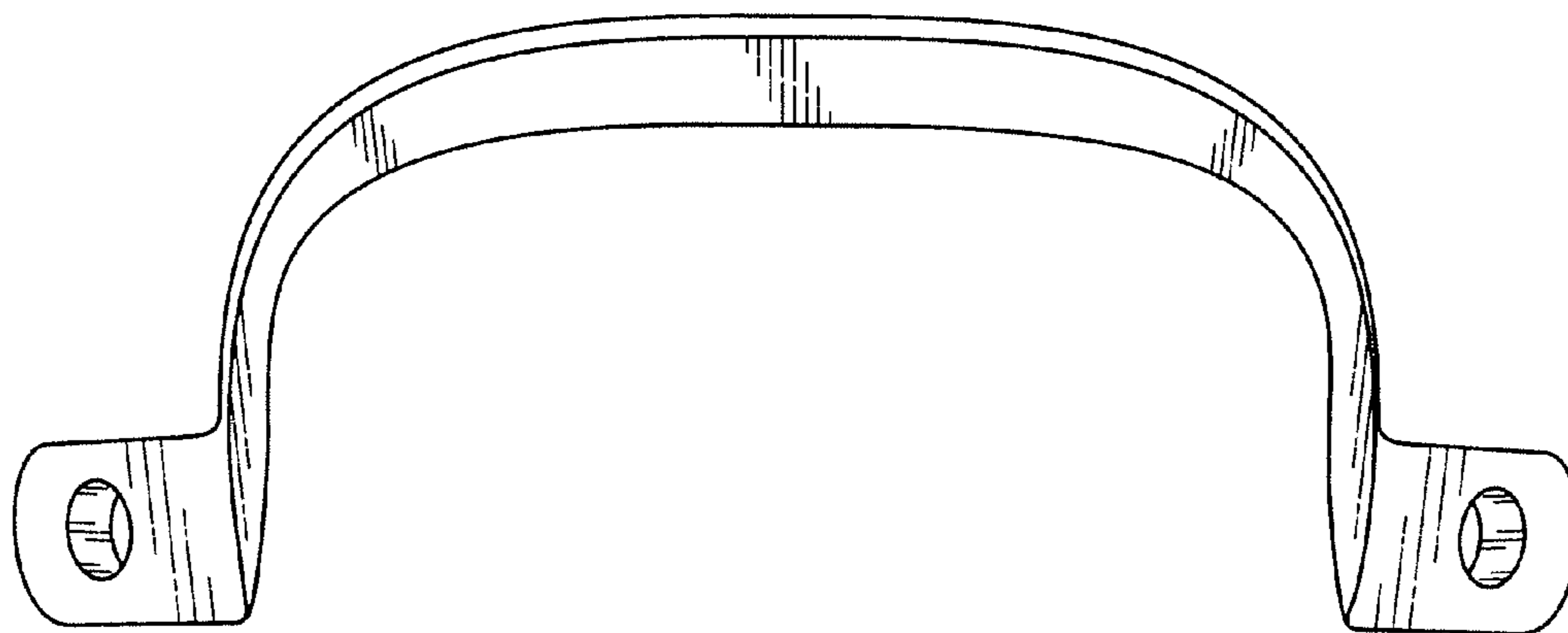


FIG. 2

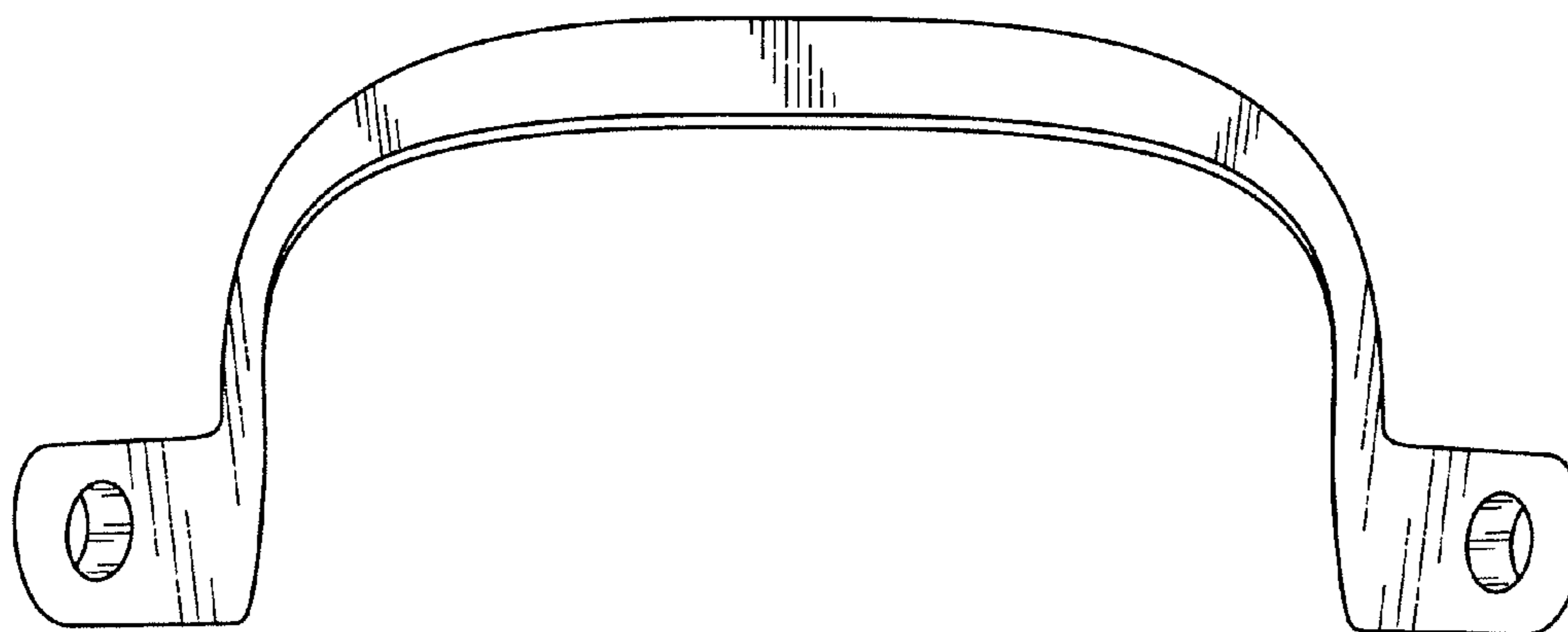


FIG. 3

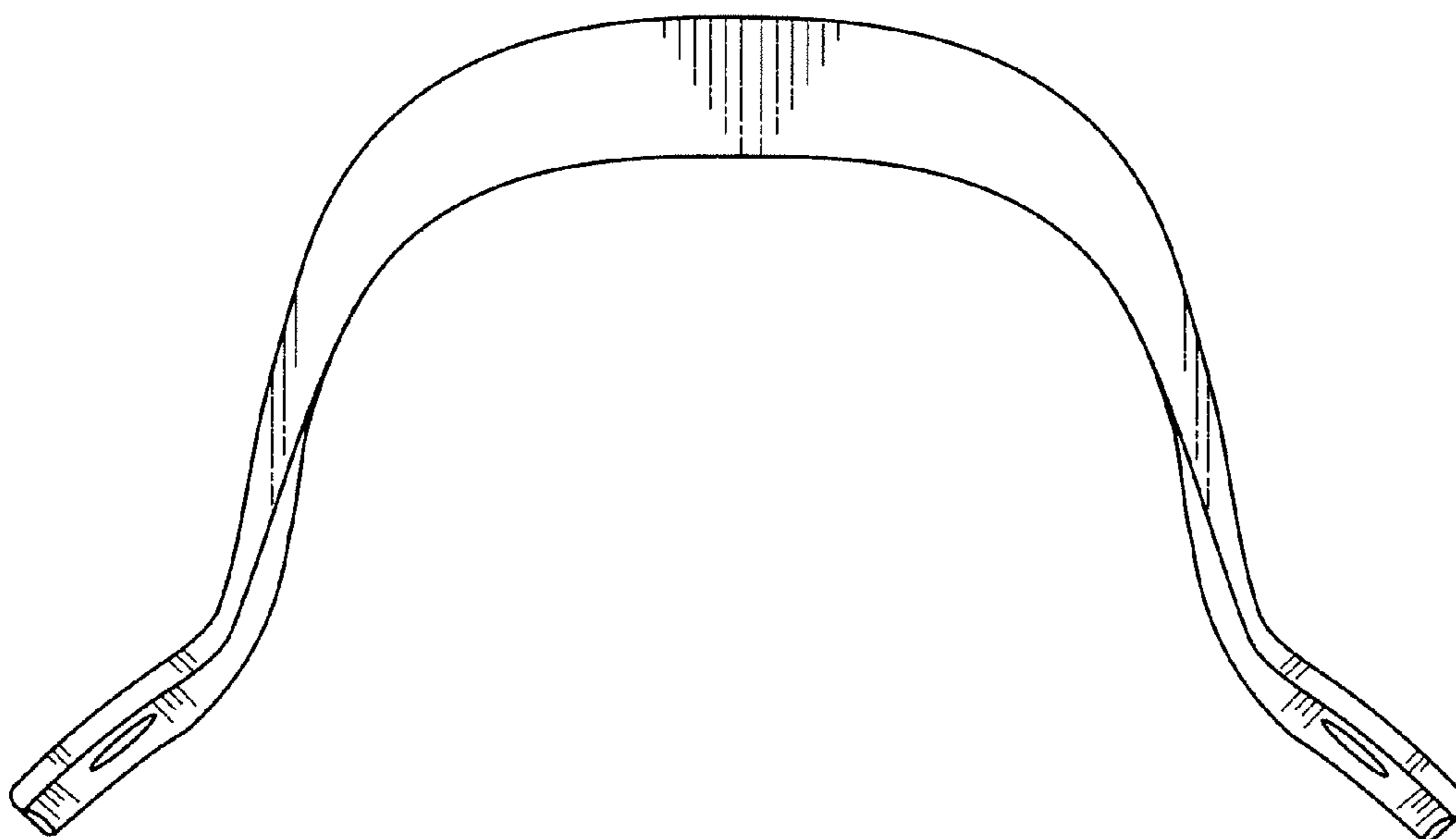


FIG. 4

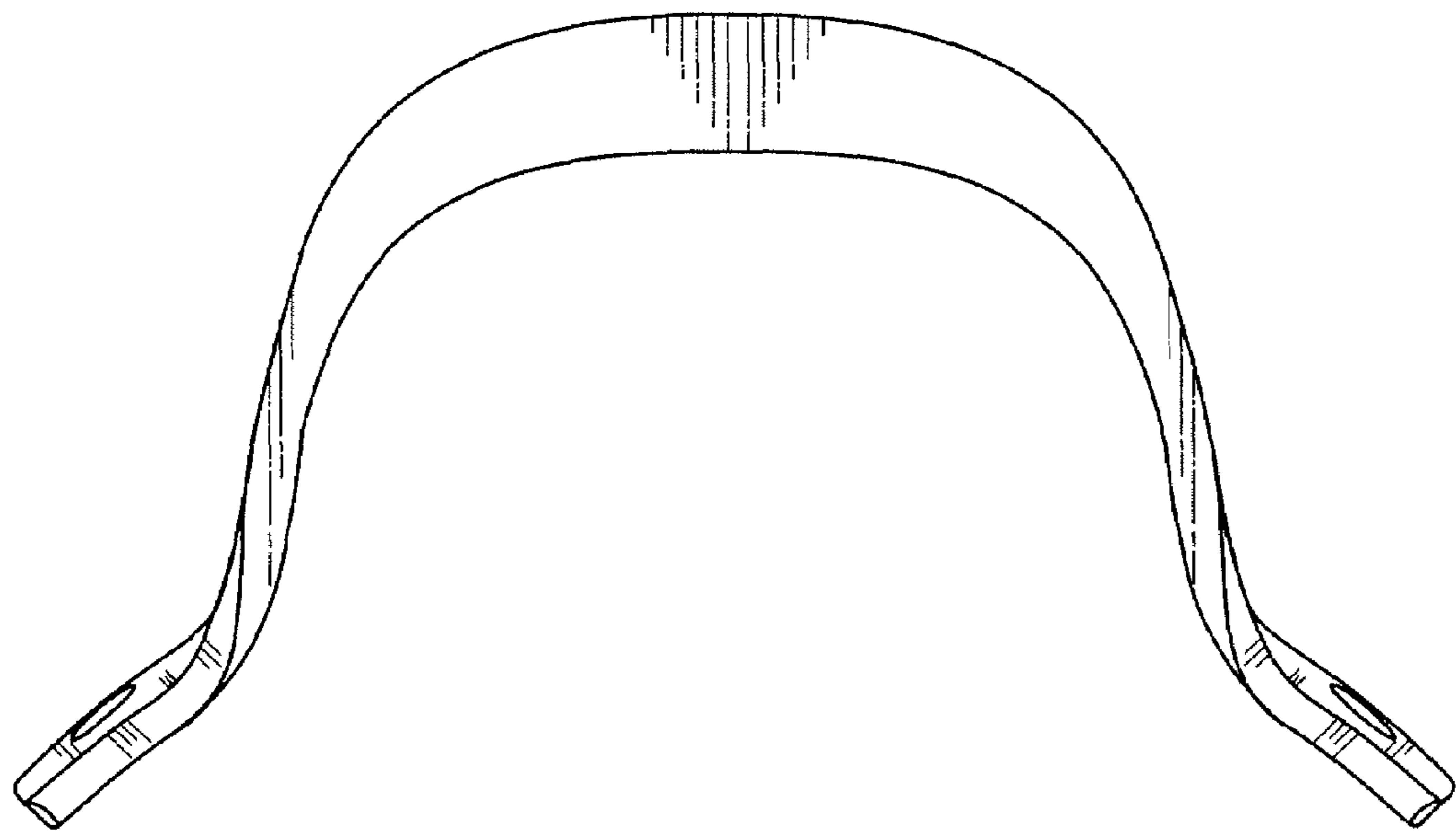


FIG. 5

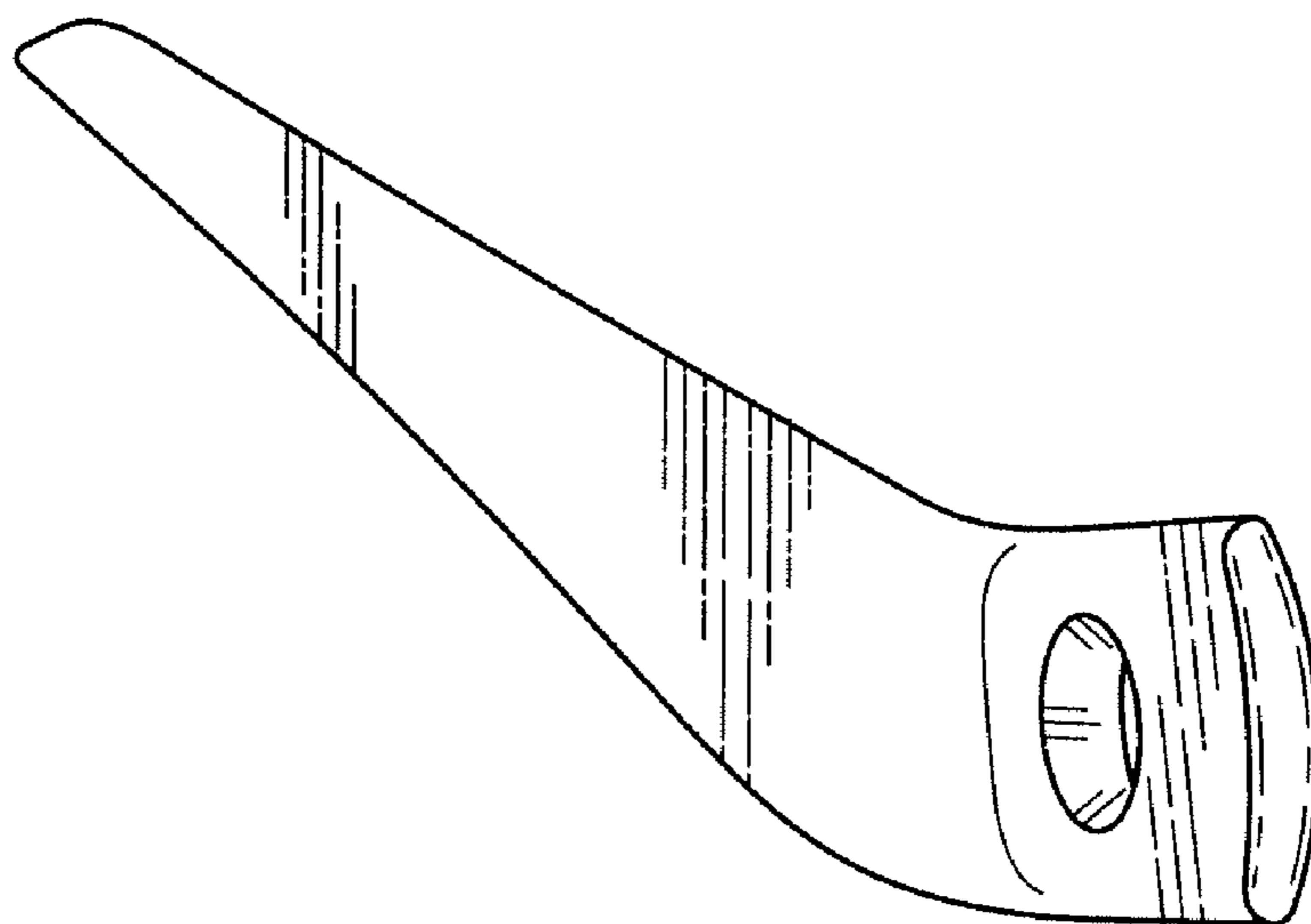


FIG. 6

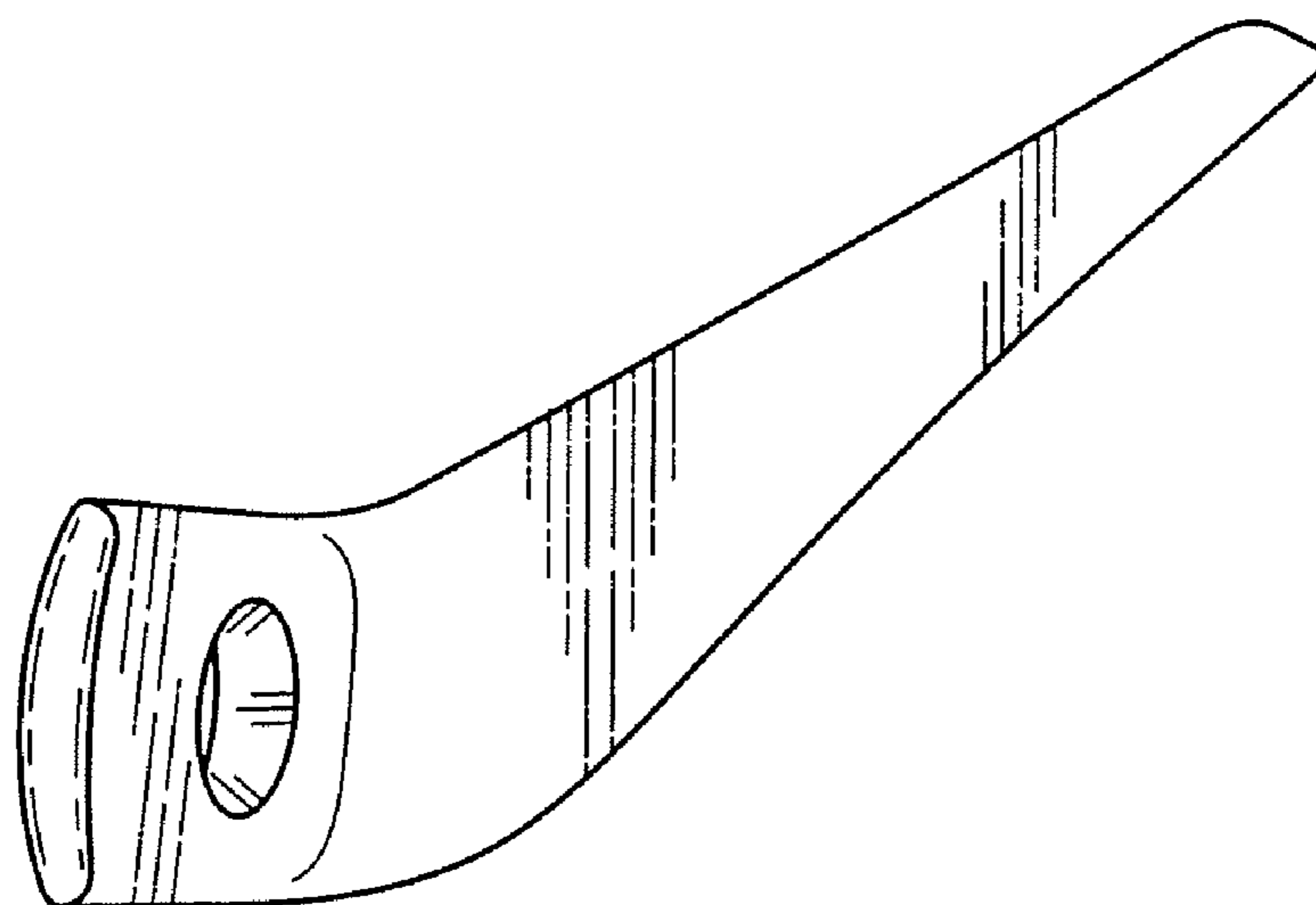


FIG. 7

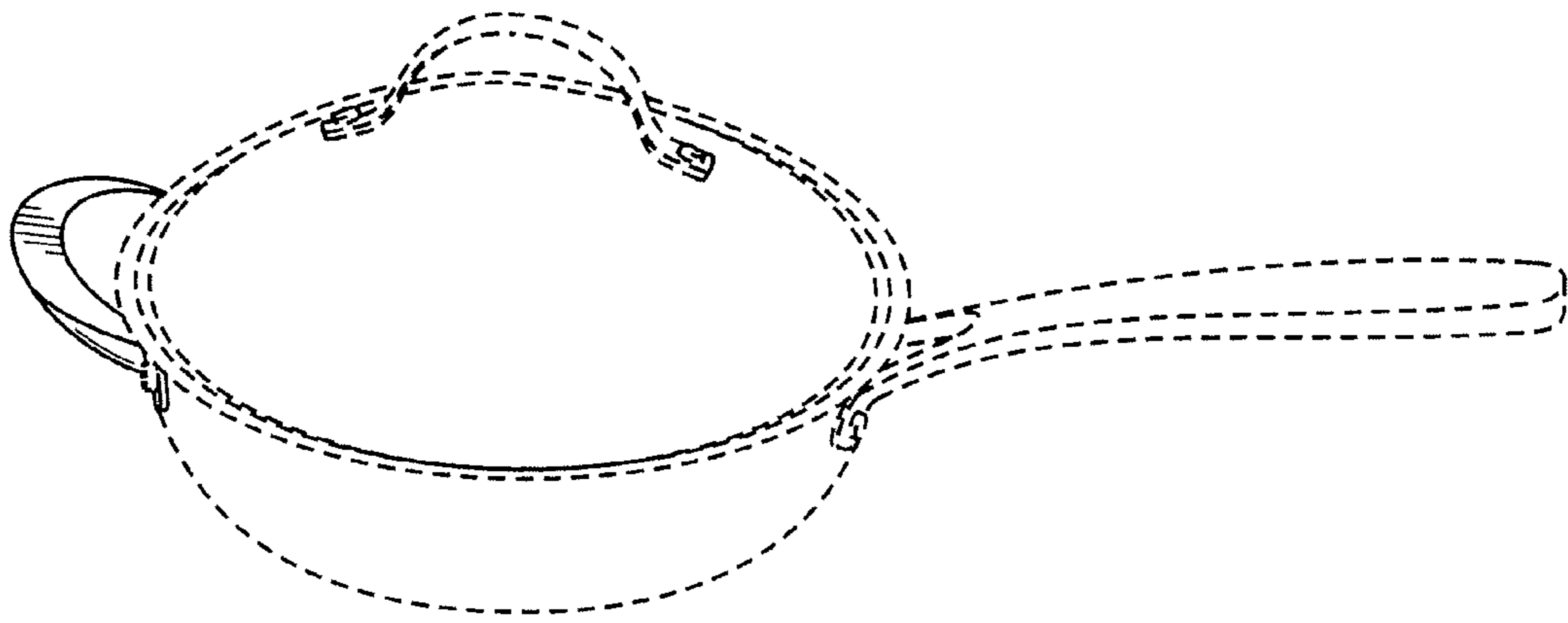


FIG. 8