

US00D597785S

(12) **United States Design Patent**
Rohrer

(10) **Patent No.:** **US D597,785 S**

(45) **Date of Patent:** **** Aug. 11, 2009**

(54) **SALAD CUTTER**

1,114,411 A 10/1914 Stuver
1,133,443 A 3/1915 Martin
1,373,843 A 4/1921 Sundberg

(75) Inventor: **Jeffrey S. Rohrer**, Kewaskum, WI (US)

(Continued)

(73) Assignee: **Regal Ware, Inc.**, Kewaskum, WI (US)

FOREIGN PATENT DOCUMENTS

(**) Term: **14 Years**

CA 1270657 6/1990

(21) Appl. No.: **29/288,267**

(Continued)

(22) Filed: **Jun. 6, 2007**

Primary Examiner—Caron Veynar
Assistant Examiner—Ricky Pham
(74) *Attorney, Agent, or Firm*—Ryan Kromholz & Manion S.C.

Related U.S. Application Data

(63) Continuation-in-part of application No. 29/221,490, filed on Jan. 14, 2005, now Pat. No. Des. 543,774.

(57) **CLAIM**

(51) **LOC (9) Cl.** **31-00**

The ornamental design for a salad cutter, as shown and described.

(52) **U.S. Cl.** **D7/381**

(58) **Field of Classification Search** D7/317–318,
D7/354, 356, 372–386, 392, 412–415, 665;
D9/438, 449, 503; 99/348, 509–511; 62/342;
83/401, 417; 241/82.5, 93, 101.01–101.2,
241/166–169.1, 199.12, 274–278.2, 285.1–285.3,
241/291, 292.1; 248/362; 366/64–67, 98,
366/192, 197–211, 205–206, 241–254, 279–292,
366/341–343; 425/302.1

DESCRIPTION

See application file for complete search history.

FIG. 1 is a top perspective view of the salad cutter of the present invention.
FIG. 2 is a left side view thereof;
FIG. 3 is a right side view thereof;
FIG. 4 is a rear side view thereof;
FIG. 5 is a front side view thereof;
FIG. 6 is a top plan view thereof; and
FIG. 7 is a bottom plan view thereof; and,
FIG. 8 is an exploded view thereof.

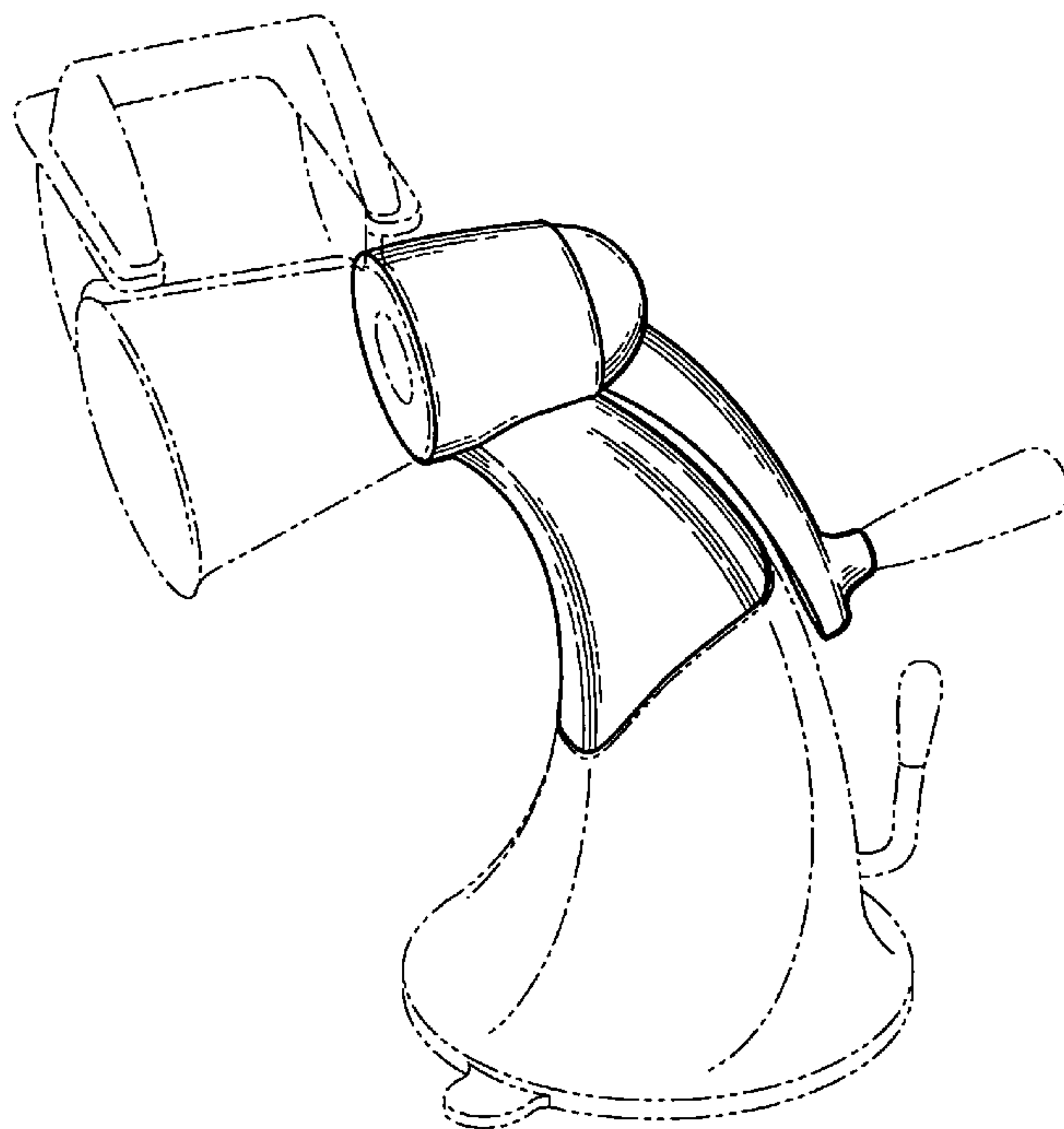
(56) **References Cited**

U.S. PATENT DOCUMENTS

344,046 A 6/1886 Holmes
399,587 A 3/1889 Warren
419,103 A * 1/1890 Baltzley 241/82.5
859,368 A 7/1907 Collins
913,187 A 2/1909 Amstein
1,032,258 A * 7/1912 Wefing 241/277

The broken lines in the drawings are shown for illustrative purposes only and forms no part of the claimed design.

1 Claim, 4 Drawing Sheets



US D597,785 S

U.S. PATENT DOCUMENTS

1,669,092 A * 5/1928 Kools 83/417
 1,738,896 A 12/1929 Hansen
 1,780,173 A 11/1930 Crowe
 1,840,400 A * 1/1932 Leberherz 248/362
 1,928,718 A 10/1933 Covey
 1,942,766 A 2/1934 o'Banion
 2,145,421 A * 1/1939 Jungbecker 425/302.1
 2,228,175 A * 1/1941 Miller 83/401
 D156,557 S 12/1949 Piker
 2,596,604 A 5/1952 Schaeffer
 D173,029 S * 9/1954 Green et al. D7/372
 2,695,643 A 11/1954 Aberer
 2,713,367 A * 7/1955 Aberer 241/282.1
 D187,452 S * 3/1960 Mango D7/372
 2,945,298 A 7/1960 Guttman
 2,958,355 A 11/1960 Young
 3,115,171 A 12/1963 Loveland
 3,138,823 A 6/1964 Langner
 D201,602 S * 7/1965 Graham D7/383
 D206,927 S 2/1967 Pompeil
 3,353,266 A 11/1967 Goolsby
 D215,390 S 9/1969 McGee
 D217,691 S 5/1970 Earp
 D219,358 S * 12/1970 Popeli D7/383
 3,610,304 A 10/1971 Popeil et al.
 3,664,021 A 5/1972 Sawyer
 3,710,445 A 1/1973 Roth
 3,711,945 A 1/1973 Cronheim
 3,713,378 A 1/1973 West et al.
 3,772,737 A 11/1973 Fleiss
 D233,123 S 10/1974 Rigamonti
 3,912,176 A * 10/1975 Mantelet 241/93
 3,996,846 A 12/1976 Hupf
 4,081,145 A * 3/1978 Moe et al. 241/93
 4,100,677 A 7/1978 Jeff
 4,134,358 A 1/1979 Heermans
 D253,155 S 10/1979 Jurida
 4,199,841 A 4/1980 Jaccard
 4,254,700 A 3/1981 Fleming
 4,258,657 A 3/1981 Fritz
 D260,129 S 8/1981 Shun
 D260,351 S 8/1981 Shun
 D261,472 S * 10/1981 Graham et al. D7/383
 4,295,272 A 10/1981 Kubota
 4,418,637 A 12/1983 Heermans
 4,437,237 A 3/1984 Ducret
 4,463,476 A 8/1984 Jaccard
 D276,202 S * 11/1984 Shun D7/678
 4,534,858 A 8/1985 Aldrich et al.
 4,606,823 A 8/1986 Lucas, III
 4,667,085 A 5/1987 Remmel et al.

4,669,275 A * 6/1987 Ohgushi et al. 62/342
 4,674,154 A 6/1987 Gilbert et al.
 4,681,000 A 7/1987 Wolters
 RE32,501 E 9/1987 Okada
 D297,390 S 8/1988 Fehrmann
 4,776,092 A 10/1988 Moores et al.
 4,776,296 A 10/1988 Heermans
 4,848,001 A 7/1989 Clark et al.
 4,862,552 A 9/1989 Remmel
 4,972,769 A 11/1990 Cailliot
 5,023,927 A 6/1991 Bardell
 5,144,749 A 9/1992 Chen
 D344,213 S 2/1994 Johns
 5,355,588 A 10/1994 Brandenburg, Jr. et al.
 5,400,512 A 3/1995 Brush
 5,463,942 A 11/1995 Hupf et al.
 D365,971 S 1/1996 Brockmann
 5,493,781 A 2/1996 Saito
 D369,718 S 5/1996 Rohrer
 5,531,095 A 7/1996 Hupf
 D372,634 S 8/1996 Rohrer
 D376,726 S 12/1996 Rohrer
 D377,581 S 1/1997 Rohrer
 D383,192 S 9/1997 Johnson
 5,670,216 A 9/1997 Oak et al.
 5,698,769 A 12/1997 Hupf
 5,765,289 A 6/1998 Schulz et al.
 5,765,431 A 6/1998 Hupf
 5,787,779 A 8/1998 Garuglieri
 D401,815 S 12/1998 Filipovic
 D403,918 S * 1/1999 Lin D7/374
 D414,383 S 9/1999 Fitzgibbons et al.
 6,004,000 A 12/1999 Hupf et al.
 6,080,496 A 6/2000 Hupf et al.
 6,094,824 A 8/2000 Takeshita
 6,209,750 B1 4/2001 Remmel
 6,260,733 B1 7/2001 Eimerman
 6,282,794 B1 9/2001 Cho et al.
 D484,738 S 1/2004 Wong
 D507,455 S * 7/2005 Bertulis D7/376
 D543,774 S * 6/2007 Rohrer D7/381
 7,337,997 B2 * 3/2008 Ko 241/93

FOREIGN PATENT DOCUMENTS

CA	2131876	9/2002
CH	642245	4/1984
DE	611489	3/1935
DE	9003291	7/1990
IT	573580	2/1958
KR	105515	10/1996
WO	WO 97/24469	7/1997

* cited by examiner

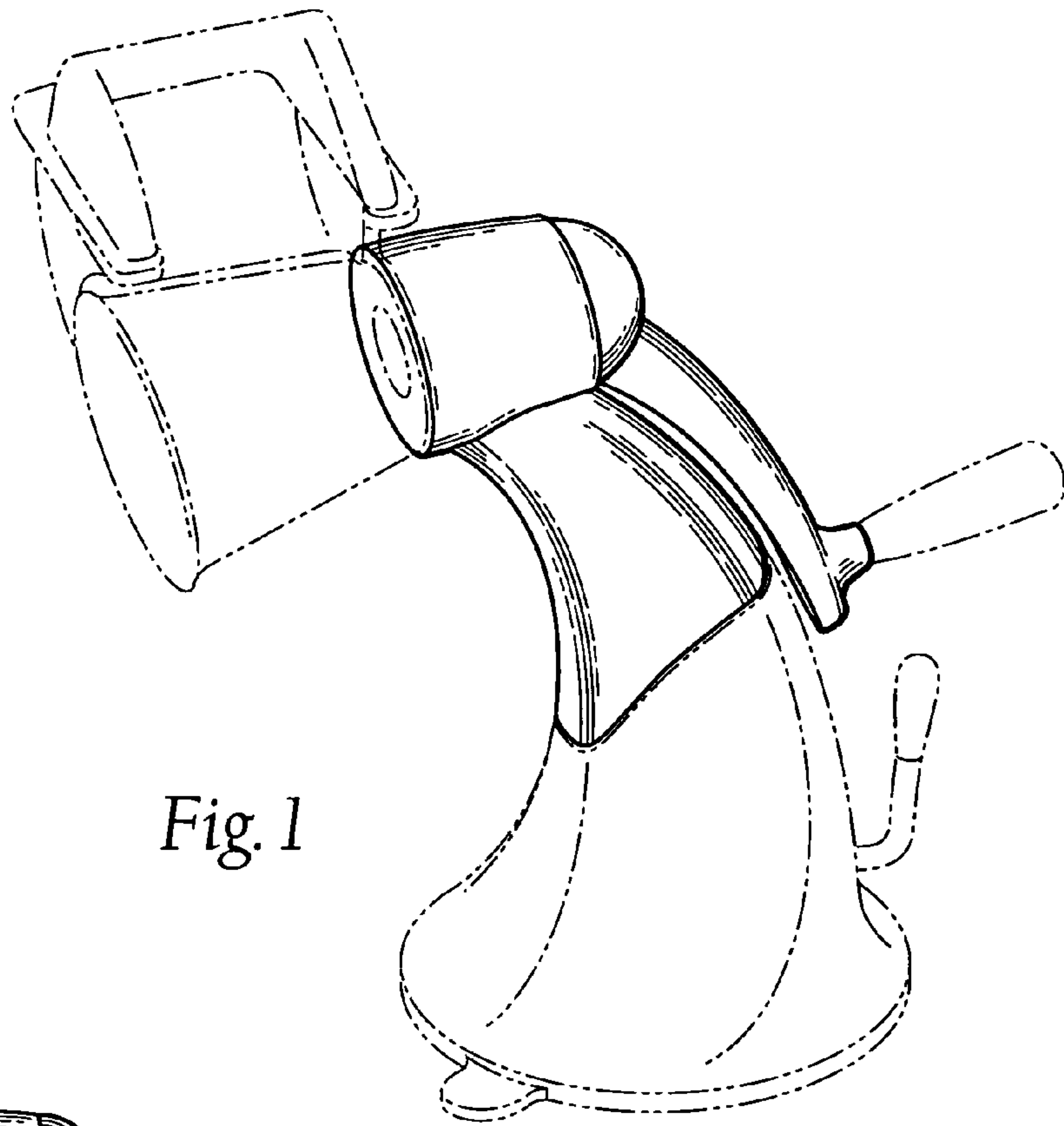


Fig. 1

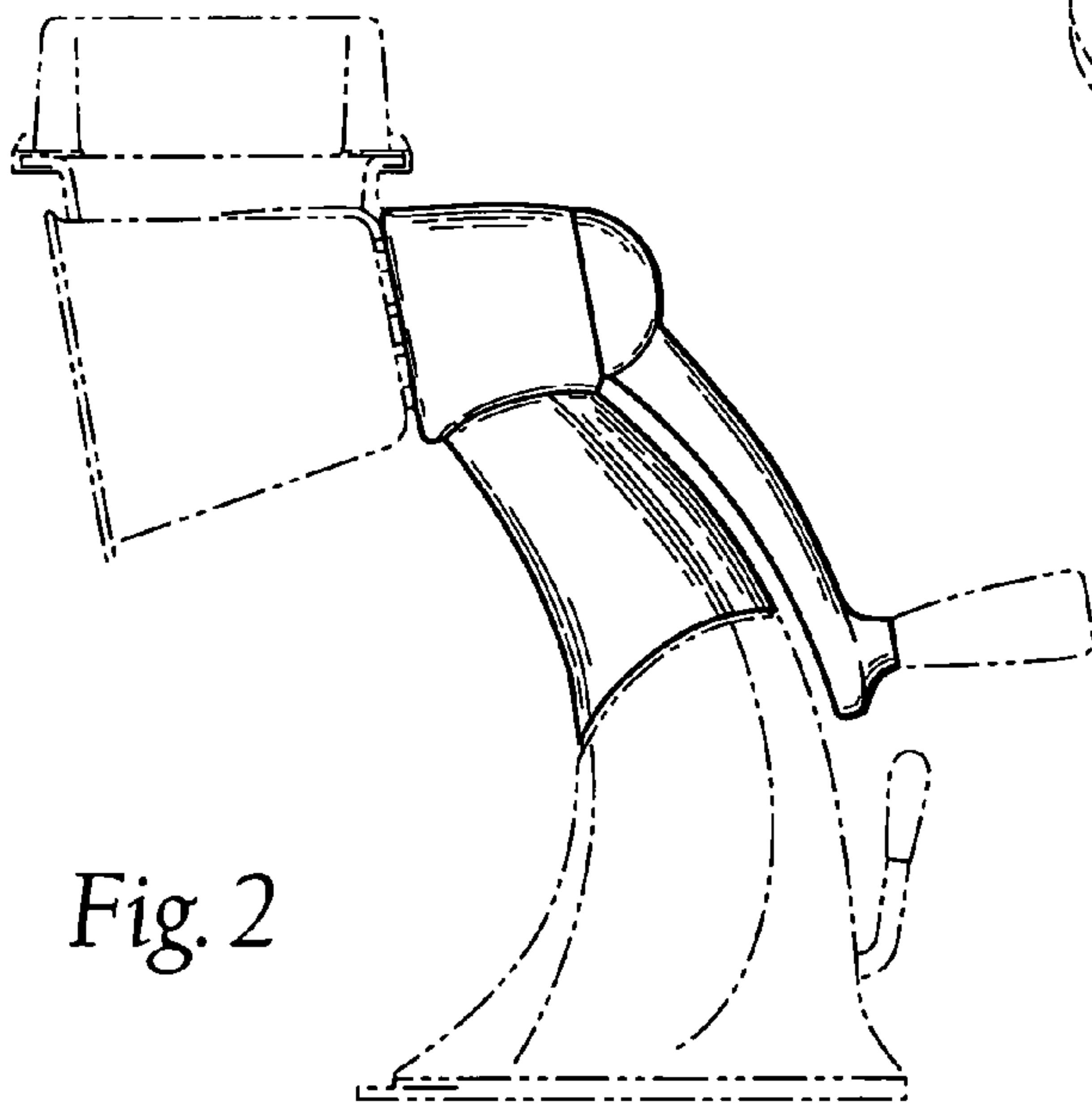


Fig. 2

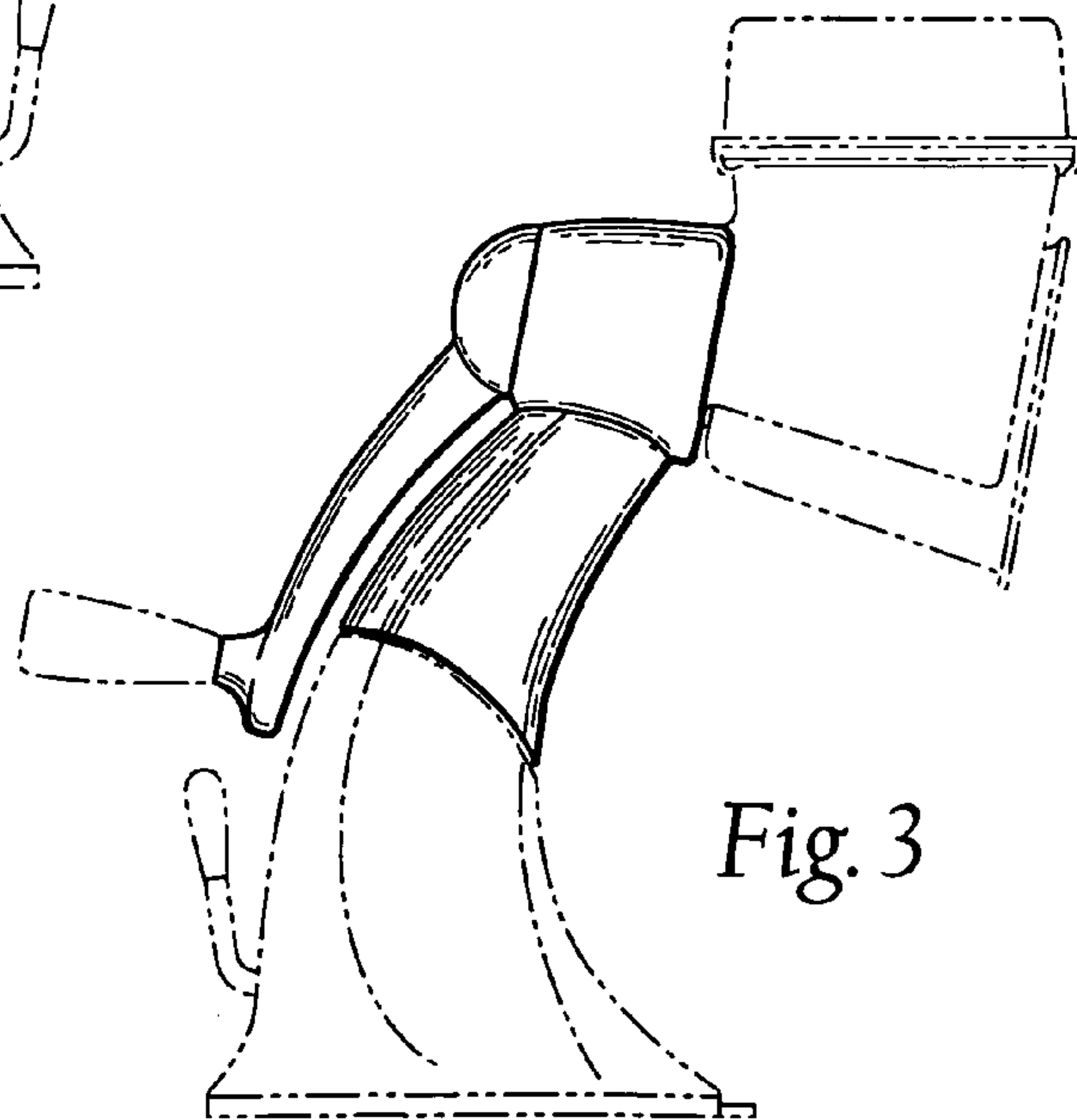


Fig. 3

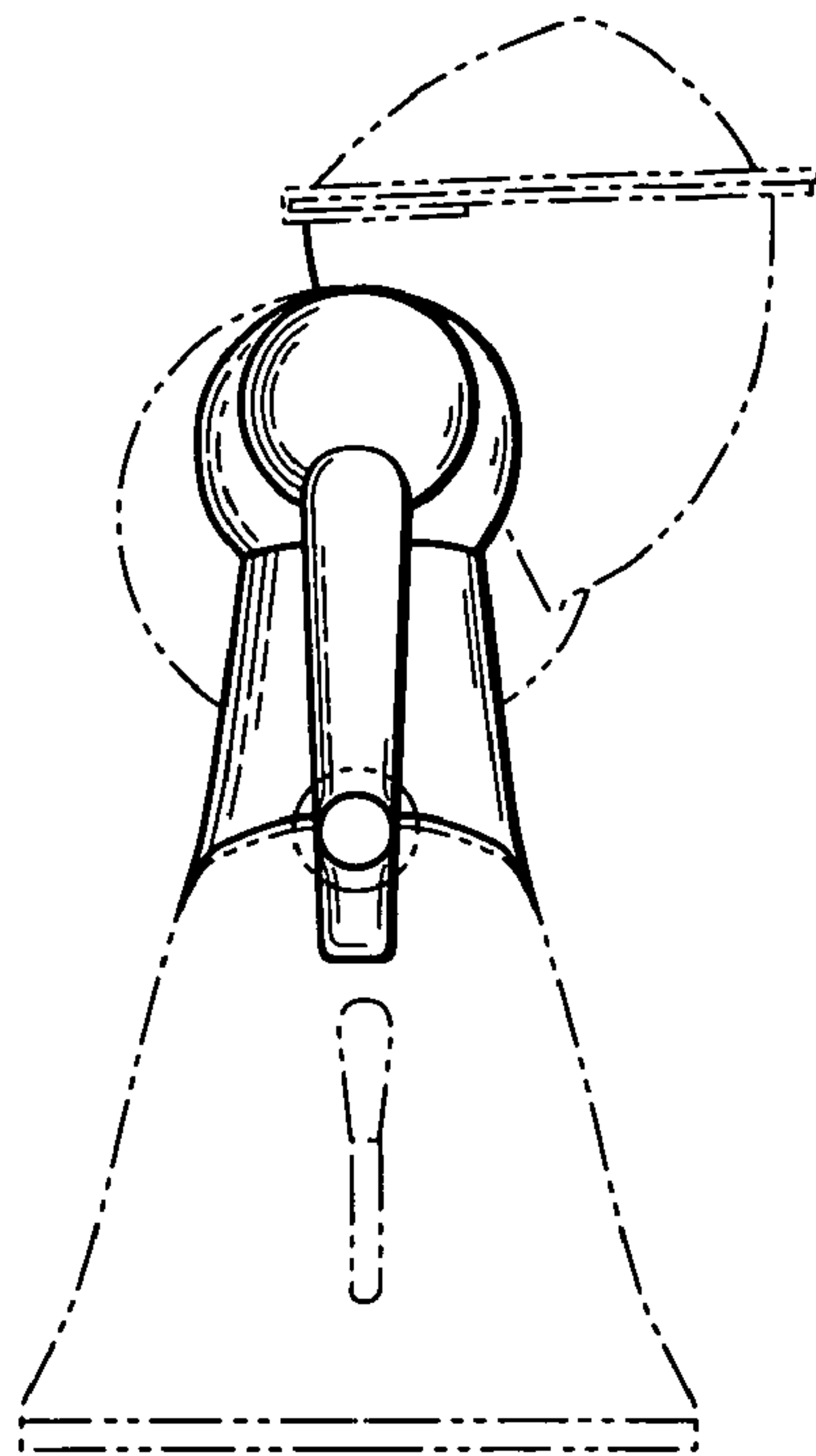


Fig. 4

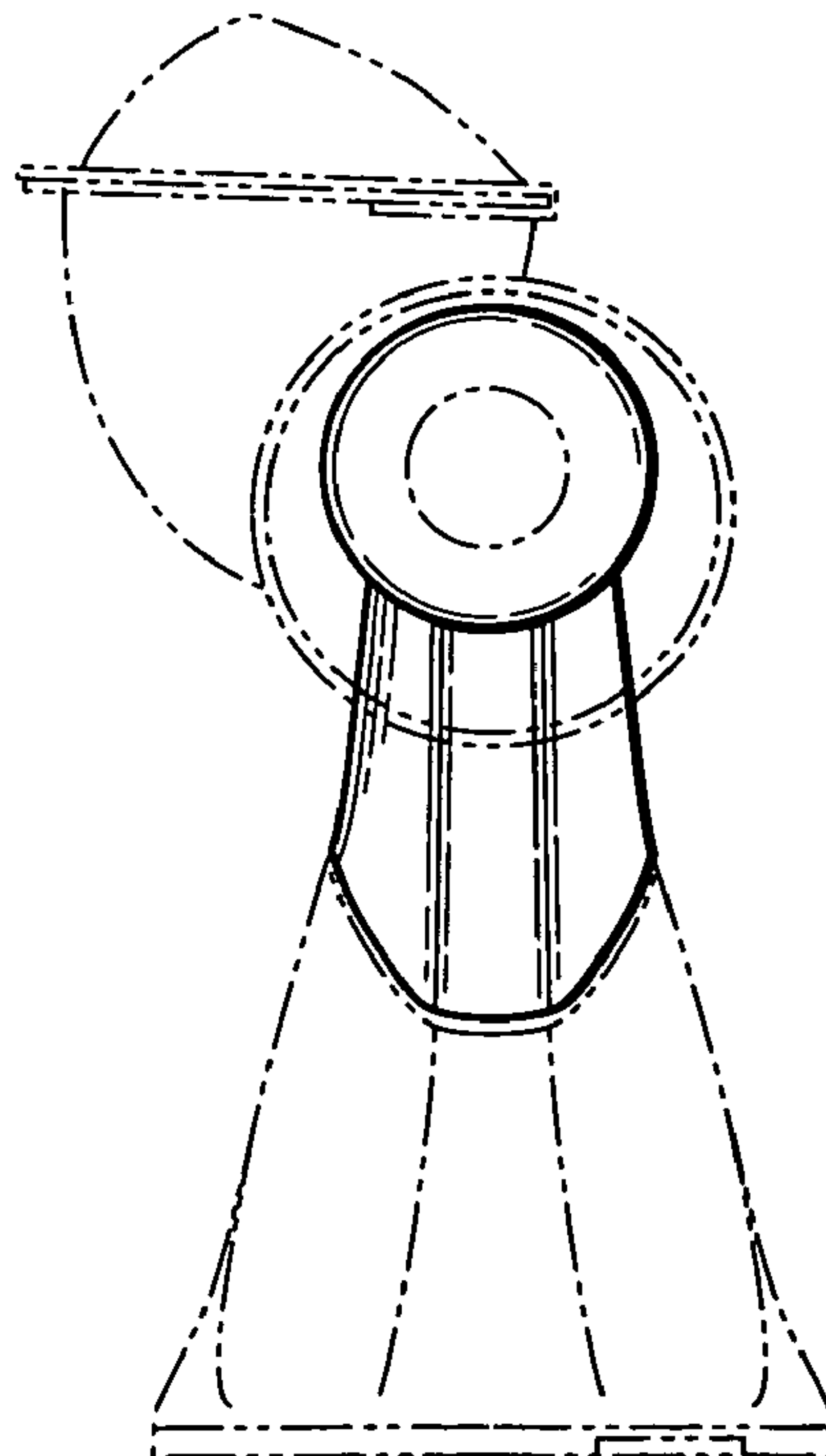


Fig. 5

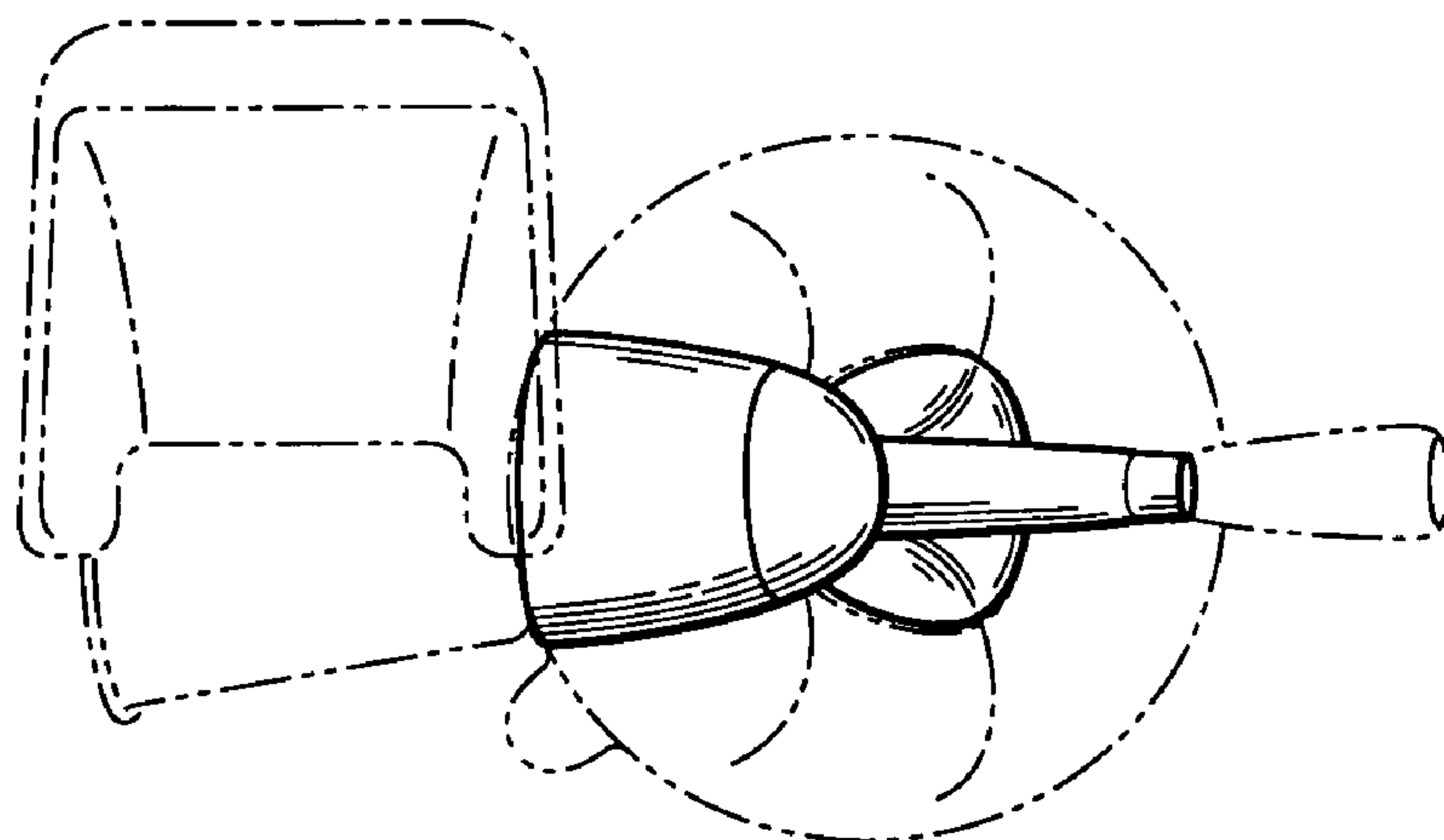


Fig. 6

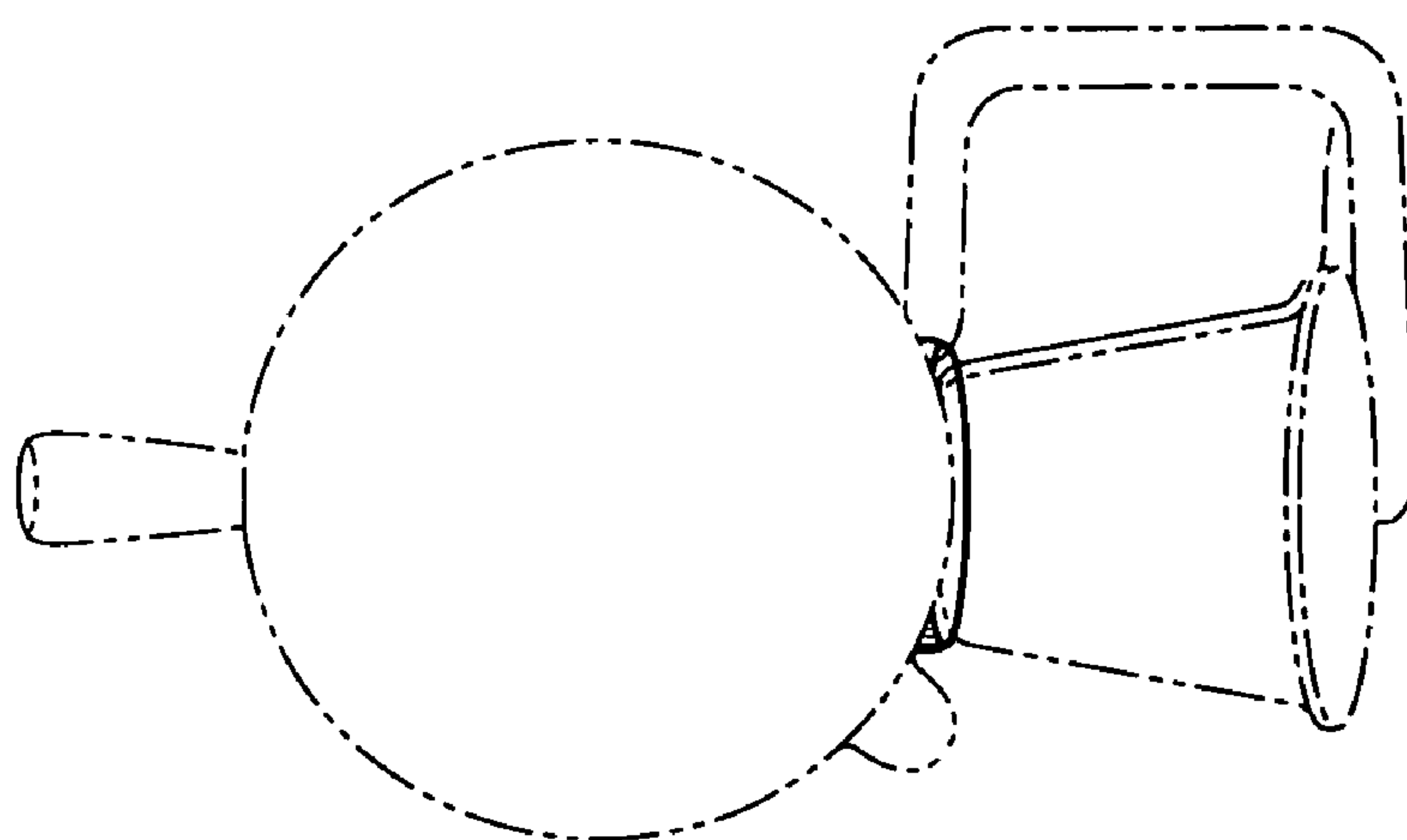


Fig. 7

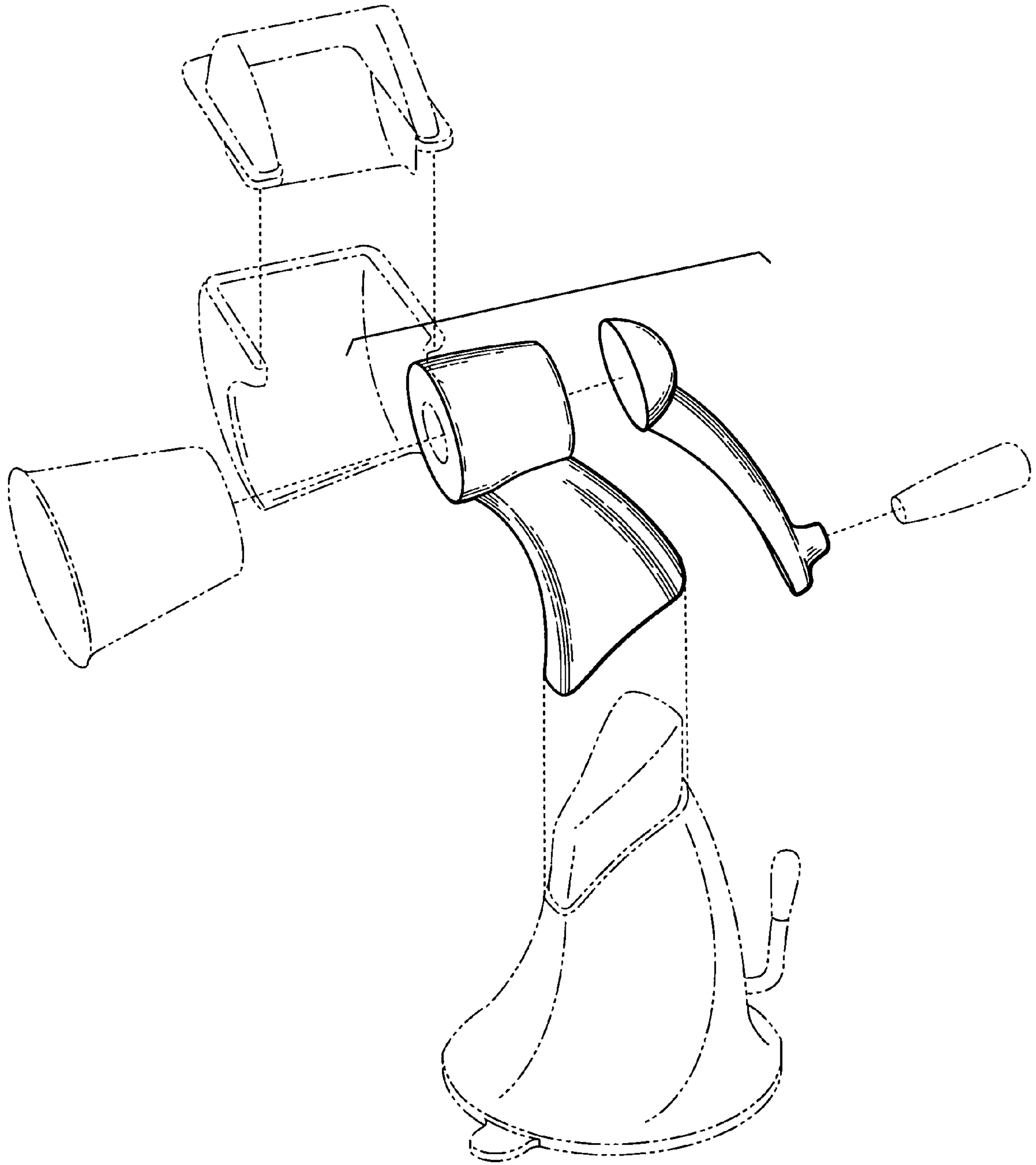


Fig. 8

Disclaimer

D. 597,785—Jeffrey S. Rohrer, Kewaskum, WI (US) SALAD CUTTER. Patent dated Aug. 11, 2009.
Disclaimer filed Jul. 17, 2010, by the assignee, Regal Ware.

Hereby enters this disclaimer to claim 1, of said patent.

(Official Gazette, August 24, 2010)