



US00D597783S

(12) **United States Design Patent**  
**Salerno**

(10) **Patent No.:** **US D597,783 S**

(45) **Date of Patent:** **\*\* Aug. 11, 2009**

(54) **DRINK WARMER**

(76) **Inventor:** **Frank Salerno**, 4053 Coleman Cir.,  
Richmond, CA (US) 94806

(\*\*) **Term:** **14 Years**

(21) **Appl. No.:** **29/317,363**

(22) **Filed:** **Apr. 28, 2008**

(51) **LOC (9) Cl.** ..... **07-02**

(52) **U.S. Cl.** ..... **D7/323**

(58) **Field of Classification Search** ..... D7/323,  
D7/355, 511-512, 507, 523, 608, 354-356;  
219/432-433, 435, 521; D9/629

See application file for complete search history.

(56) **References Cited**

**U.S. PATENT DOCUMENTS**

D73,983 S *	11/1927	Peirce	.....	D9/629
D156,725 S *	1/1950	Gettleman	.....	D7/323
D156,726 S *	1/1950	Gettleman	.....	D7/323
5,248,870 A *	9/1993	Redal	.....	219/433

**OTHER PUBLICATIONS**

Amazon.com, Search results for the term 'brandy warmer.' Online,  
Apr. 28, 2008, pp. 1-2 of 4.

\* cited by examiner

*Primary Examiner*—Catherine R Oliver

(74) *Attorney, Agent, or Firm*—PatentBest; Andrew  
McAleavey

(57) **CLAIM**

The ornamental design for a drink warmer, as shown and  
described.

**DESCRIPTION**

FIG. 1 is a perspective view of the drink warmer, illustrating  
my new design;

FIG. 2 is a front elevational view of the drink warmer;

FIG. 3 is an elevational view of one side of the drink warmer;

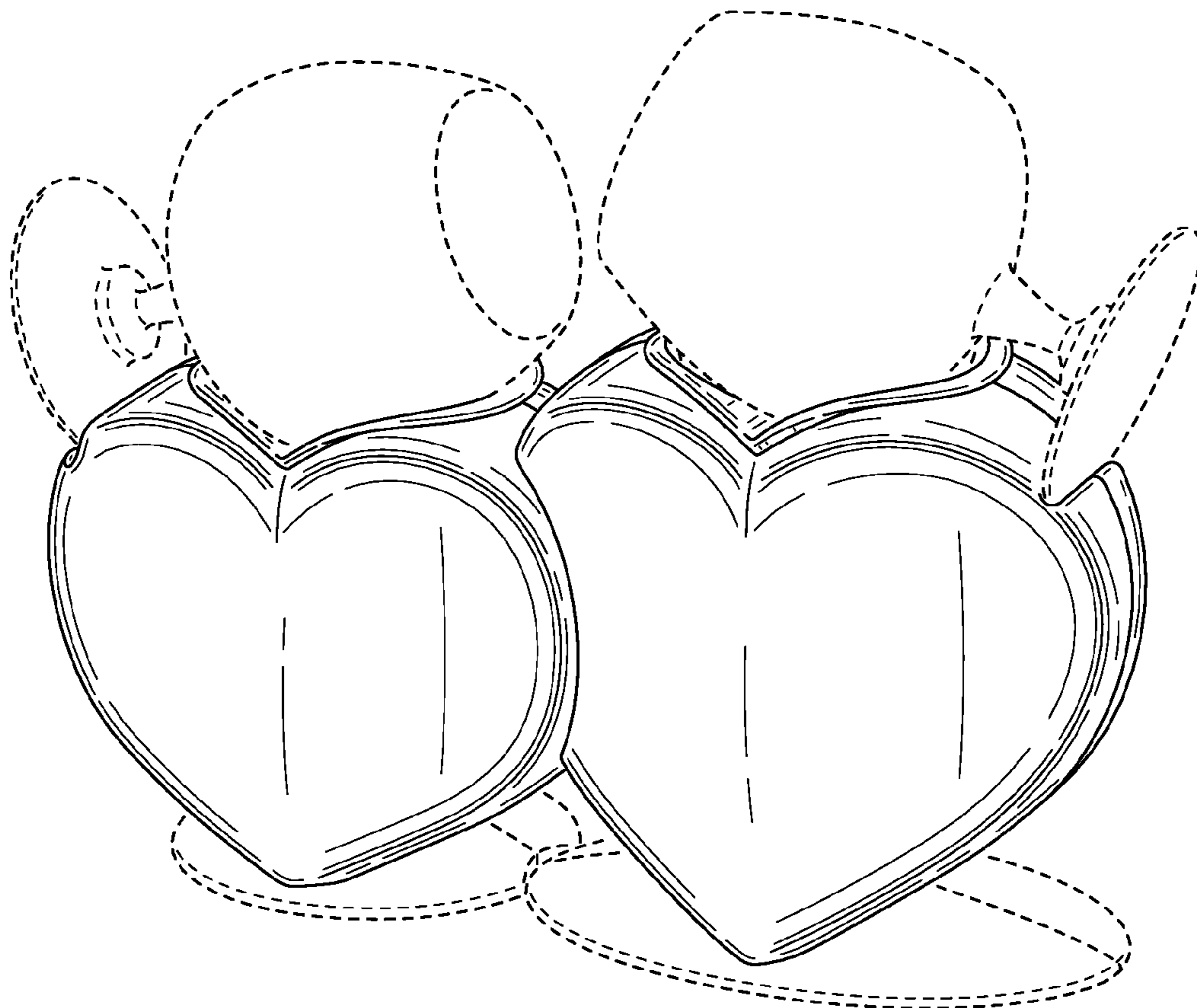
FIG. 4 is an elevational view of the other side of the drink  
warmer;

FIG. 5 is a top plan view of the drink warmer; and,

FIG. 6 is a rear elevational view of the drink warmer.

The broken lines immediately adjacent the shaded areas rep-  
resent the bounds of the claimed design, while all other bro-  
ken lines are directed to environment and are for illustrative  
purposes only; the broken lines form no part of the claimed  
design.

**1 Claim, 4 Drawing Sheets**



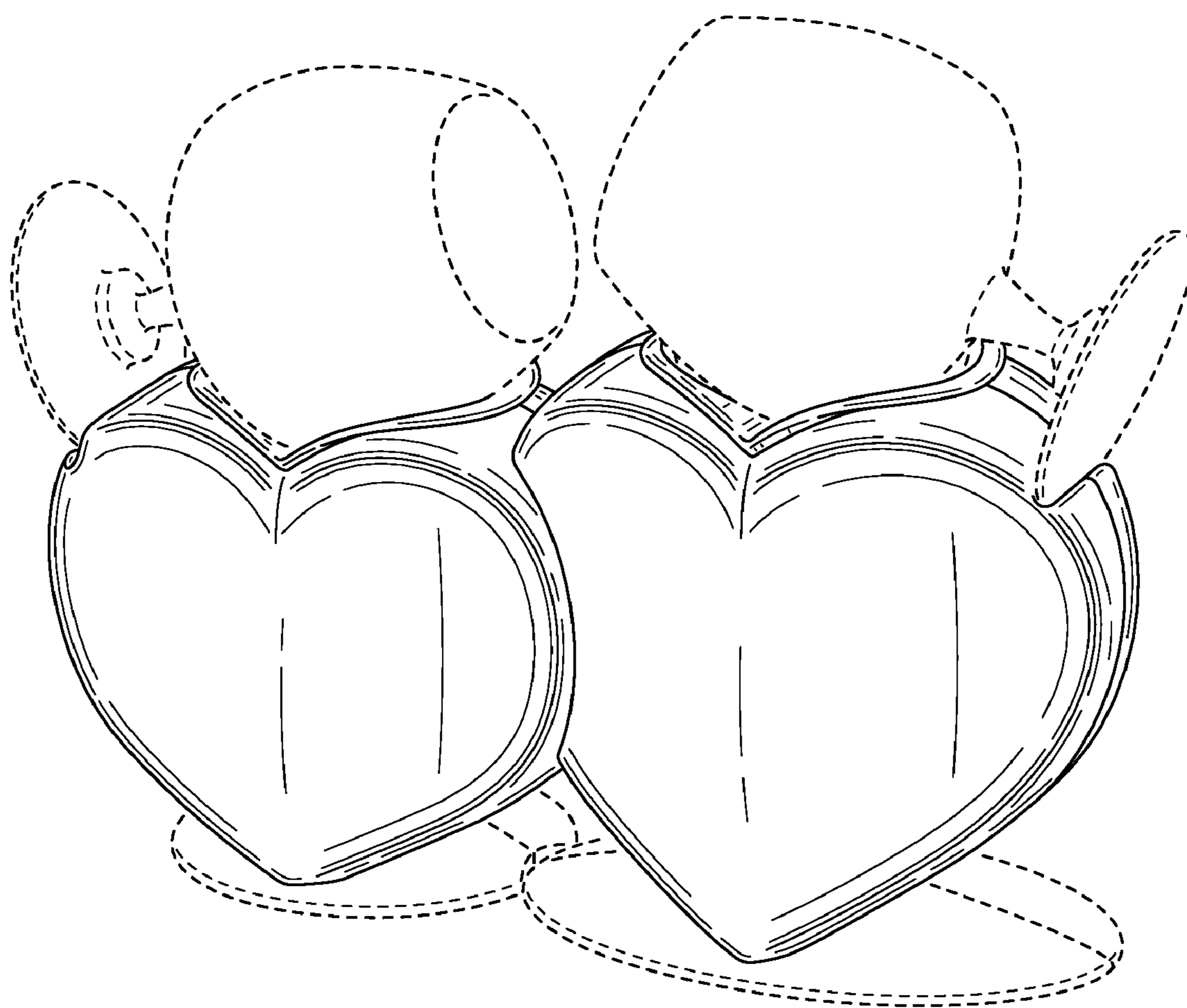


FIG. 1

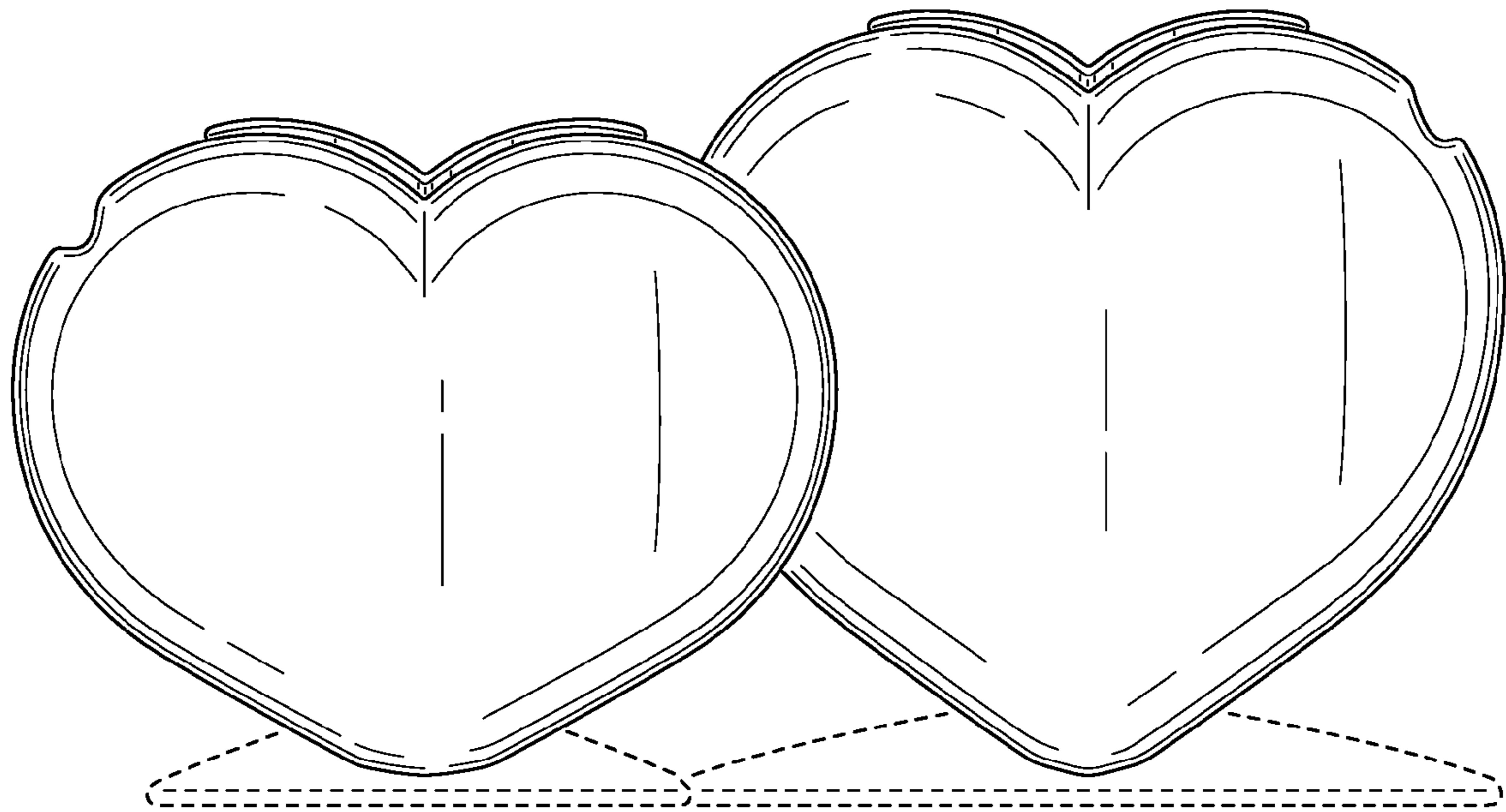


FIG. 2

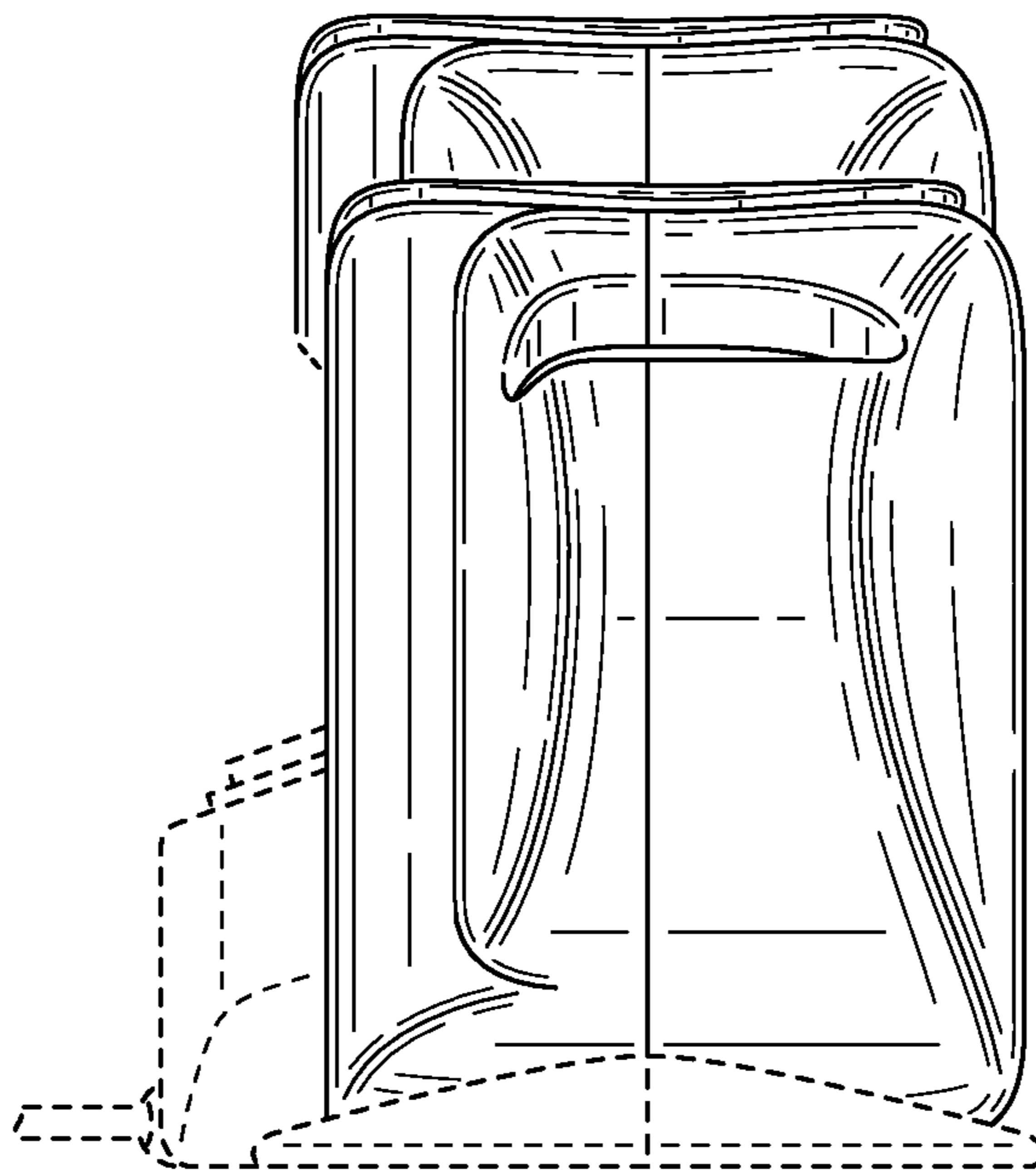


FIG. 3

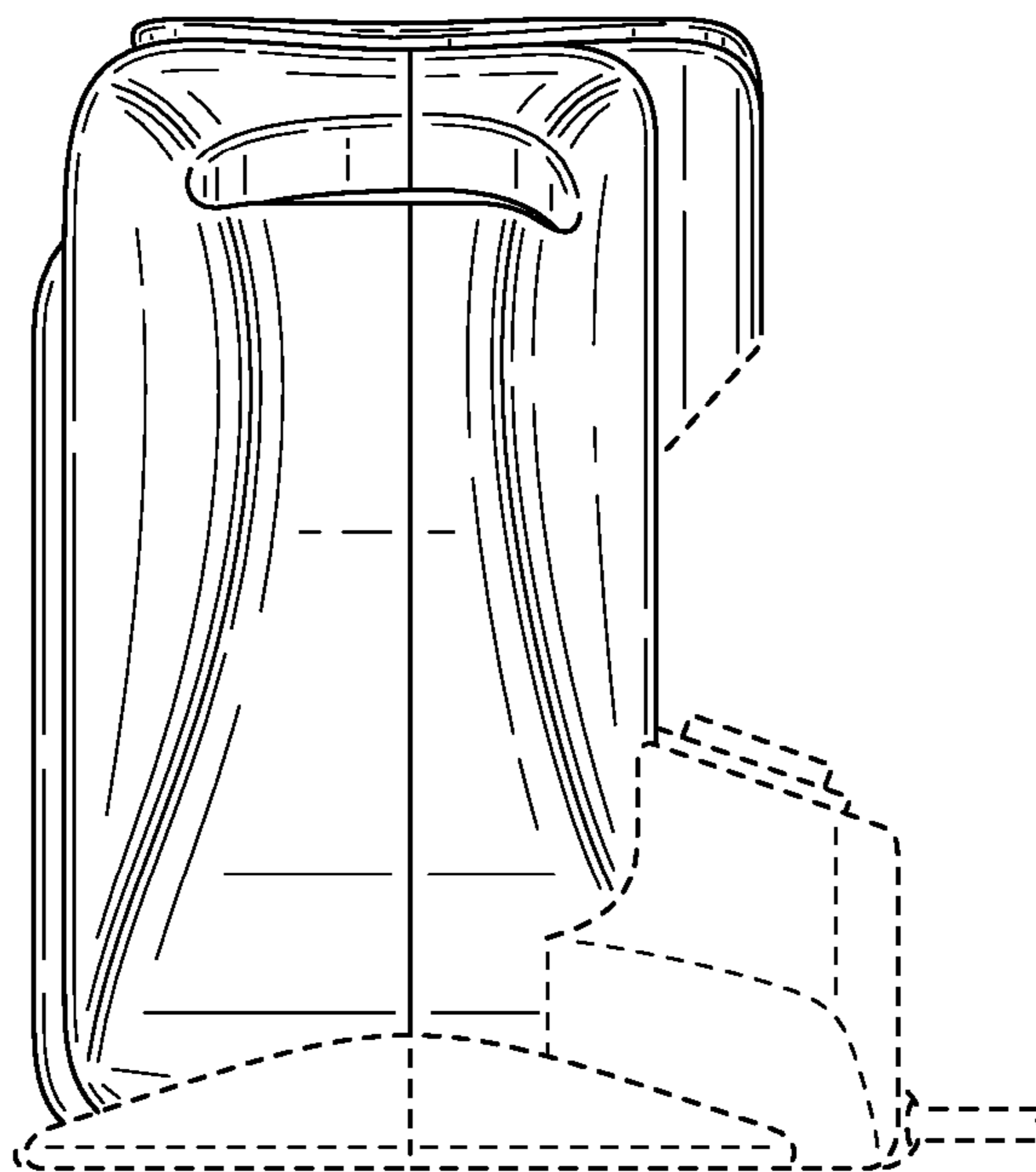


FIG. 4

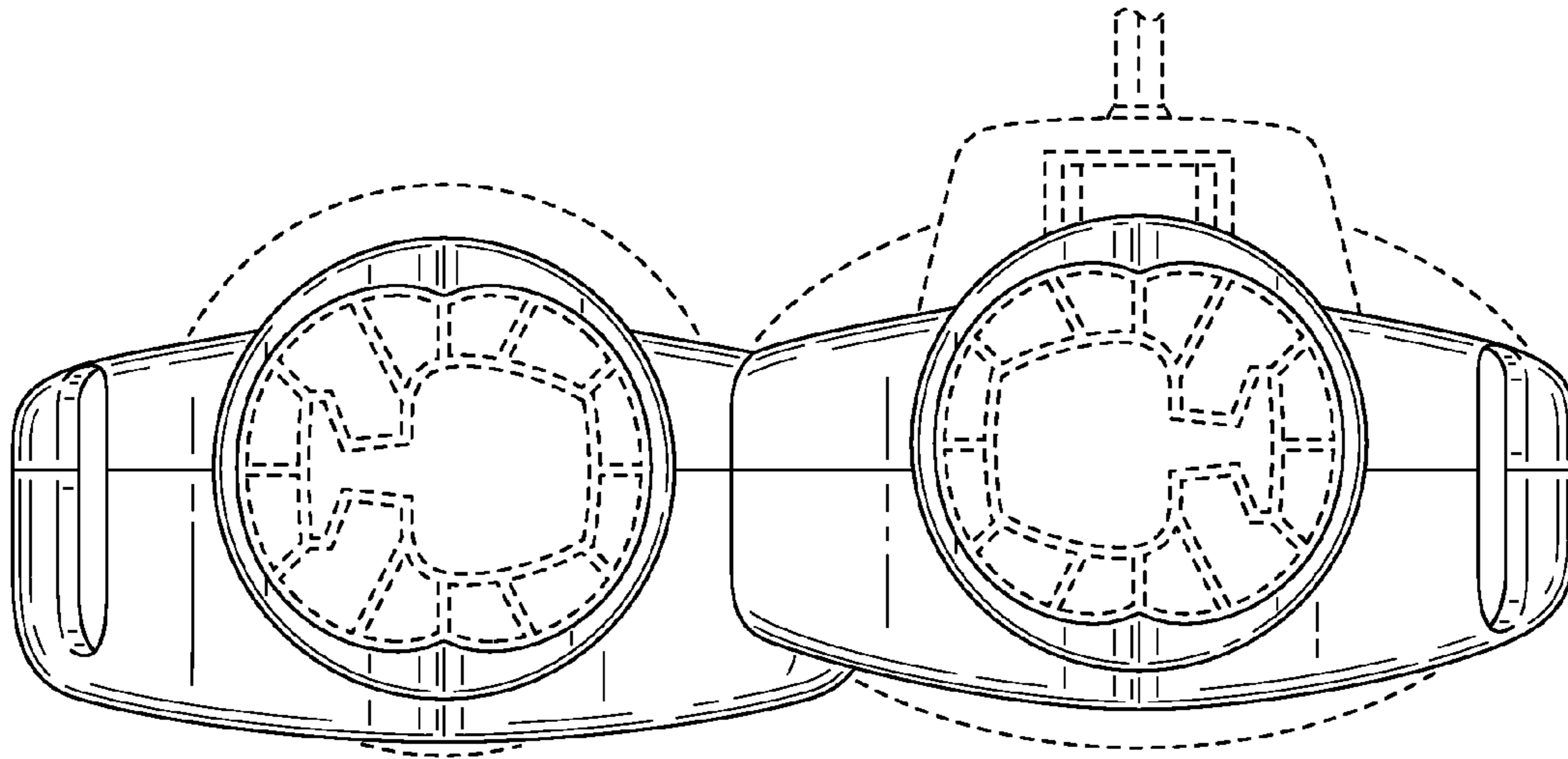


FIG. 5

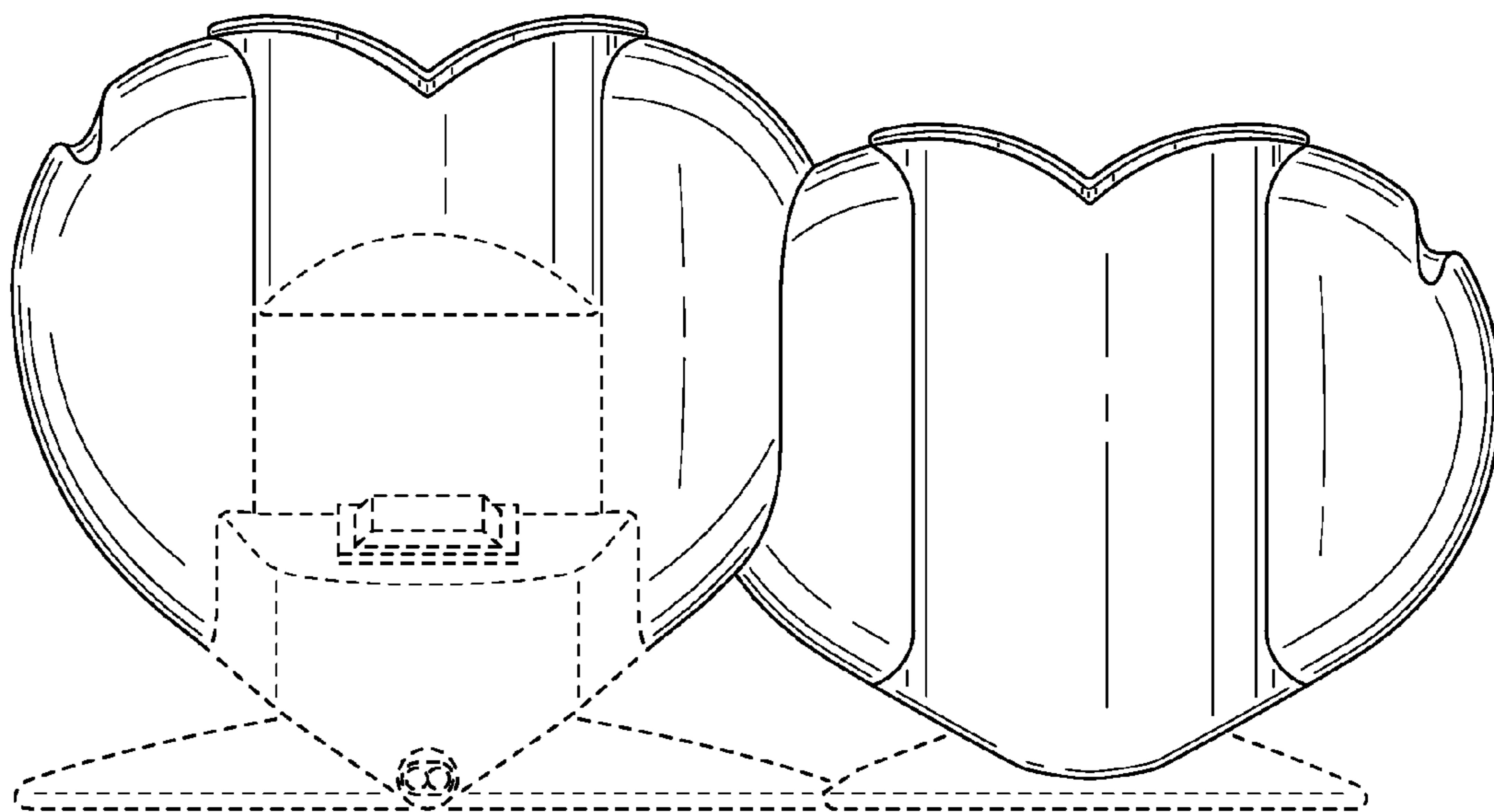


FIG. 6