



US00D597782S

(12) **United States Design Patent**  
**Webster et al.**

(10) **Patent No.:** **US D597,782 S**  
(45) **Date of Patent:** **\*\* Aug. 11, 2009**

(54) **DECORATIVE BREWER**

(75) Inventors: **Joseph P. Webster**, St. Charles County,  
MO (US); **Jody Jacobson**, St. Charles  
County, MO (US)

(73) Assignee: **Newco Regency Corporation**, St.  
Charles, MO (US)

(\*\*) Term: **14 Years**

(21) Appl. No.: **29/312,989**

(22) Filed: **Nov. 23, 2008**

**Related U.S. Application Data**

(62) Division of application No. 29/289,209, filed on Jul.  
11, 2007, now Pat. No. Des. 584,098.

(51) **LOC (9) Cl.** ..... **07-01**

(52) **U.S. Cl.** ..... **D7/309; D7/306; D7/311**

(58) **Field of Classification Search** ..... D7/300,  
D7/306-309.284, 295, 281, 290; 99/280,  
99/307, 284, 295, 281, 290

See application file for complete search history.

(56) **References Cited**

**U.S. PATENT DOCUMENTS**

D209,125	S	*	10/1967	Martin	.....	D7/309
3,385,201	A	*	5/1968	Martin	.....	99/282
D229,158	S	*	11/1973	Marotta	.....	D7/309
3,978,778	A	*	9/1976	Roberts	.....	99/281
D243,501	S	*	3/1977	Painter	.....	D7/309
4,069,750	A	*	1/1978	Kemp	.....	99/280
D253,987	S	*	1/1980	Painter	.....	D7/309
4,218,965	A	*	8/1980	Petry	.....	99/283
D269,488	S	*	6/1983	Marotta	.....	D7/309
D274,029	S	*	5/1984	Daugherty	.....	D7/309
4,478,139	A	*	10/1984	Zimmerman	.....	99/280
D288,887	S	*	3/1987	Schultz, Sr.	.....	D7/309

4,725,714	A	*	2/1988	Naya et al.	.....	392/480
D298,996	S	*	12/1988	Van Camp et al.	.....	D7/309
4,829,888	A	*	5/1989	Webster et al.	.....	99/284
4,892,031	A	*	1/1990	Webster et al.	.....	99/284
4,917,005	A	*	4/1990	Knepler	.....	99/280
D316,795	S	*	5/1991	Brewer	.....	D7/308
5,063,836	A	*	11/1991	Patel	.....	99/281
5,916,351	A	*	6/1999	Sintchak	.....	99/284
D432,861	S	*	10/2000	Lord et al.	.....	D7/397
D454,023	S	*	3/2002	Wang	.....	D7/309
D481,902	S	*	11/2003	O'Connor et al.	.....	D7/309
D484,734	S	*	1/2004	Drobeck	.....	D7/309
D496,213	S	*	9/2004	Midden et al.	.....	D7/309
D502,841	S	*	3/2005	Santer	.....	D7/379

\* cited by examiner

*Primary Examiner*—Marianne Pandozzi

(74) *Attorney, Agent, or Firm*—Paul M Denk

(57) **CLAIM**

The ornamental design for the decorative brewer, as shown  
and described.

**DESCRIPTION**

FIG. 1 is a perspective view of a Decorative Brewer showing  
my new design;

FIG. 2 is a front view thereof;

FIG. 3 is a rear view;

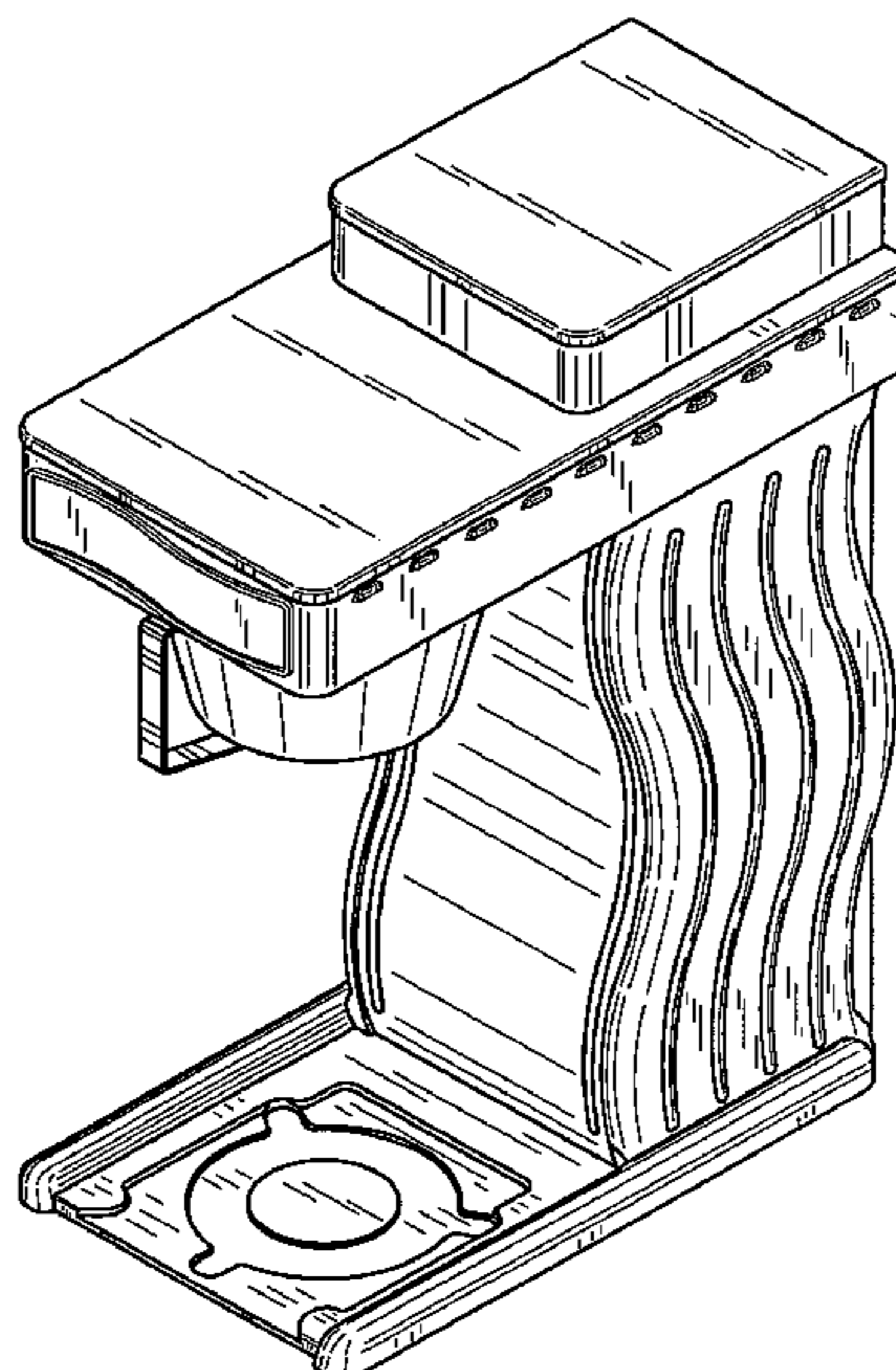
FIG. 4 is a right side view, the left side view being a mirror  
image thereof;

FIG. 5 is a top plan view;

FIG. 6 is a bottom view; and,

FIG. 7 is a perspective view of a Decorative Brewer showing  
a second embodiment of our new design, all other sides being  
the same as the first embodiment save for the front control  
panel.

**1 Claim, 4 Drawing Sheets**



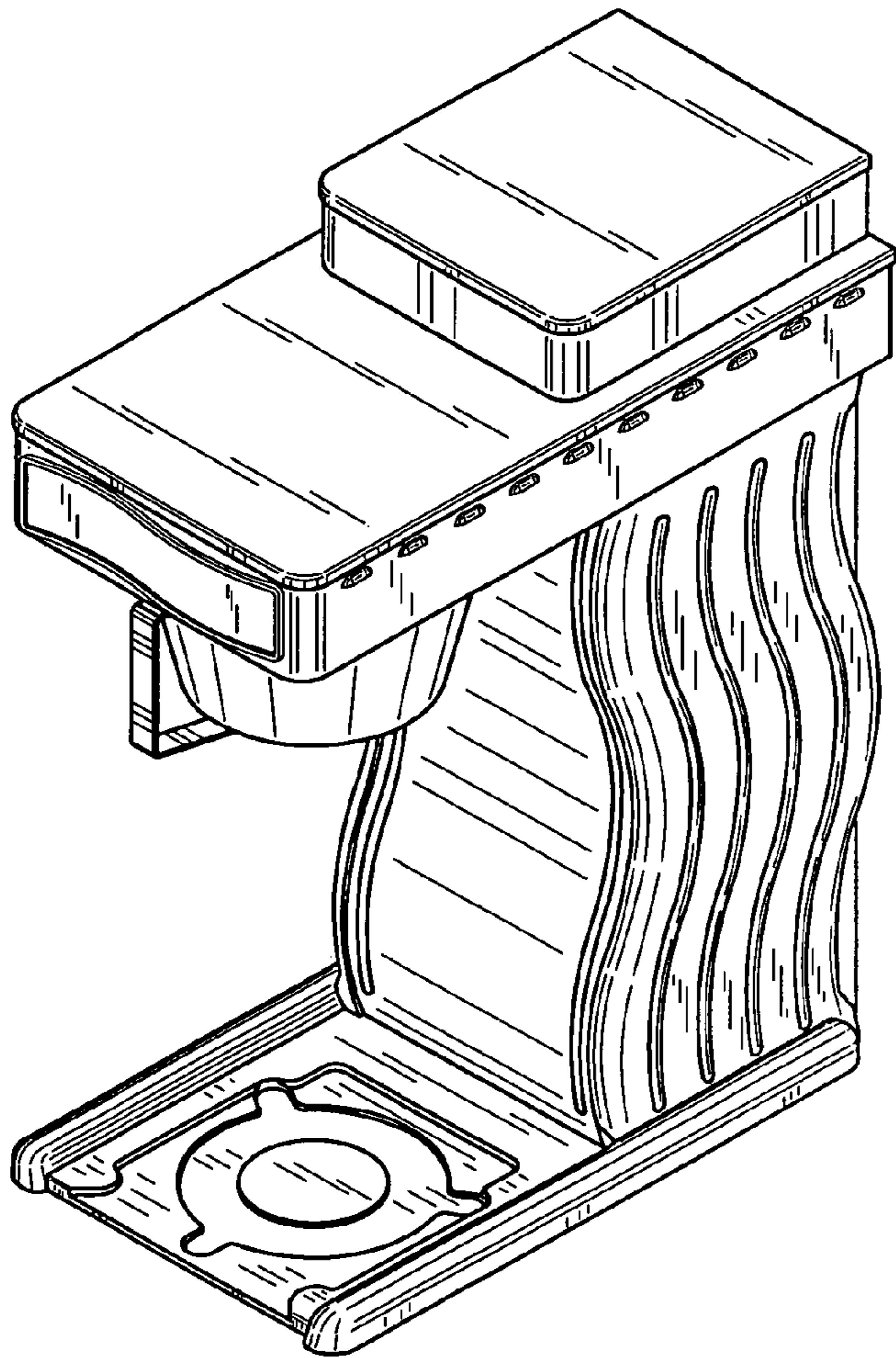


FIG. 1

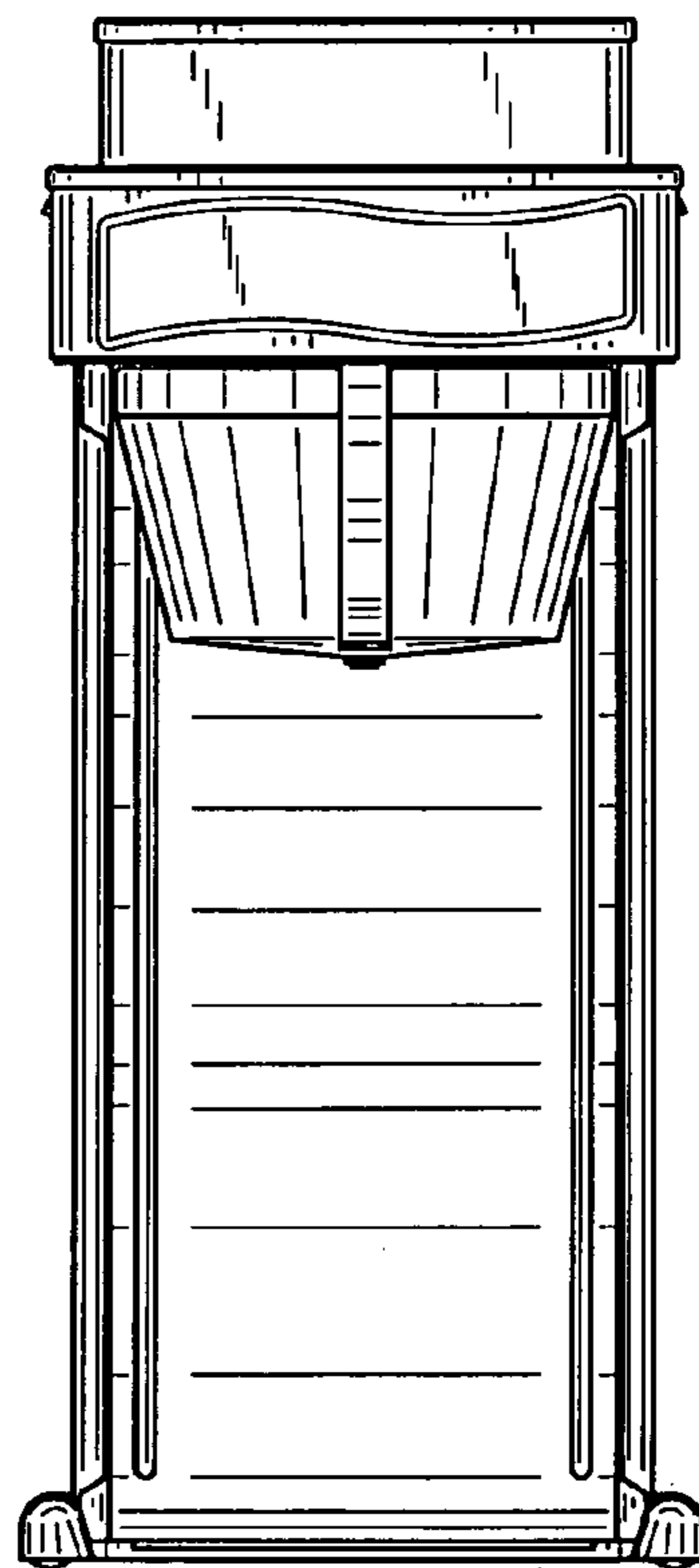


FIG. 2

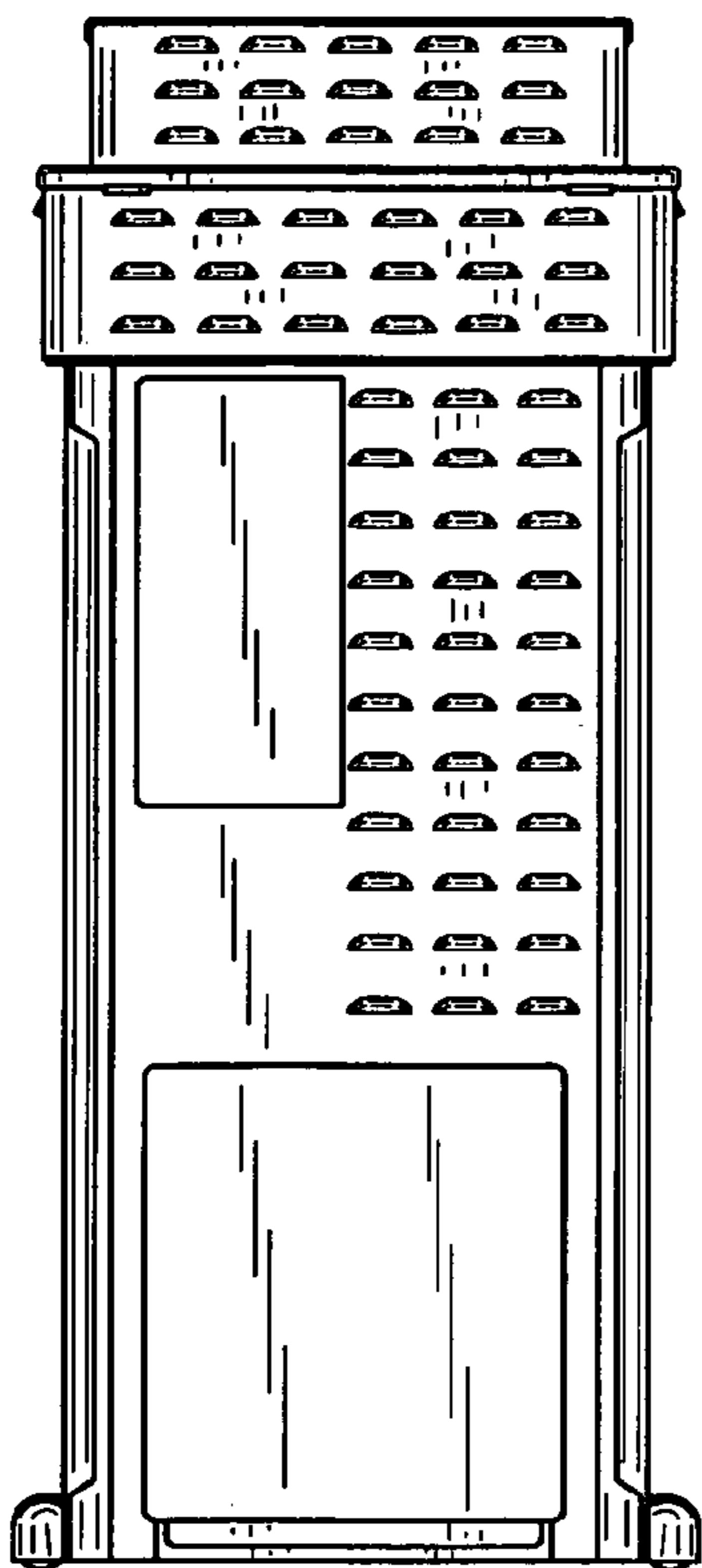


FIG. 3

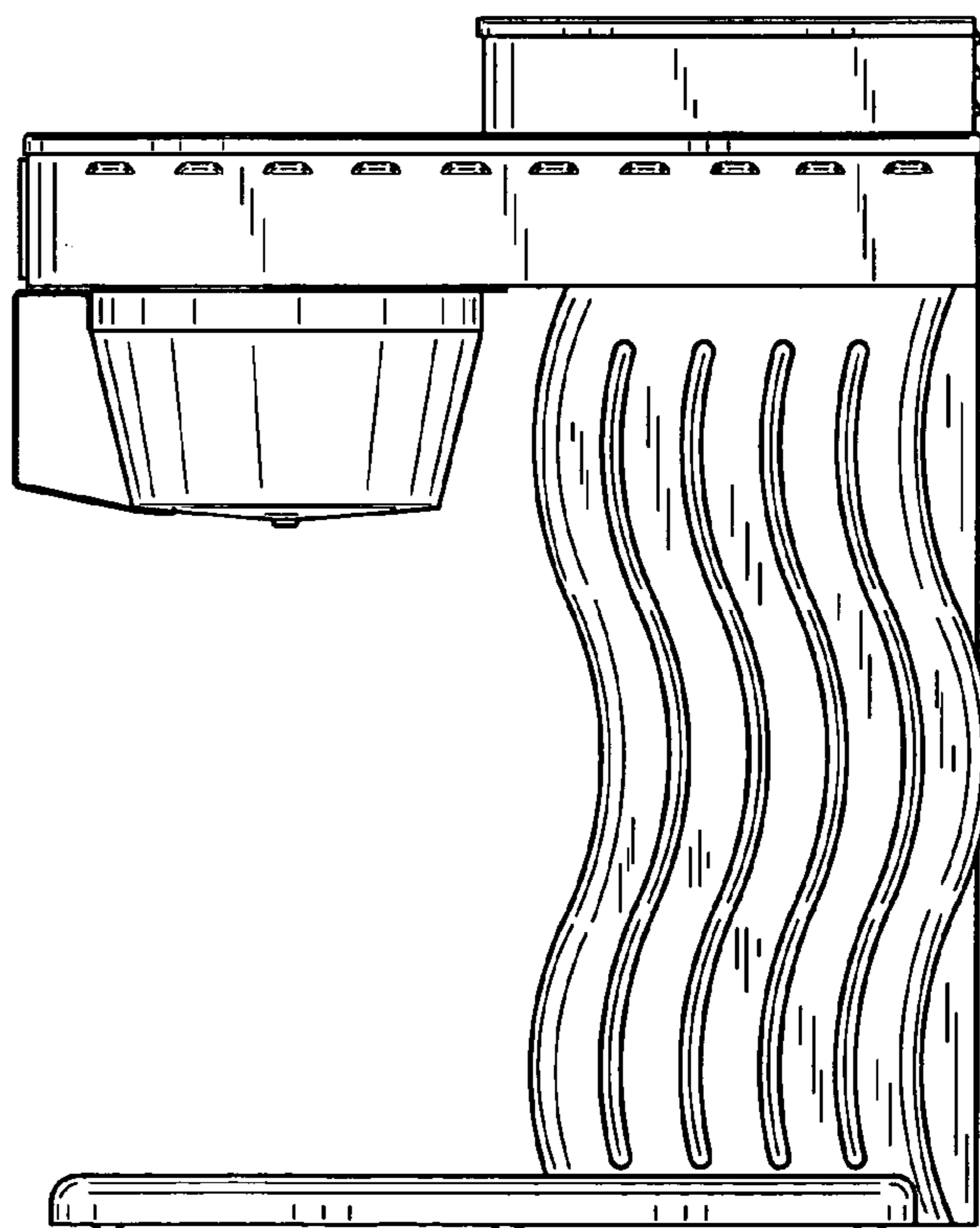


FIG. 4

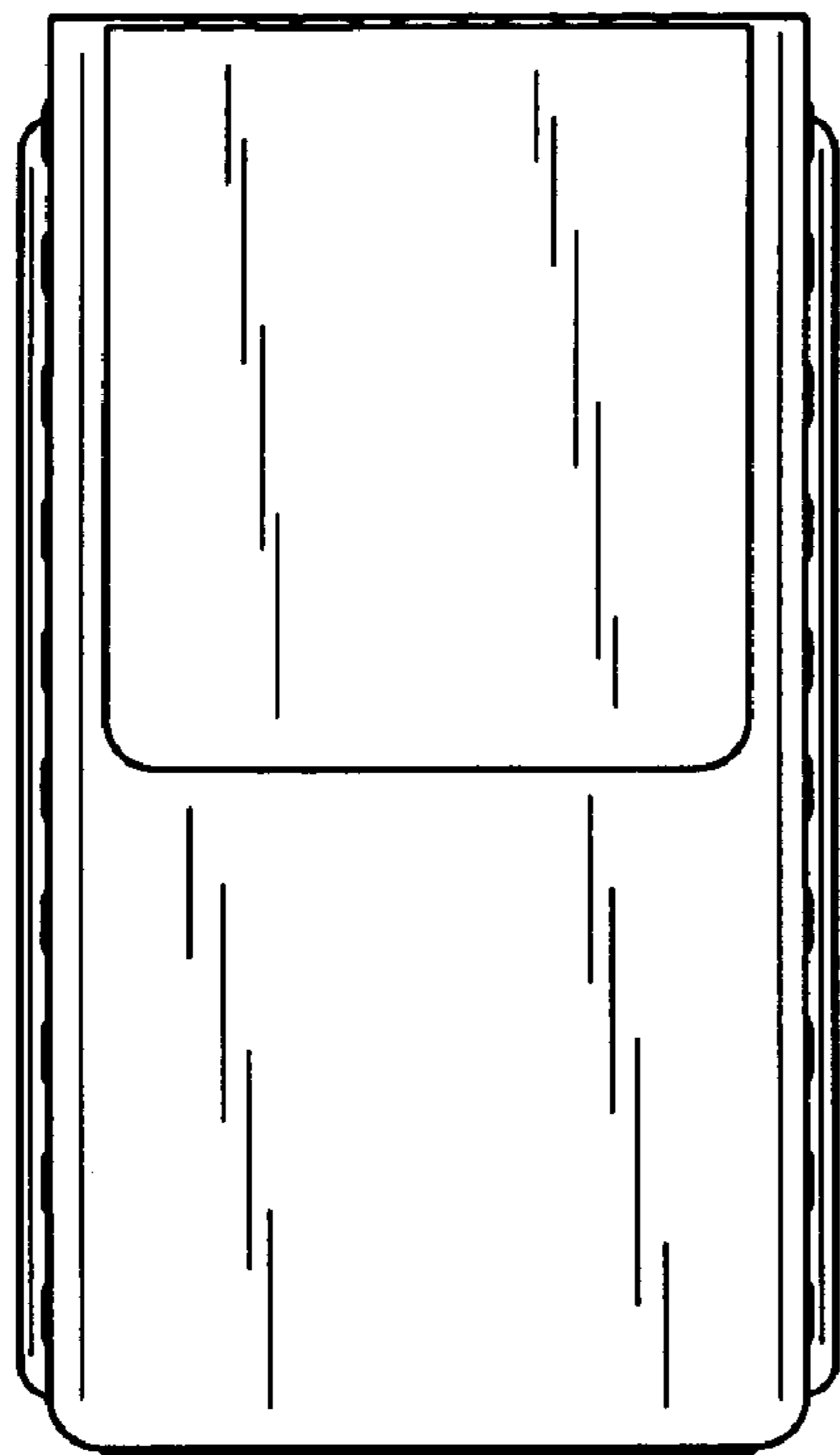


FIG. 5

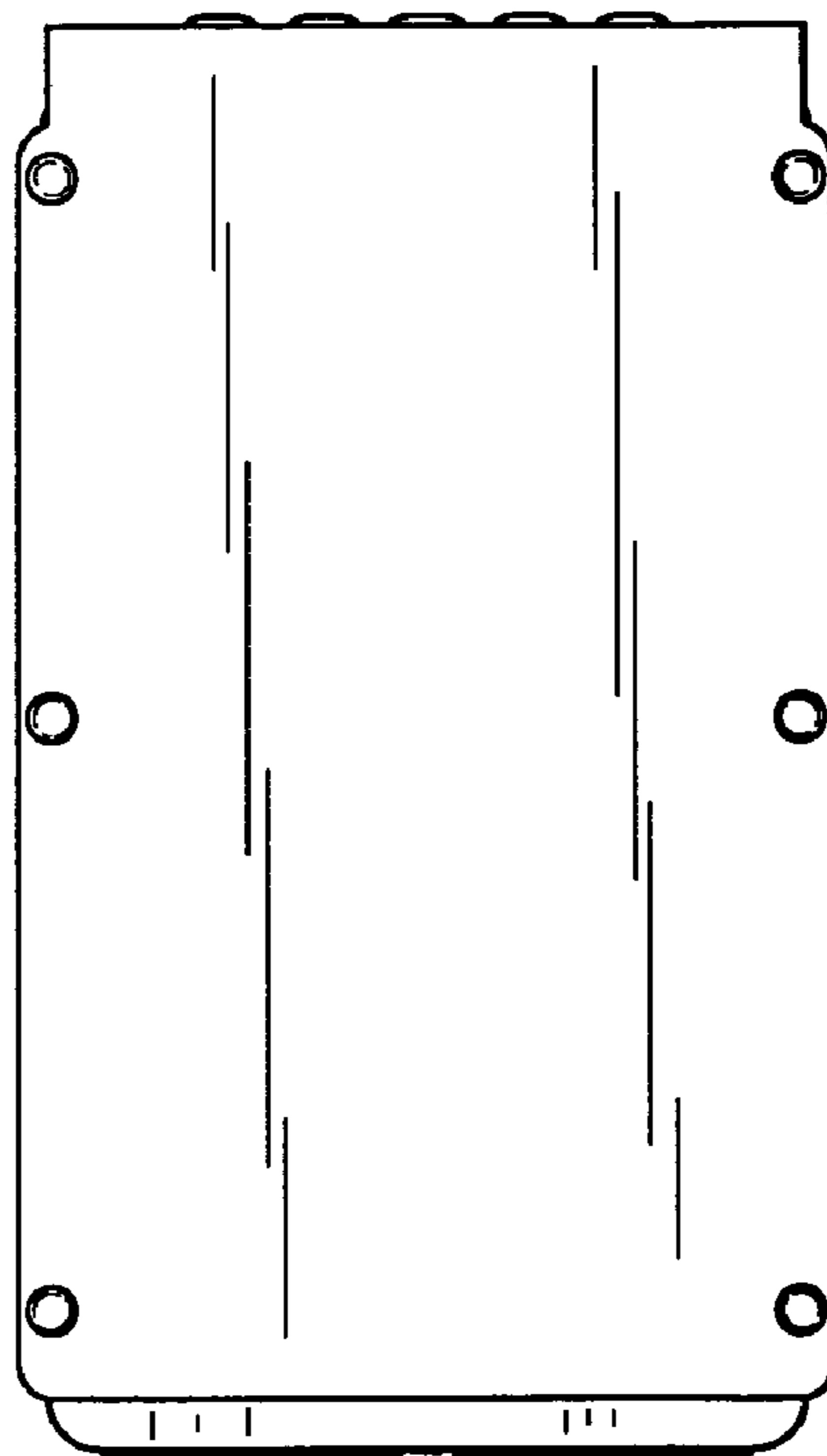


FIG. 6



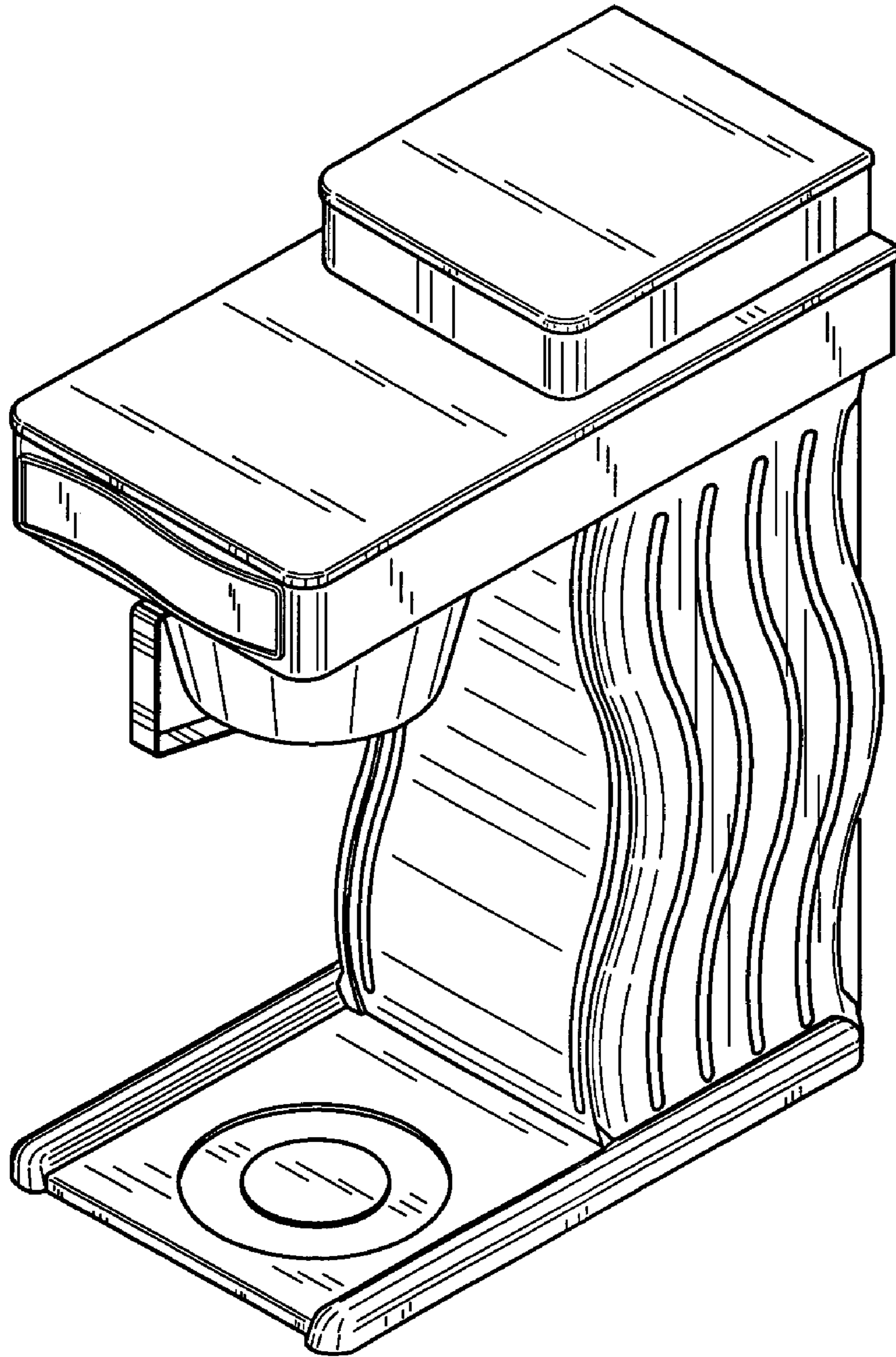


FIG. 7

UNITED STATES PATENT AND TRADEMARK OFFICE  
**CERTIFICATE OF CORRECTION**

PATENT NO. : Des. 597,782 S  
APPLICATION NO. : 29/312989  
DATED : August 11, 2009  
INVENTOR(S) : Joseph P. Webster and Jody Jacobson

Page 1 of 1

It is certified that error appears in the above-identified patent and that said Letters Patent is hereby corrected as shown below:

Title page, item [73] should read as follows:  
FROM Newco Regency Corporation  
TO Newco Research Corporation

Signed and Sealed this

Thirteenth Day of October, 2009

A handwritten signature in black ink that reads "David J. Kappos". The signature is written in a cursive, slightly slanted style.

David J. Kappos  
*Director of the United States Patent and Trademark Office*

UNITED STATES PATENT AND TRADEMARK OFFICE  
**CERTIFICATE OF CORRECTION**

PATENT NO. : Des. 597,782 S  
APPLICATION NO. : 29/312989  
DATED : August 11, 2009  
INVENTOR(S) : Joseph P. Webster and Jody Jacobson

Page 1 of 1

It is certified that error appears in the above-identified patent and that said Letters Patent is hereby corrected as shown below:

Please change title page, item (73) Assignee: "Regency" to --Research--.

Signed and Sealed this

Seventeenth Day of November, 2009

A handwritten signature in black ink that reads "David J. Kappos". The signature is written in a cursive, slightly slanted style.

David J. Kappos  
*Director of the United States Patent and Trademark Office*