

US00D597781S

(12) **United States Design Patent**  
**Siu**

(10) **Patent No.:** **US D597,781 S**

(45) **Date of Patent:** **\*\* Aug. 11, 2009**

(54) **ESPRESSO MAKER**

(75) Inventor: **Eddie Siu**, Chifley (AU)

(73) Assignee: **Breville Pty Limited**, Botany, New

(\*\*) Term: **14 Years**

(21) Appl. No.: **29/246,499**

(22) Filed: **Jun. 6, 2008**

(30) **Foreign Application Priority Data**

Oct. 21, 2005 (AU) ..... 14618/2005

(51) **LOC (9) Cl.** ..... **07-01**

(52) **U.S. Cl.** ..... **D7/309; D7/311**

(58) **Field of Classification Search** ..... D7/300,  
D7/306-308, 309-311; D15/80; D20/4;  
99/295, 293, 323.1, 279

See application file for complete search history.

(56) **References Cited**

**U.S. PATENT DOCUMENTS**

D323,949 S *	2/1992	Kahlcke	.....	D7/309
D324,621 S *	3/1992	Haslacher	.....	D7/309
D336,206 S *	6/1993	Littmann	.....	D7/309
D354,193 S *	1/1995	Storsberg	.....	D7/309
D360,802 S *	8/1995	Seiffert	.....	D7/309
D364,306 S *	11/1995	Storsberg	.....	D7/309
D431,750 S *	10/2000	Cahen	.....	D7/309
D449,198 S *	10/2001	Cahen	.....	D7/309
D449,199 S *	10/2001	Cahen	.....	D7/309

D449,488 S *	10/2001	Cahen	.....	D7/309
D477,963 S *	8/2003	Cahen	.....	D7/309
D535,513 S *	1/2007	Zimmermann	.....	D7/309
D556,495 S *	12/2007	Davenport	.....	D7/309
D575,977 S *	9/2008	Rose	.....	D7/309
D586,170 S *	2/2009	Jordana	.....	D7/309

\* cited by examiner

*Primary Examiner*—Marianne Pandozzi  
(74) *Attorney, Agent, or Firm*—Molins & Co.

(57) **CLAIM**

The ornamental design for an espresso maker, as shown and described.

**DESCRIPTION**

FIG. 1 is a front view of an espresso maker showing my new design;

FIG. 2 is a top plan view thereof;

FIG. 3 is a right side elevational view thereof;

FIG. 4 is a bottom plan view thereof;

FIG. 5 is a left side elevational view thereof;

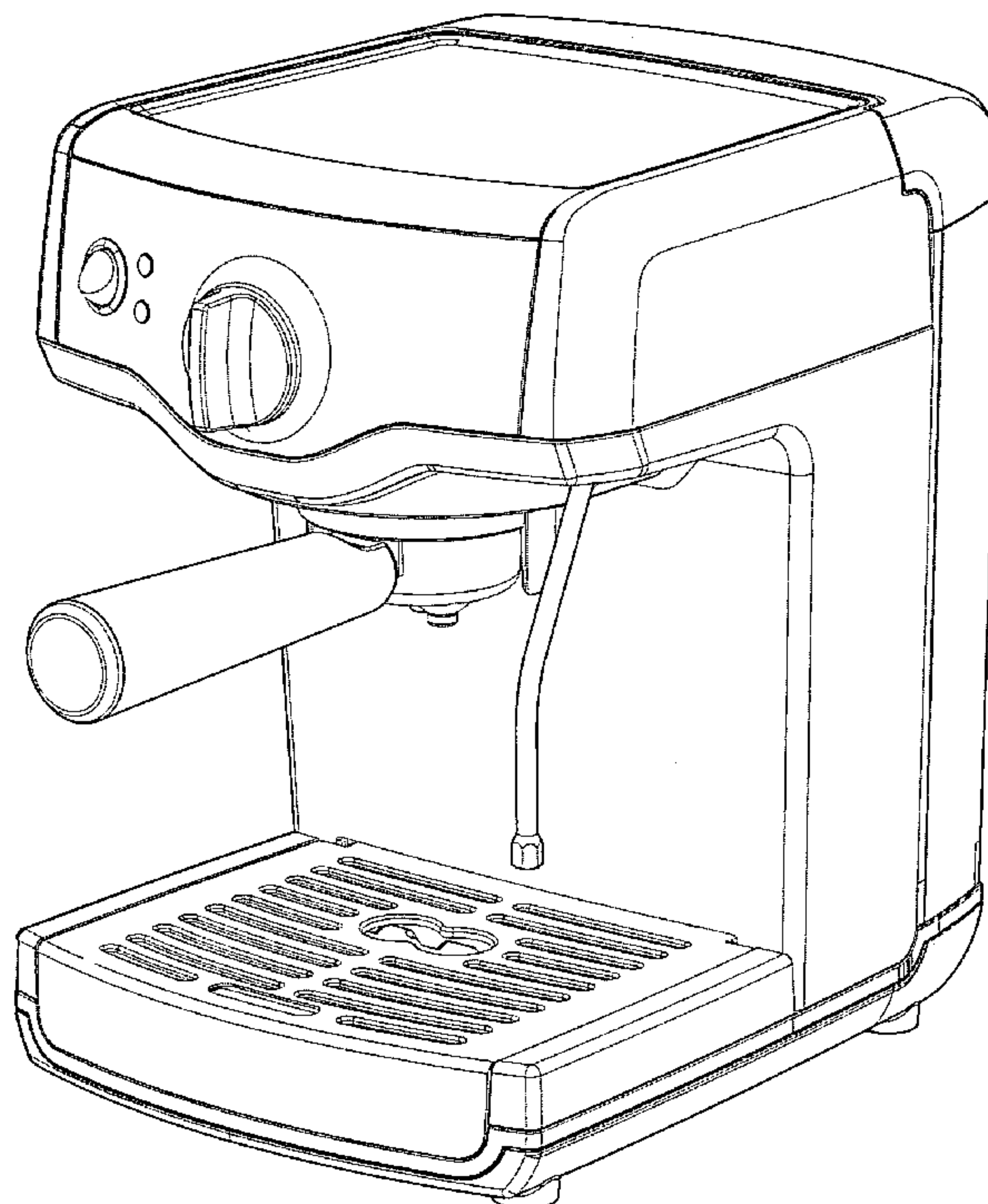
FIG. 6 is a rear elevational view thereof;

FIG. 7 is a right side perspective view thereof; and,

FIG. 8 is a left side perspective view thereof.

The broken lines in the drawings are included for the purpose of illustration and form no part of the claimed design.

**1 Claim, 8 Drawing Sheets**



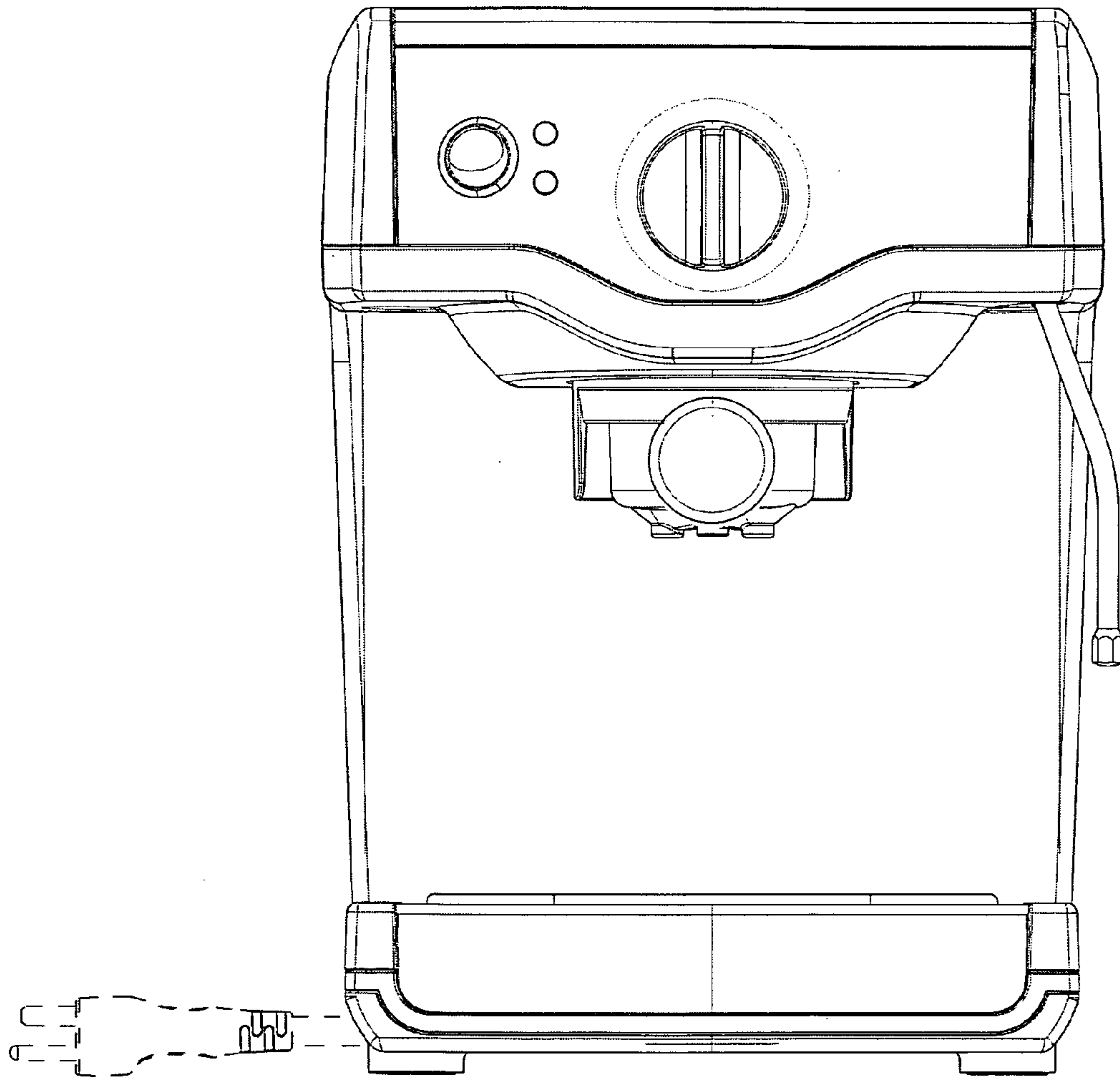


FIG. 1

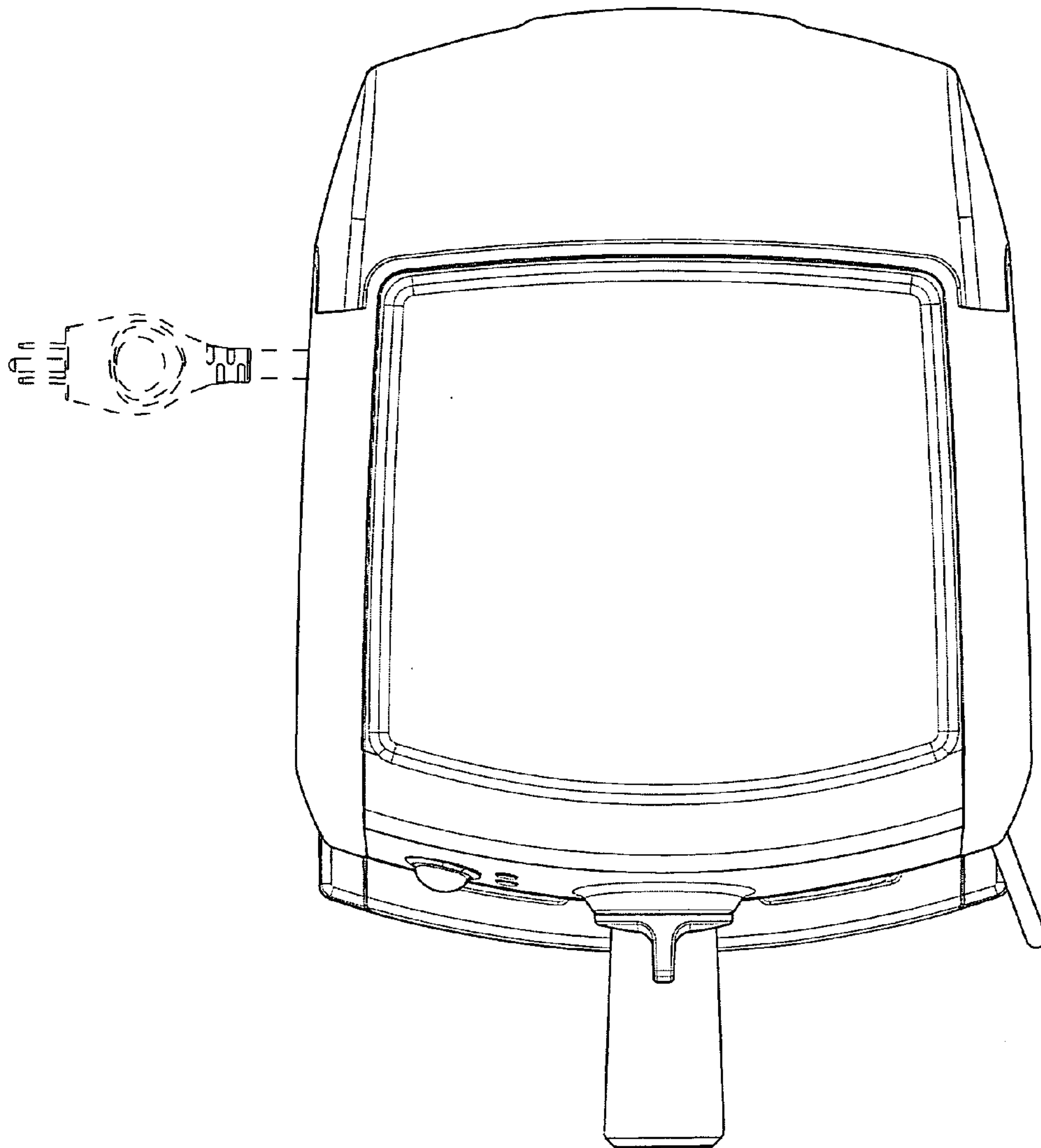


FIG. 2

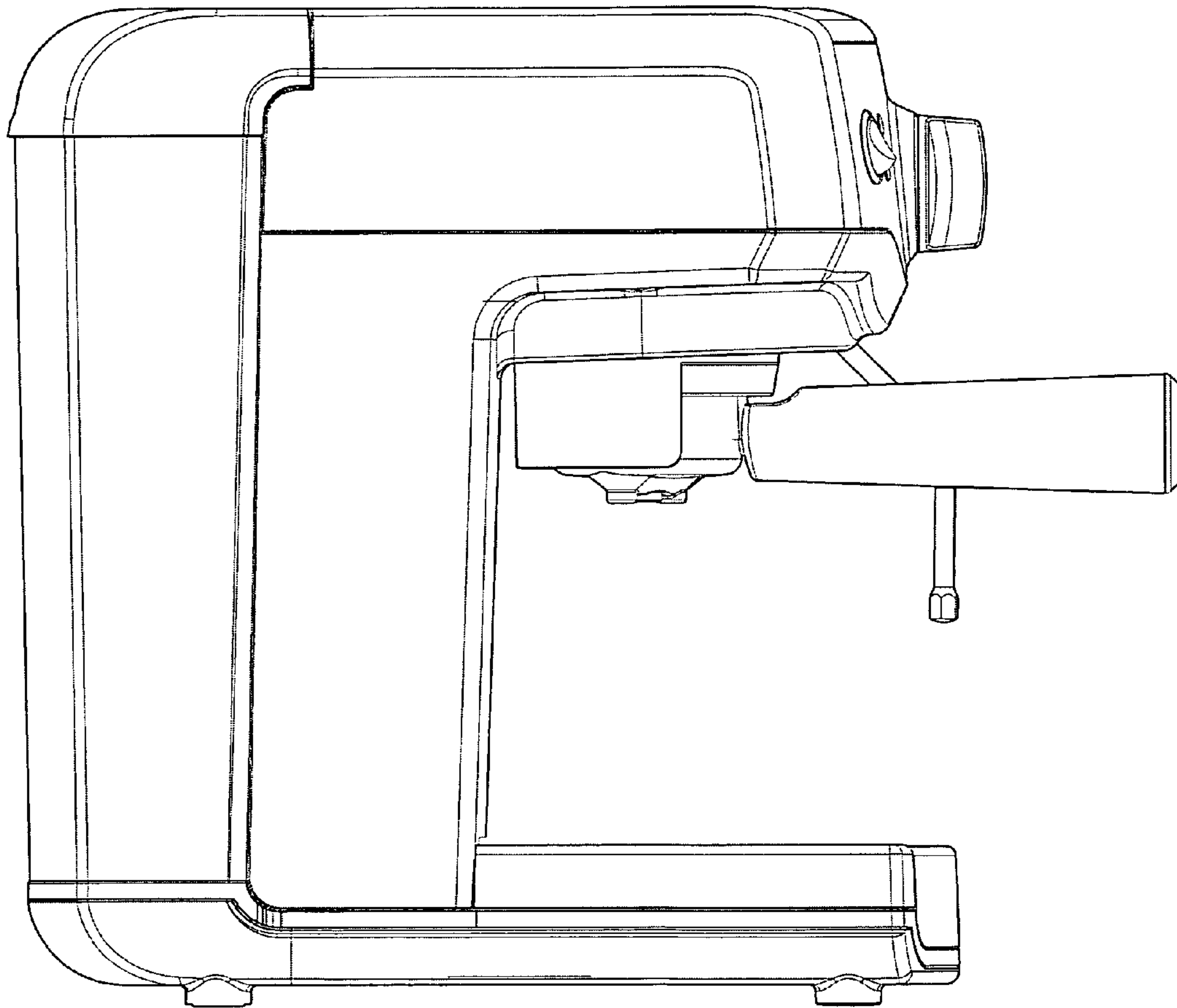


FIG. 3

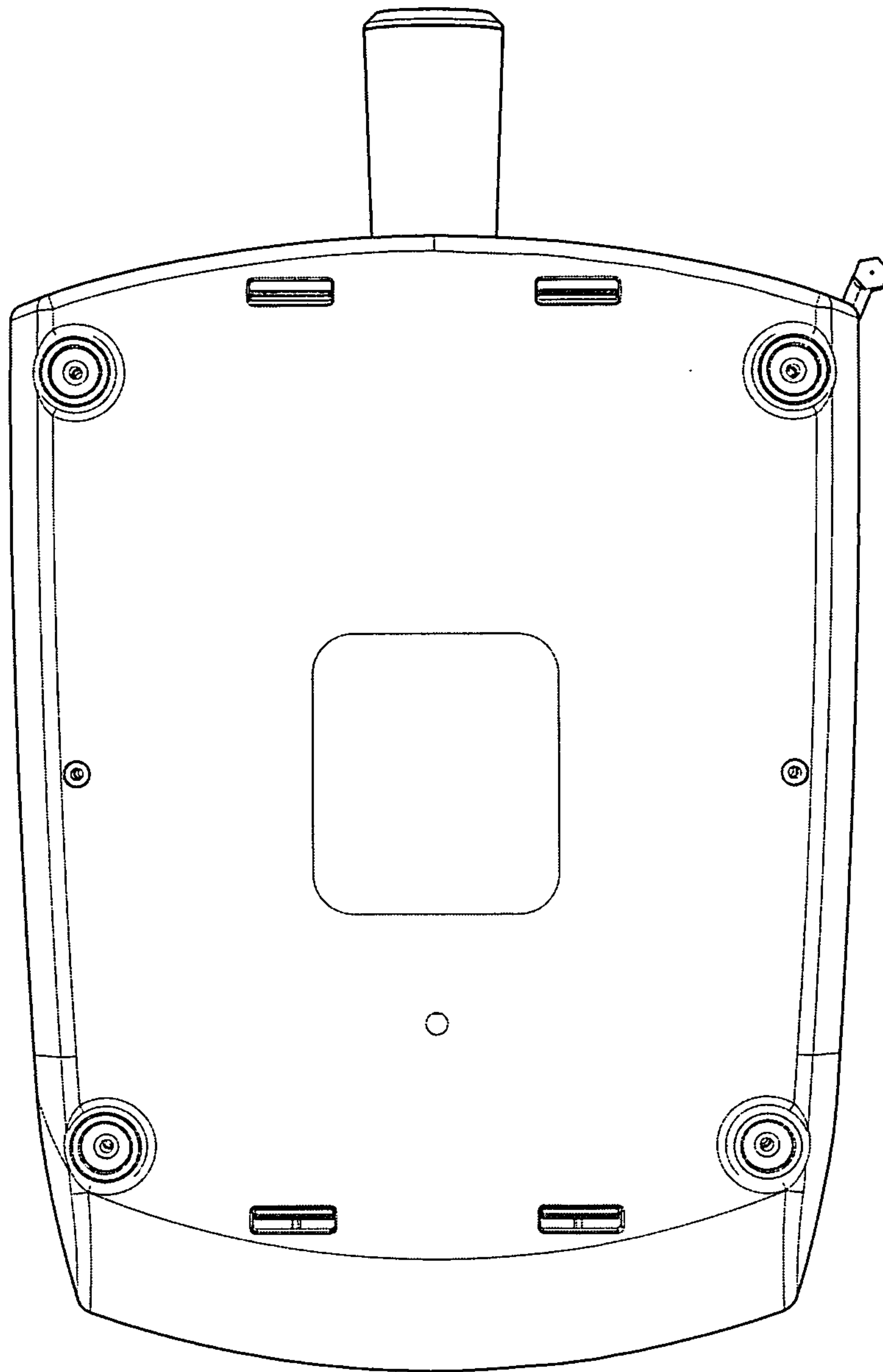


FIG. 4

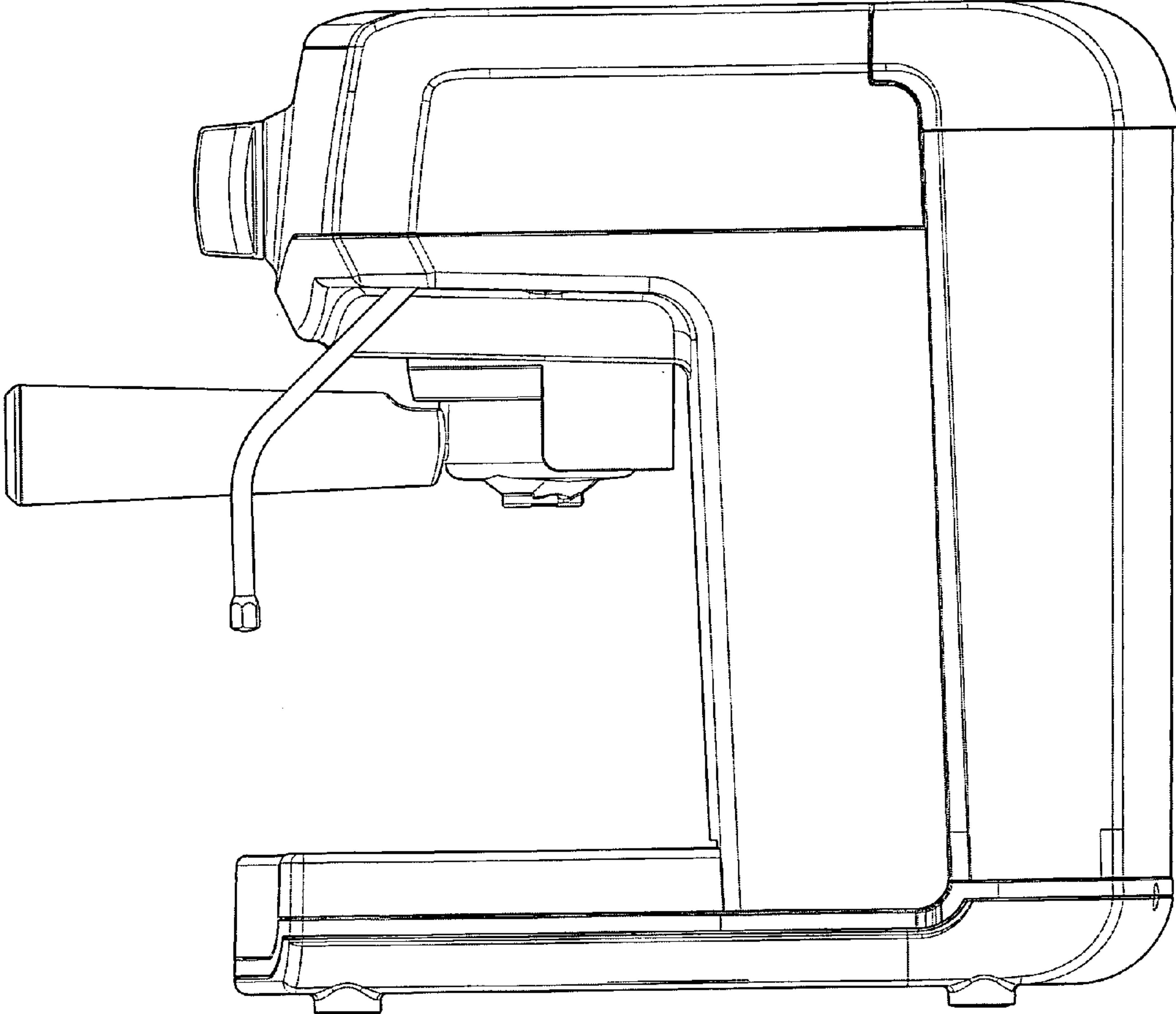


FIG. 5



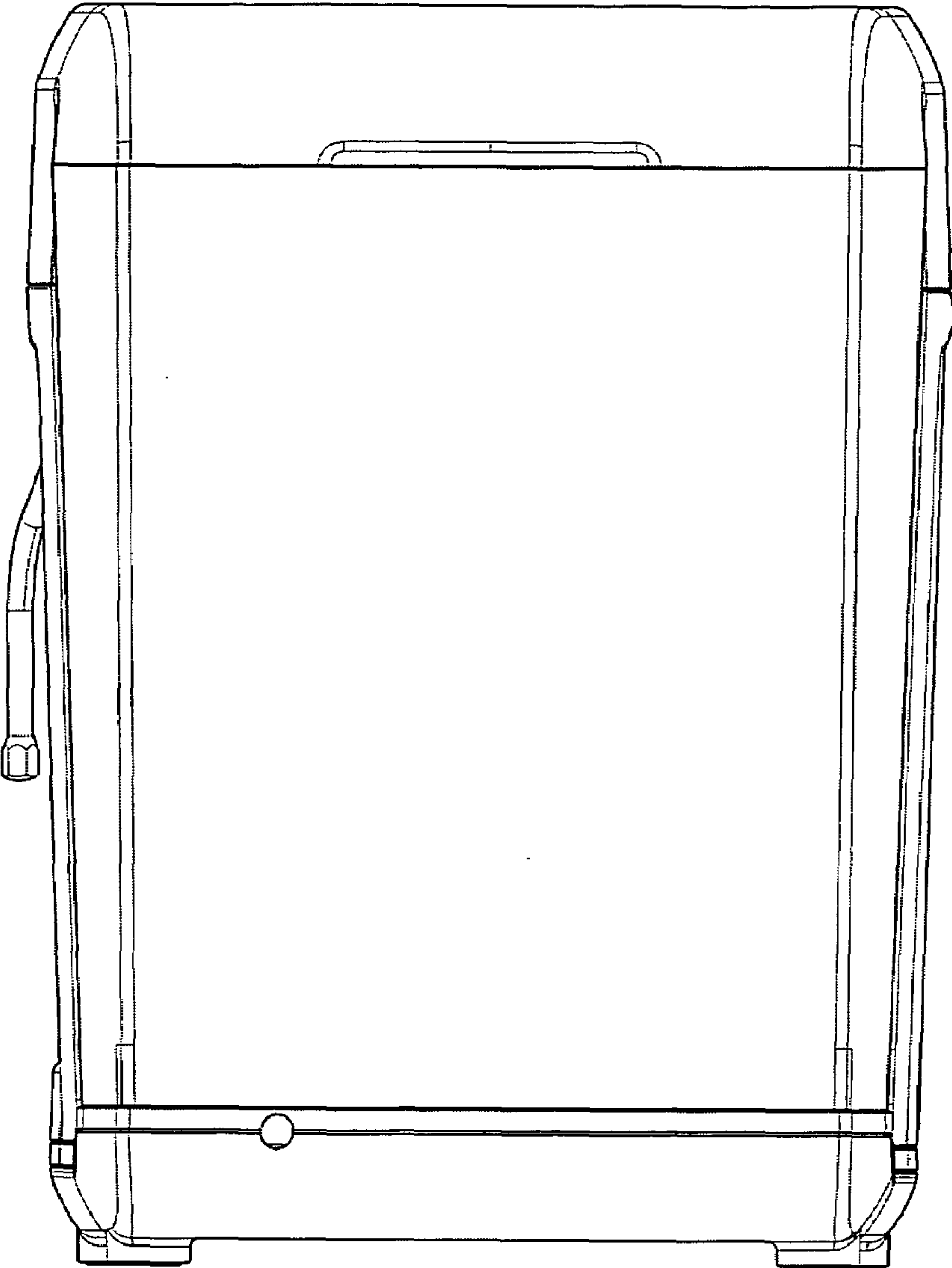


FIG. 6

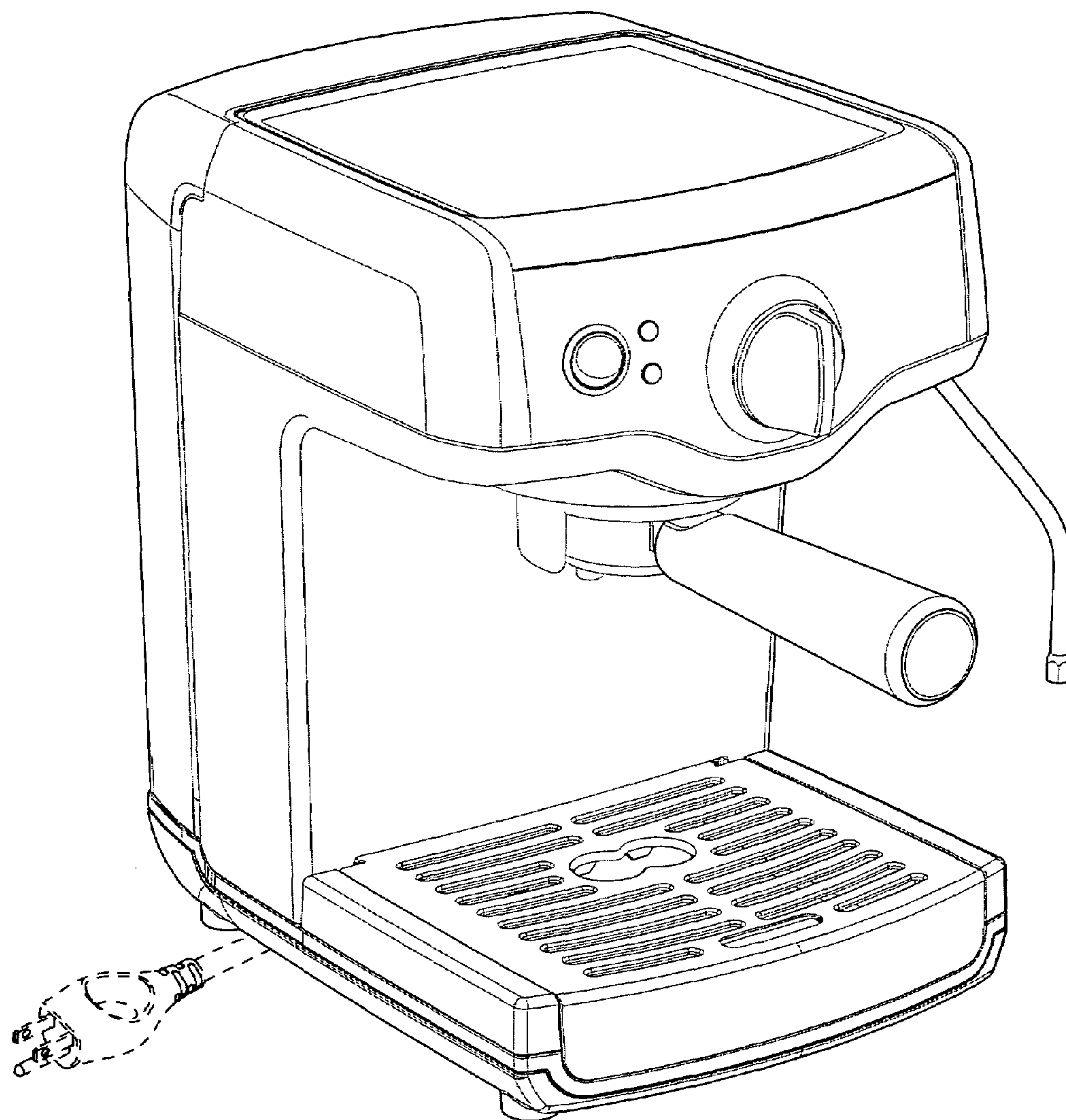


FIG. 7



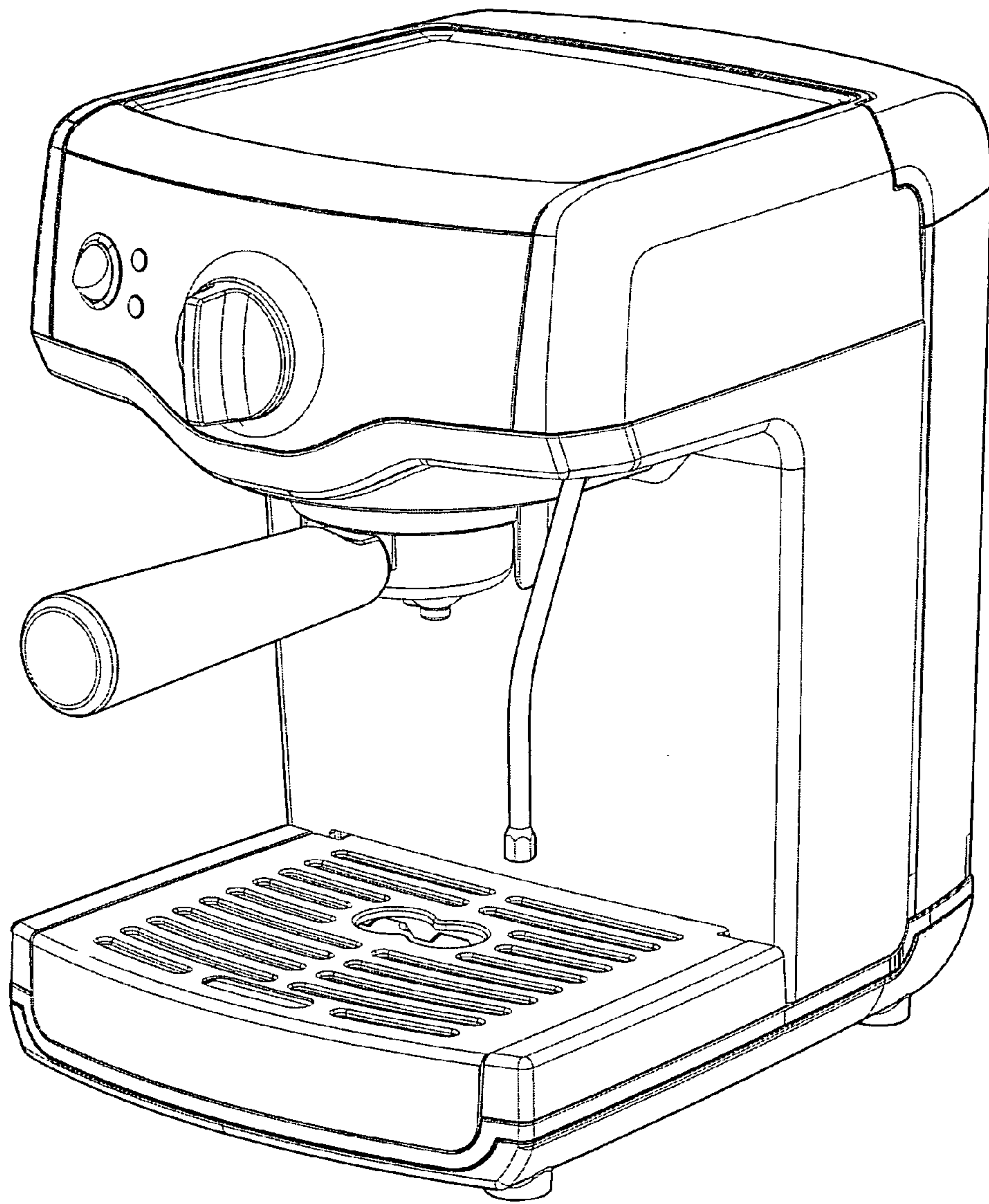


FIG. 8