



US00D597776S

(12) **United States Design Patent**  
**Taggart et al.**

(10) **Patent No.:** **US D597,776 S**

(45) **Date of Patent:** **\*\* Aug. 11, 2009**

(54) **RACK HOLDER**

(75) Inventors: **Terry Taggart**, Parker, CO (US);  
**Charlie Dittrick**, Parker, CO (US);  
**Angel Preciado**, Parker, CO (US); **Doug Wathen**, Parker, CO (US); **Carlos Babb**, Parker, CO (US); **Eric Sanchez**, Parker, CO (US)

(73) Assignee: **Taggart Enterprises, Inc.**, Parker, CO (US)

(\*\*) Term: **14 Years**

(21) Appl. No.: **29/298,578**

(22) Filed: **Dec. 7, 2007**

(51) **LOC (9) Cl.** ..... **08-08**

(52) **U.S. Cl.** ..... **D6/552**

(58) **Field of Classification Search** ..... D6/552;  
211/13.1, 60.1, 64, 70.2, 70.6, 70.8, 70.08,  
211/89.01; 248/309.1, 310, 312, 314  
See application file for complete search history.

(56) **References Cited**

U.S. PATENT DOCUMENTS

1,174,185	A *	3/1916	Scott	.....	211/68
5,487,475	A *	1/1996	Knee	.....	211/70.8
D429,936	S *	8/2000	McCormick et al.	.....	D6/552
D440,803	S *	4/2001	McCormick et al.	.....	D6/552
D493,055	S *	7/2004	Ferretti	.....	D6/552
D499,920	S *	12/2004	Hoag et al.	.....	D6/552
D530,960	S *	10/2006	Osiecki et al.	.....	D6/552

D550,492	S *	9/2007	Fagundes-Daher	.....	D6/552
D555,960	S *	11/2007	Pena	.....	D6/552
D573,827	S *	7/2008	Taggart et al.	.....	D6/552

\* cited by examiner

*Primary Examiner*—Brian N Vinson  
(74) *Attorney, Agent, or Firm*—Fennemore Craig, P.C.

(57) **CLAIM**

The ornamental design for a rack holder, as shown and described.

**DESCRIPTION**

FIG. 1 is a top, front, and right side perspective view of a rack holder showing our new design;

FIG. 2 is an additional top, front, and right side perspective view thereof;

FIG. 3 is a bottom, front, and left side perspective view thereof;

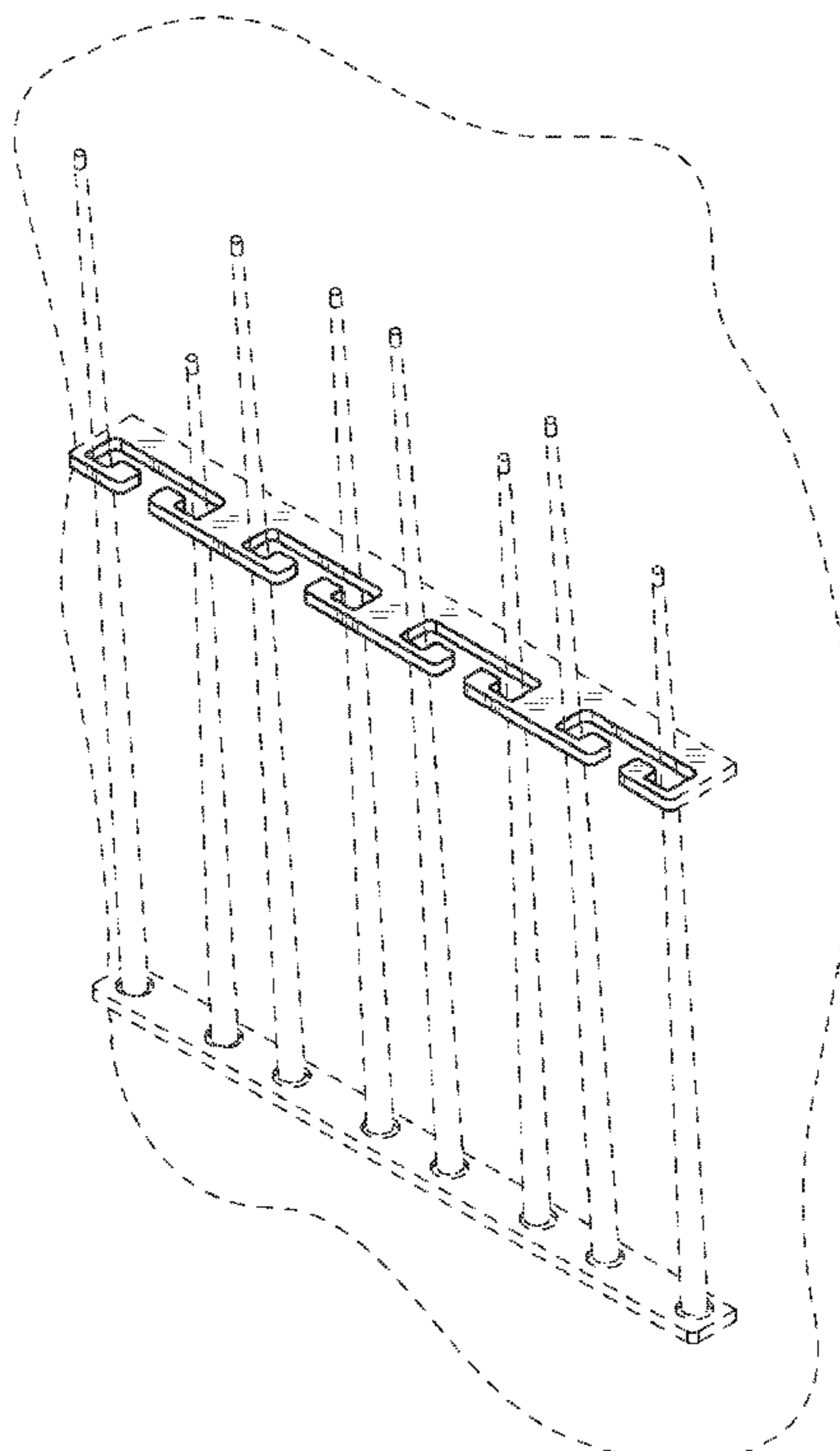
FIG. 4 is a front elevational view thereof;

FIG. 5 is a top plan view thereof; and,

FIG. 6 is a bottom plan view thereof.

The broken-line disclosure in the views is understood to represent both environmental structure provided for illustrative purposes only and portions of the rack base which form no part of the claimed design. In addition, the broken lines which lie adjacent to the claimed area shown with surface shading are understood to represent unclaimed boundaries between claimed and unclaimed elements.

**1 Claim, 5 Drawing Sheets**



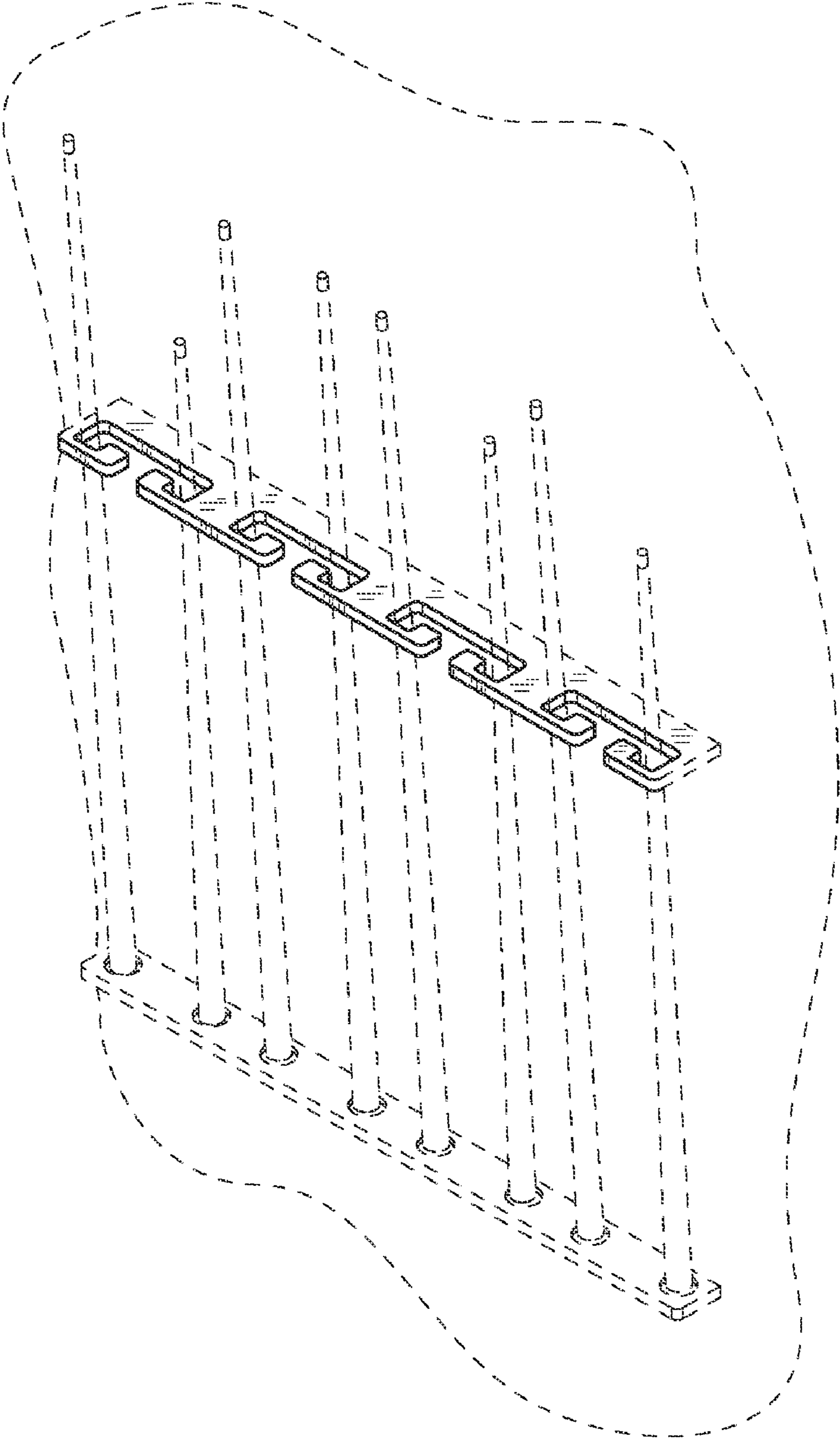


FIG. 1

FIG.2

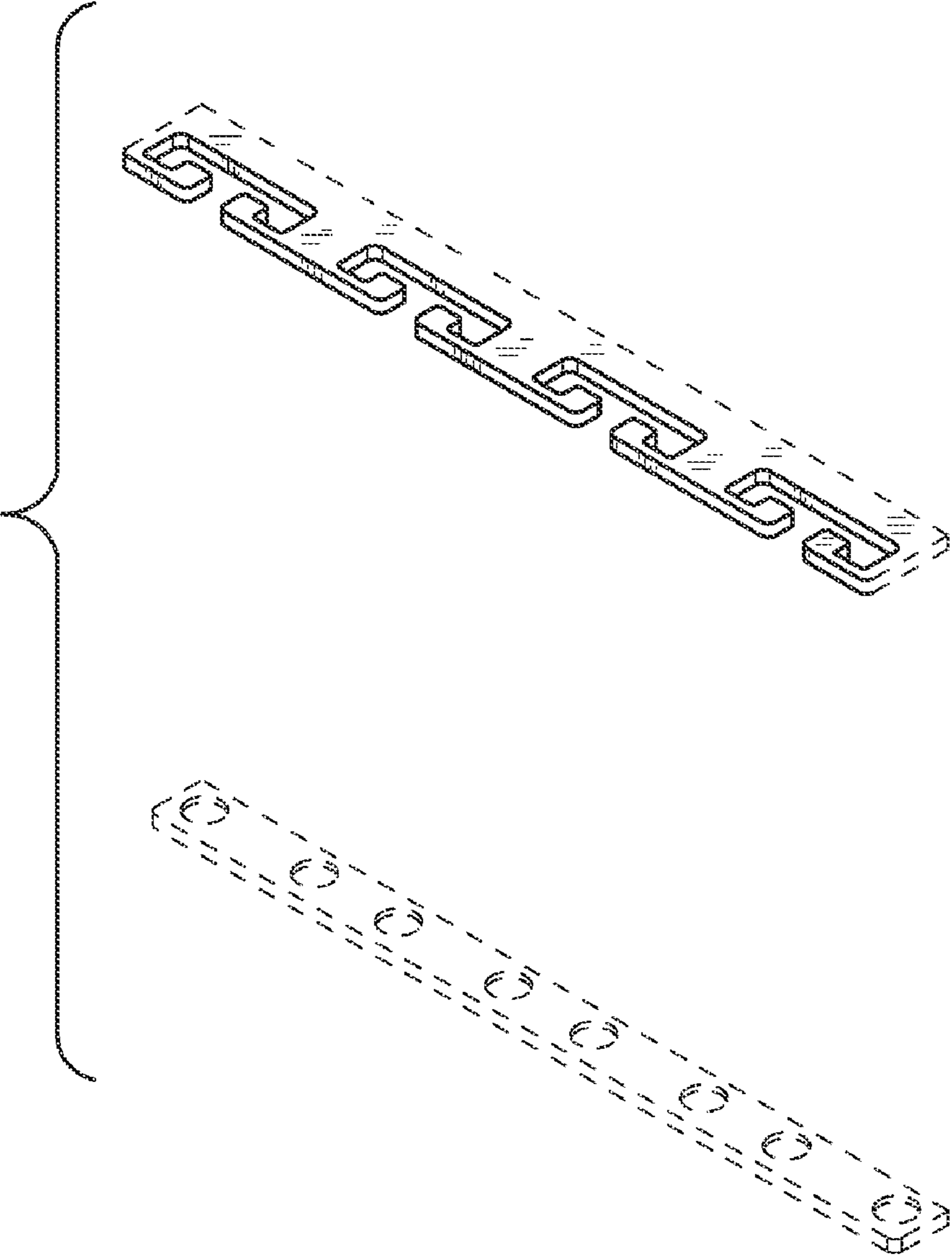
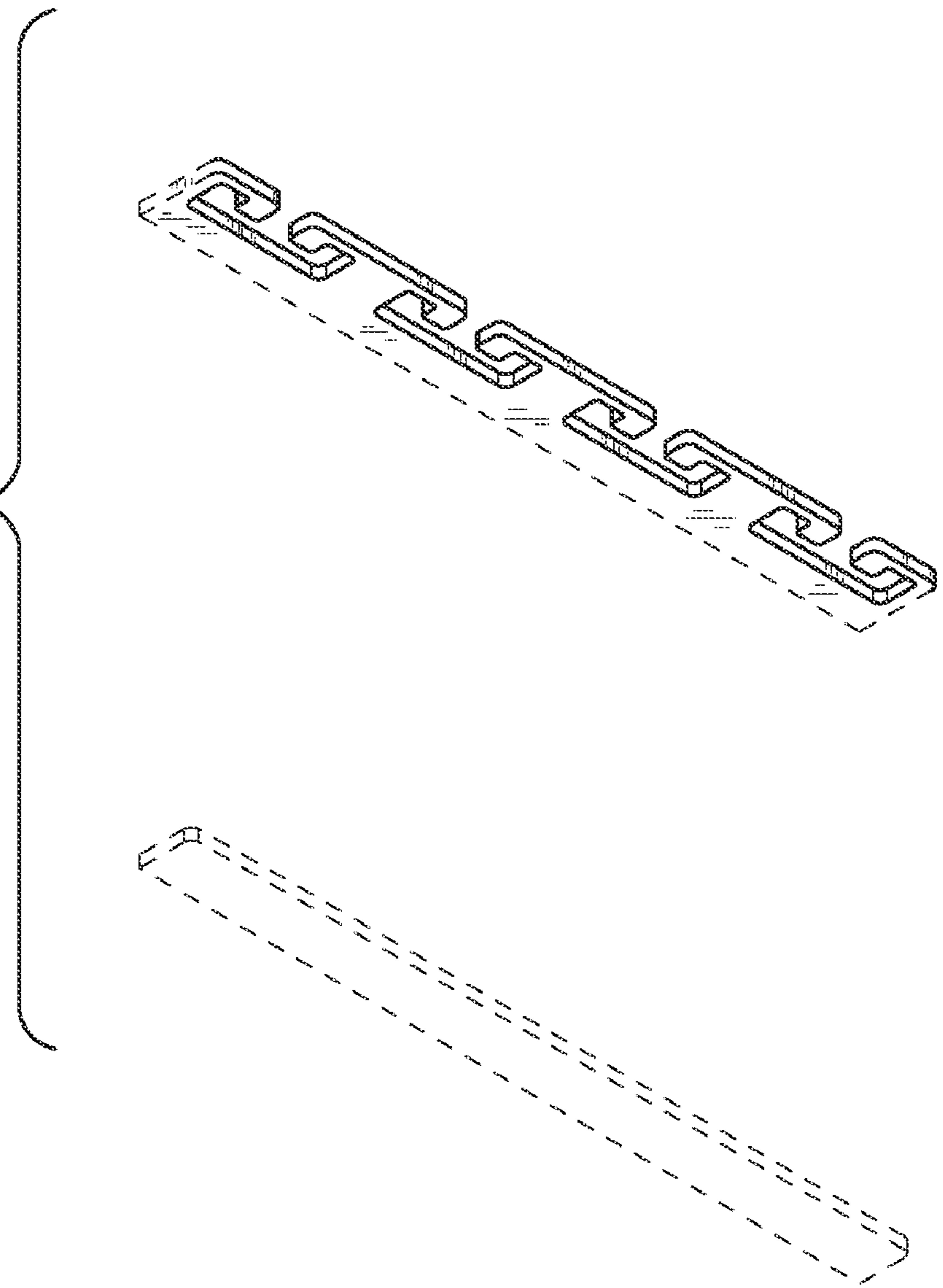


FIG.3



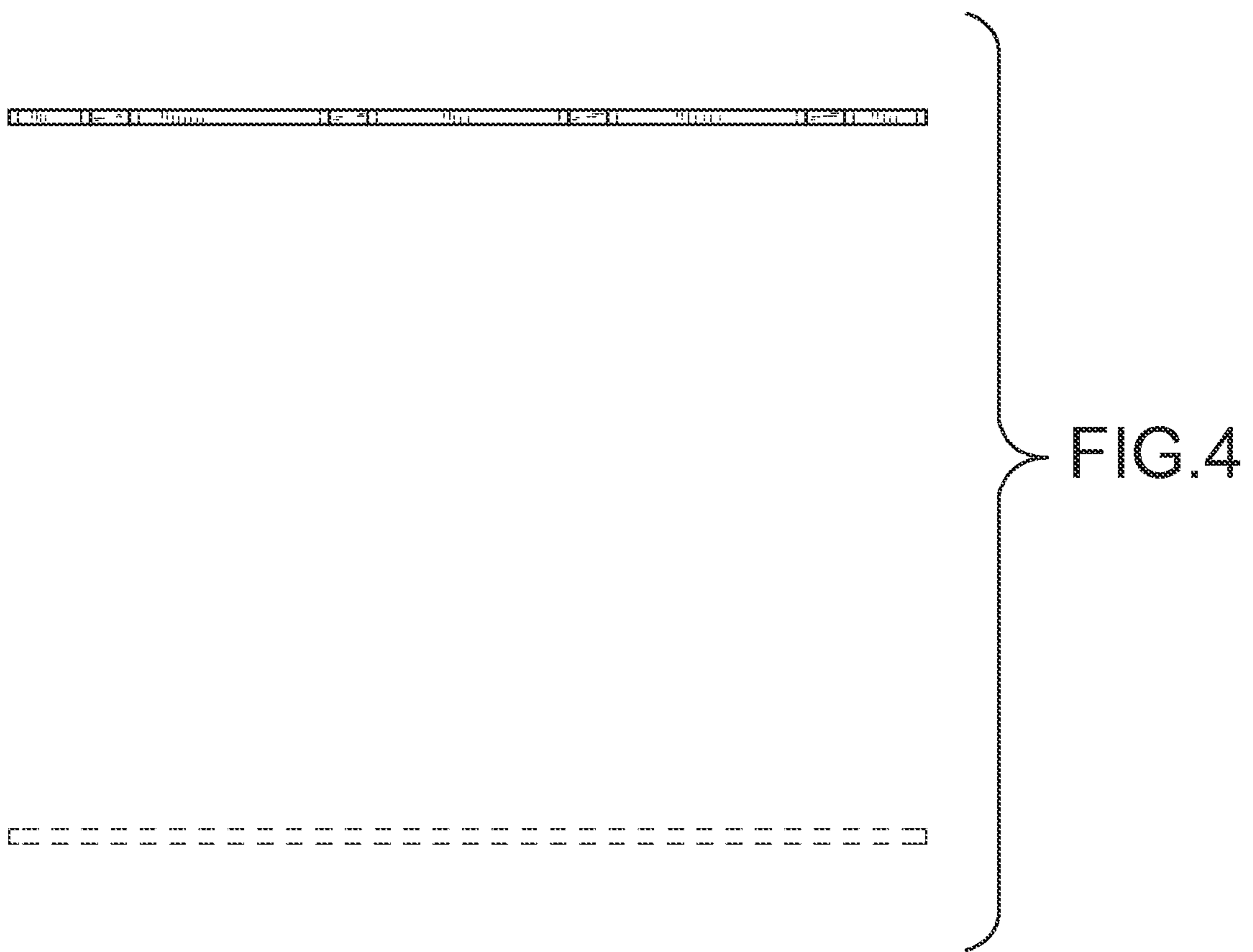




FIG. 5



FIG. 6