



US00D597774S

(12) **United States Design Patent**  
**Rubin**

(10) **Patent No.:** **US D597,774 S**

(45) **Date of Patent:** **\*\* Aug. 11, 2009**

(54) **WALL MOUNTABLE SUPPORT**

(75) Inventor: **Leila M. Rubin**, Sheboygan, WI (US)

(73) Assignee: **Kohler Co.**, Kohler, WI (US)

(\*\*) Term: **14 Years**

(21) Appl. No.: **29/324,505**

(22) Filed: **Sep. 12, 2008**

**Related U.S. Application Data**

(62) Division of application No. 29/279,809, filed on May 8, 2007, now Pat. No. Des. 577,939.

(51) **LOC (9) Cl.** ..... **06-04**

(52) **U.S. Cl.** ..... **D6/549**

(58) **Field of Classification Search** ..... D6/546–550,  
D6/518–519, 522–524; 108/28–29; 211/13.1,  
211/16, 60.1, 86.01, 87.01, 88.01, 100, 105.1–105.2,  
211/119.003, 123, 126.1, 133.6, 134, 181.1,  
211/182; 248/175, 176.1, 200, 214, 251,  
248/302, 309.1; 16/110.1, 412, 413; 242/570,  
242/590; 206/389, 557; D8/300, 303, 315–321,  
D8/354, 363, 373, 380

See application file for complete search history.

(56) **References Cited**

**U.S. PATENT DOCUMENTS**

D477,169 S \* 7/2003 Hoernig ..... D6/548  
D485,464 S \* 1/2004 Clucas ..... D6/566  
D492,868 S \* 7/2004 Ayers et al. .... D6/524  
D493,313 S \* 7/2004 Hoernig ..... D6/524  
D540,594 S \* 4/2007 Hoernig ..... D6/548

**OTHER PUBLICATIONS**

Kohler Co. “Bancroft 28” Towel Bar”. Model No. K-11410. Kohler Co. online catalog. Copyright 2007 Kohler Co.  
Danze. “Plymouth Double Towel Bar 24”. HomePortfolio.com online catalog. Copyright 1997-2007 HomePortfolio Inc.  
Kohler Co. “Devonshire 24” double towel bar”. Model No. K-10553. Kohler Co. online catalog. c Copyright 2007 Kohler Co.

Atelier Design Group. “Complements Collection”. Model No. Complements #501401. HomePortfolio.com online catalog. Copyright 1997-2007 HomePortfolio Inc.

Bath Emporium. “Towel Racks”. BathEmporium.com online catalog. Copyright Bath Emporium.

Use. “Nuovo 20” Shelf/Towel Rod”. Model No. 1690.01. HomePortfolio.com online catalog. Copyright 1997-2007 HomePortfolio Inc.

Ginger. “Canterbury Shelf with Towel Bar”. HomePortfolio.com online catalog. Copyright 1997-2007 HomePortfolio Inc.

Ginger. “Circa 20” Hotel Shelf with Towel Bar”. HomePortfolio.com online catalog. Copyright 1997-2007 HomePortfolio Inc.

\* cited by examiner

*Primary Examiner*—Brian N Vinson

(74) *Attorney, Agent, or Firm*—Quarles & Brady LLP

(57) **CLAIM**

The ornamental design for a wall mountable support, as shown and described.

**DESCRIPTION**

In a preferred embodiment, the nature of this product is a wall mountable support, such as a single rung towel bar.

FIG. 1 is a left, top, front perspective view of a wall mountable support according to my new design;

FIG. 2 is a left side elevational view thereof, the right side elevational view thereof being a mirror image of the left side shown;

FIG. 3 is a front elevational view thereof;

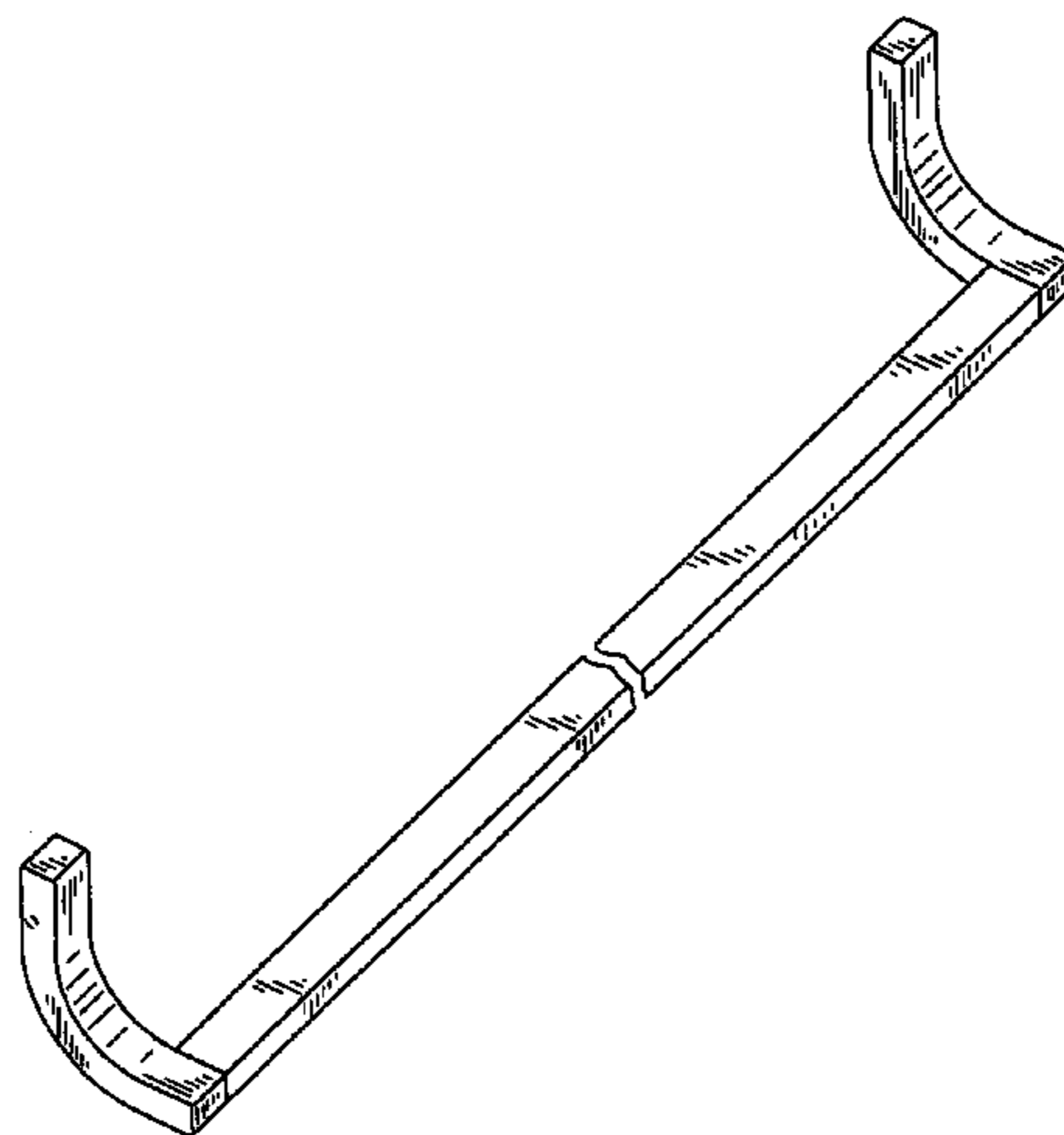
FIG. 4 is a top plan view thereof;

FIG. 5 is a bottom plan view thereof; and,

FIG. 6 is a rear elevational view thereof.

The broken-line disclosure in the views is for illustrative purposes only and forms no part of the claimed design. The broken-away horizontal elements are understood to indicate unclaimed length.

**1 Claim, 3 Drawing Sheets**



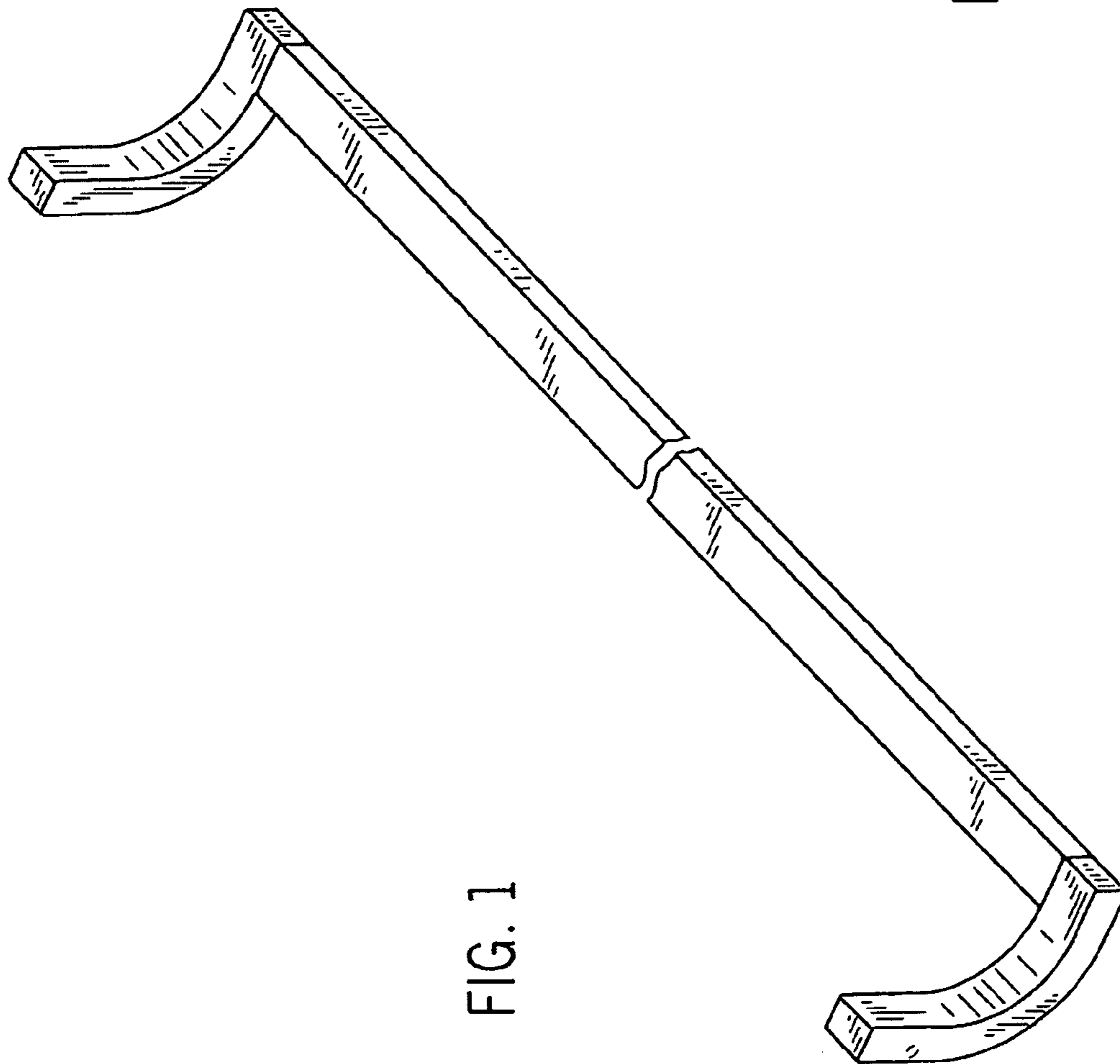


FIG. 1

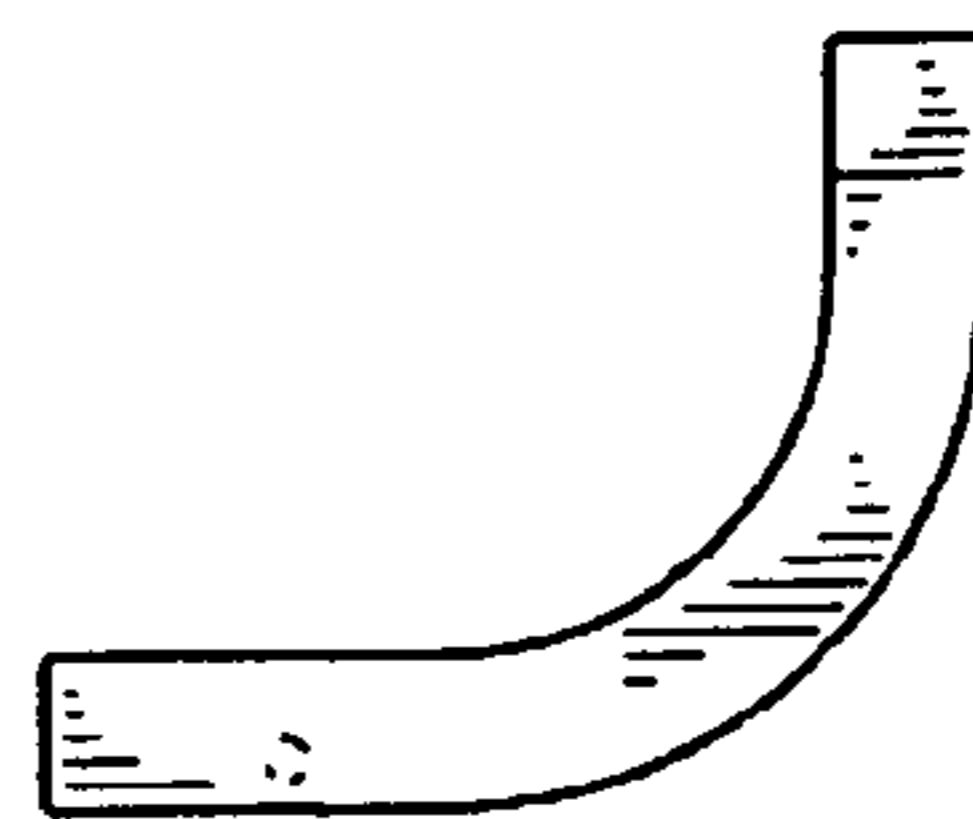


FIG. 2

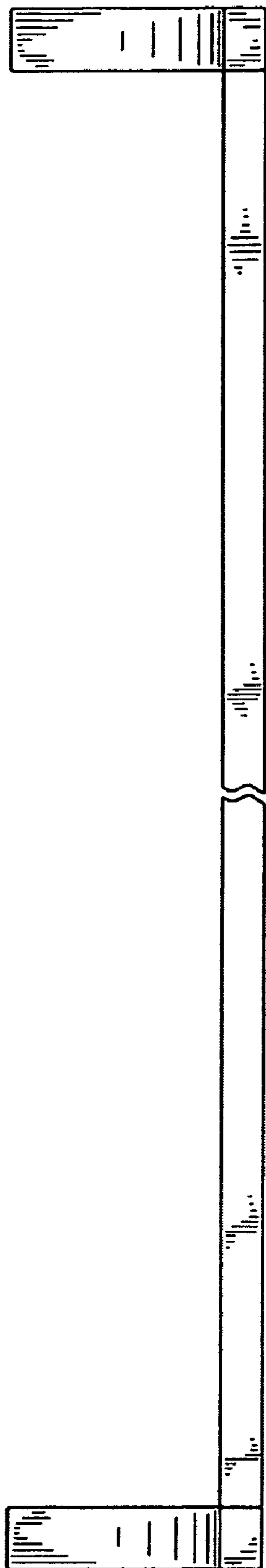


FIG. 3

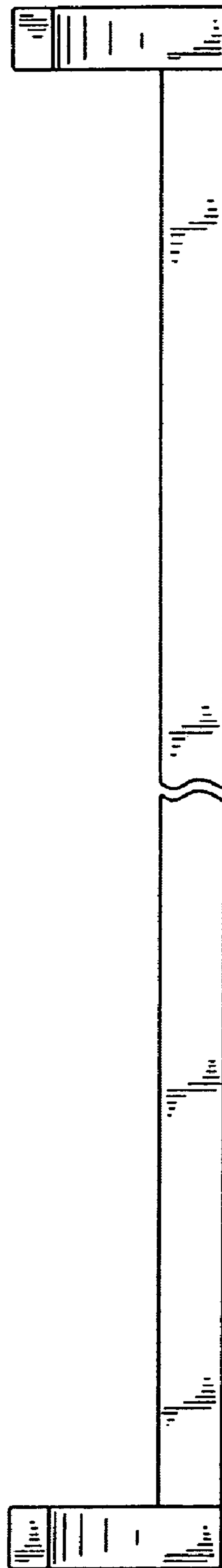


FIG. 4

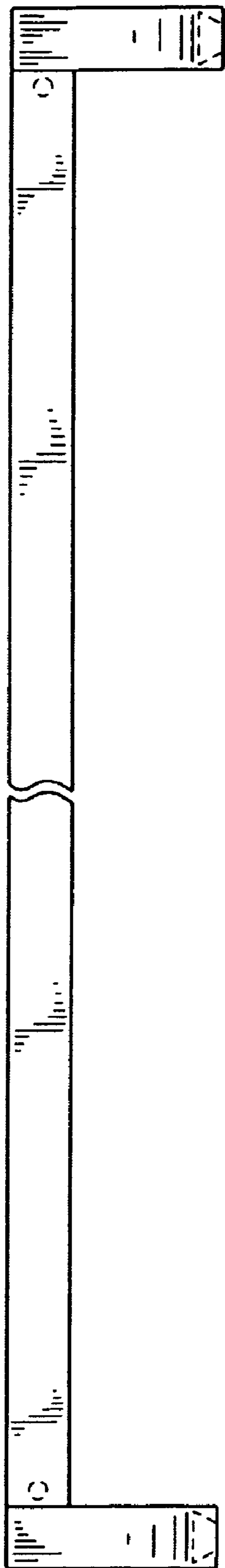


FIG. 5

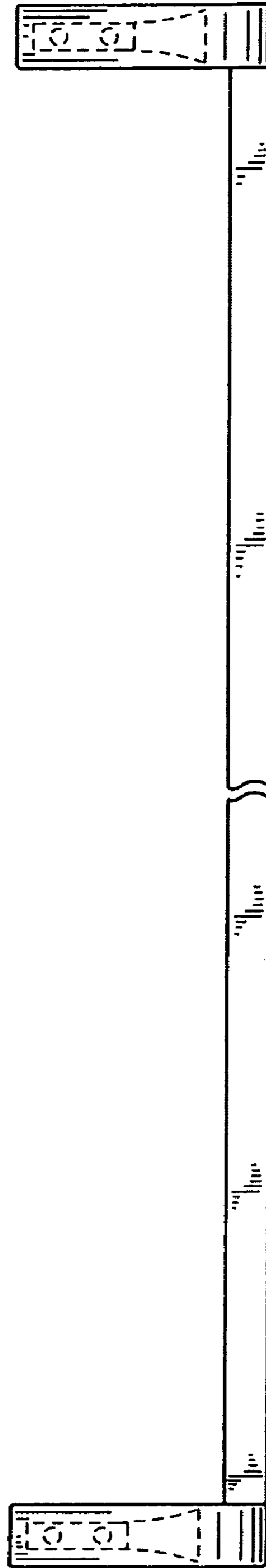


FIG. 6