



US00D597773S

(12) **United States Design Patent**  
**Yeung**

(10) **Patent No.:** **US D597,773 S**

(45) **Date of Patent:** **\*\* Aug. 11, 2009**

(54) **HEATED TOWEL RACK**

*Primary Examiner*—Brian N Vinson

(75) Inventor: **Wing Yiu Yeung**, Hong Kong (HK)

(57) **CLAIM**

(73) Assignee: **Advanced Materials Enterprises Company Limited**, N.T. (HK)

The ornamental design for a heated towel rack, as shown and described.

(\*\*) Term: **14 Years**

**DESCRIPTION**

(21) Appl. No.: **29/320,829**

FIG. 1 is a perspective view of the heated towel rack wherein a heated board is in horizontal position;

(22) Filed: **Jul. 4, 2008**

FIG. 2 is a front view of the heated towel rack of FIG. 1;

(51) **LOC (9) Cl.** ..... **06-04**

FIG. 3 is a back view of the heated towel rack of FIG. 1;

(52) **U.S. Cl.** ..... **D6/546**

FIG. 4 is a left view of the heated towel rack of FIG. 1;

(58) **Field of Classification Search** ..... D6/410,  
D6/411, 462, 546, 548, 553, 567, 574, 566;  
D32/58, 59; 242/597.5, 597.7, 597.8; 211/13.1,  
211/26, 86.01, 119.004, 123, 124, 181.1,  
211/16; 248/127, 153, 175, 176.1, 200.1,  
248/302, 309.1

FIG. 5 is a right view of the heated towel rack of FIG. 1;

FIG. 6 is a top view of the heated towel rack of FIG. 1;

FIG. 7 is a bottom view of the heated towel rack of FIG. 1;

FIG. 8 is a perspective view of the heated towel rack wherein the heated board is in vertical position;

See application file for complete search history.

FIG. 9 is a front view of the heated towel rack of FIG. 8;

(56) **References Cited**

FIG. 10 is a back view of the heated towel rack of FIG. 8;

**U.S. PATENT DOCUMENTS**

FIG. 11 is a left view of the heated towel rack of FIG. 8;

FIG. 12 is a right view of the heated towel rack of FIG. 8;

D176,436 S \* 12/1955 Youhouse et al. .... D32/58

FIG. 13 is a top view of the heated towel rack of FIG. 8; and,

D324,620 S \* 3/1992 Chalot ..... D6/548

FIG. 14 is a bottom view of the heated towel rack of FIG. 8.

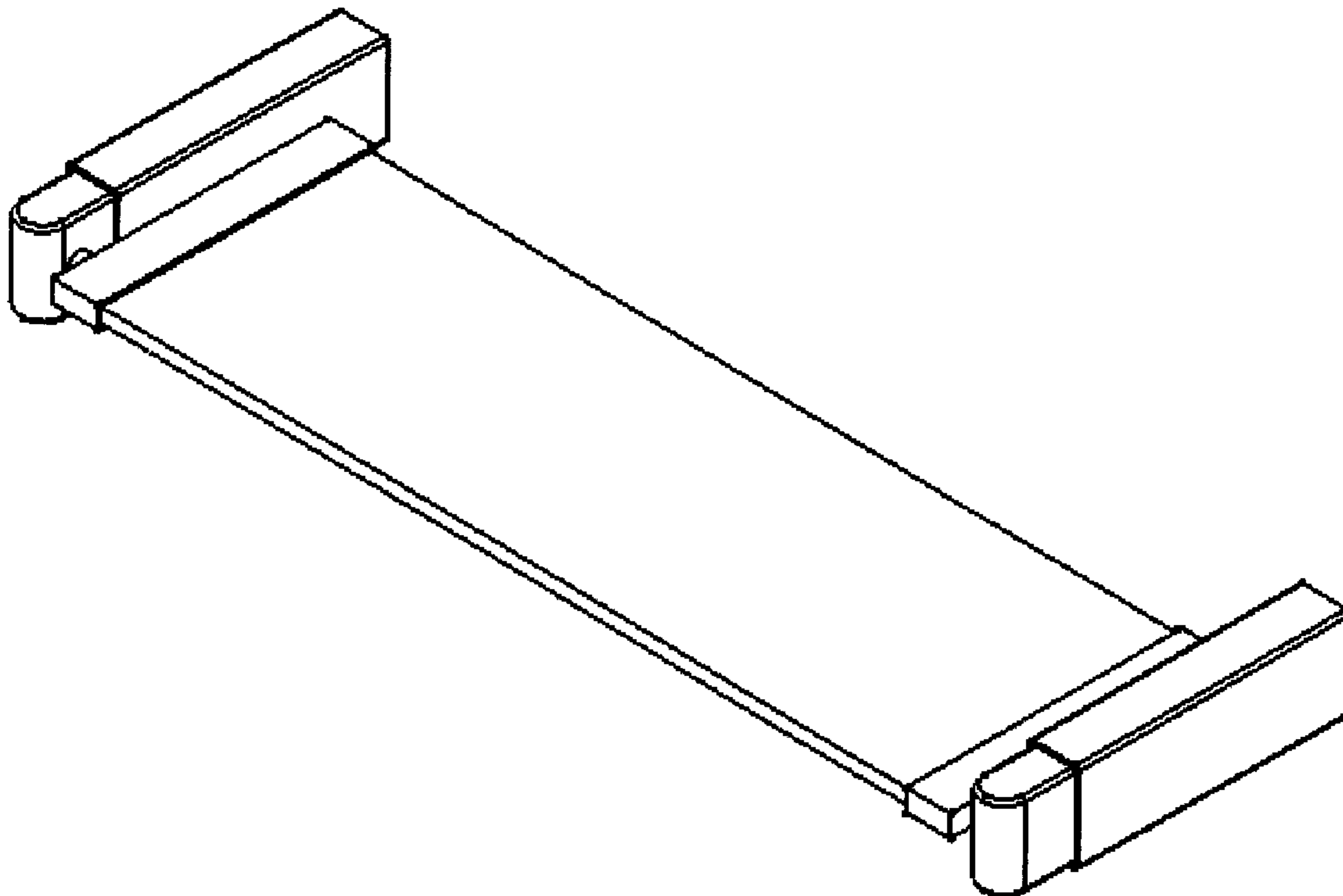
D412,630 S \* 8/1999 Lowe ..... D6/462

D436,777 S \* 1/2001 Walker ..... D6/548

D456,167 S \* 4/2002 Harwanko ..... D6/410

\* cited by examiner

**1 Claim, 10 Drawing Sheets**



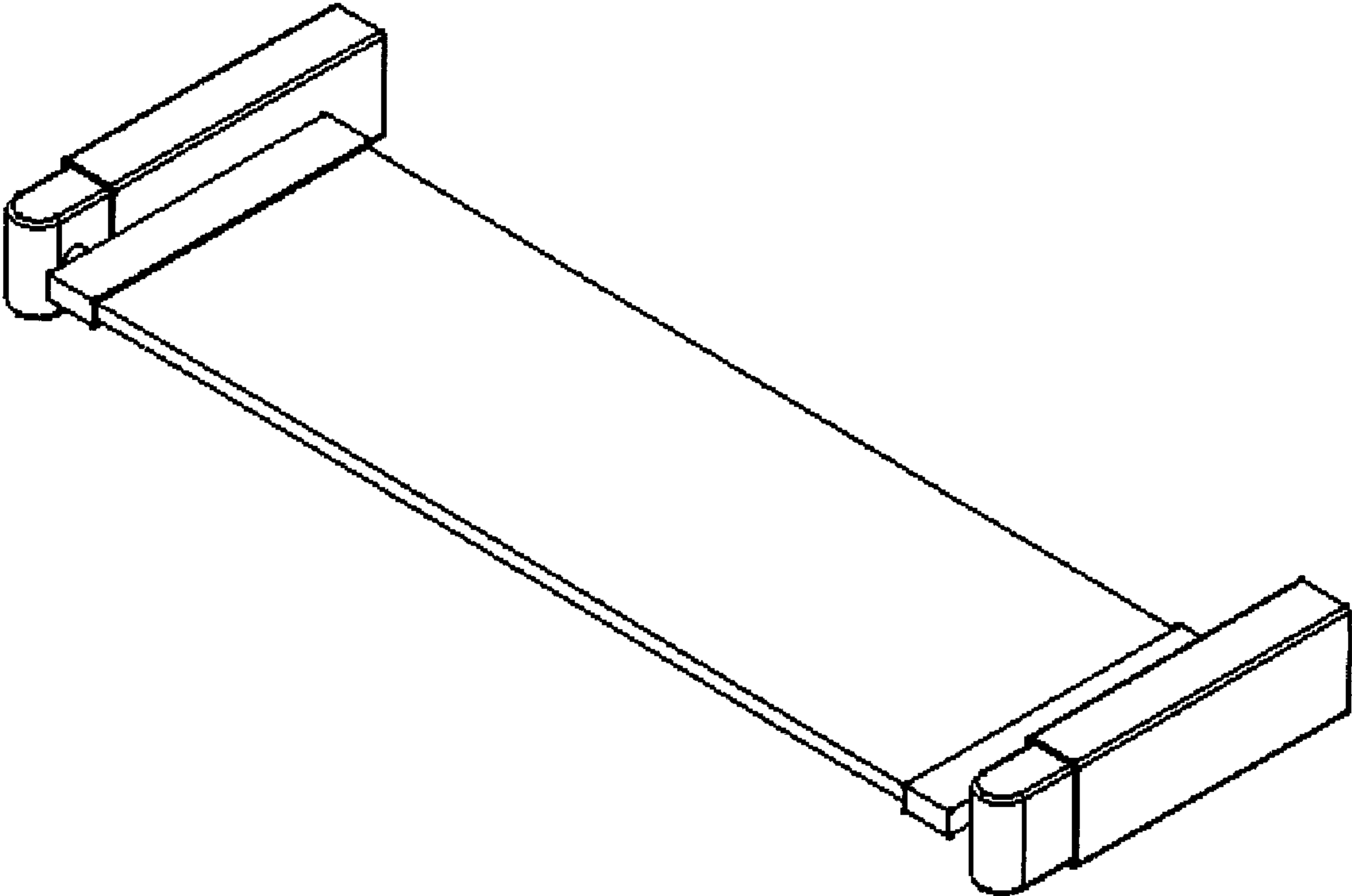


Figure 1

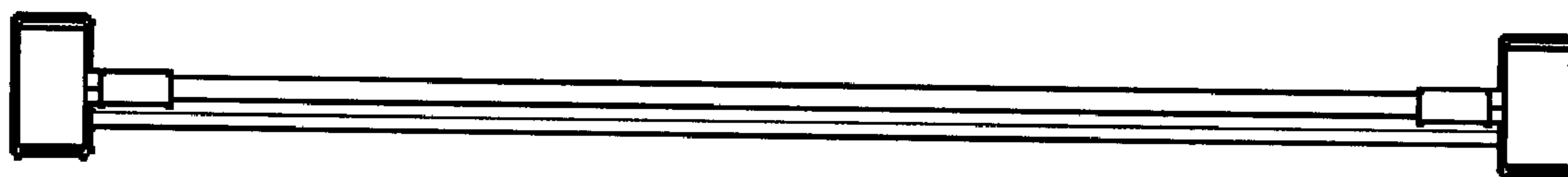


Figure 2

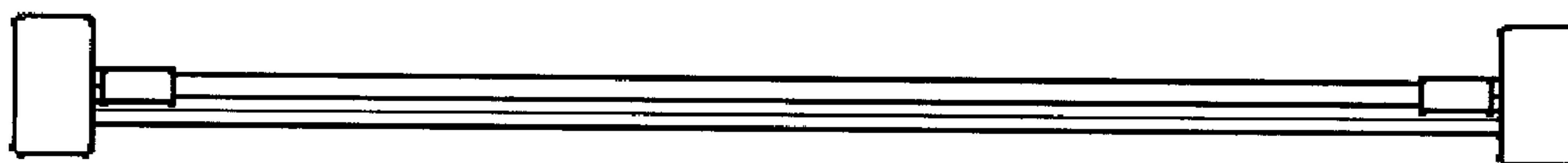


Figure 3

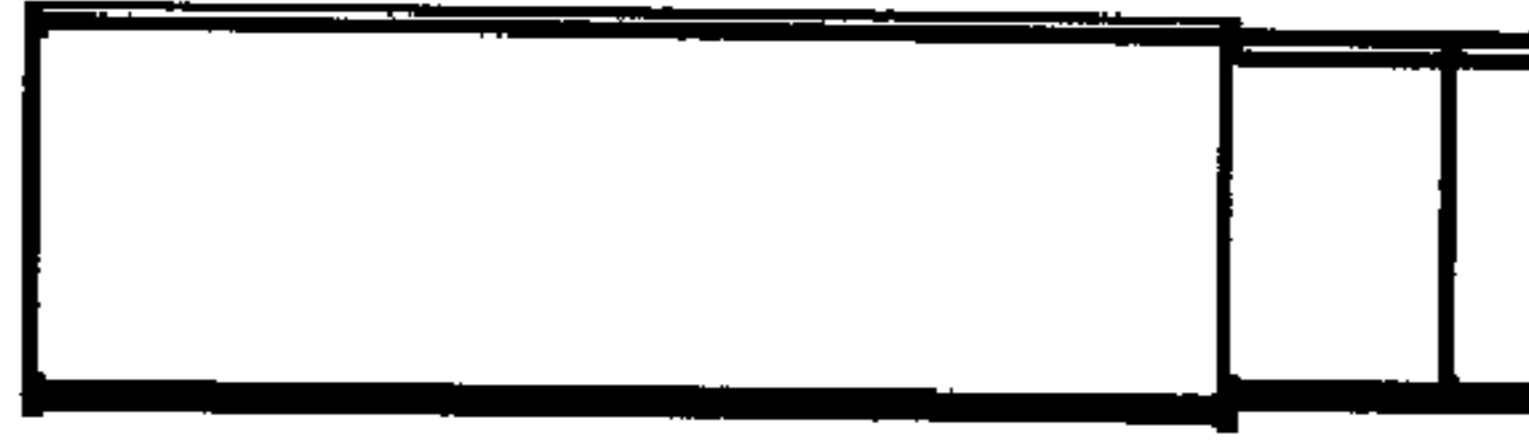


Figure 4



Figure 5

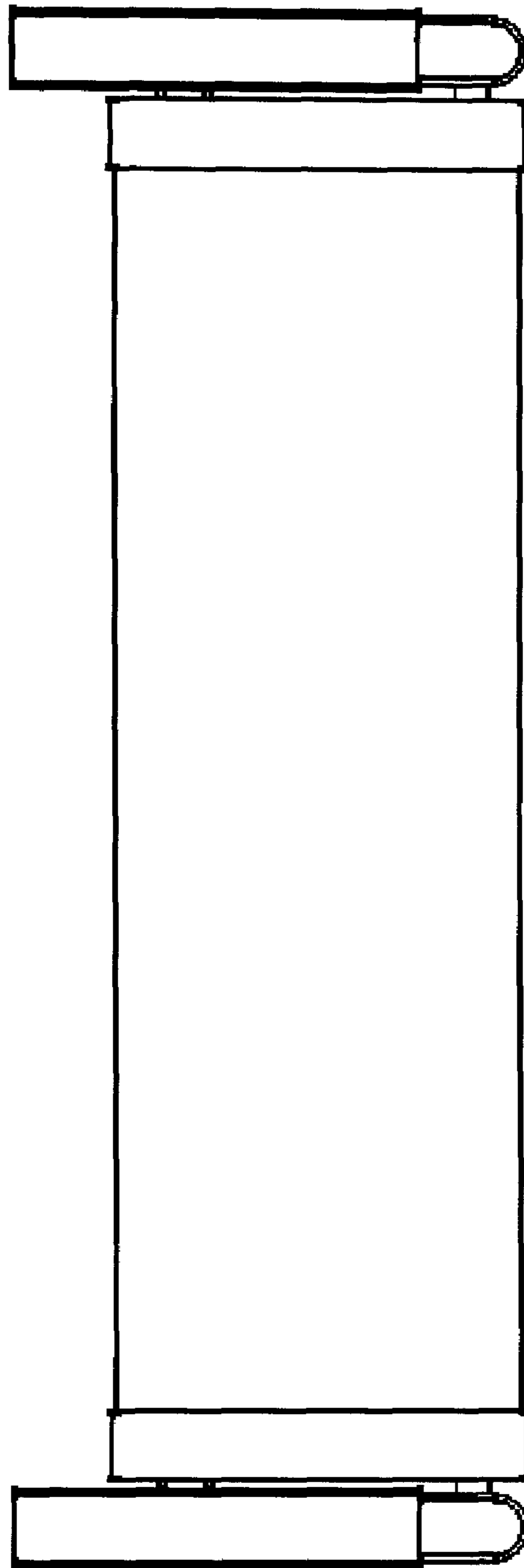


Figure 6

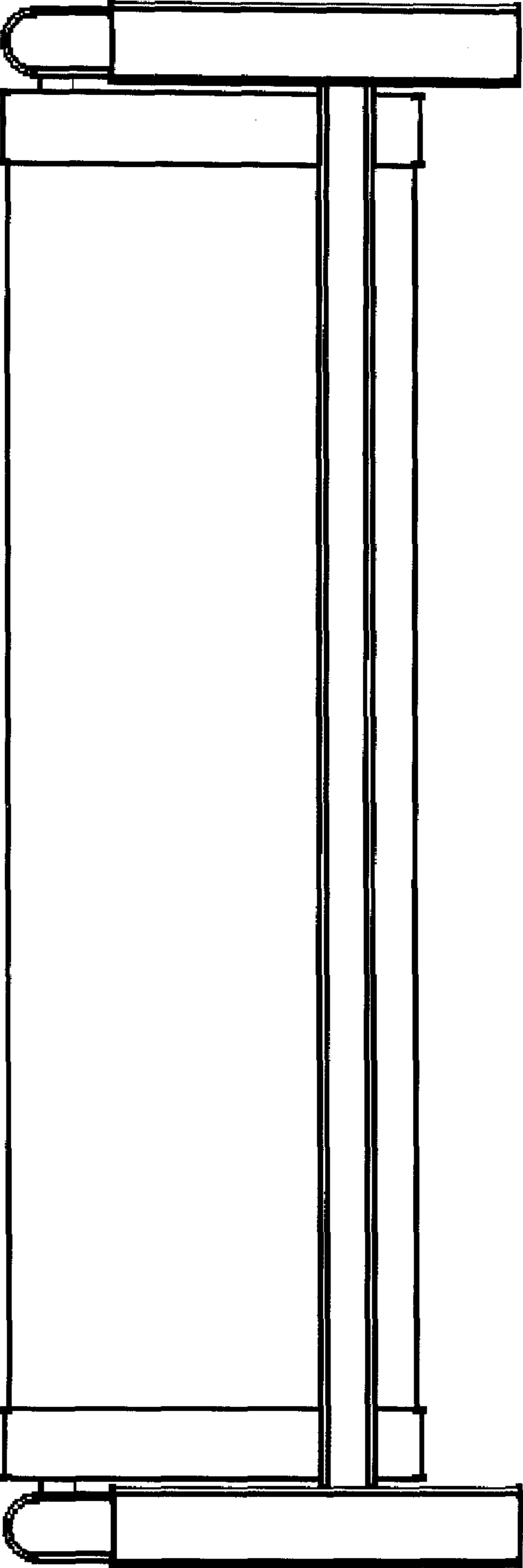


Figure 7

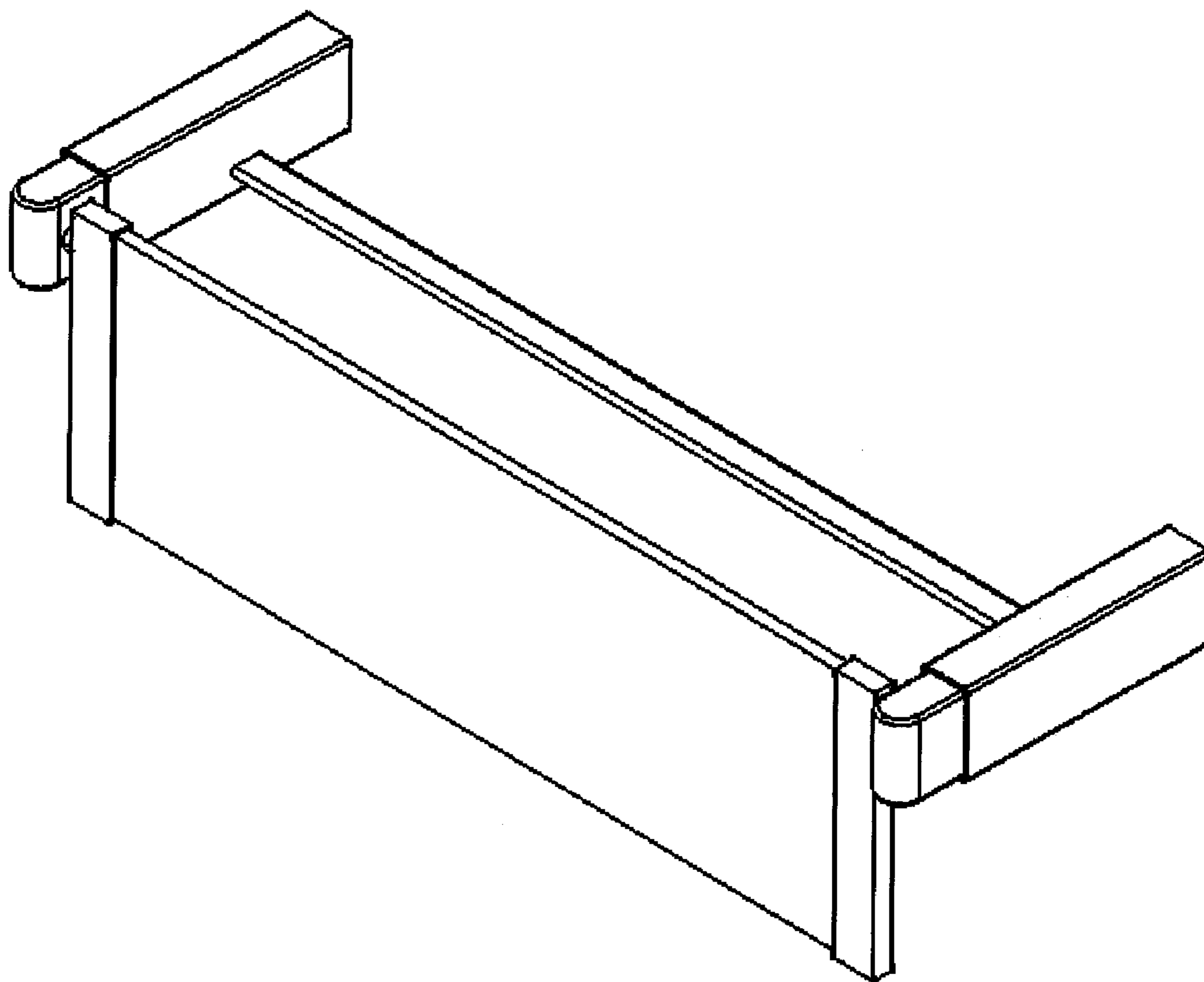


Figure 8

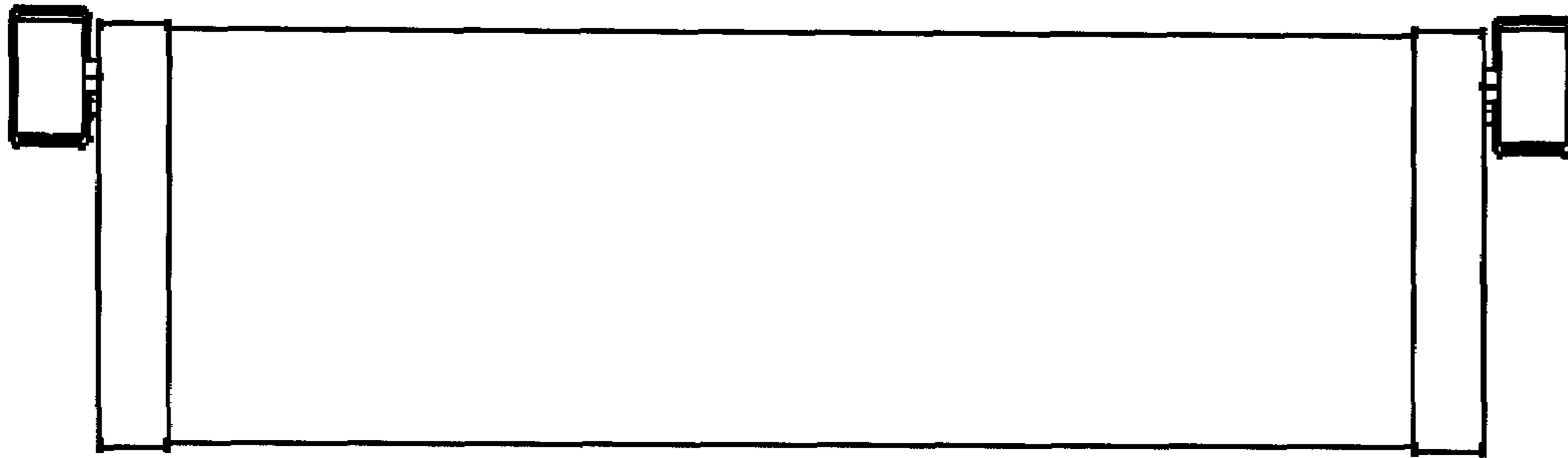


Figure 9

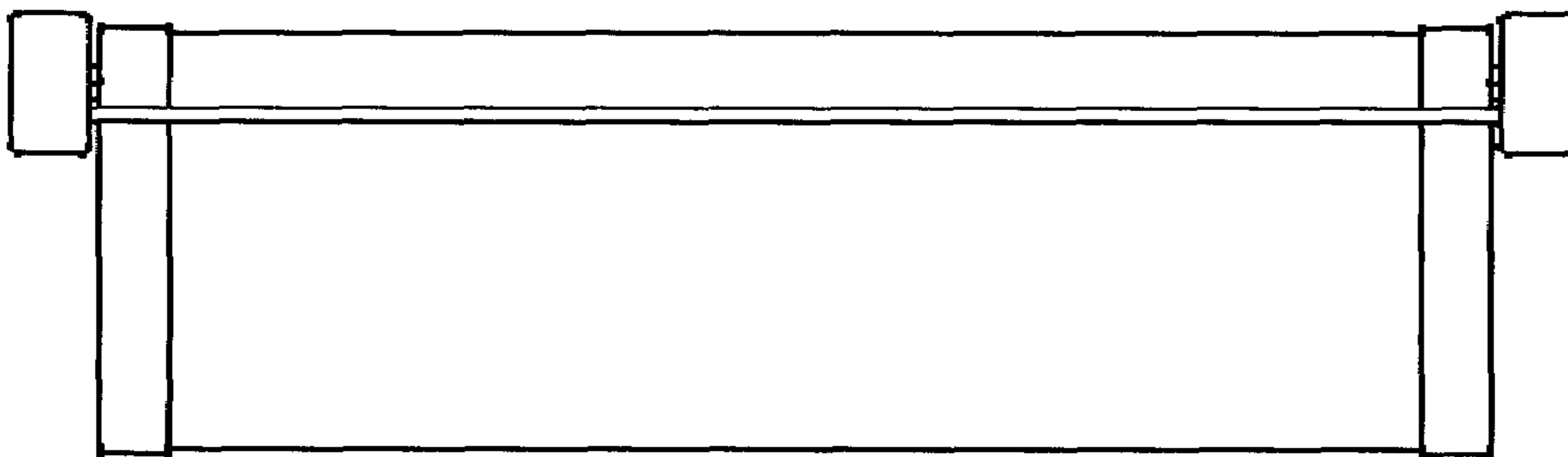


Figure 10



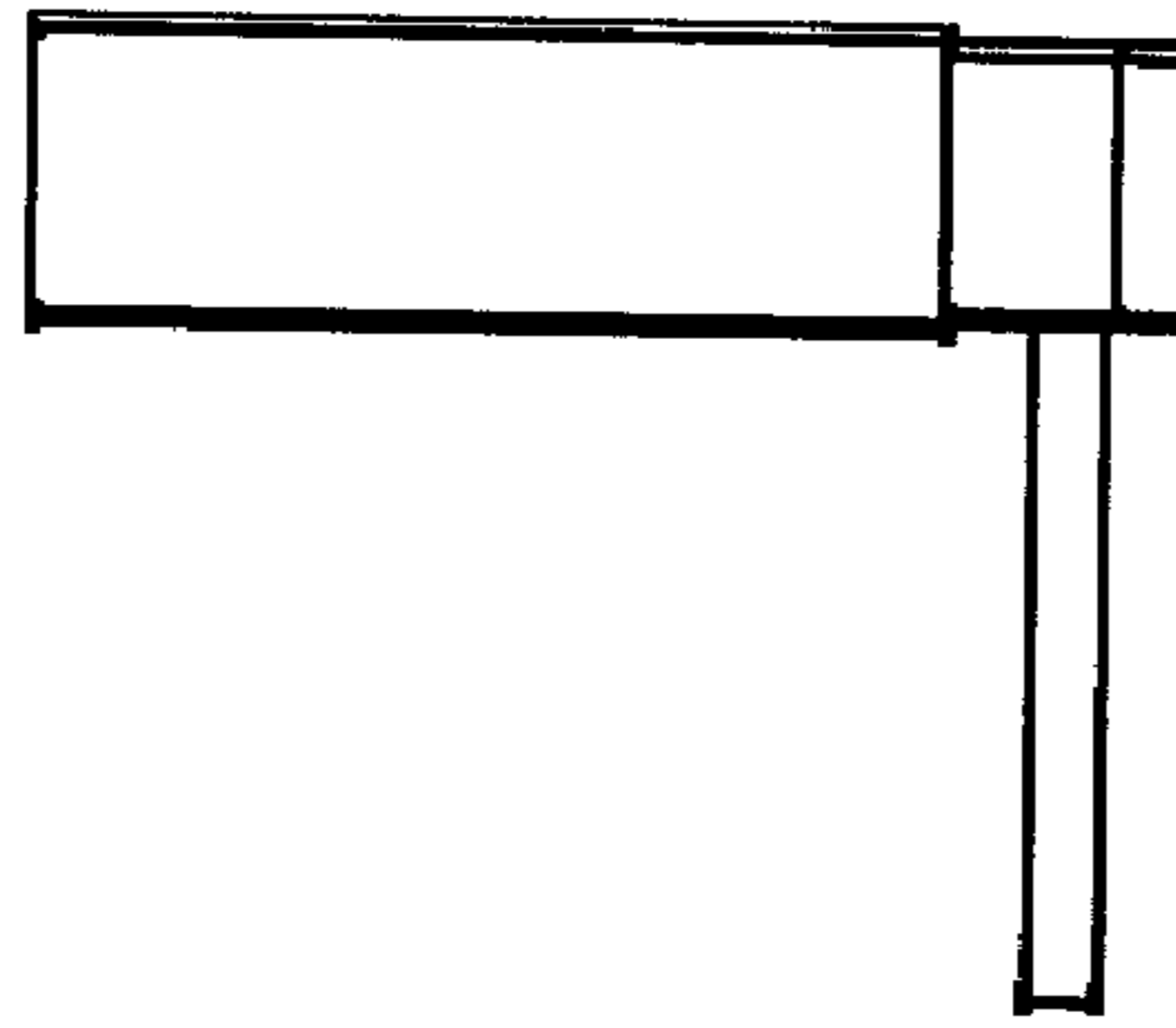


Figure 11

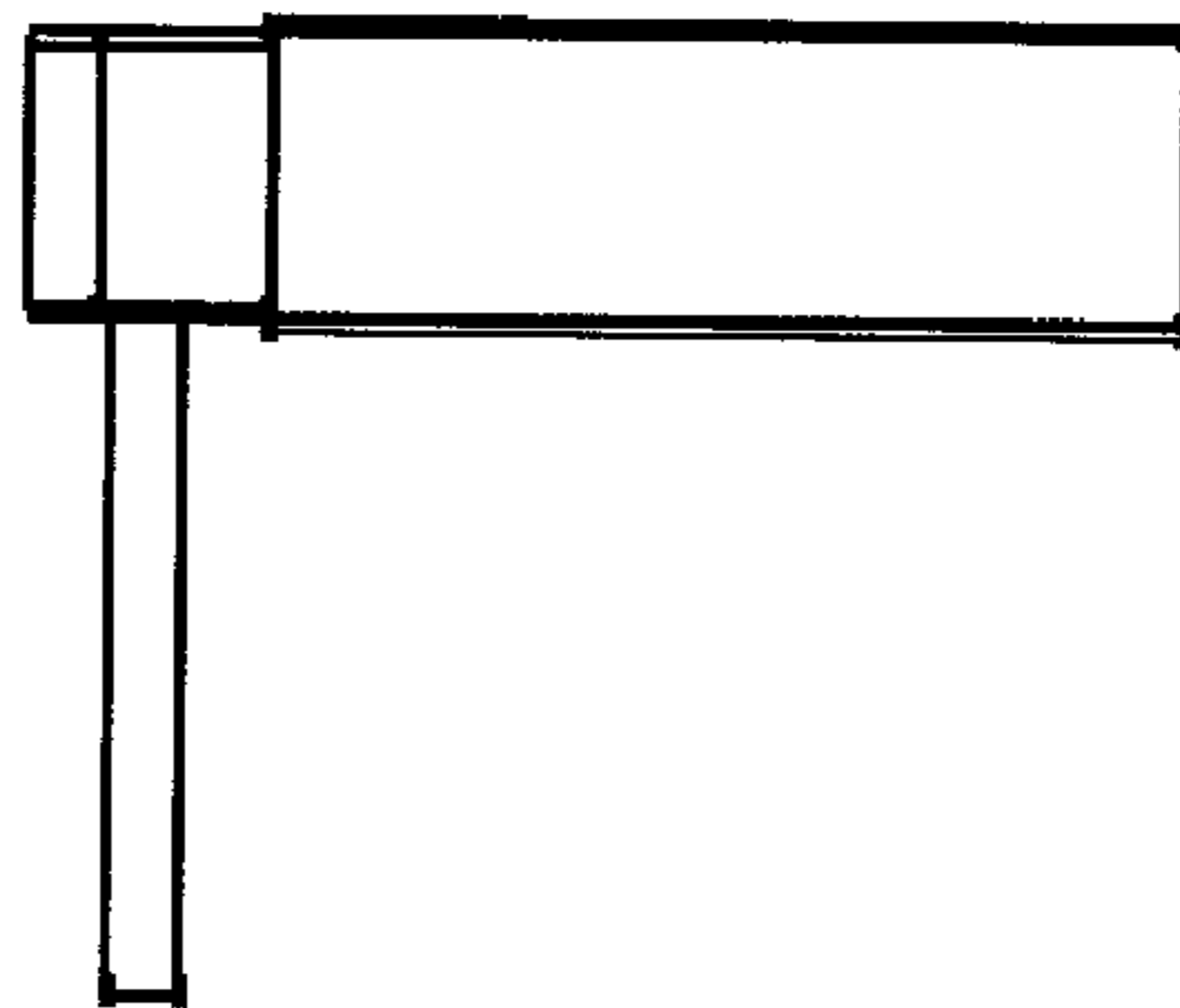


Figure 12

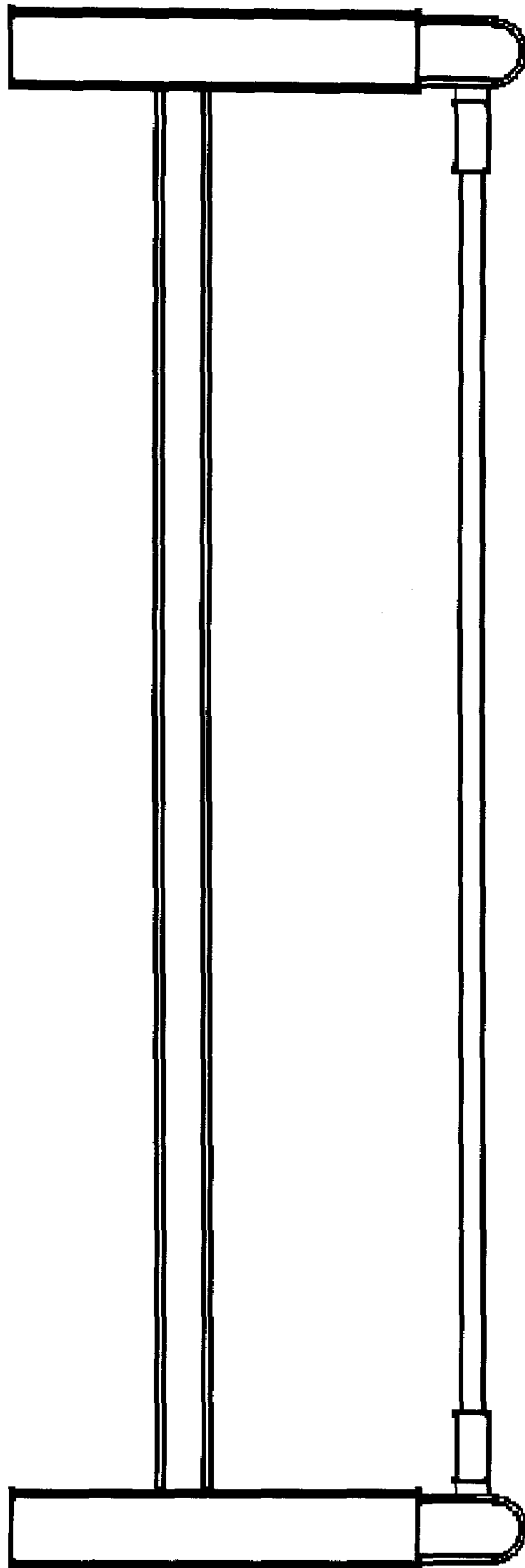


Figure 13

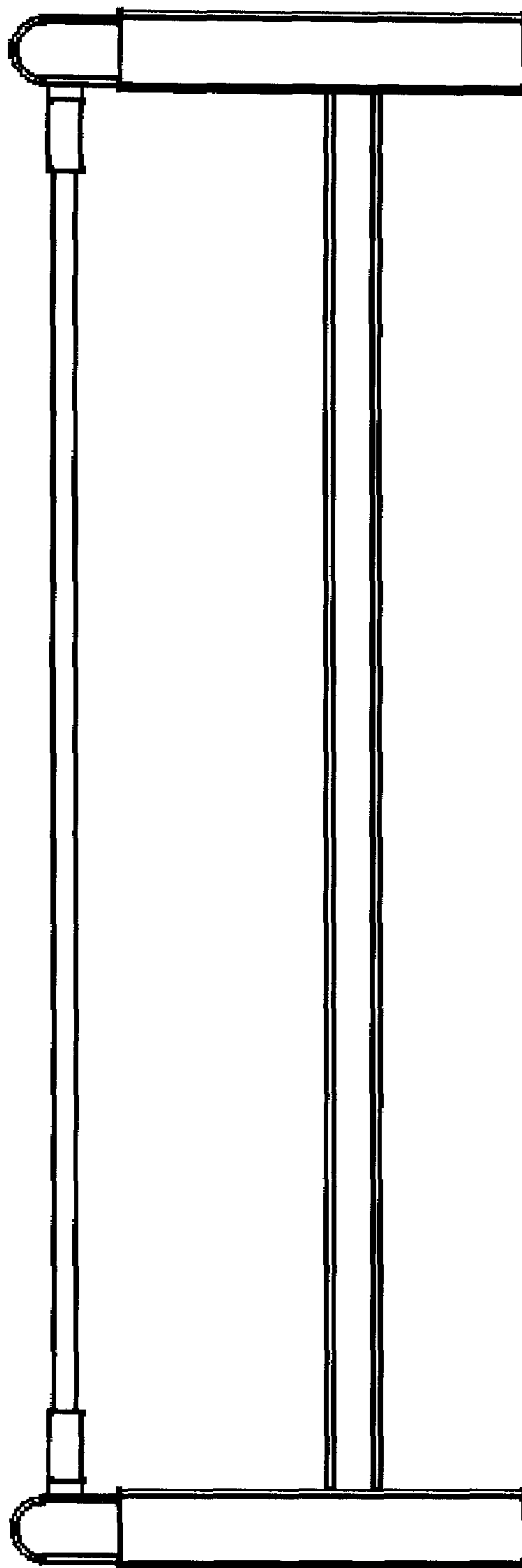


Figure 14