



US00D597769S

(12) **United States Design Patent**  
**Richter**

(10) **Patent No.:** **US D597,769 S**

(45) **Date of Patent:** **\*\* Aug. 11, 2009**

(54) **HEADREST FOR A SEAT**

(75) **Inventor:** **Torsten Richter**, Frankfurt am Main  
(DE)

(73) **Assignee:** **Sirona Dental Systems GmbH**,  
Bensheim (DE)

(\*\*) **Term:** **14 Years**

(21) **Appl. No.:** **29/287,409**

(22) **Filed:** **Aug. 1, 2007**

(30) **Foreign Application Priority Data**

Feb. 2, 2007 (EM) ..... 000662549-0001

(51) **LOC (9) Cl.** ..... **06-01**

(52) **U.S. Cl.** ..... **D6/501**

(58) **Field of Classification Search** ..... D6/501,  
D6/334, 356, 364, 365-367, 509, 502-503;  
297/391, 394, 369-397, 405, 410

See application file for complete search history.

(56) **References Cited**

**U.S. PATENT DOCUMENTS**

165,286	A	*	7/1875	White	.....	297/399
D247,312	S	*	2/1978	Zeiss	.....	D24/215
D259,689	S	*	6/1981	Handel	.....	D6/502
D307,526	S	*	5/1990	McIntyre et al.	.....	D6/601
D337,231	S	*	7/1993	Levien	.....	D6/601
D343,080	S	*	1/1994	Kentner	.....	D6/501
D357,834	S	*	5/1995	Nordstrom et al.	.....	D6/501

D398,793	S	*	9/1998	Maree et al.	.....	D6/501
D417,087	S	*	11/1999	Pellegrom	.....	D6/360
6,209,959	B1	*	4/2001	Meye	.....	297/393
D507,910	S	*	8/2005	Bock	.....	D6/501
D536,885	S	*	2/2007	Primmer	.....	D6/334
D541,086	S	*	4/2007	McNamee et al.	.....	D6/500
D542,071	S	*	5/2007	Chan	.....	D6/601

\* cited by examiner

*Primary Examiner*—Elizabeth A Albert

*Assistant Examiner*—Kelley A Donnelly

(74) *Attorney, Agent, or Firm*—Dykema Gossett PLLC

(57) **CLAIM**

The ornamental design for a headrest for a seat, as shown and described.

**DESCRIPTION**

FIG. 1 is a top perspective view of a headset for a seat showing my new and ornamental design,

FIG. 2 is a rear view thereof,

FIG. 3 is a right side view thereof,

FIG. 4 is a top plan view thereof,

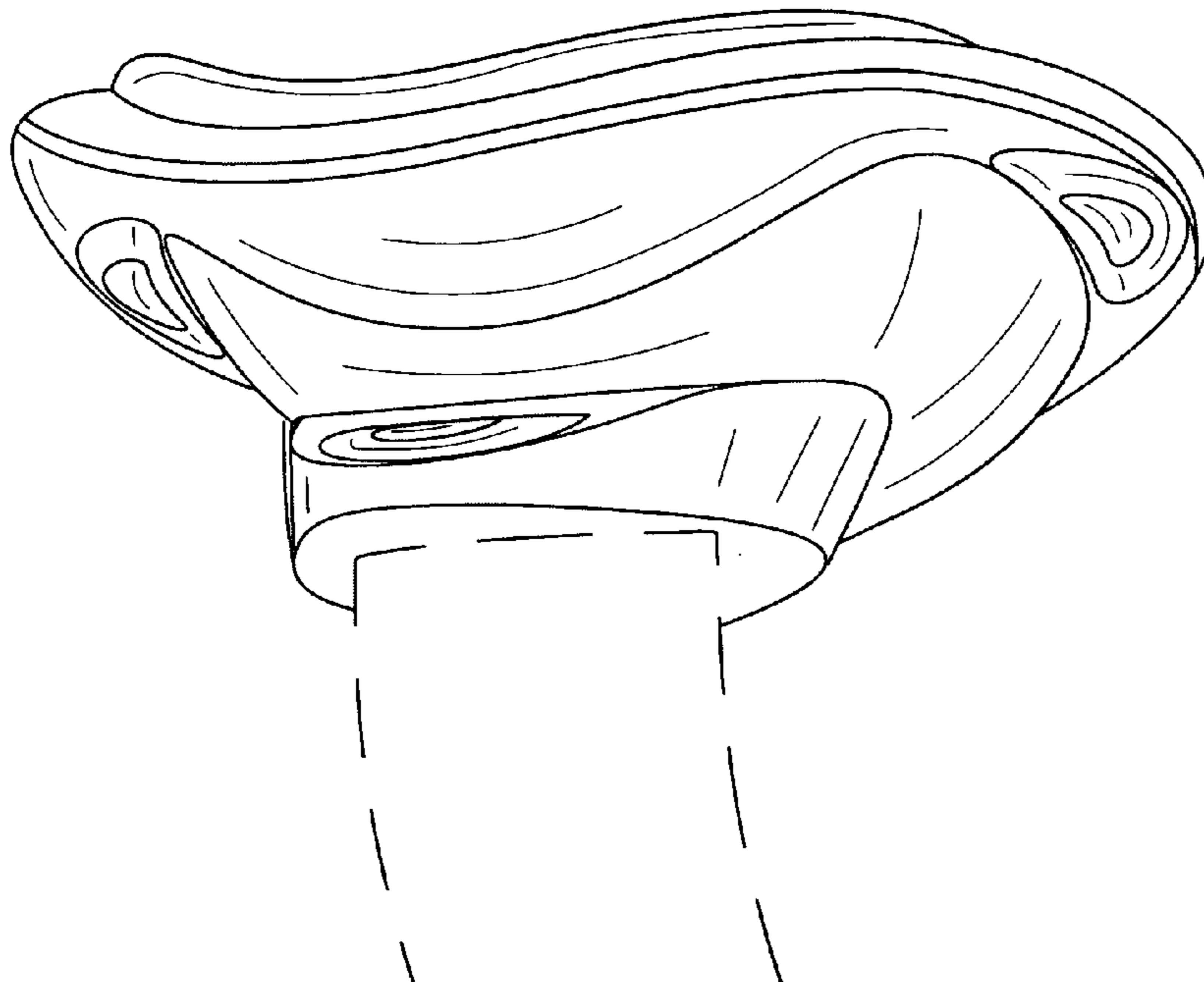
FIG. 5 is a left side view thereof,

FIG. 6 is a bottom view thereof; and,

FIG. 7 is a front view thereof.

The broken lines which define the bounds of the claimed design in FIGS. 1-7 form no part thereof.

**1 Claim, 7 Drawing Sheets**



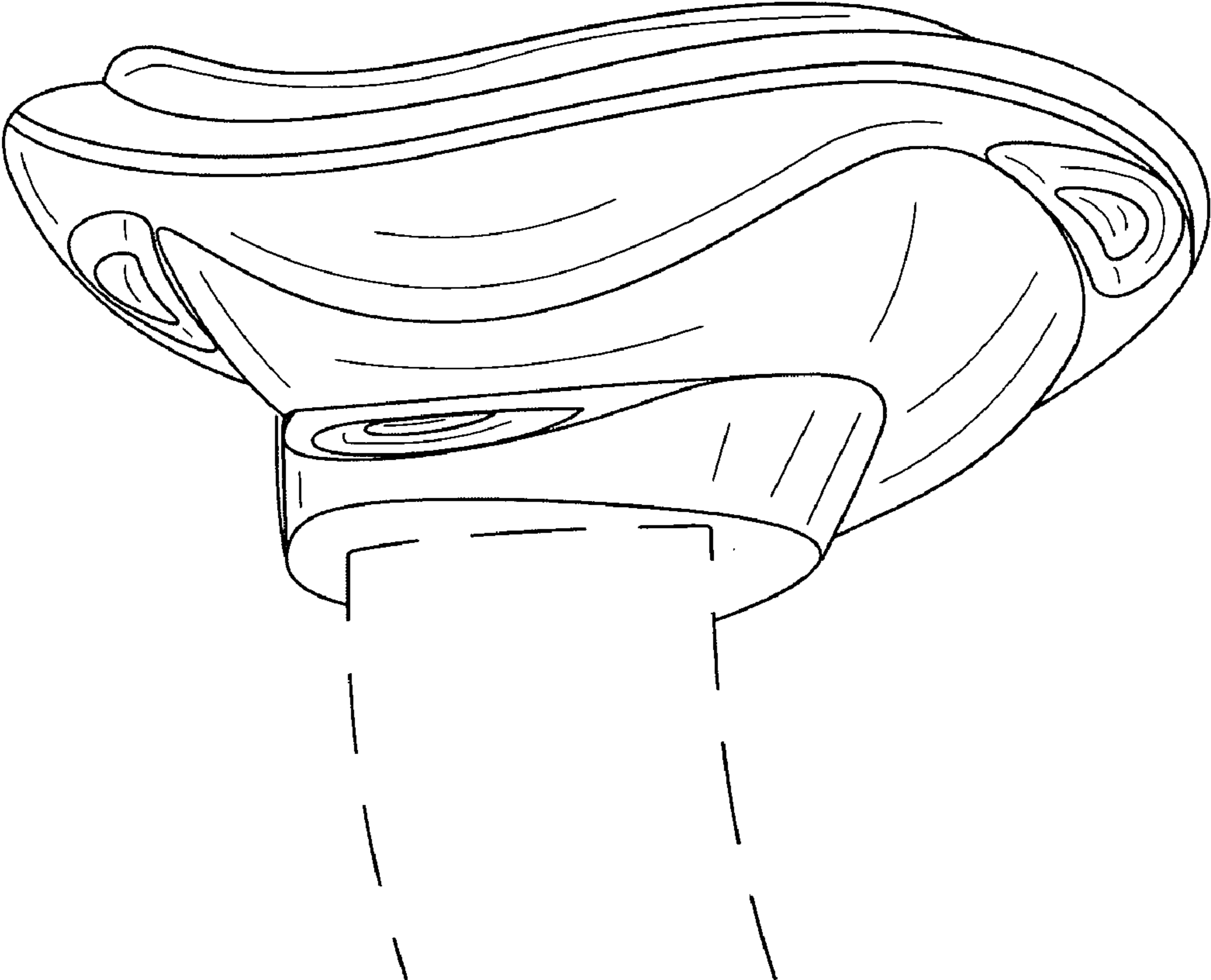


Fig. 1

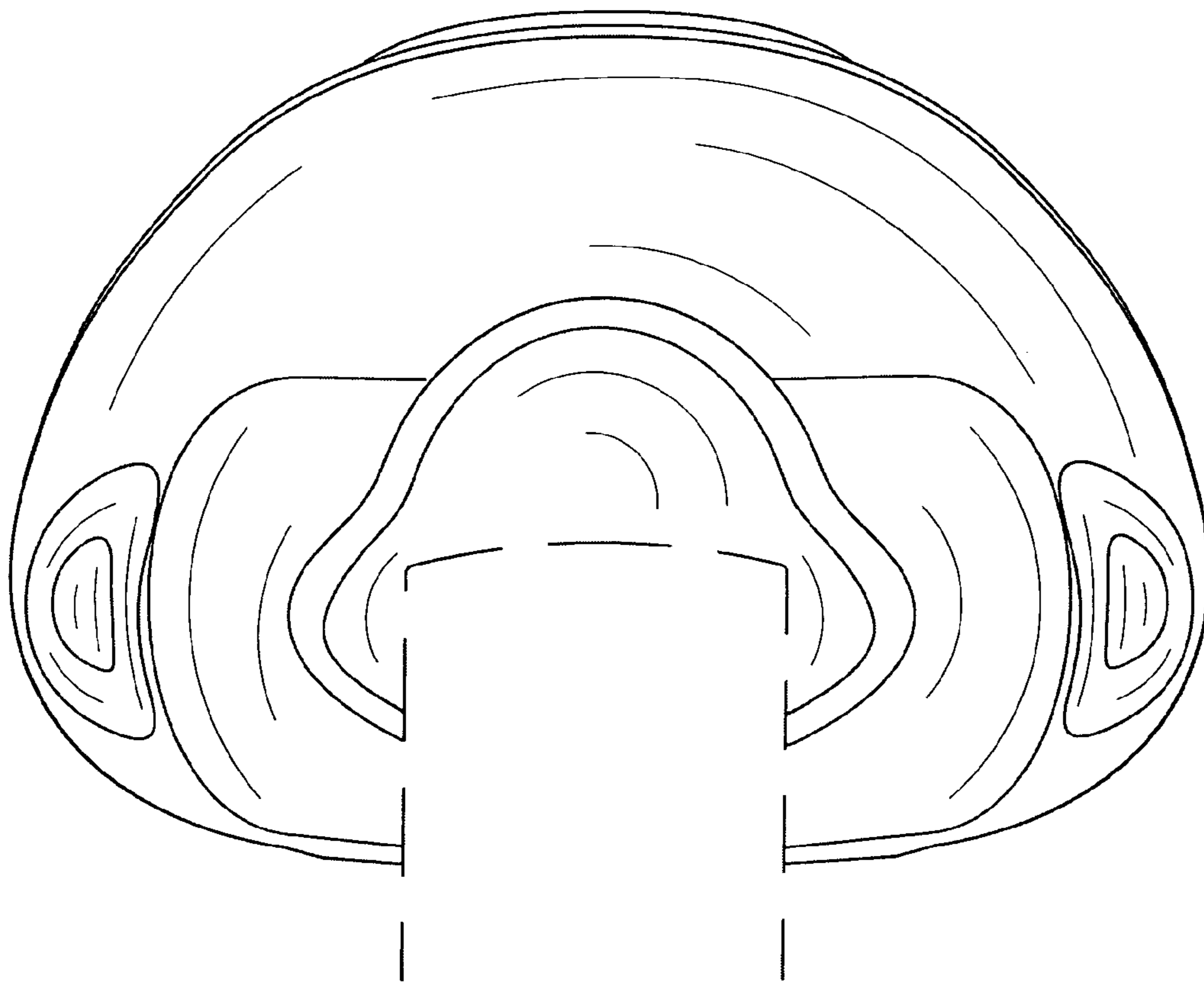


Fig. 2

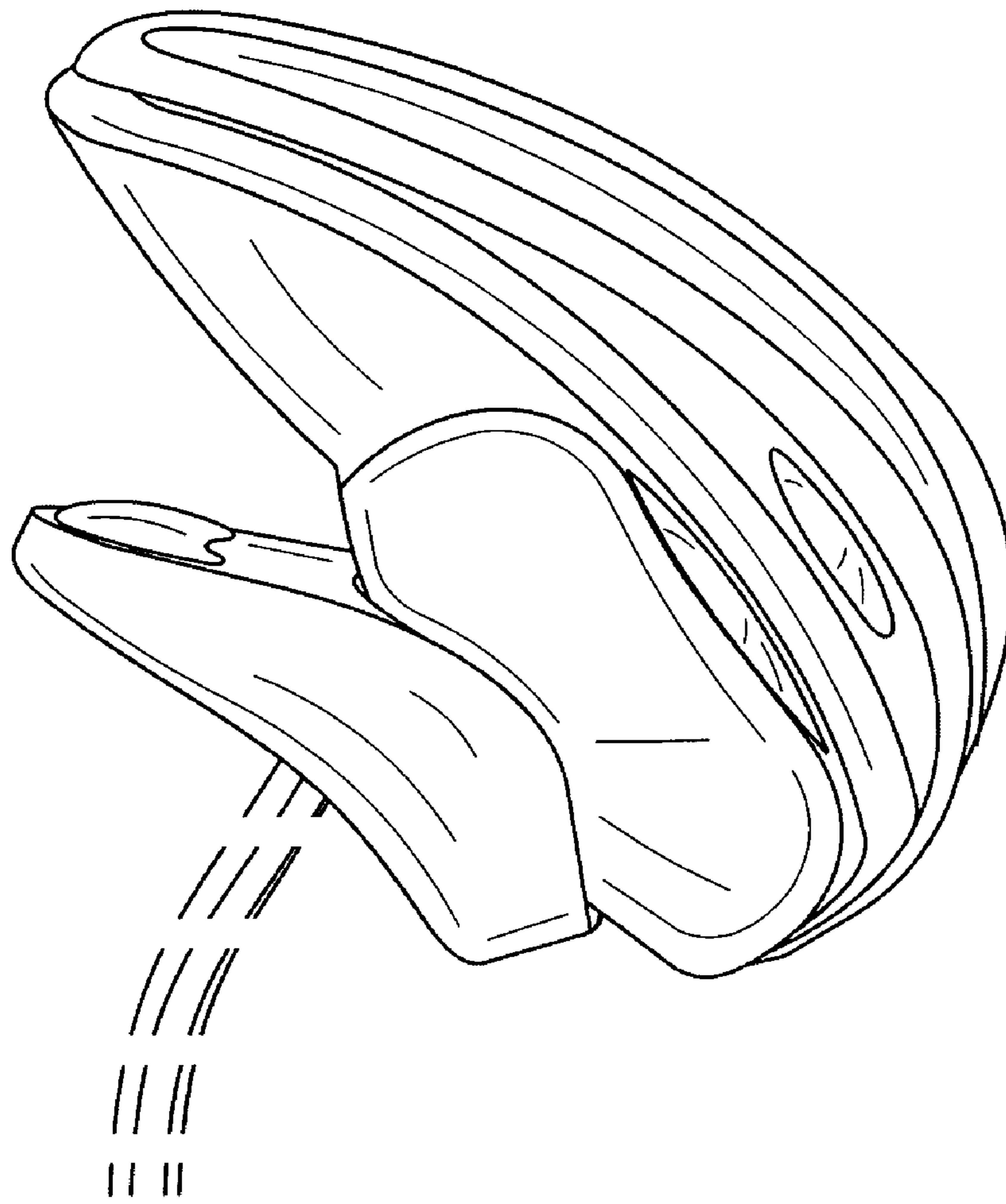


Fig. 3

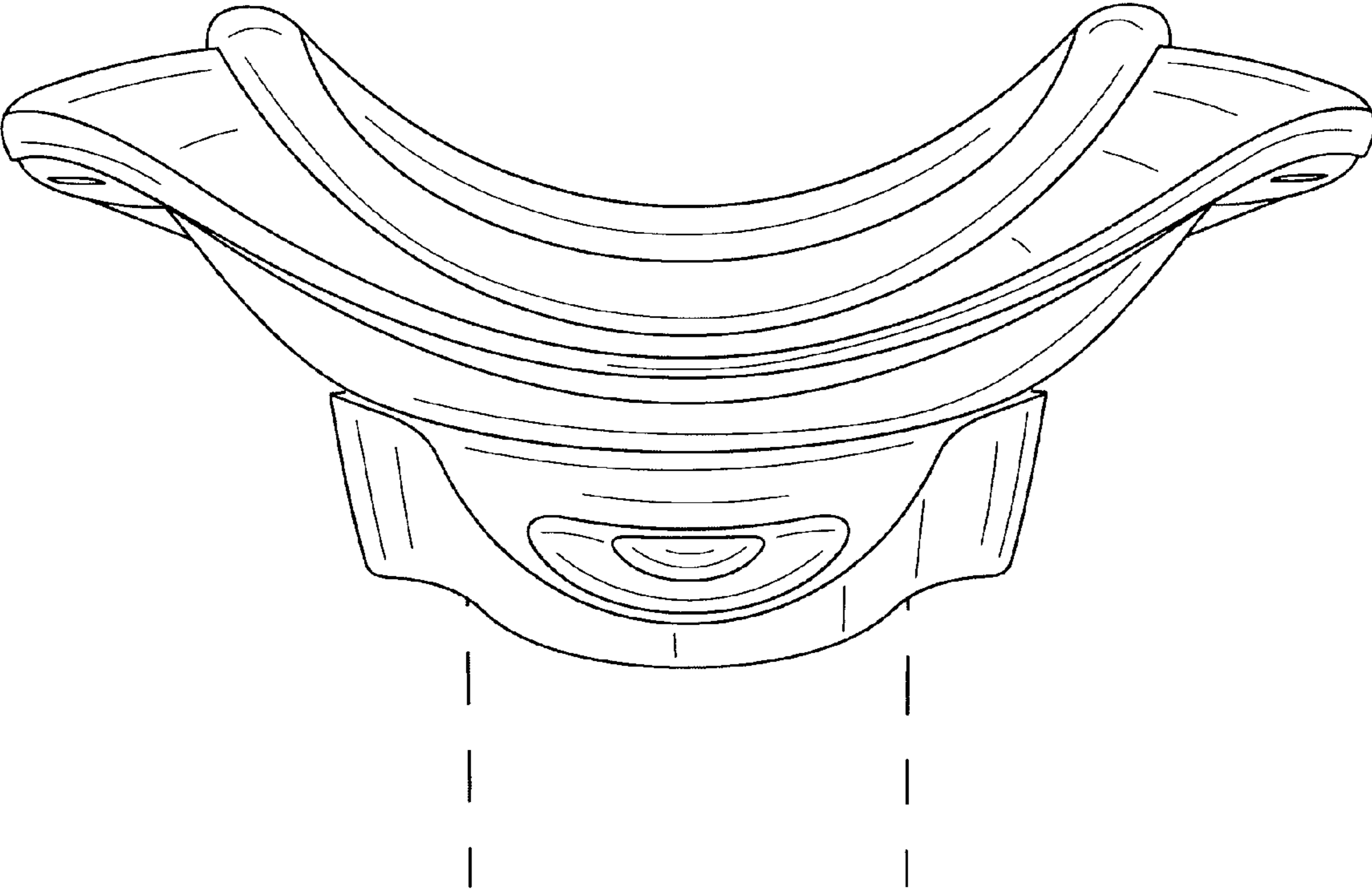


Fig. 4

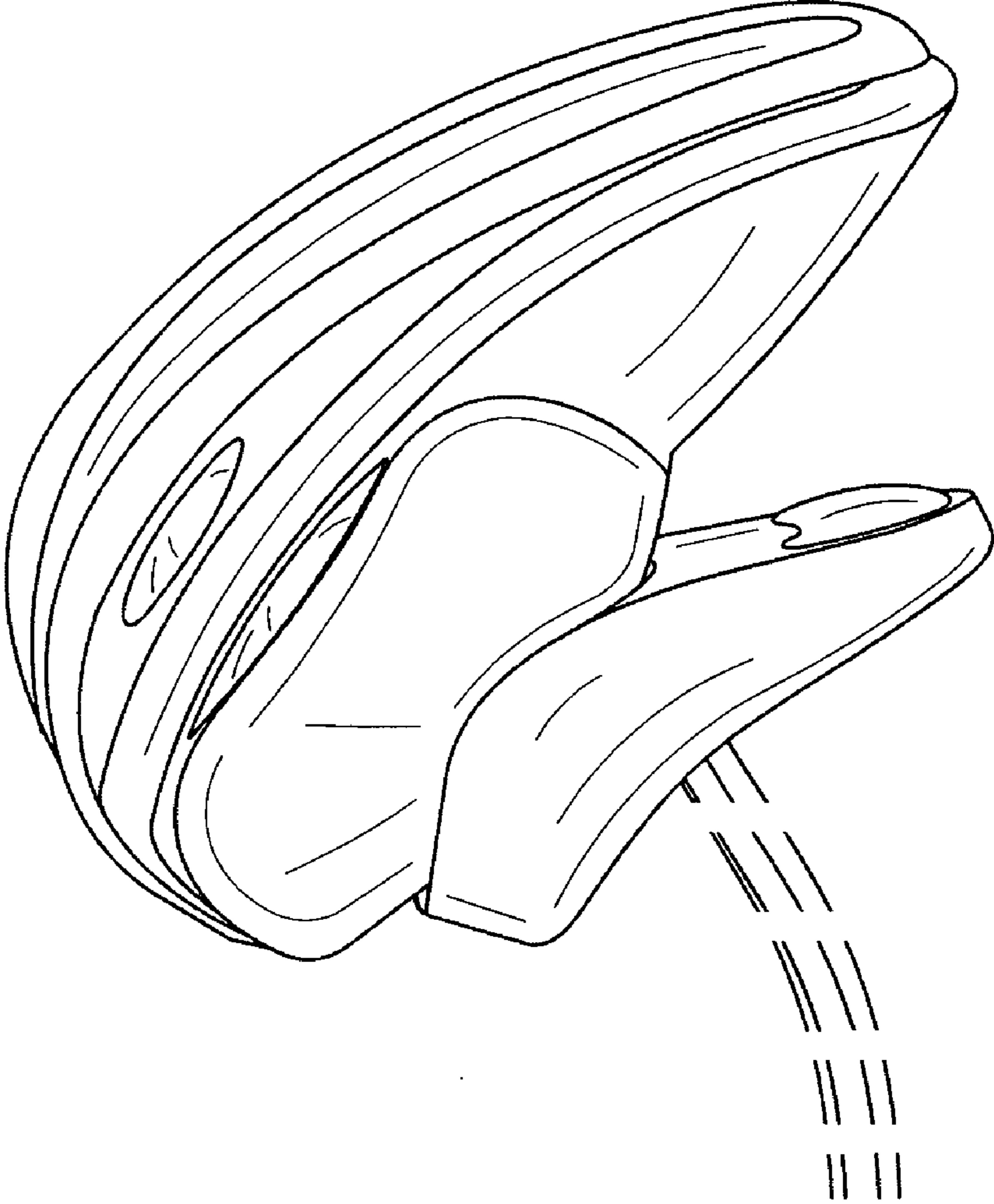


Fig. 5

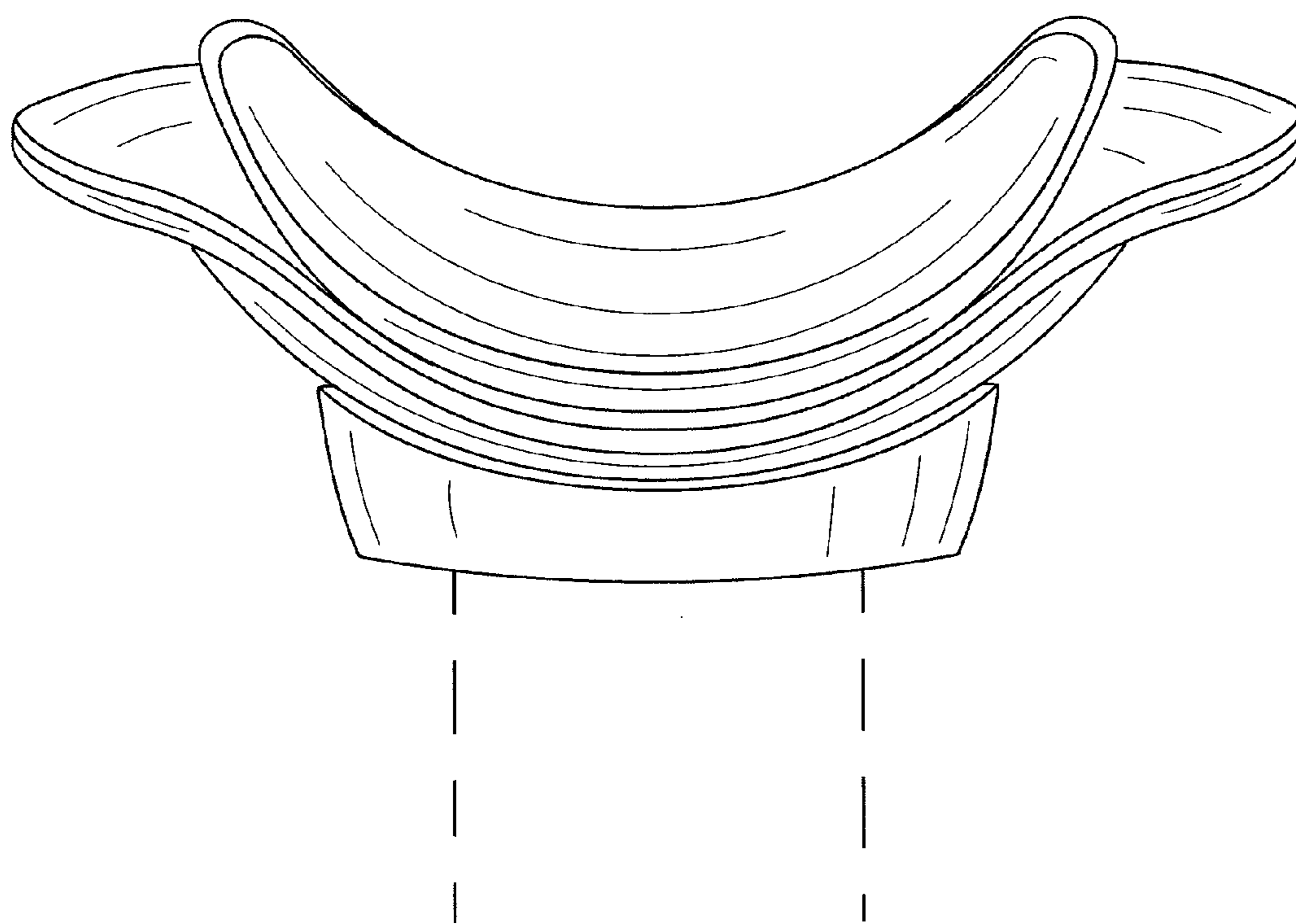


Fig. 6

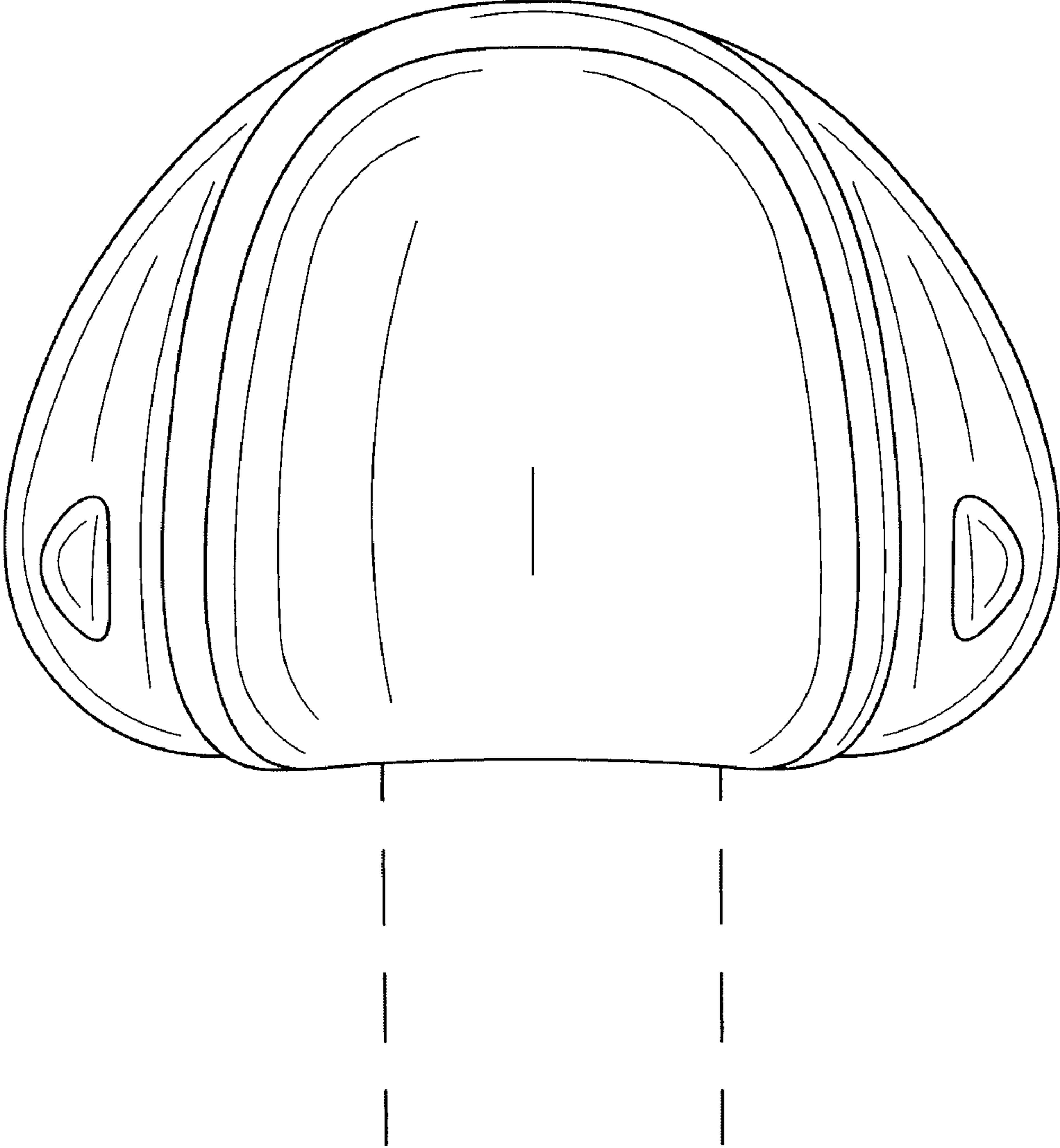


Fig. 7