



US00D597768S

(12) **United States Design Patent**
Schmitt

(10) **Patent No.:** **US D597,768 S**

(45) **Date of Patent:** **** Aug. 11, 2009**

- (54) **TABLE**
- (75) Inventor: **Jack Schmitt**, San Juan Capistrano, CA (US)
- (73) Assignee: **Amini Innovation Corporation**, Pico Rivera, CA (US)
- (**) Term: **14 Years**
- (21) Appl. No.: **29/294,570**
- (22) Filed: **Jan. 19, 2008**
- (51) **LOC (9) Cl.** **06-03**
- (52) **U.S. Cl.** **D6/480**
- (58) **Field of Classification Search** D6/480-489, D6/495-499, 429-431, 511; 108/150, 153.1, 108/156, 157.1, 161; 248/188, 188.1, 188.8
See application file for complete search history.

D449,186 S	10/2001	O'Hare et al.	
6,363,866 B1	4/2002	Schwartz	
D457,357 S	5/2002	Vaaler	
D457,759 S	5/2002	O'Hare et al.	
D460,881 S	7/2002	Stanton	
D462,855 S	9/2002	McDaniel et al.	
D464,828 S	10/2002	Vaaler	
D470,342 S	2/2003	Vaaler	
D473,077 S	4/2003	Berry, Jr. et al.	
D478,747 S	8/2003	Warren et al.	
D486,014 S	2/2004	Schmitt	
D486,327 S	2/2004	Schmitt	
D512,856 S	12/2005	Peterson et al.	
D540,069 S	4/2007	Schmitt	
D544,728 S *	6/2007	Schmitt D6/480
D569,660 S *	5/2008	Schmitt D6/480

(56) **References Cited**

U.S. PATENT DOCUMENTS

D64,386 S	4/1924	Arons	
D78,457 S	5/1929	Ekvall	
D161,212 S	12/1950	Scalera	
D179,301 S	11/1956	Jones et al.	
D182,911 S	5/1958	Lubberts et al.	
4,878,439 A	11/1989	Samson	
D323,086 S	1/1992	Arcese et al.	
D328,990 S	9/1992	Kwiescinski	
D344,421 S	2/1994	Keller	
D346,713 S	5/1994	Ferguson	
D350,446 S	9/1994	Sauvage	
D375,217 S	11/1996	Rehmert	
D380,315 S	7/1997	Bergelin	
D388,980 S	1/1998	Mohundro	
D393,964 S	5/1998	Bergelin	
D412,632 S	8/1999	Walters, III et al.	
D425,733 S	5/2000	O'Hare	
D431,131 S	9/2000	Wistehuff, Sr.	
D434,583 S	12/2000	Hutton	
D445,607 S *	7/2001	O'Hare et al. D6/480
D448,213 S	9/2001	O'Hare et al.	
D448,951 S	10/2001	O'Hare et al.	
D448,952 S	10/2001	O'Hare et al.	

OTHER PUBLICATIONS

- Ethan Allen Circular, Legacy Collection dining table, p. 5, 1996.
- Furniture Today, p. 158, Oct. 19, 1998.
- Amini Innovation Corp. Monte Carlo Collection, #53000 Series, 2001, 1 page.
- Amini Innovation Corp. La Francaise Collection, #50000 Series, Sep. 11, 2002, 2 pages.
- Amini Innovation Corp. Torino Collection, #56000 Series, Apr. 18, 2002, 1 page.
- Amini Innovation corp. Excelsior Double Pedastal Table, Sep. 14, 2004, 1 page.
- Amini Innovation Corp. Trevi Collection, Sep. 20, 2004, 2 pages.

* cited by examiner

Primary Examiner—Janice E Seeger
(74) *Attorney, Agent, or Firm*—Cislo & Thomas, LLP

(57) **CLAIM**

The ornamental design for a table, as shown and described.

DESCRIPTION

- FIG. 1 is a perspective view of my table;
- FIG. 2 is a top view thereof;
- FIG. 3 is a front view thereof; and,
- FIG. 4 is a side view of my table.

1 Claim, 4 Drawing Sheets

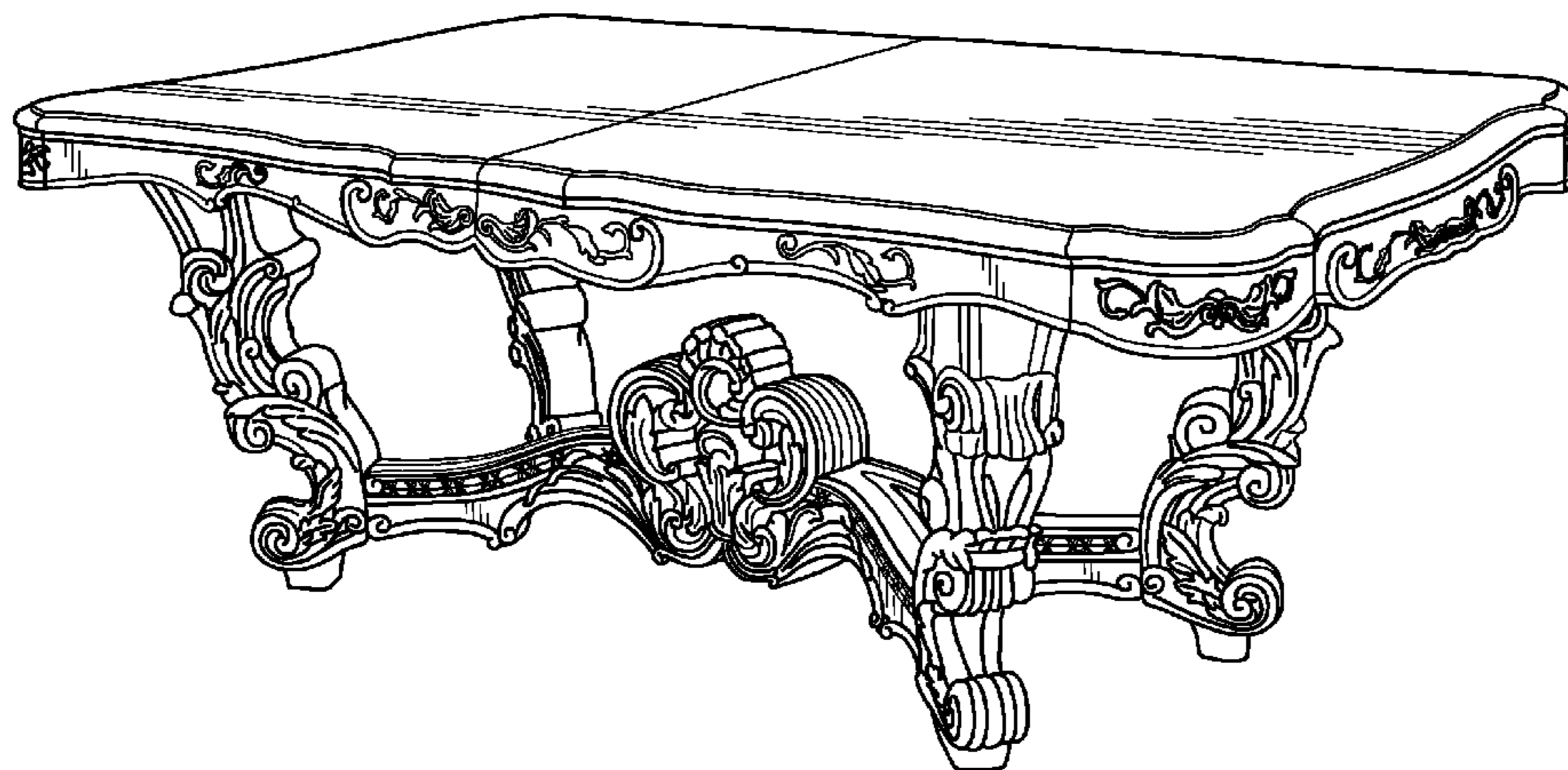
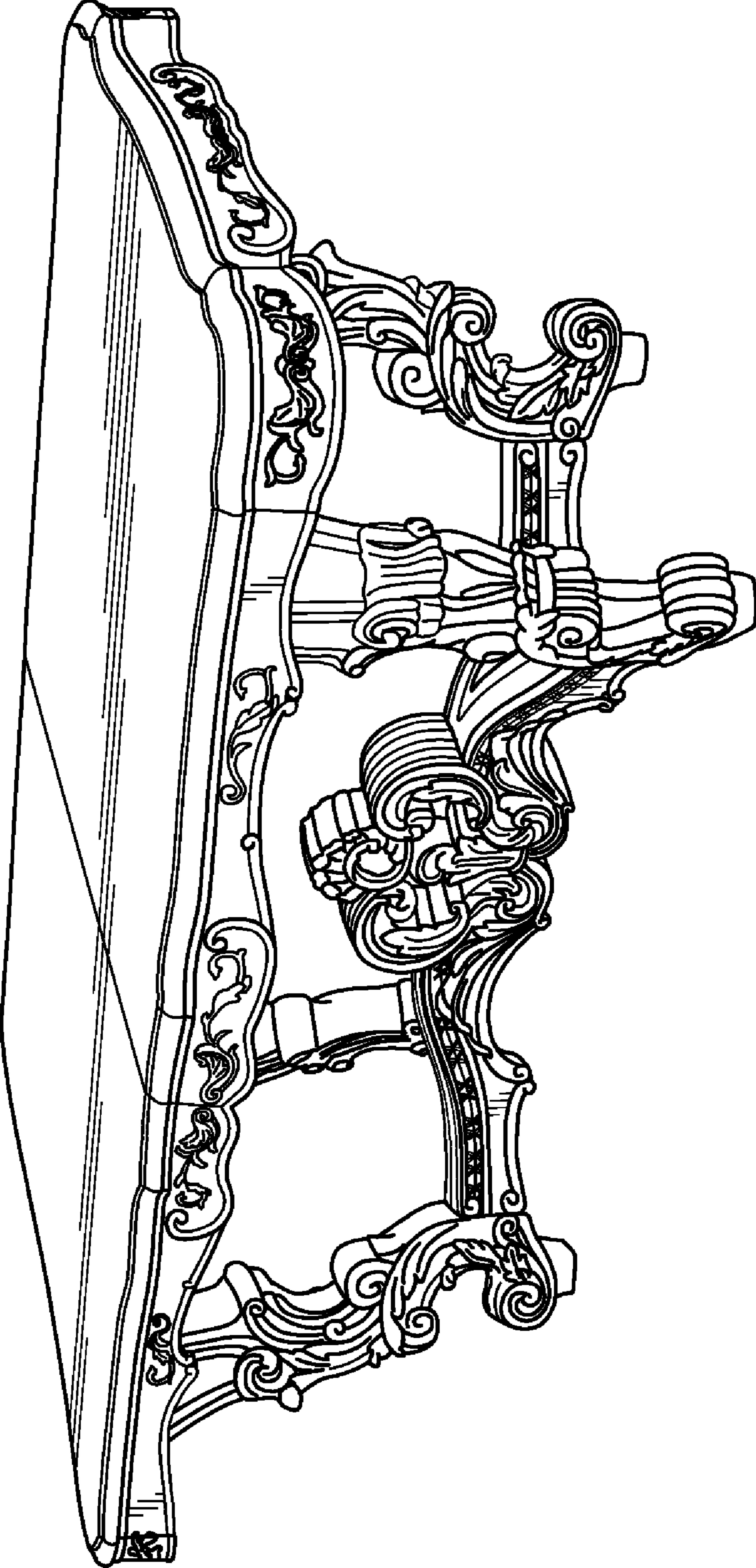


FIG. 1



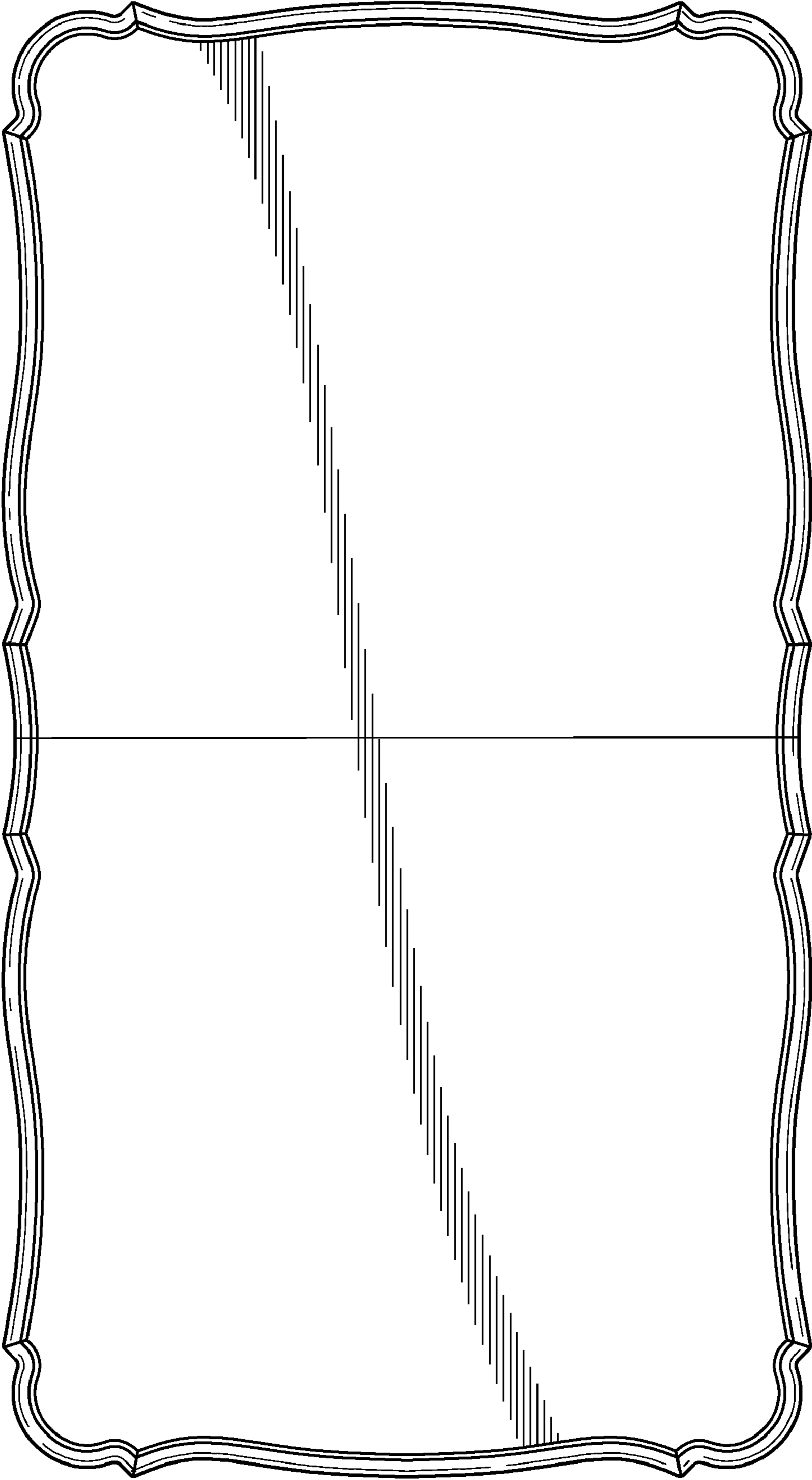


FIG. 2

FIG. 3

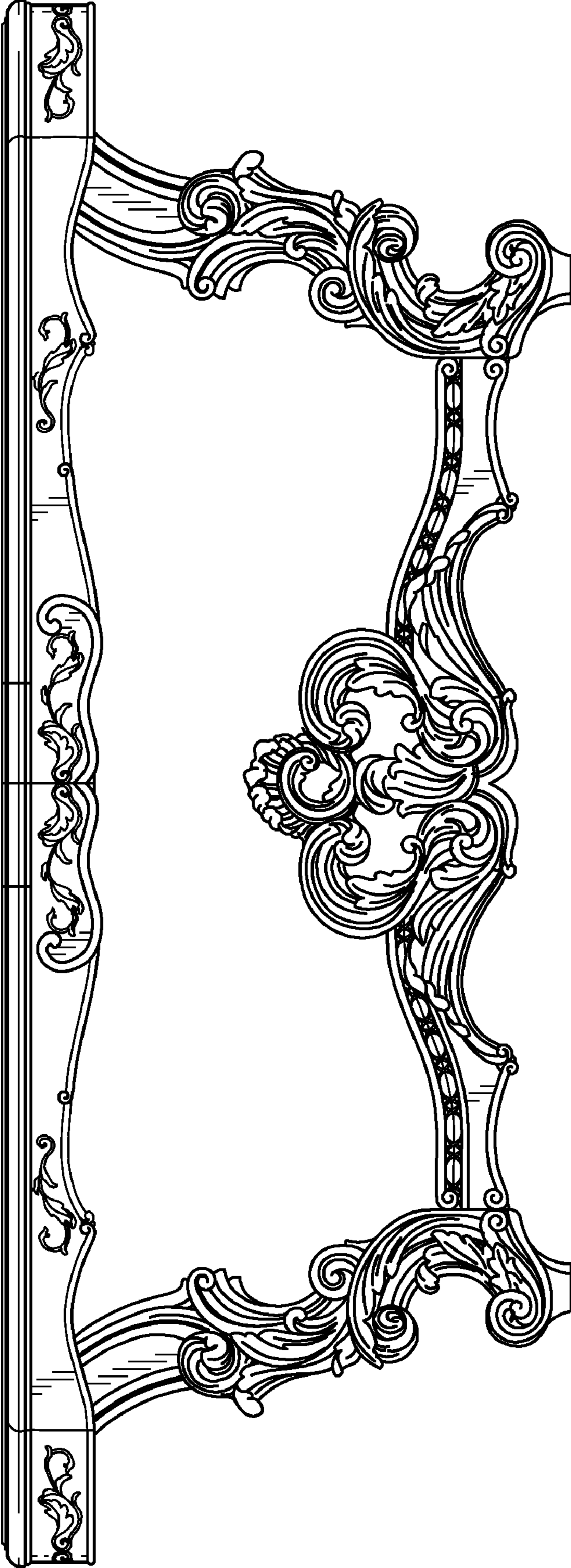


FIG. 4

