



US00D597767S

(12) **United States Design Patent**  
**Colin**

(10) **Patent No.:** **US D597,767 S**

(45) **Date of Patent:** **\*\* Aug. 11, 2009**

(54) **DISPLAY BIN**

(75) Inventor: **Maria Alejandra Noble Colin**, Mexico City (MX)

(73) Assignee: **Sabritas, S. DE R.L. DE C.V.**, Colonia Bosques De Las Lomas (MX)

(\*\*) Term: **14 Years**

(21) Appl. No.: **29/327,597**

(22) Filed: **Nov. 10, 2008**

(51) **LOC (9) Cl.** ..... **06-04**

(52) **U.S. Cl.** ..... **D6/470**

(58) **Field of Classification Search** ..... D6/455,  
D6/461, 470-472, 475, 457-458; 312/128,  
312/116; 211/85.4, 70.3, 85.2, 85.1, 58,  
211/70, 78; 108/91-92, 94, 59; D25/16,  
D25/31; D18/36; D9/643

See application file for complete search history.

(56) **References Cited**

**U.S. PATENT DOCUMENTS**

D213,096 S *	1/1969	Antonio	.....	D25/16
D244,981 S *	7/1977	Austin	.....	D6/464
D249,311 S *	9/1978	Coulthurst	.....	D6/457
D261,682 S *	11/1981	Hoover	.....	D25/16
D294,208 S *	2/1988	Noyes et al.	.....	D6/457
D381,433 S *	7/1997	Priestley et al.	.....	D25/16
D417,093 S *	11/1999	Fan	.....	D6/470
D423,252 S *	4/2000	Miranda	.....	D6/459
D429,091 S *	8/2000	Chen	.....	D6/461
D434,610 S *	12/2000	Mount	.....	D7/608
D462,545 S *	9/2002	Malle	.....	D6/472
D473,075 S *	4/2003	Malle	.....	D6/472
D502,836 S *	3/2005	Chan	.....	D6/634
D527,252 S *	8/2006	Bolt et al.	.....	D9/418
D550,480 S *	9/2007	Shoui et al.	.....	D6/472
7,353,638 B2 *	4/2008	Salemi	.....	52/27.5

\* cited by examiner

*Primary Examiner*—Elizabeth A Albert

*Assistant Examiner*—Kelley A Donnelly

(74) *Attorney, Agent, or Firm*—Colin P. Cahoon; Carstens & Cahoon, LLP

(57) **CLAIM**

The ornamental design for a display bin, as shown and described.

**DESCRIPTION**

FIG. 1 is a front perspective view of the first embodiment of the present invention;

FIG. 2 is a front elevation view of the first embodiment of the present invention;

FIG. 3 is a left elevation view of the first embodiment of the present invention. with the right elevation view identical to the left elevation view;

FIG. 4 is a rear elevation view of the first embodiment of the present invention;

FIG. 5 is a top plan view of the first embodiment of the present invention;

FIG. 6 is a bottom plan view of the first embodiment of the present invention;

FIG. 7 is a front perspective view of the second embodiment of the present invention;

FIG. 8 is a front elevation view of the second embodiment of the present invention;

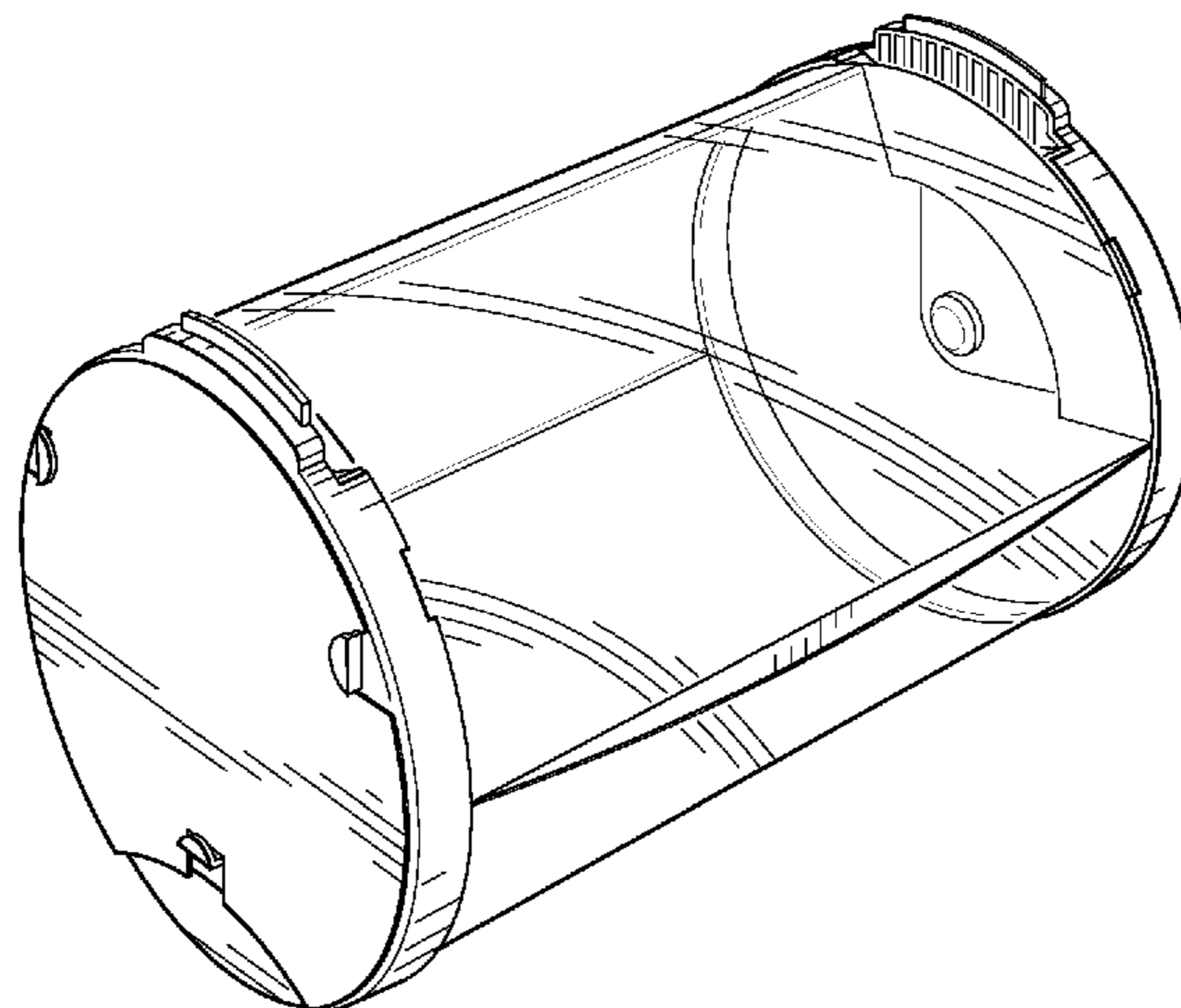
FIG. 9 is a left elevation view of the second embodiment of the present invention, with the right elevation view identical to the left elevation view;

FIG. 10 is a rear elevation view of the second embodiment of the present invention;

FIG. 11 is a top plan view of the second embodiment of the present invention; and,

FIG. 12 is a bottom plan view of the second embodiment of the present invention.

**1 Claim, 4 Drawing Sheets**



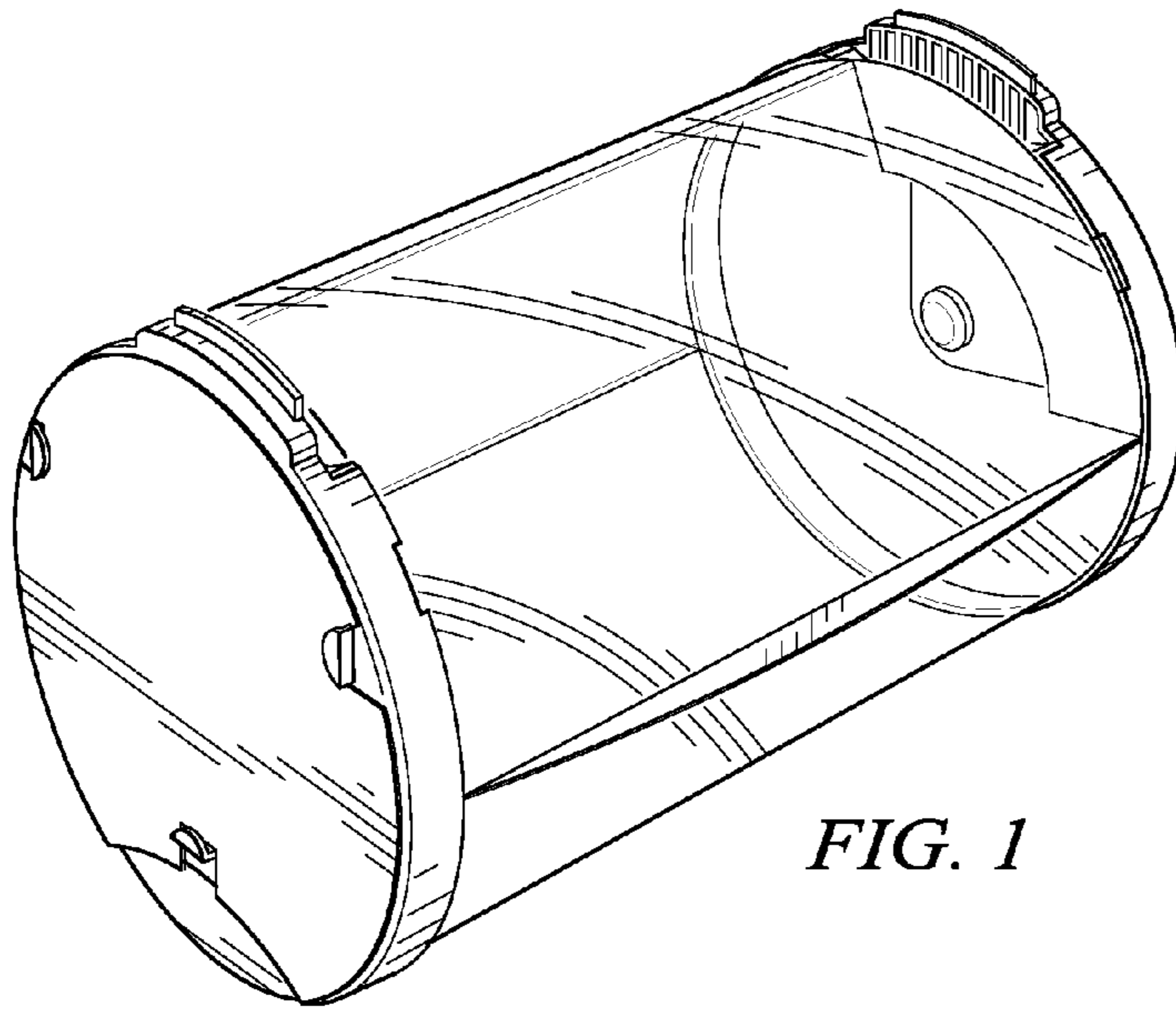


FIG. 1

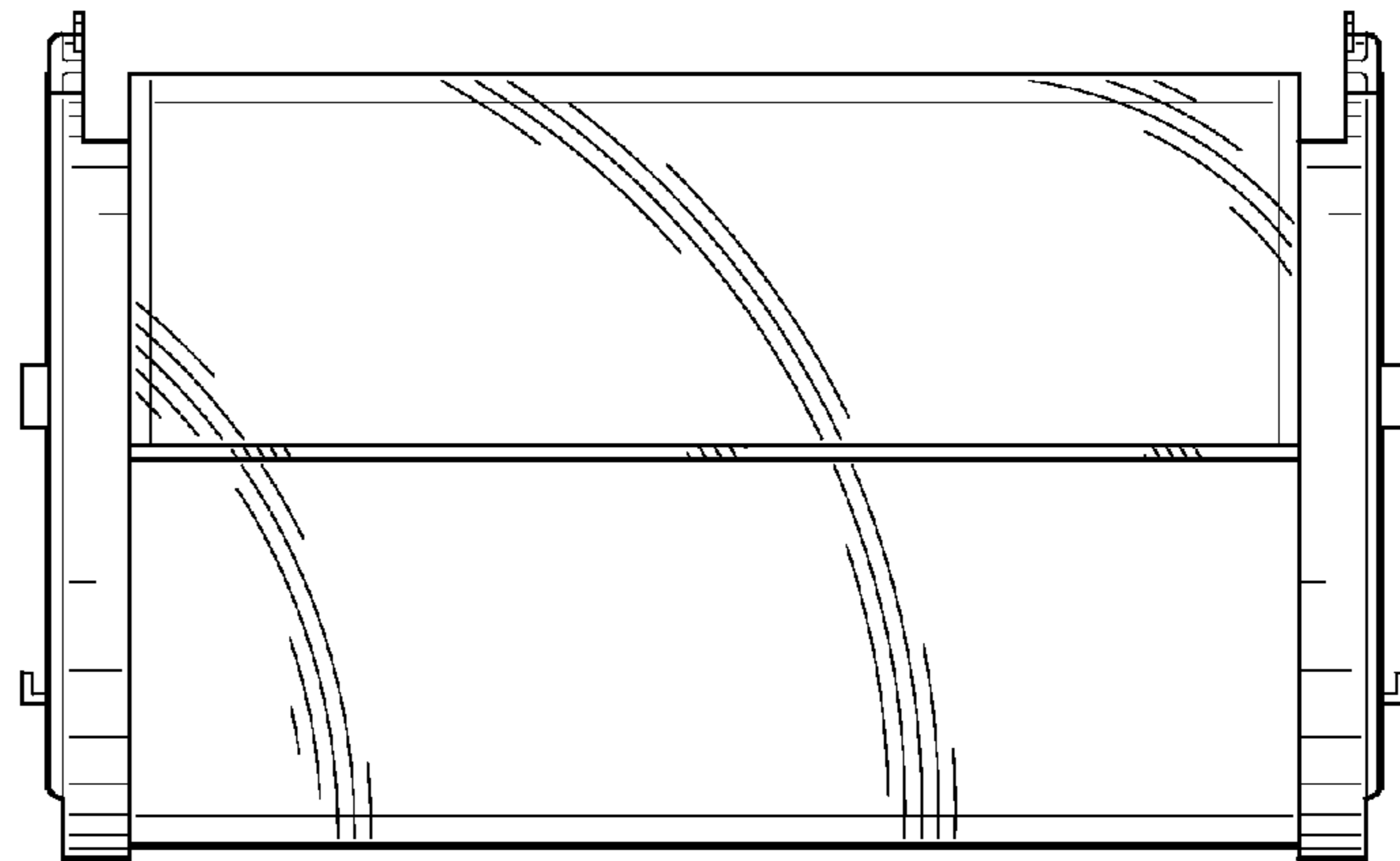


FIG. 2

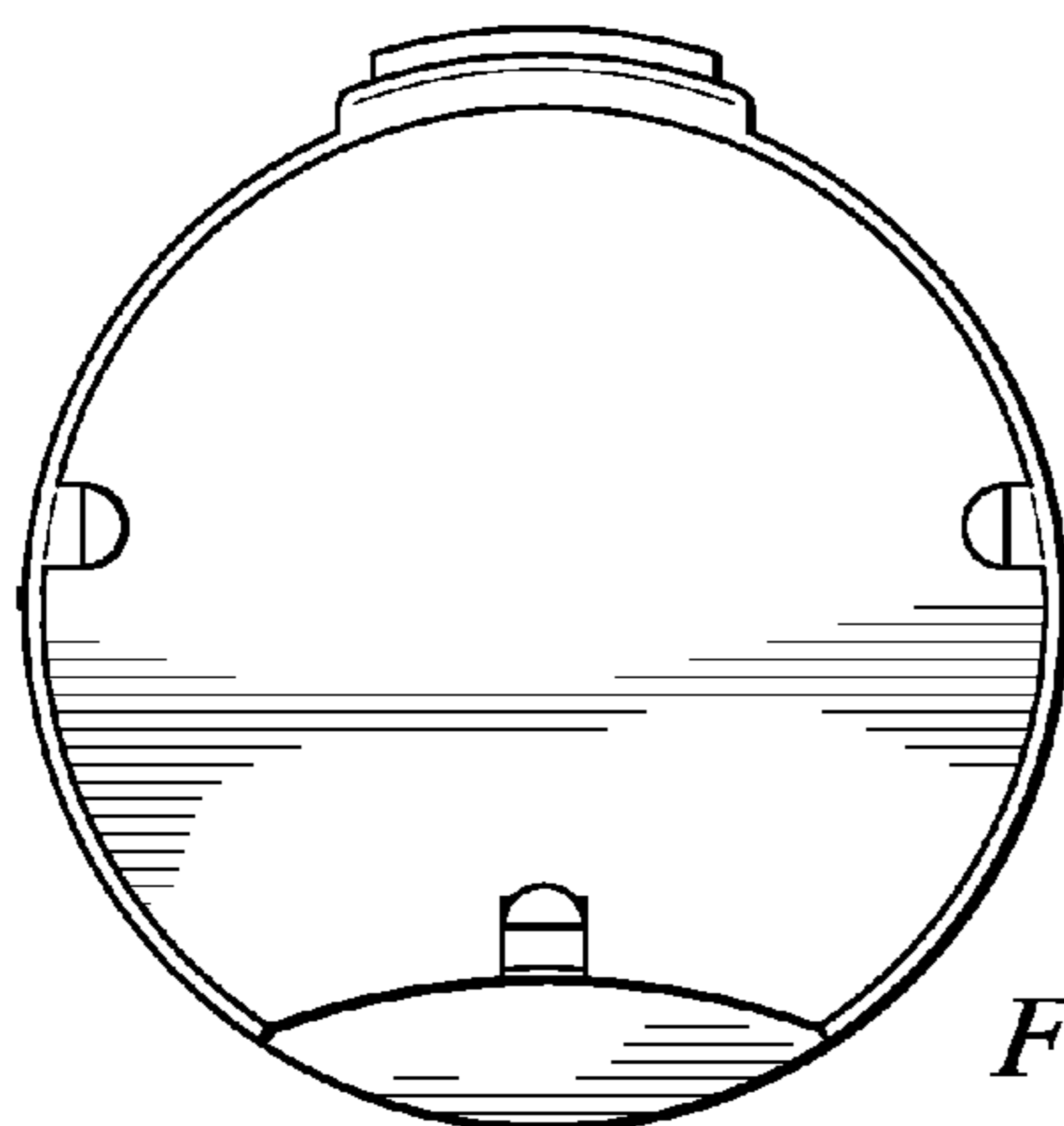


FIG. 3

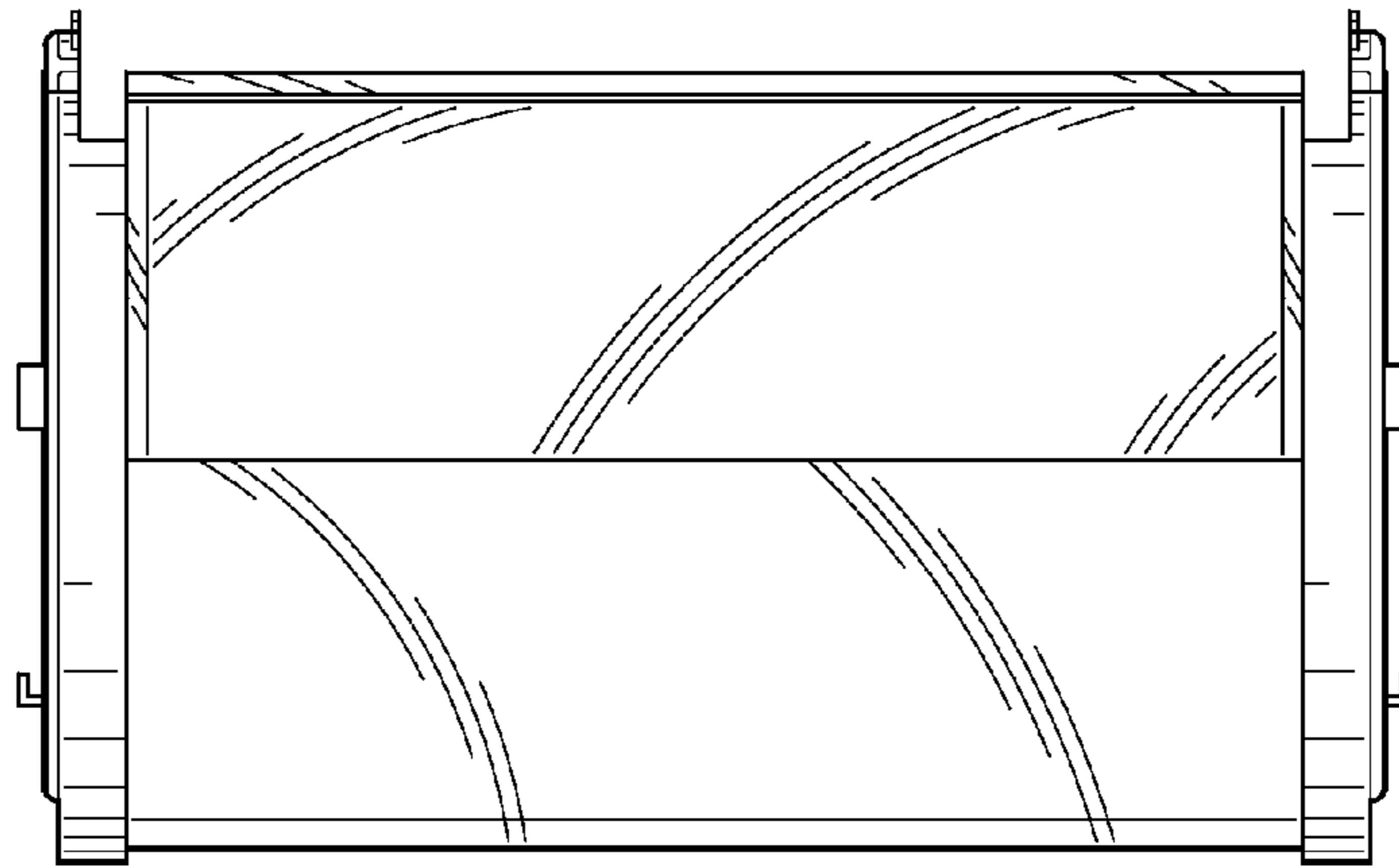


FIG. 4

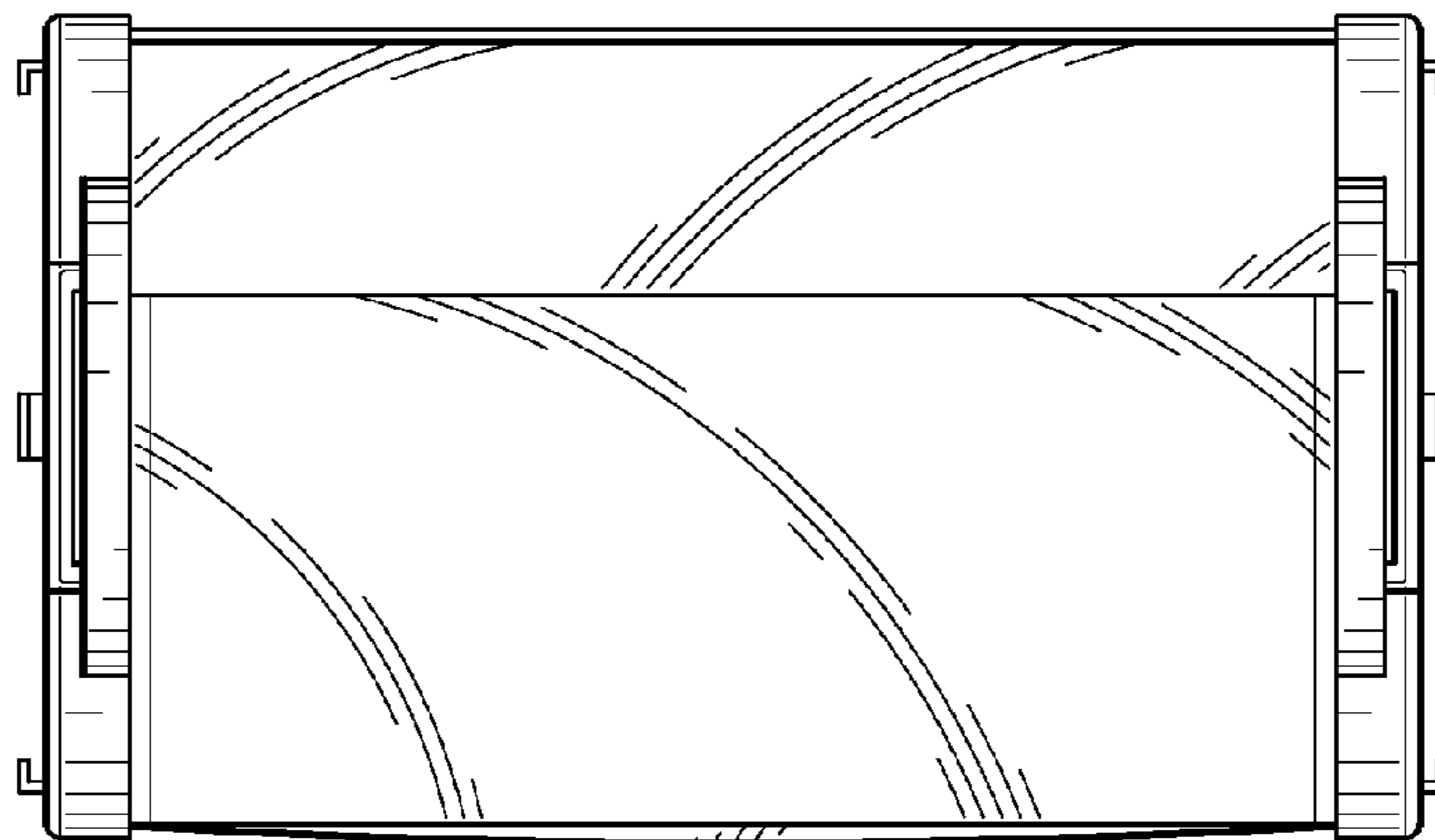


FIG. 5

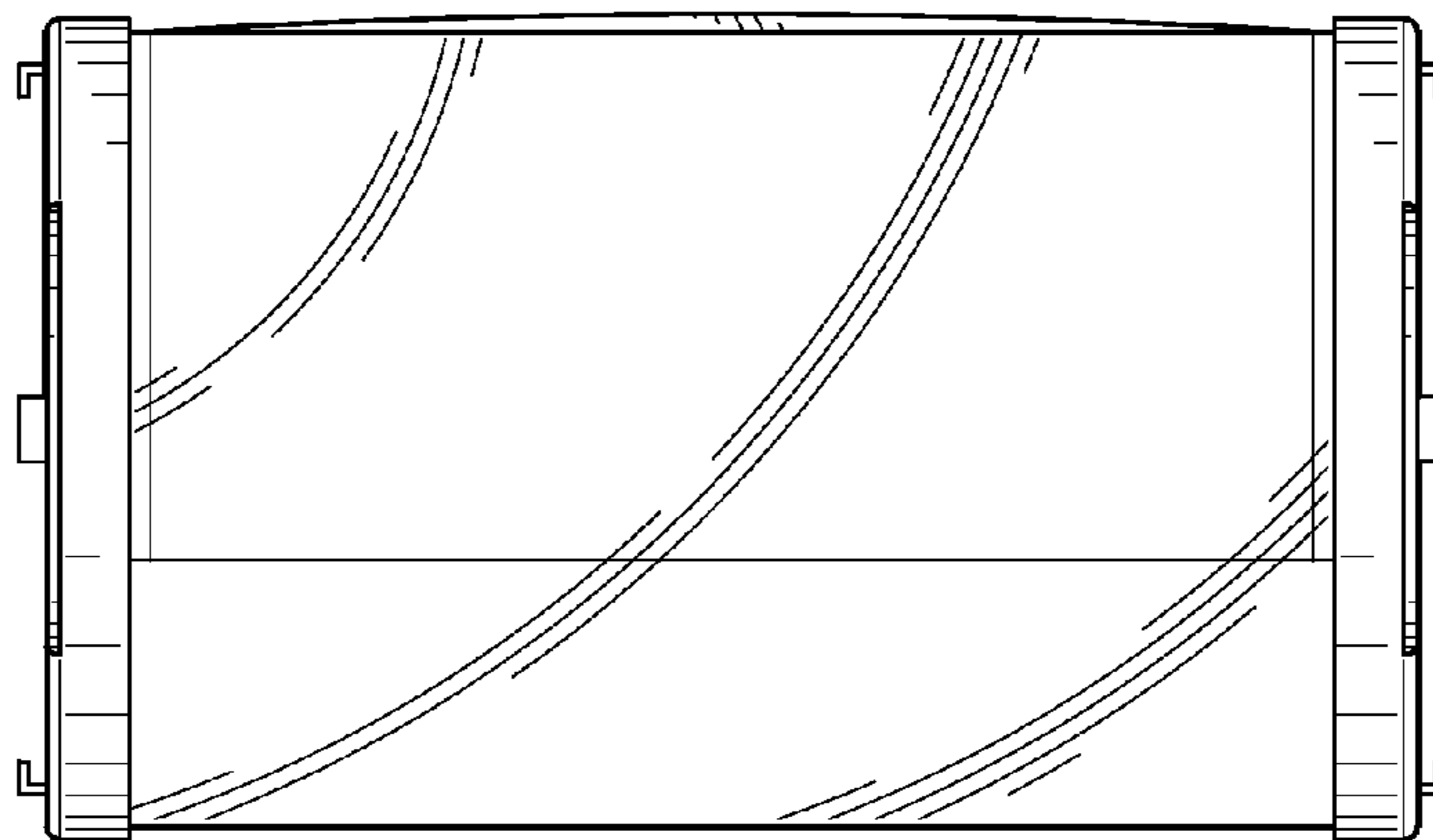
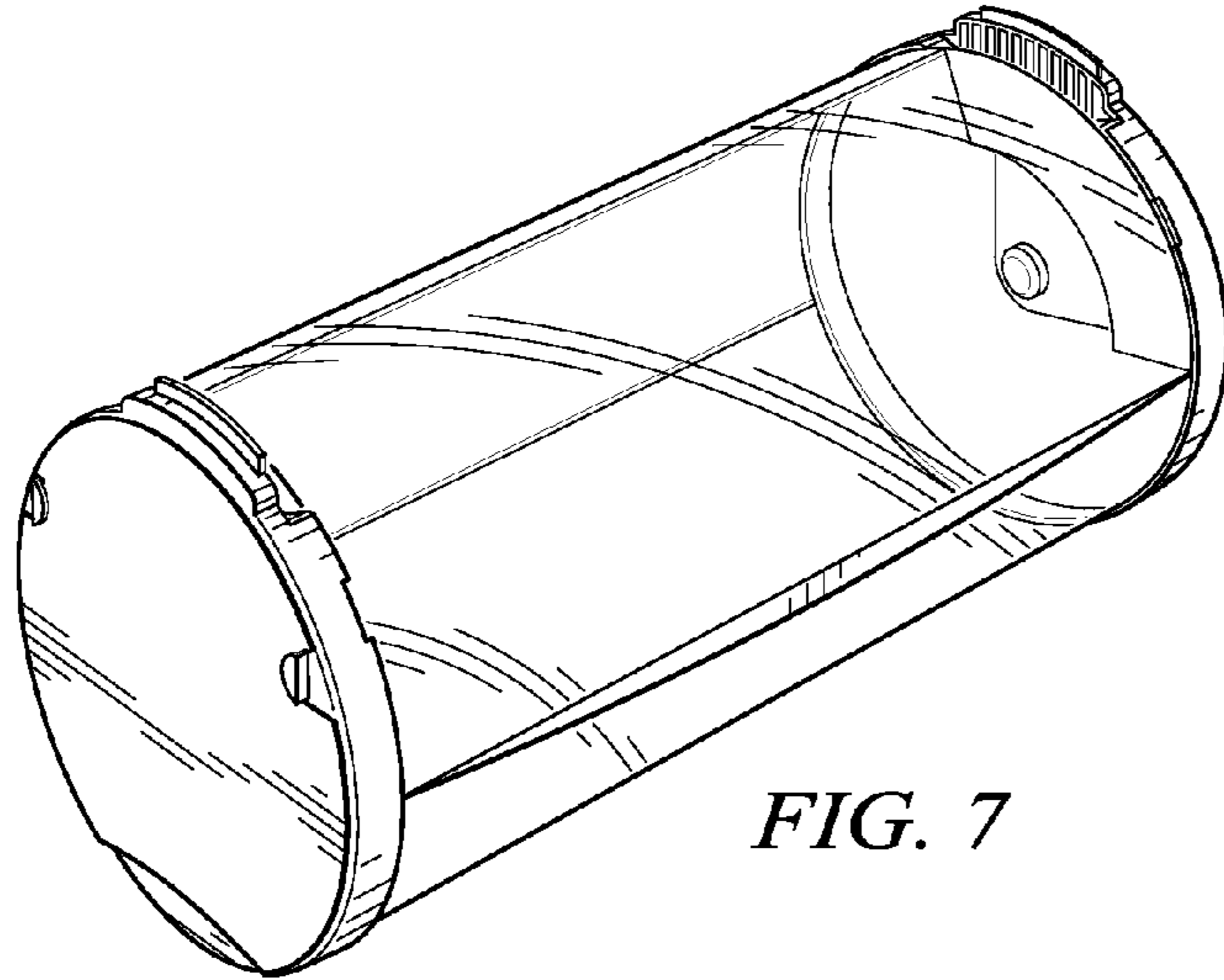
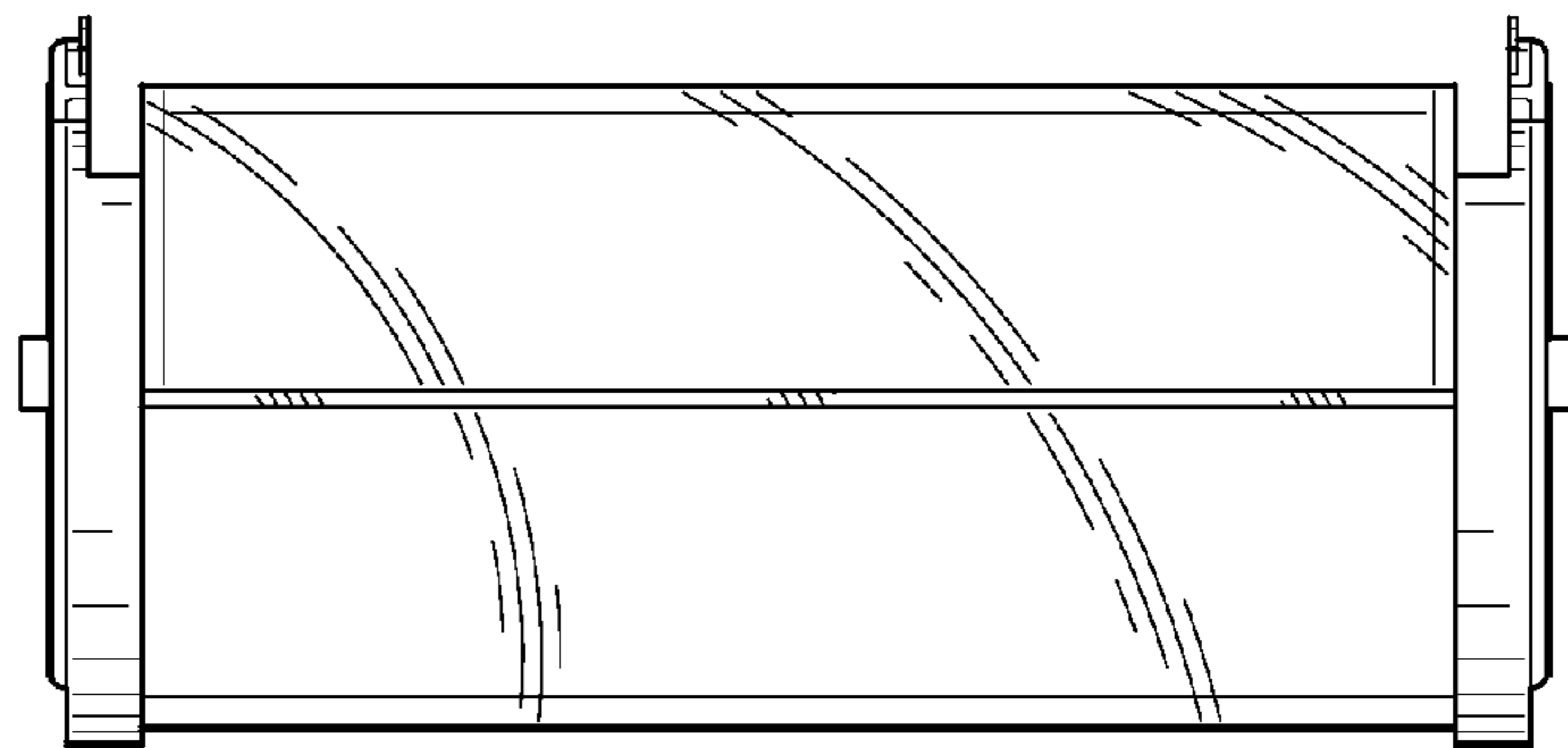


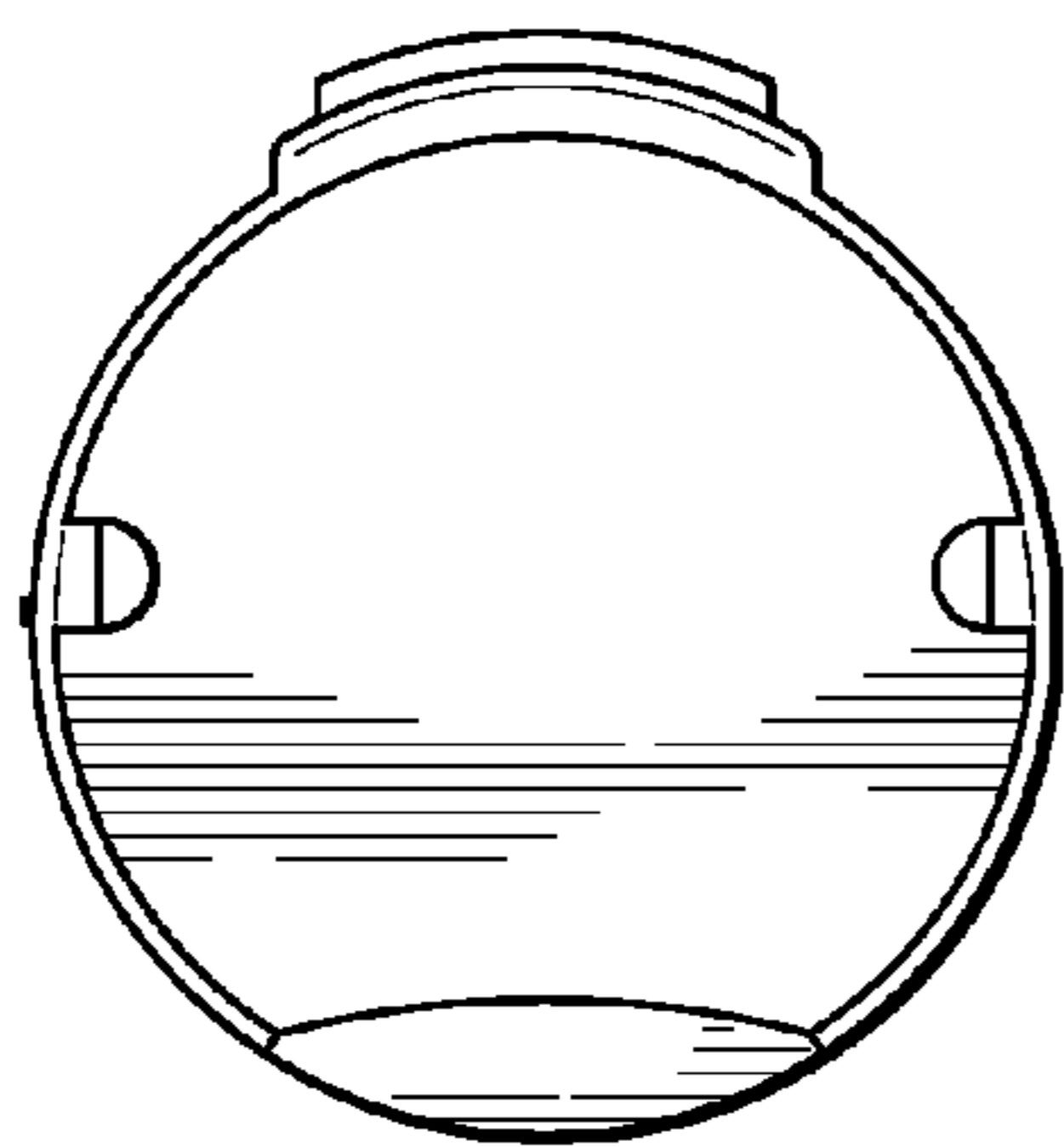
FIG. 6



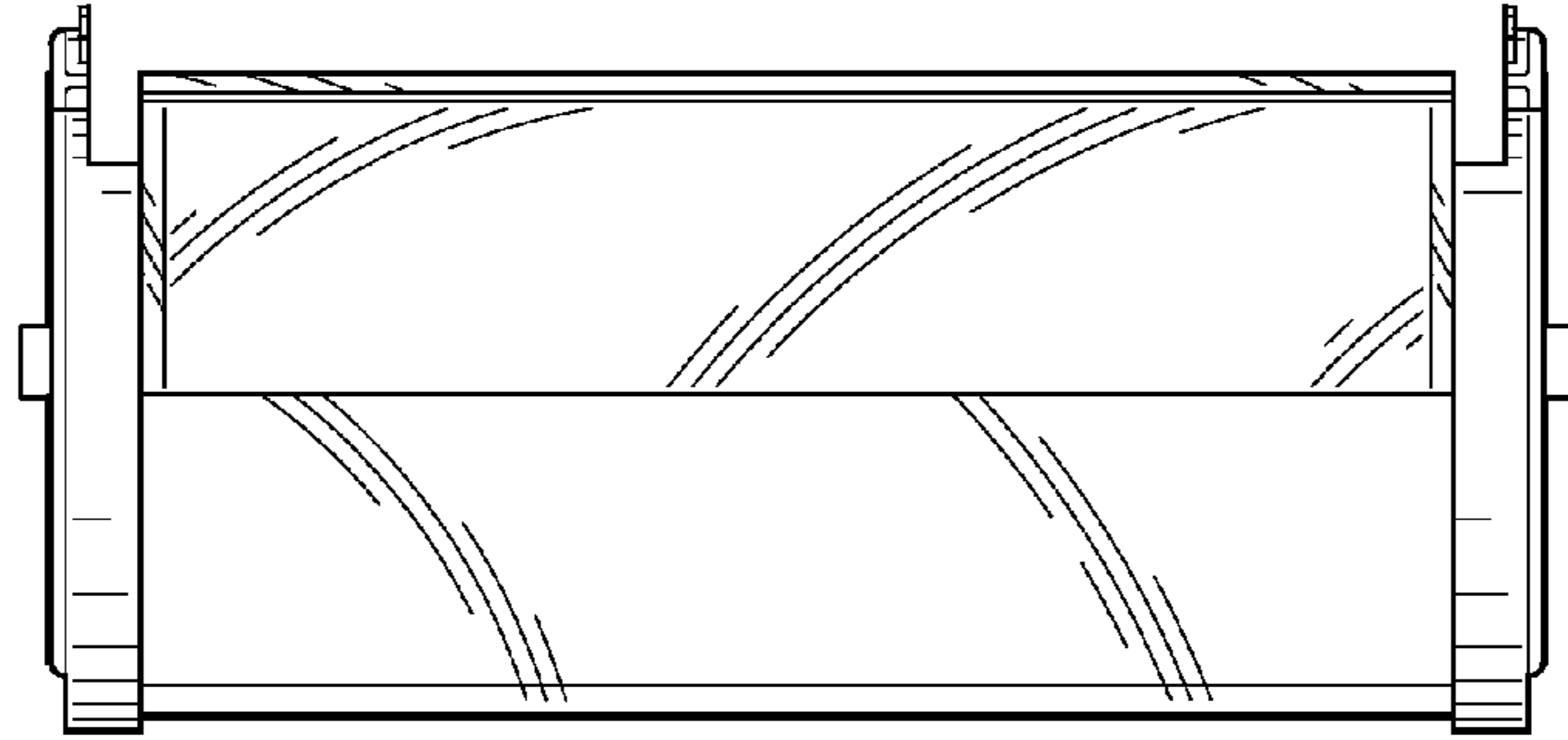
*FIG. 7*



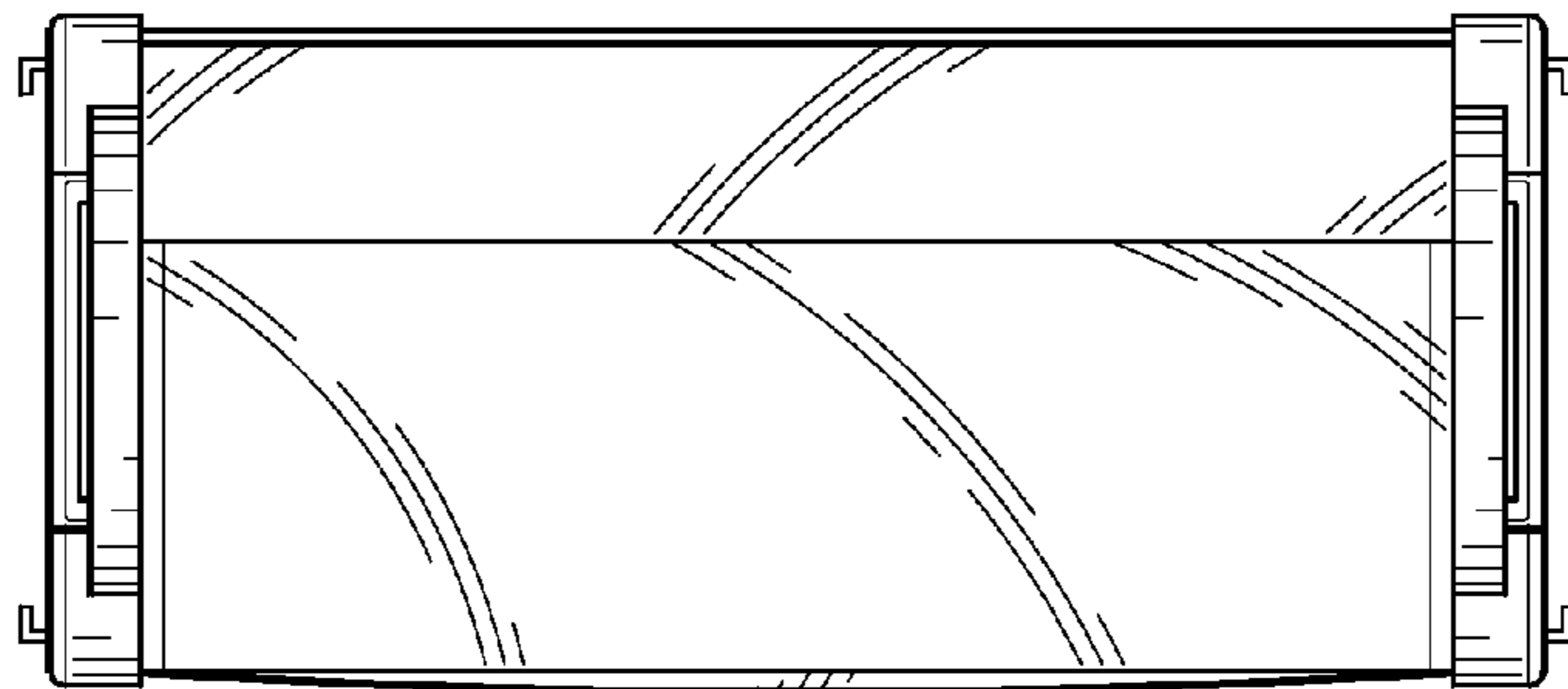
*FIG. 8*



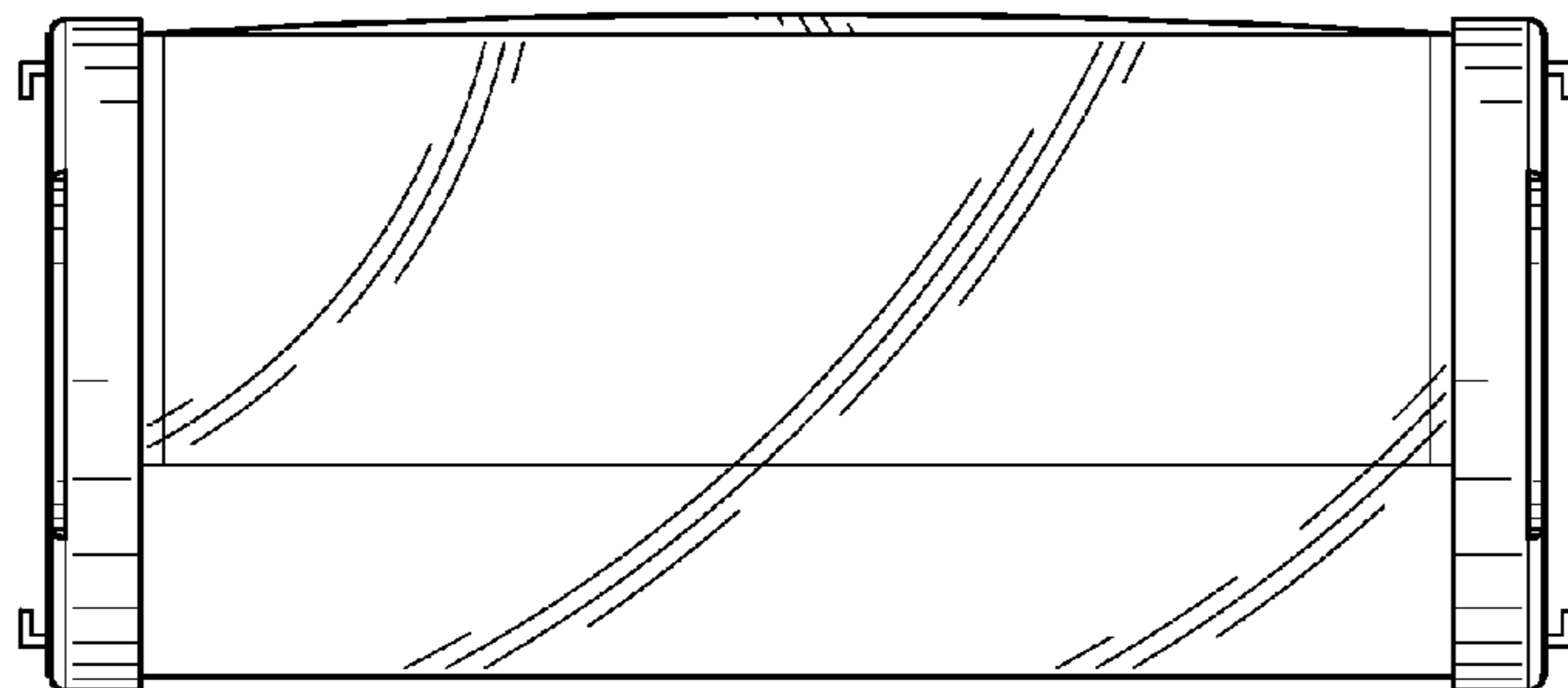
*FIG. 9*



*FIG. 10*



*FIG. 11*



*FIG. 12*