



US00D597763S

(12) **United States Design Patent**  
**Wheeler**

(10) **Patent No.:** **US D597,763 S**

(45) **Date of Patent:** **\*\* Aug. 11, 2009**

(54) **CONSOLE**

(76) **Inventor:** **Giles Christopher Wheeler**, Sefour Ltd,  
18 White House Green, Solihull (GB)  
B91 1SP

(\*\*) **Term:** **14 Years**

(21) **Appl. No.:** **29/304,919**

(22) **Filed:** **Mar. 10, 2008**

(30) **Foreign Application Priority Data**

Sep. 11, 2007 (EM) ..... 000788021-0001

(51) **LOC (9) Cl.** ..... **06-03**

(52) **U.S. Cl.** ..... **D6/422**

(58) **Field of Classification Search** ..... D6/480-489,  
D6/495-499, 429-431, 422, 425-428; 108/150,  
108/153.1, 156, 157.1, 161, 50.01, 50.02;  
312/194-196, 258

See application file for complete search history.

(56) **References Cited**

**U.S. PATENT DOCUMENTS**

D158,524 S \* 5/1950 Spence ..... D6/430

D287,319 S \* 12/1986 Ugalde ..... D6/474

D330,981 S \* 11/1992 Abraham et al. .... D6/426

D460,847 S \* 7/2002 Morrow ..... D34/17

D499,576 S \* 12/2004 Long ..... D6/425

\* cited by examiner

*Primary Examiner*—Janice E Seeger

(57) **CLAIM**

The ornamental design for a console, as shown.

**DESCRIPTION**

FIG. 1 is a left side elevational view of a console showing my new design;

FIG. 2 is a right side elevational view thereof;

FIG. 3 is a top plan view thereof;

FIG. 4 is a front elevational view thereof; and,

FIG. 5 is a perspective view thereof.

The rear and bottom of the console not shown form no part of the claimed design.

**1 Claim, 5 Drawing Sheets**

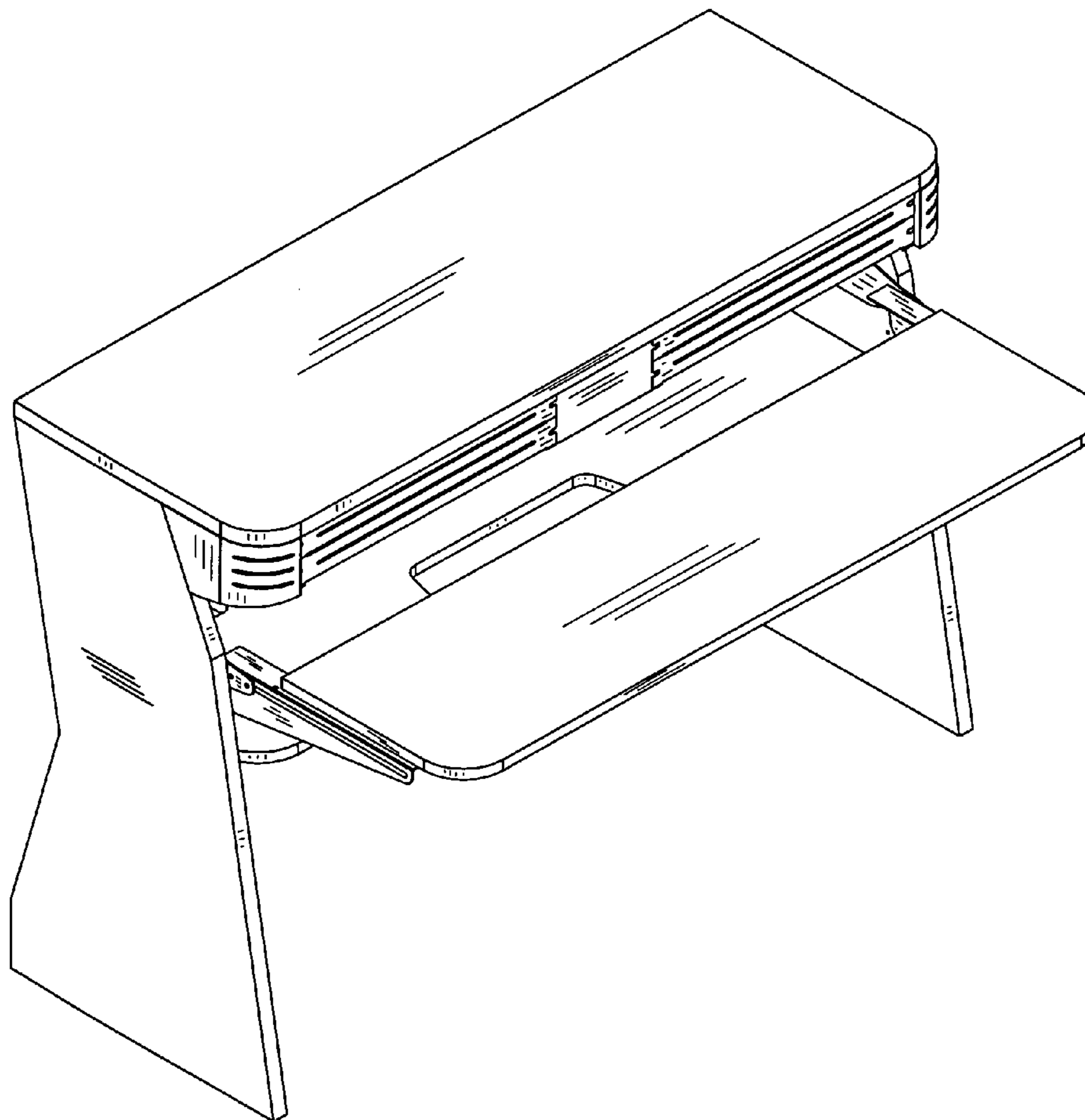


Fig. 1

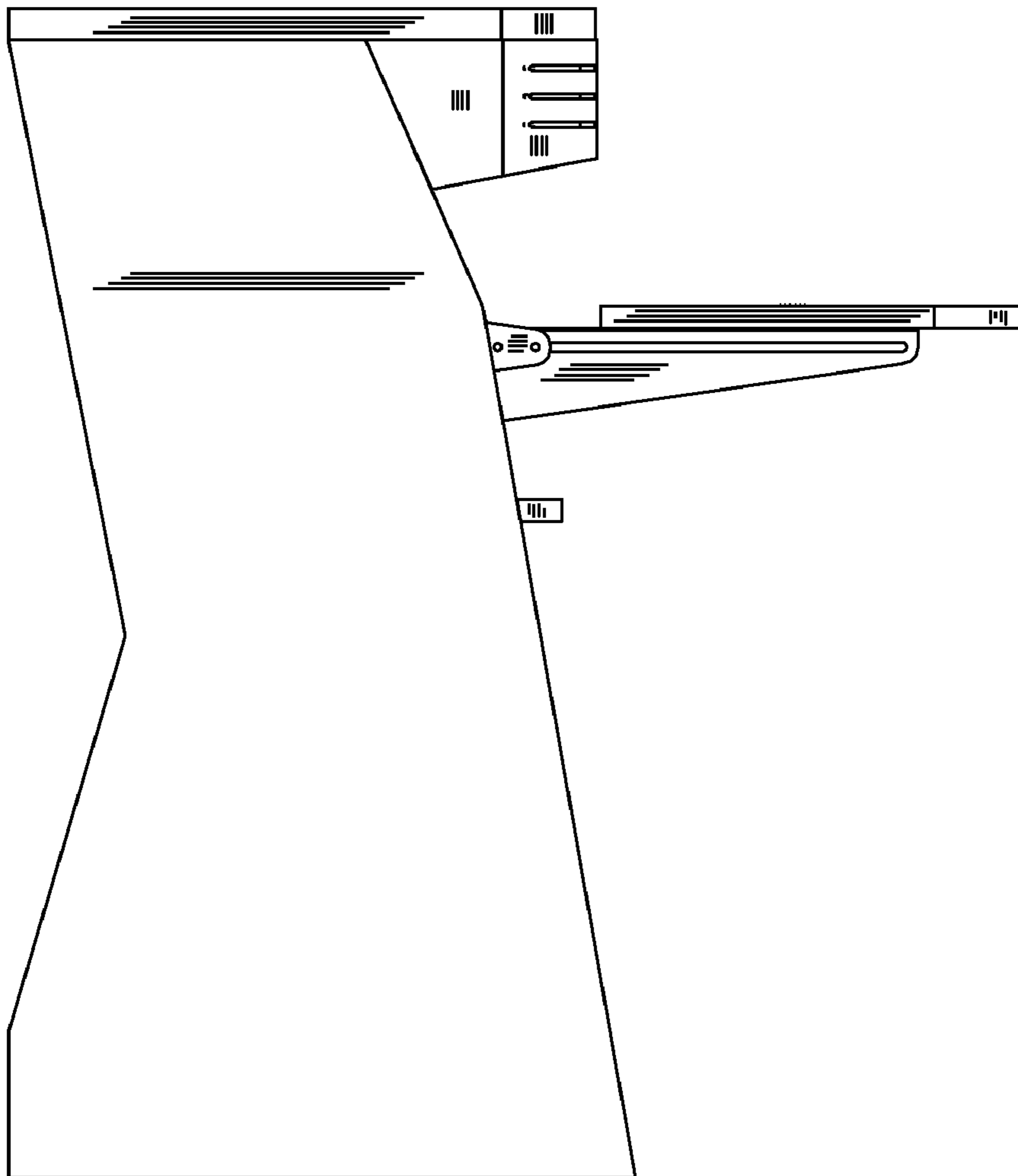


Fig. 2

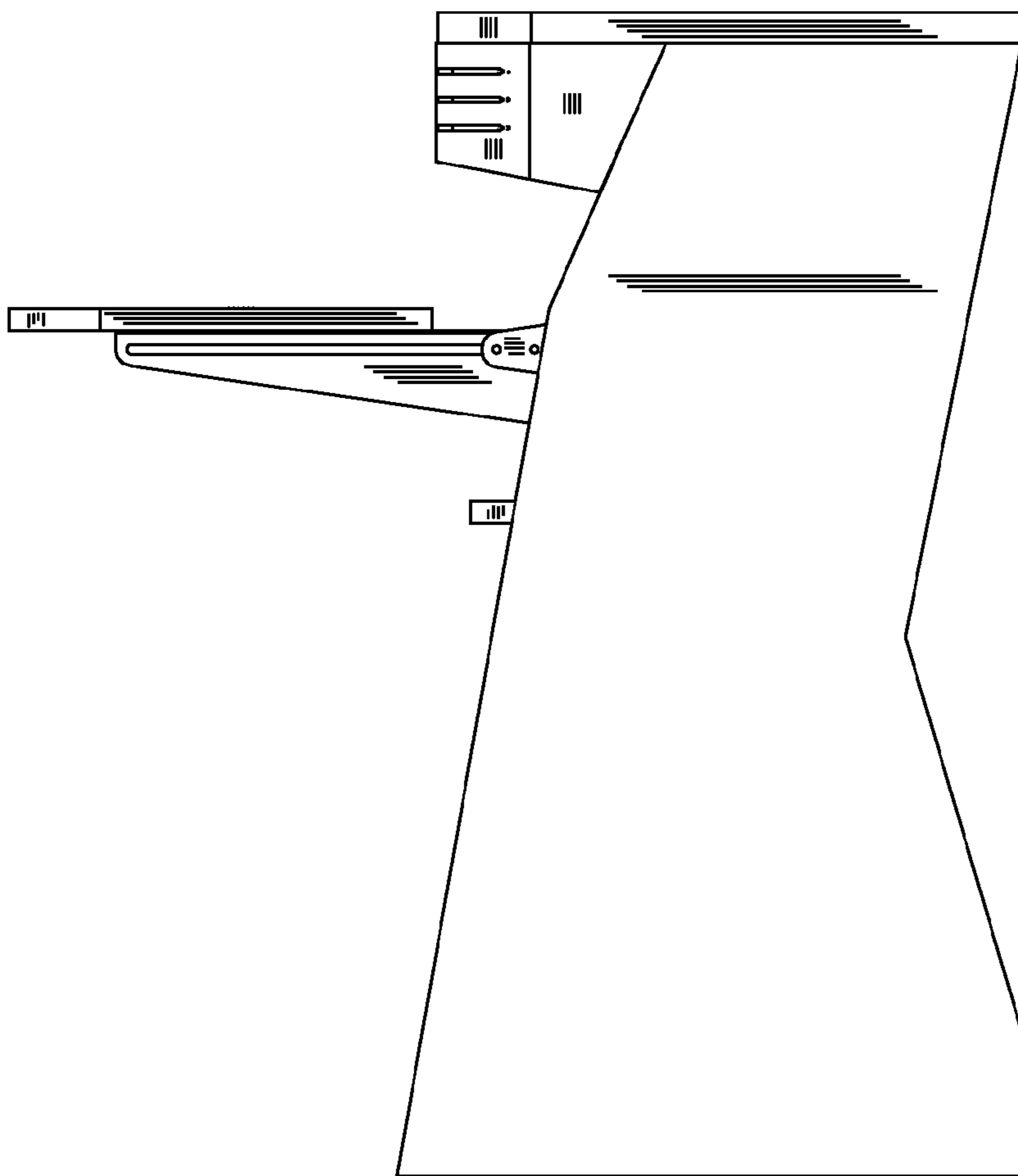


Fig. 3

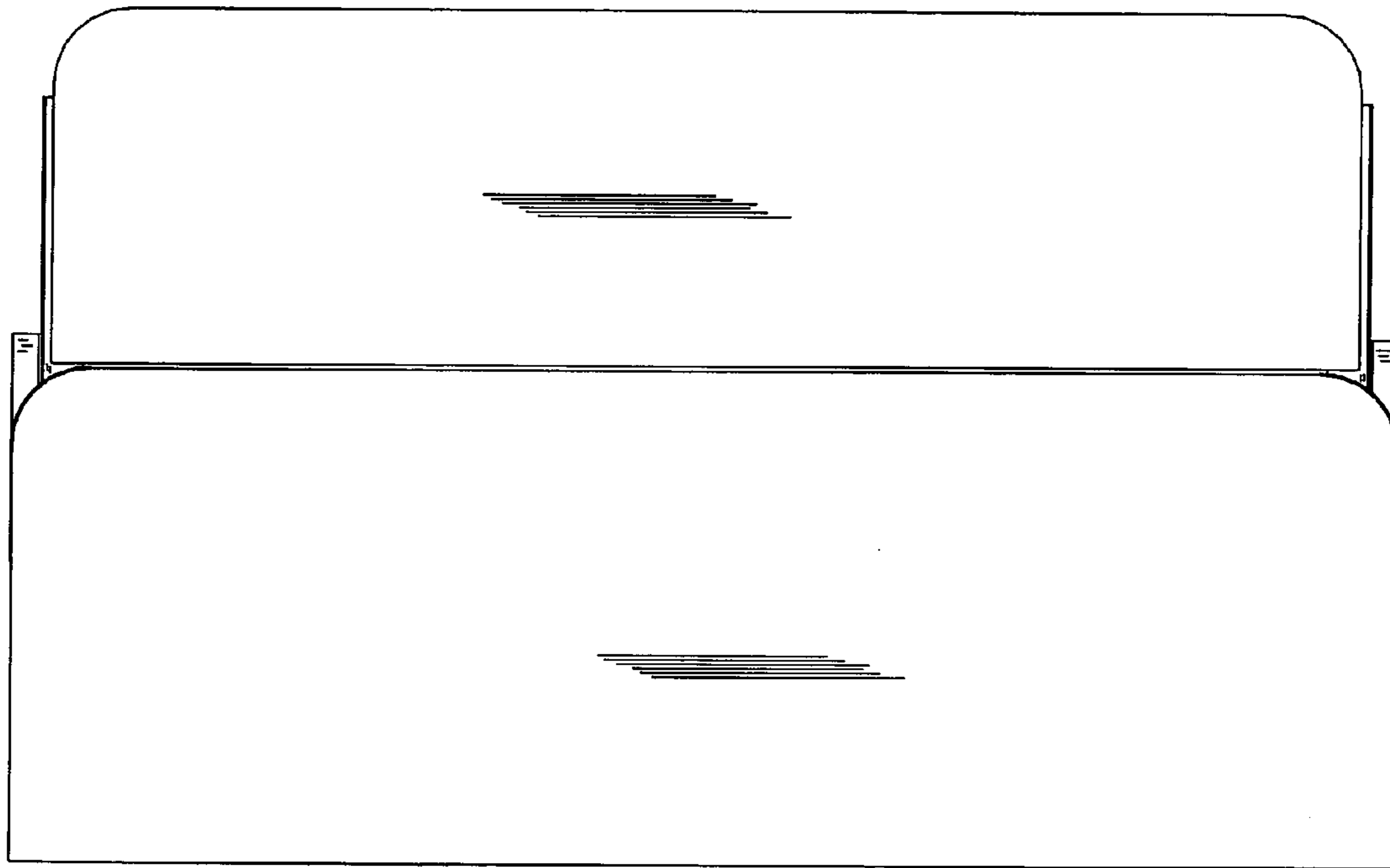


Fig. 4

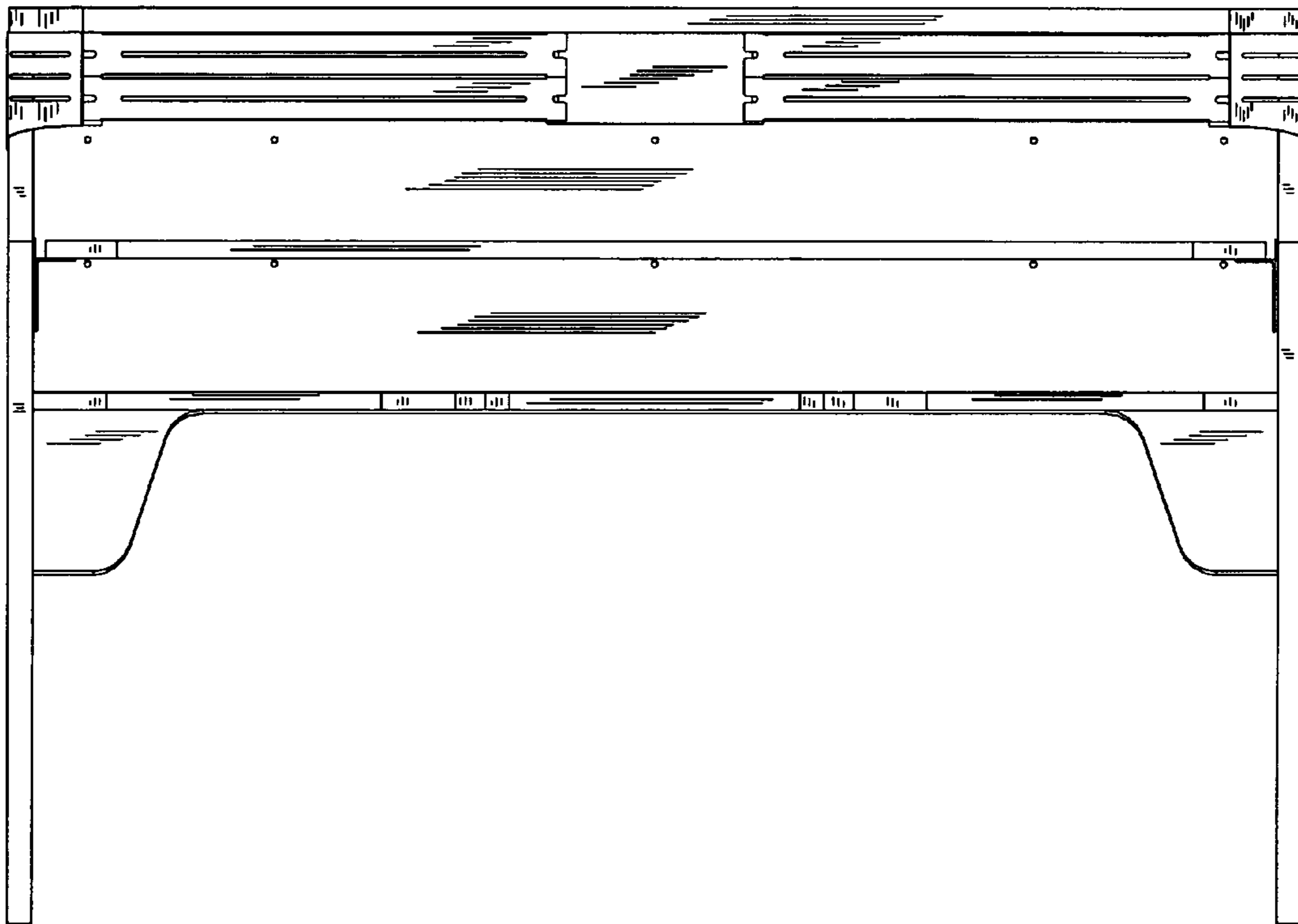


Fig. 5

