



US00D597757S

(12) **United States Design Patent**
Barbieri

(10) **Patent No.:** **US D597,757 S**

(45) **Date of Patent:** **** Aug. 11, 2009**

(54) **SEATS**

D563,111 S * 3/2008 Lievore D6/375

(76) Inventor: **Raul Barbieri**, Via Pietro Custodi, 14,
20136 Milano (IT)

* cited by examiner

Primary Examiner—Mimosa De
(74) *Attorney, Agent, or Firm*—WolfBlock LLP

(**) Term: **14 Years**

(21) Appl. No.: **29/283,670**

(57) **CLAIM**

(22) Filed: **Aug. 21, 2007**

I claim the ornamental design for seats, as shown and described.

(30) **Foreign Application Priority Data**

DESCRIPTION

Feb. 21, 2007 (EM) 000674049

(51) **LOC (9) Cl.** **06-01**

FIG. 1 is a perspective view of the seat showing a first embodiment of my new design;

(52) **U.S. Cl.** **D6/374; D6/379; D6/380**

FIG. 2 is a right side view thereof;

(58) **Field of Classification Search** D6/334–336,
D6/369, 370, 371–373, 374, 375, 376, 379,
D6/380, 500–502; 297/239, 411.2, 411.27,
297/445.1, 452.29

FIG. 3 is a left side view thereof;

FIG. 4 is a front view thereof;

FIG. 5 is a rear view thereof;

FIG. 6 is a top view thereof;

FIG. 7 is a bottom view thereof;

FIG. 8 is a perspective view of the seat showing a second embodiment of my new design;

FIG. 9 is a right side view thereof;

FIG. 10 is a left side view thereof;

FIG. 11 is a rear view thereof;

FIG. 12 is a front view thereof;

FIG. 13 is a top view thereof; and,

FIG. 14 is a bottom view thereof.

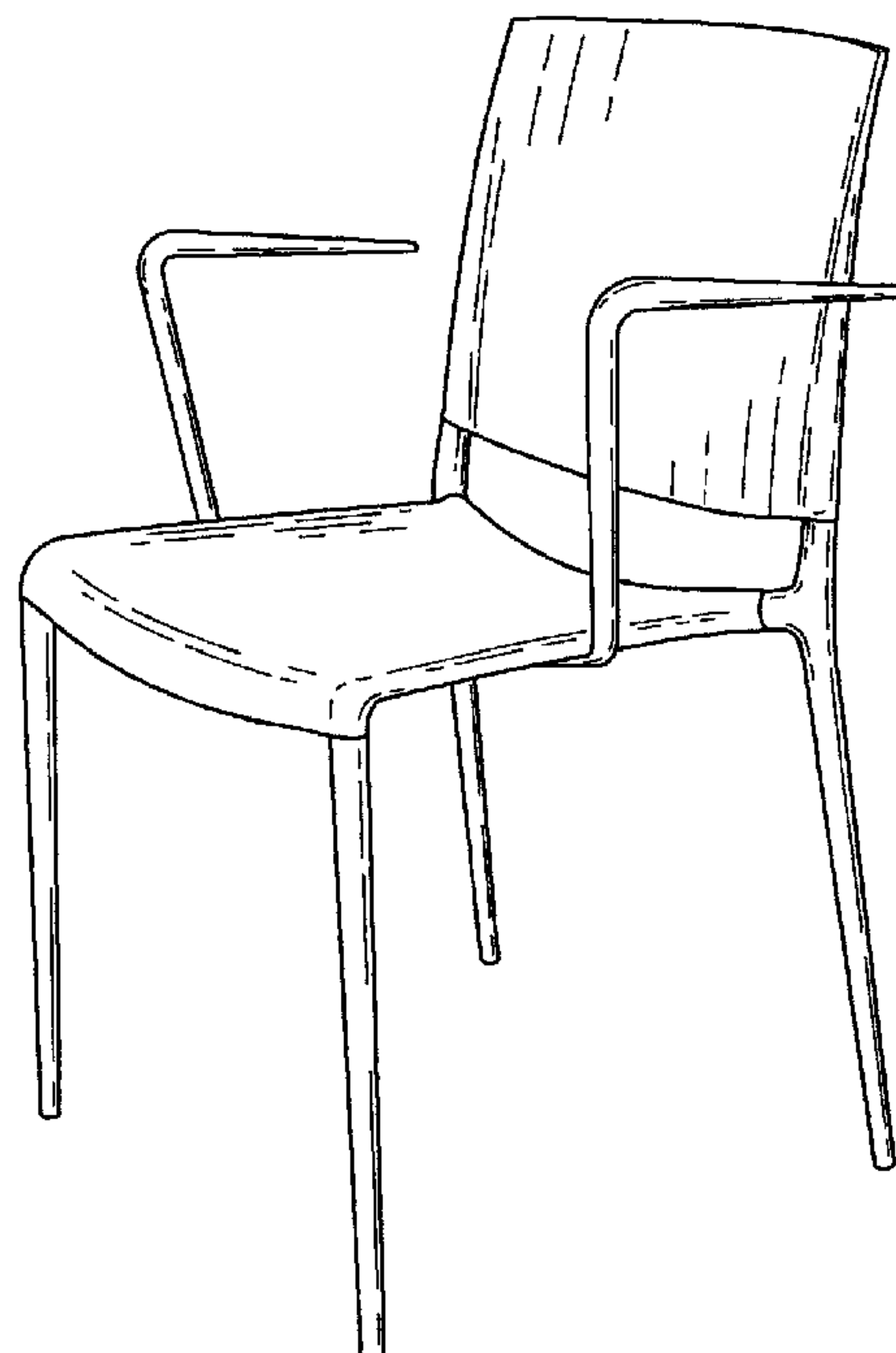
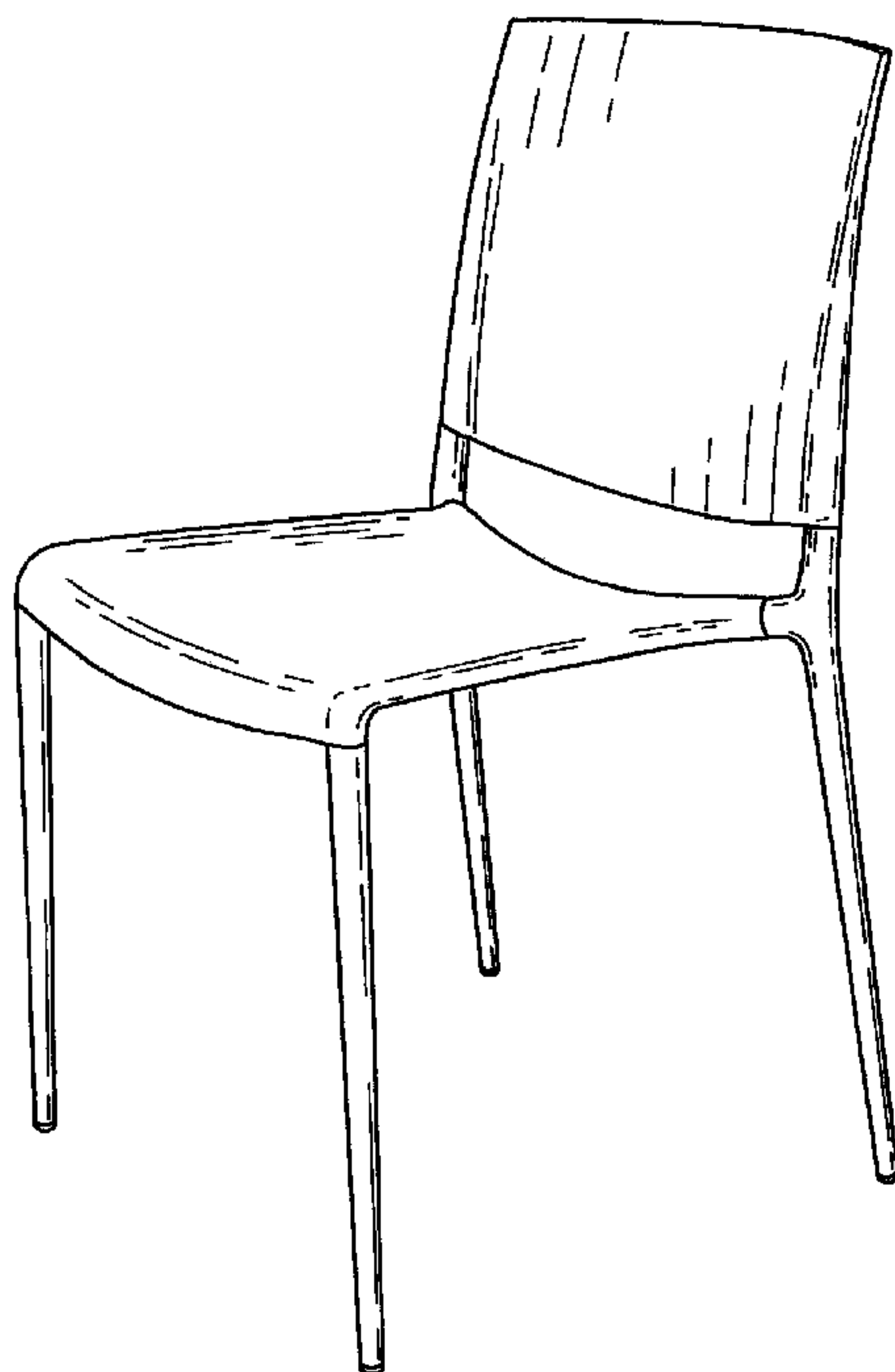
See application file for complete search history.

(56) **References Cited**

U.S. PATENT DOCUMENTS

D219,032 S * 10/1970 Christenson, Jr. D6/374
D336,795 S * 6/1993 Rowe et al. D6/380
D381,828 S * 8/1997 Kemnitzer D6/379
D449,459 S * 10/2001 Diez Mintegi D6/374
D465,100 S * 11/2002 Savini D6/375
D469,970 S * 2/2003 Molteni D6/374
D475,543 S * 6/2003 Savini D6/374
D492,131 S * 6/2004 Starck D6/375
D513,134 S * 12/2005 Asano et al. D6/380
D524,071 S * 7/2006 Brooks D6/379
D541,068 S * 4/2007 Foster D6/374

1 Claim, 14 Drawing Sheets



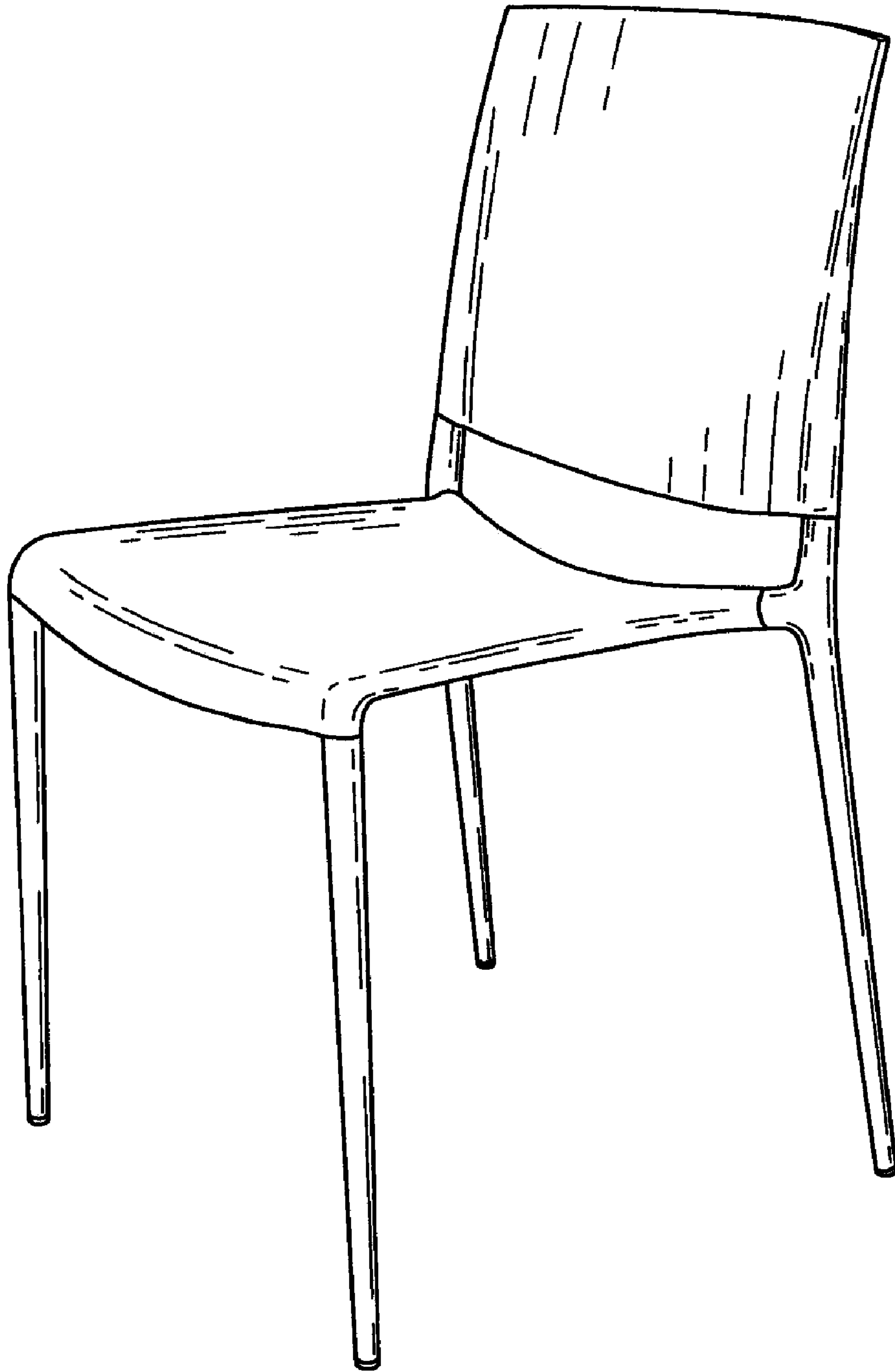


Fig. 1

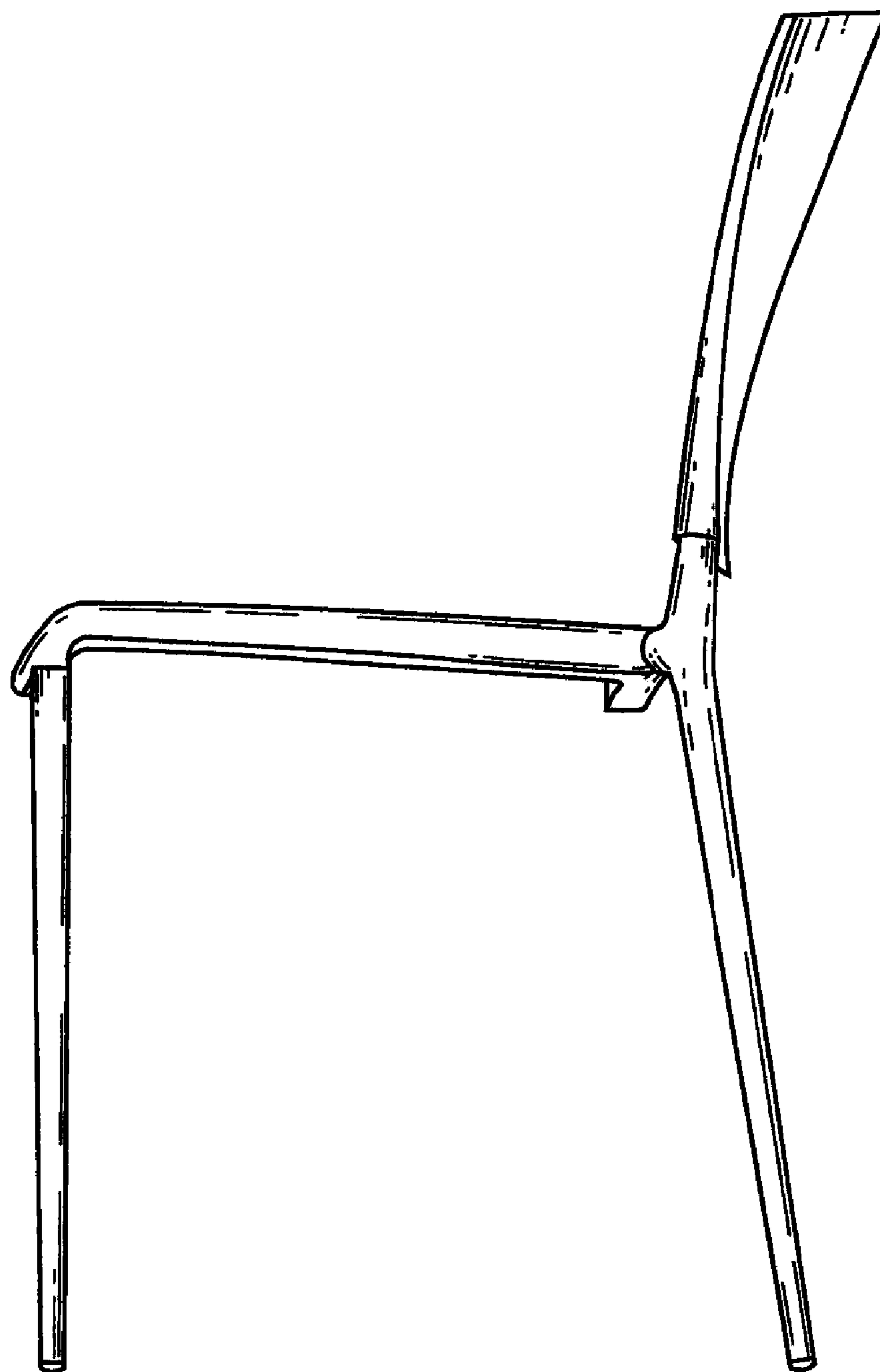


Fig. 2

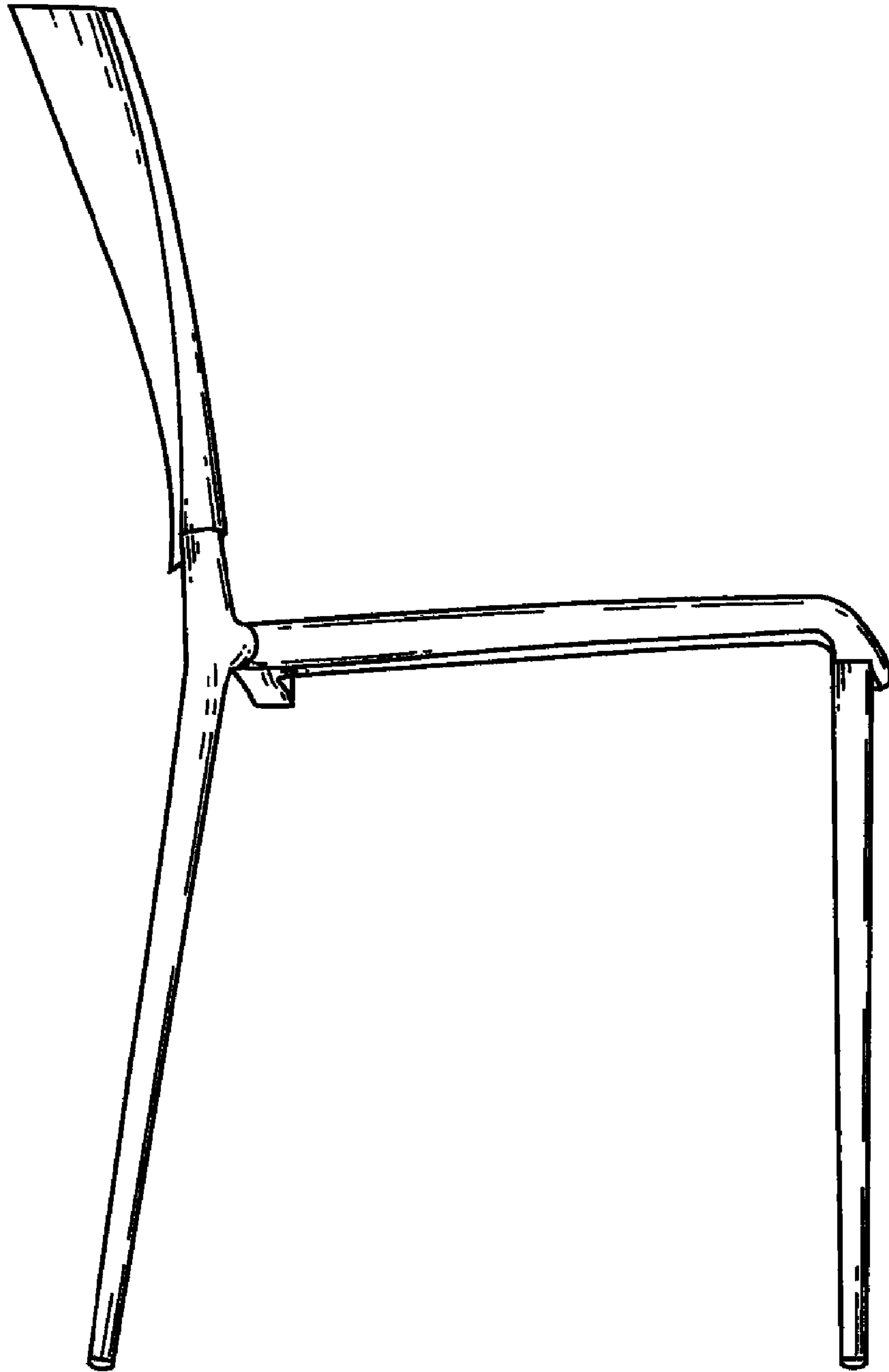


Fig. 3

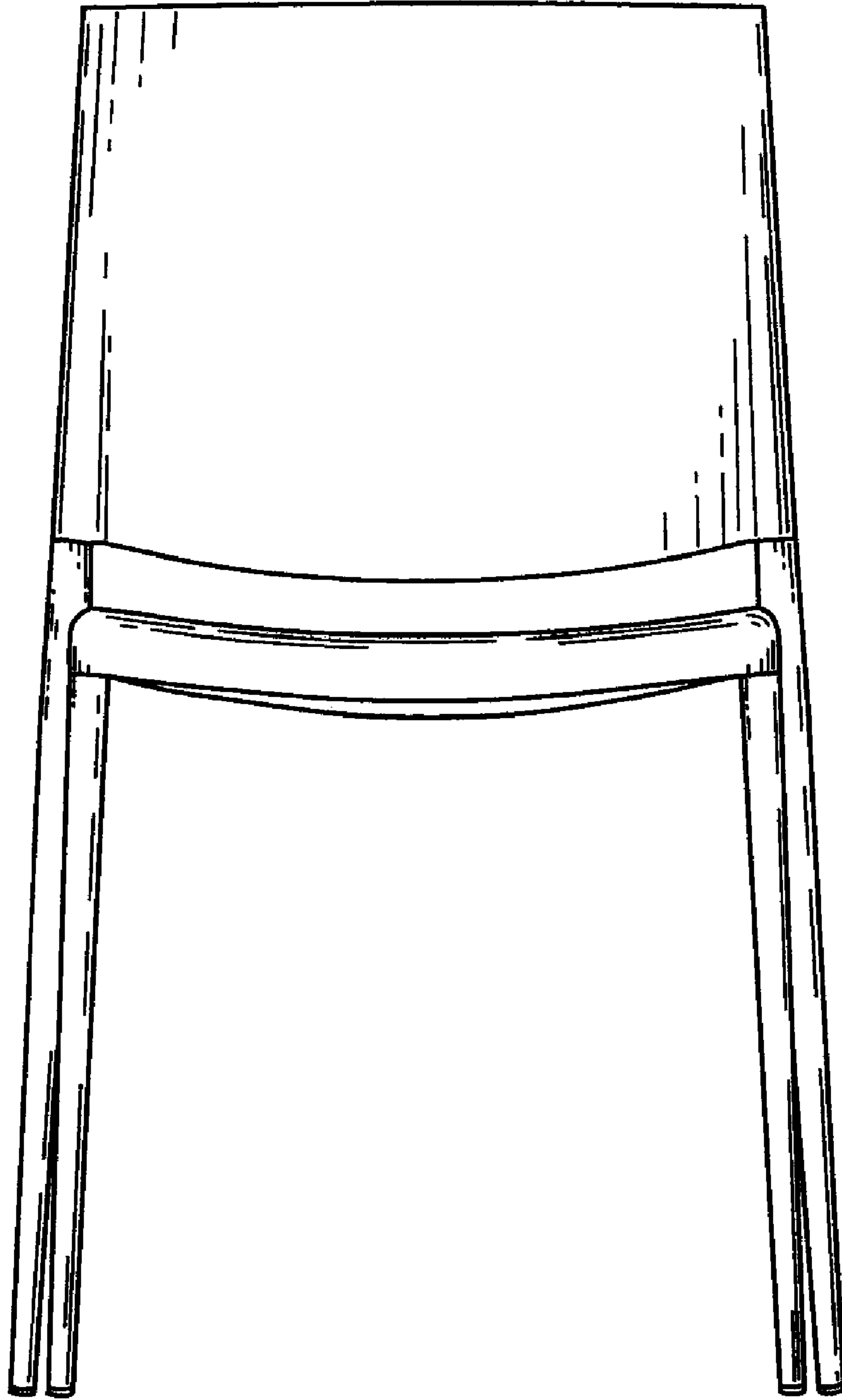


Fig. 4

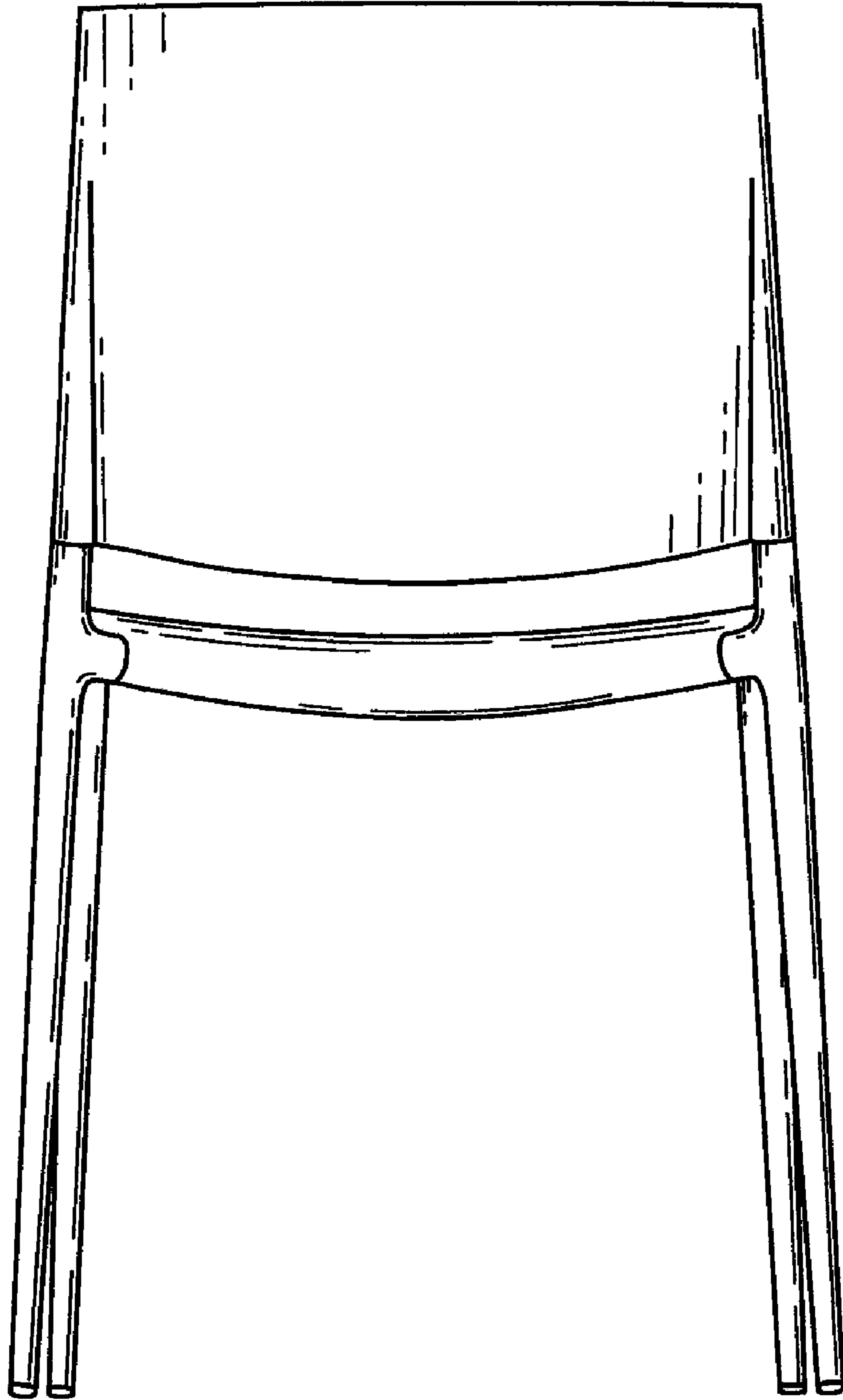


Fig. 5

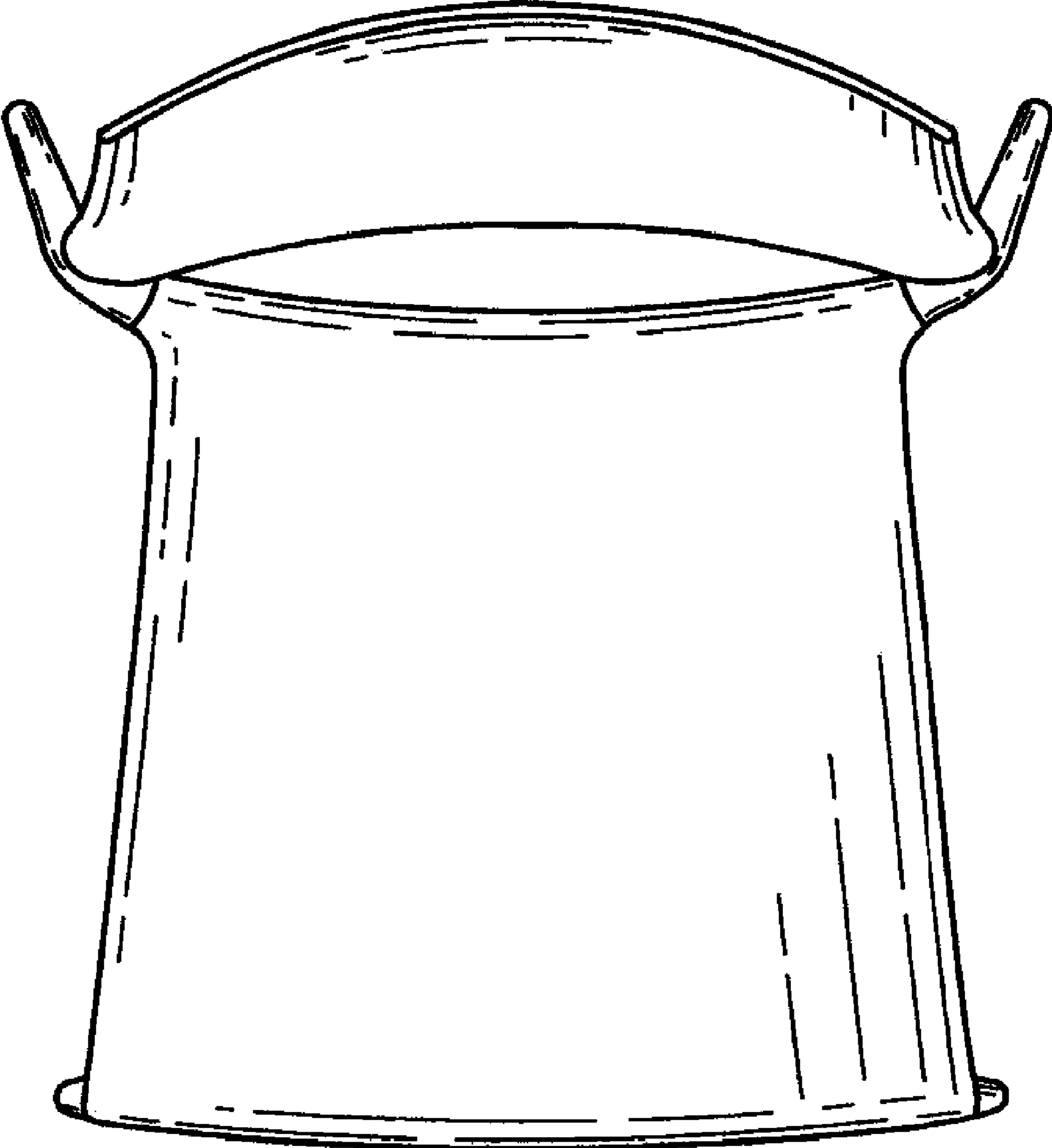


Fig. 6

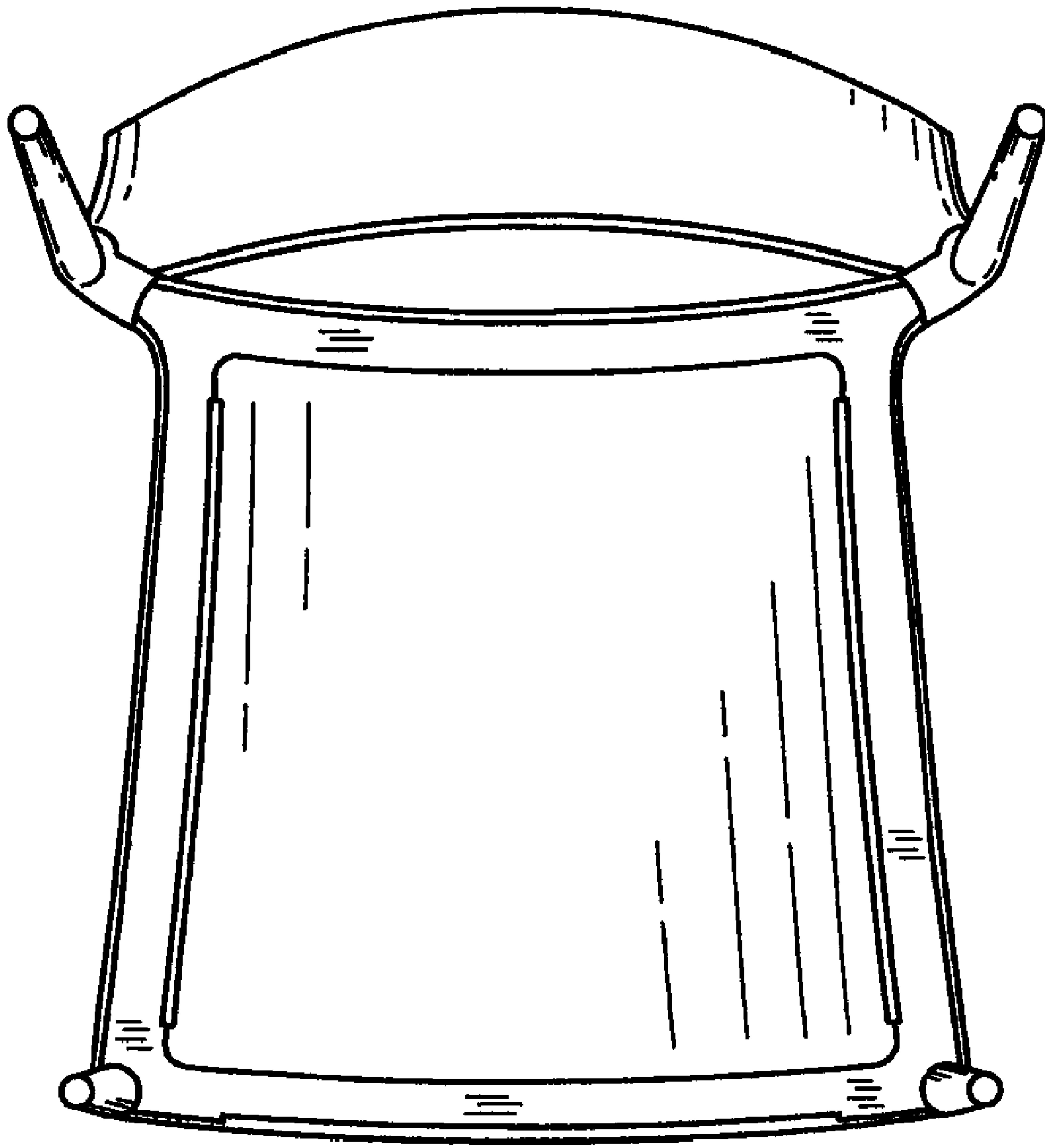


Fig. 7

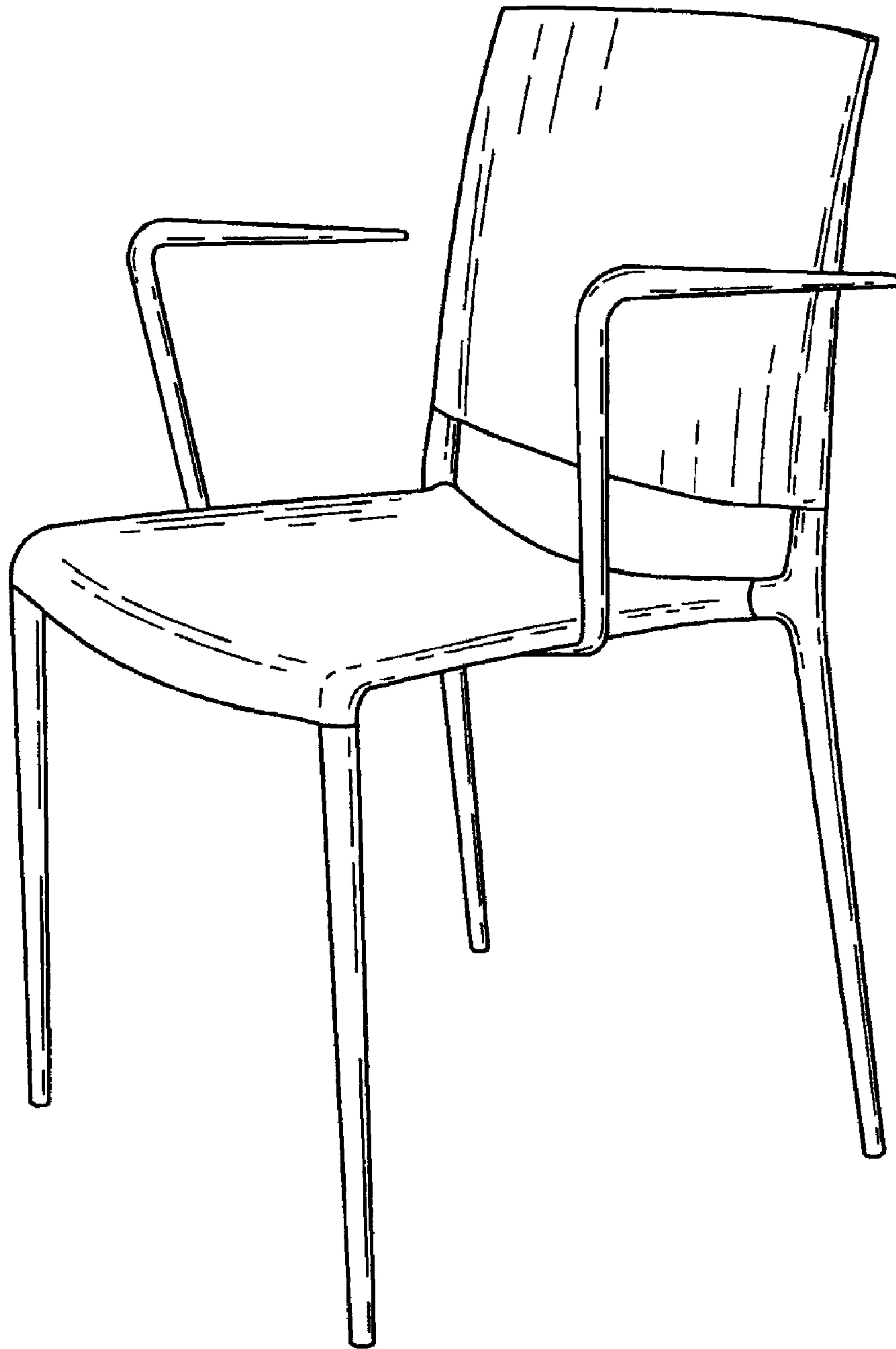


Fig. 8

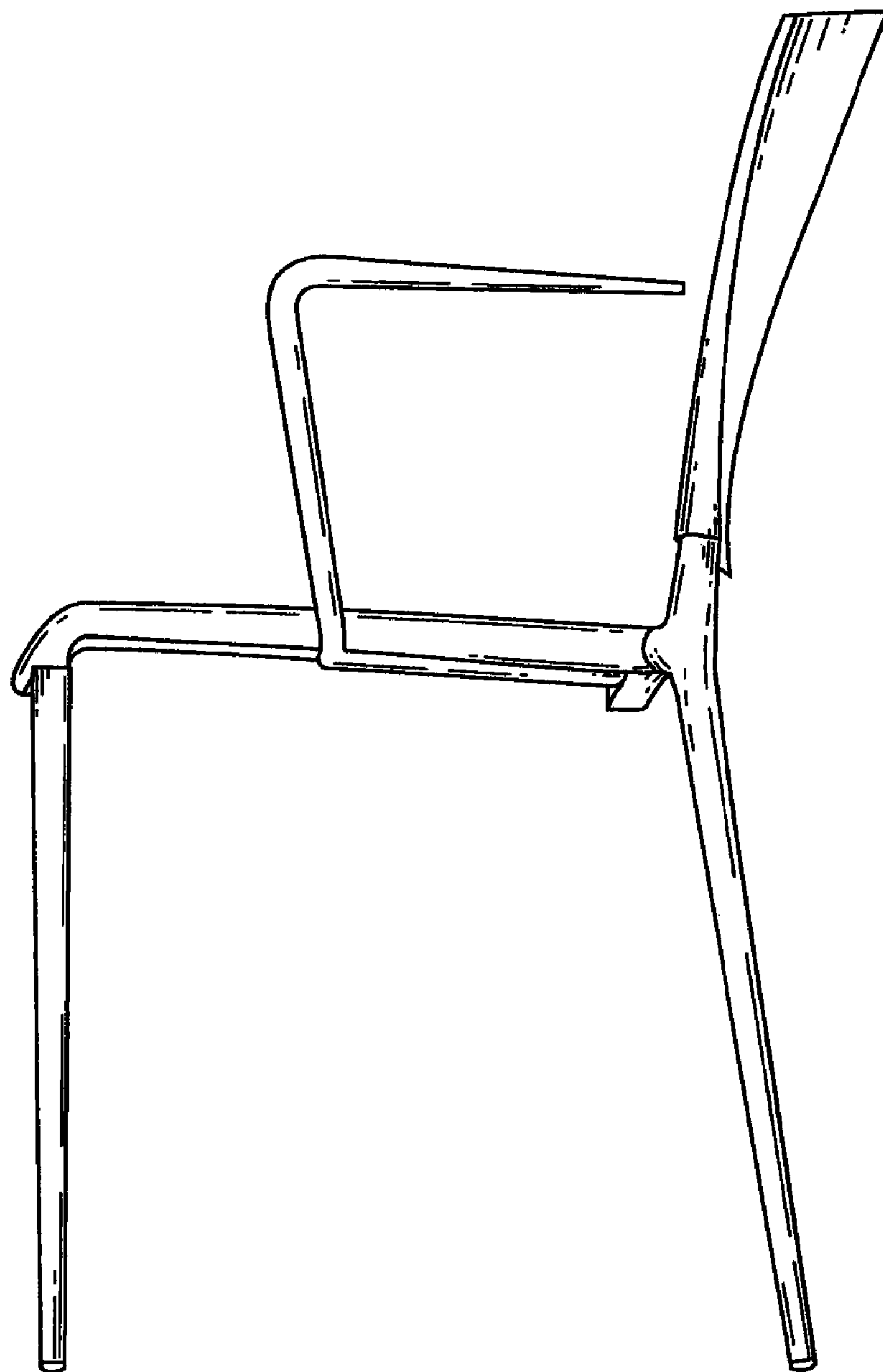


Fig. 9

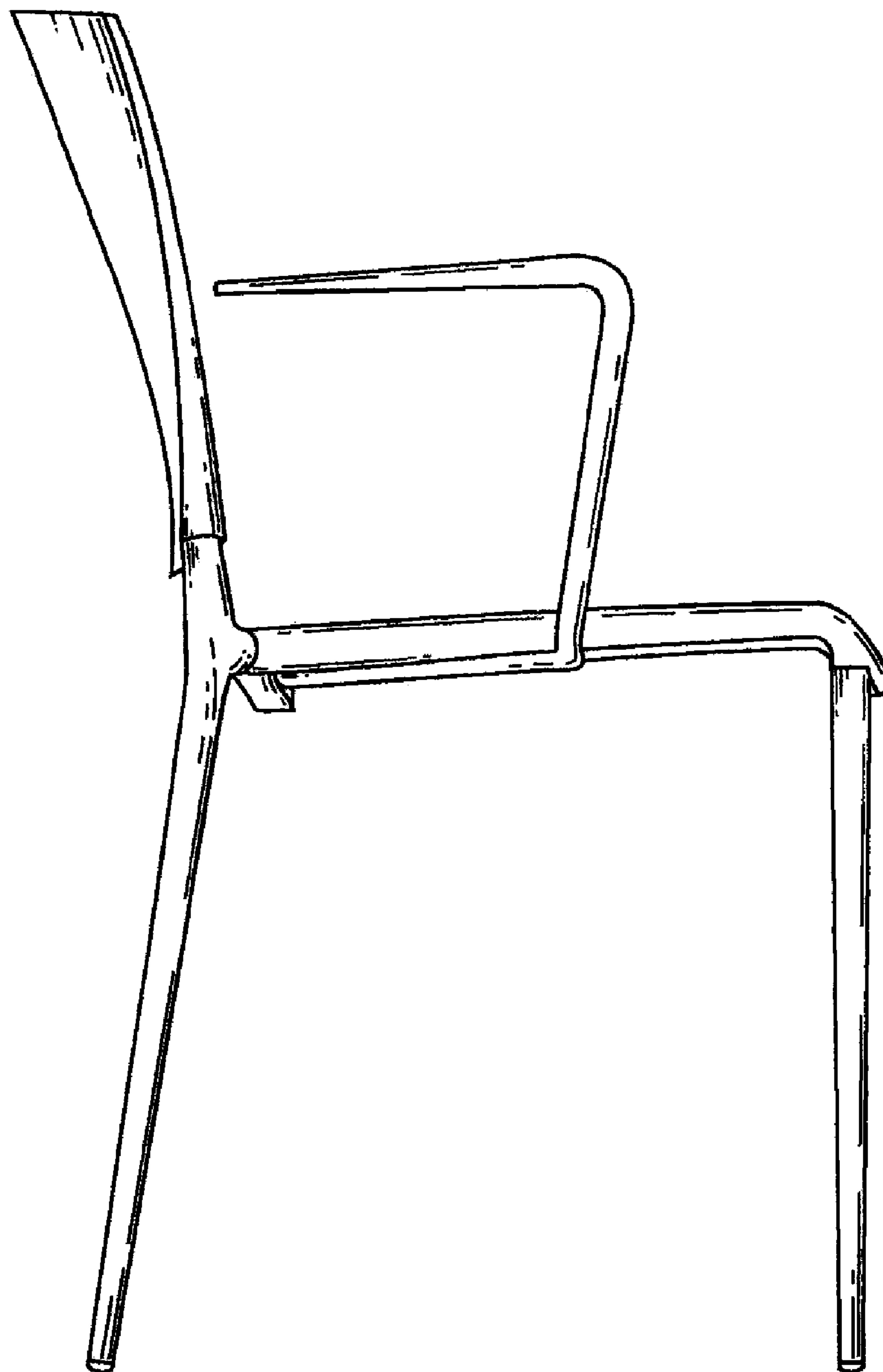


Fig. 10

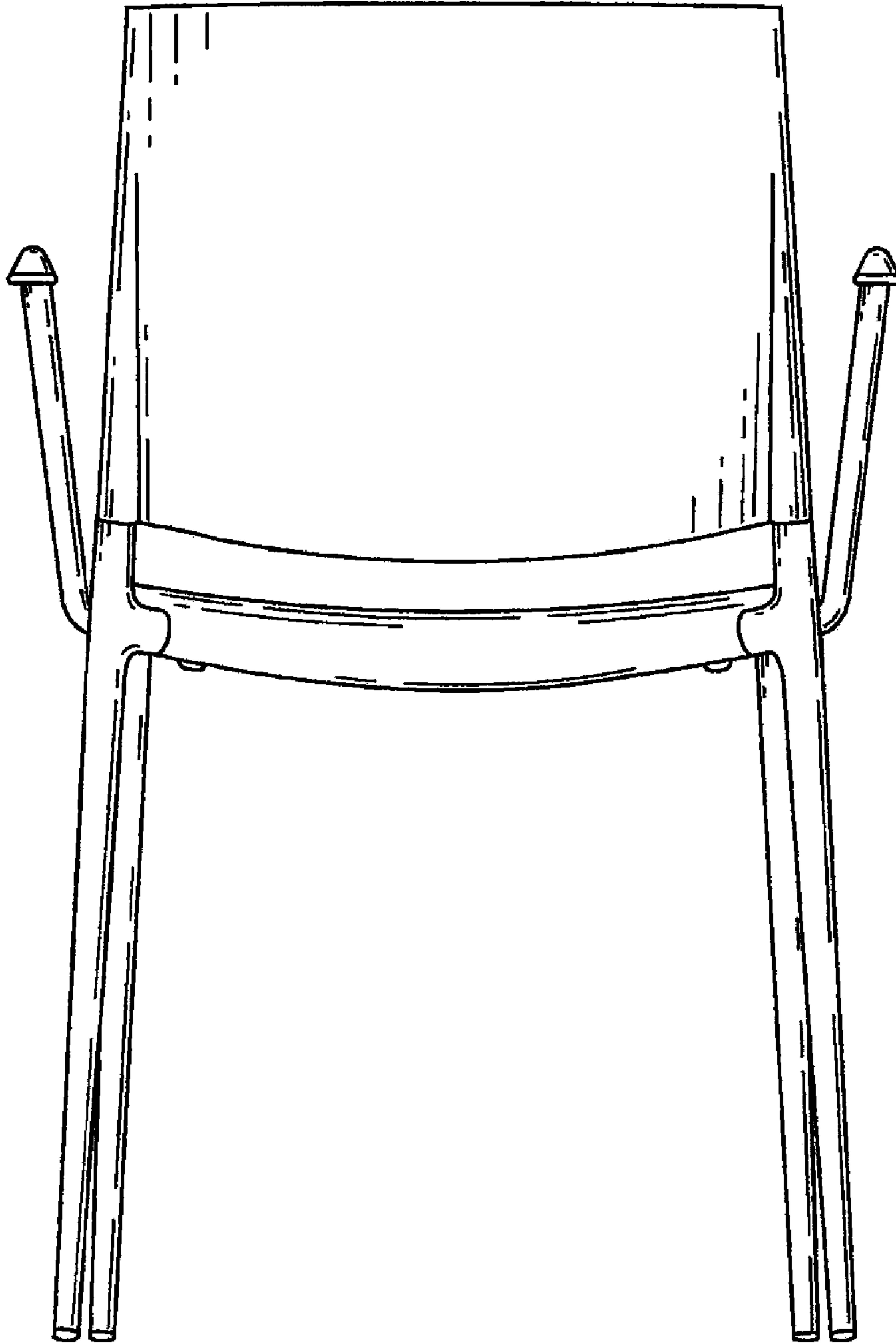


Fig. 11

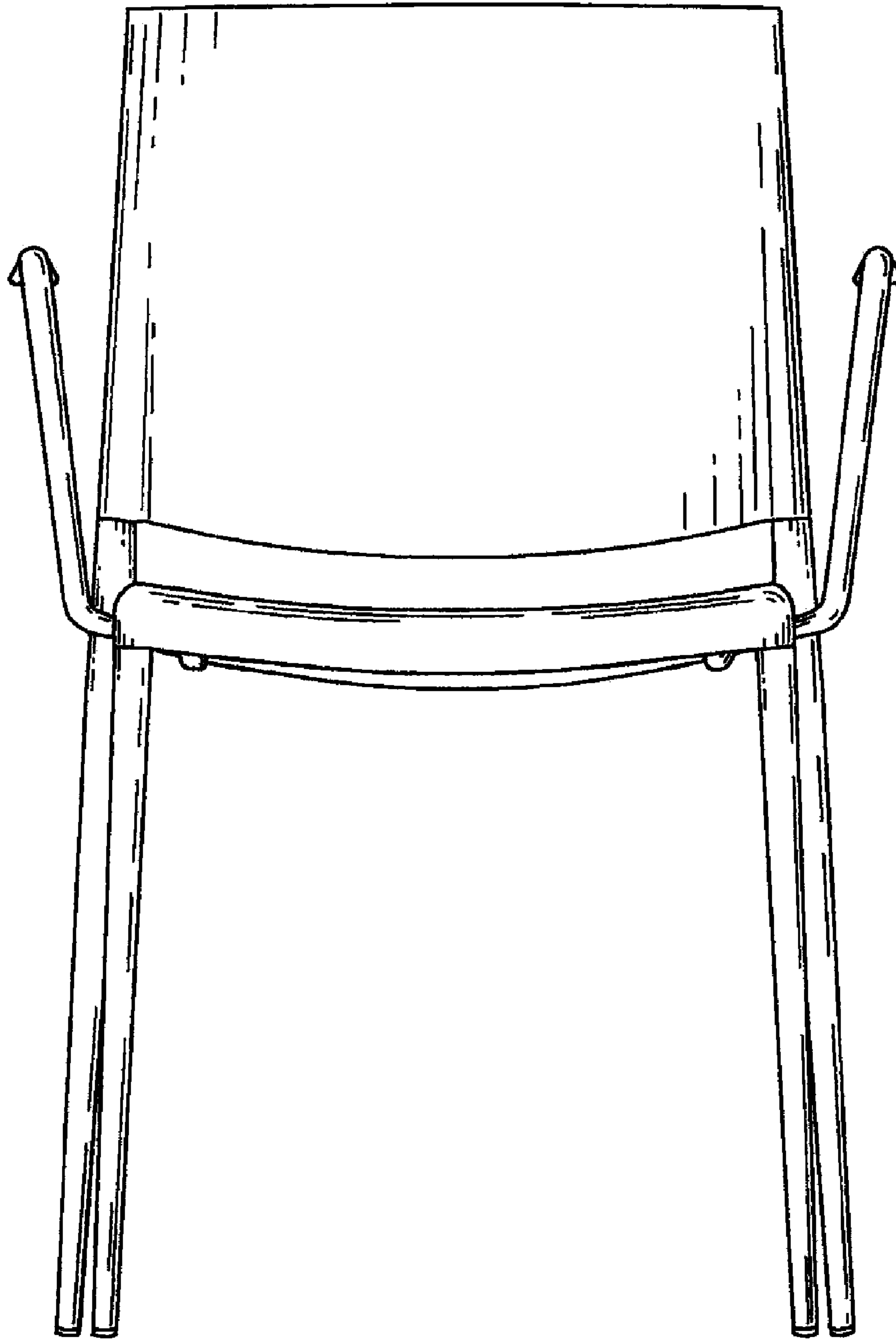


Fig. 12

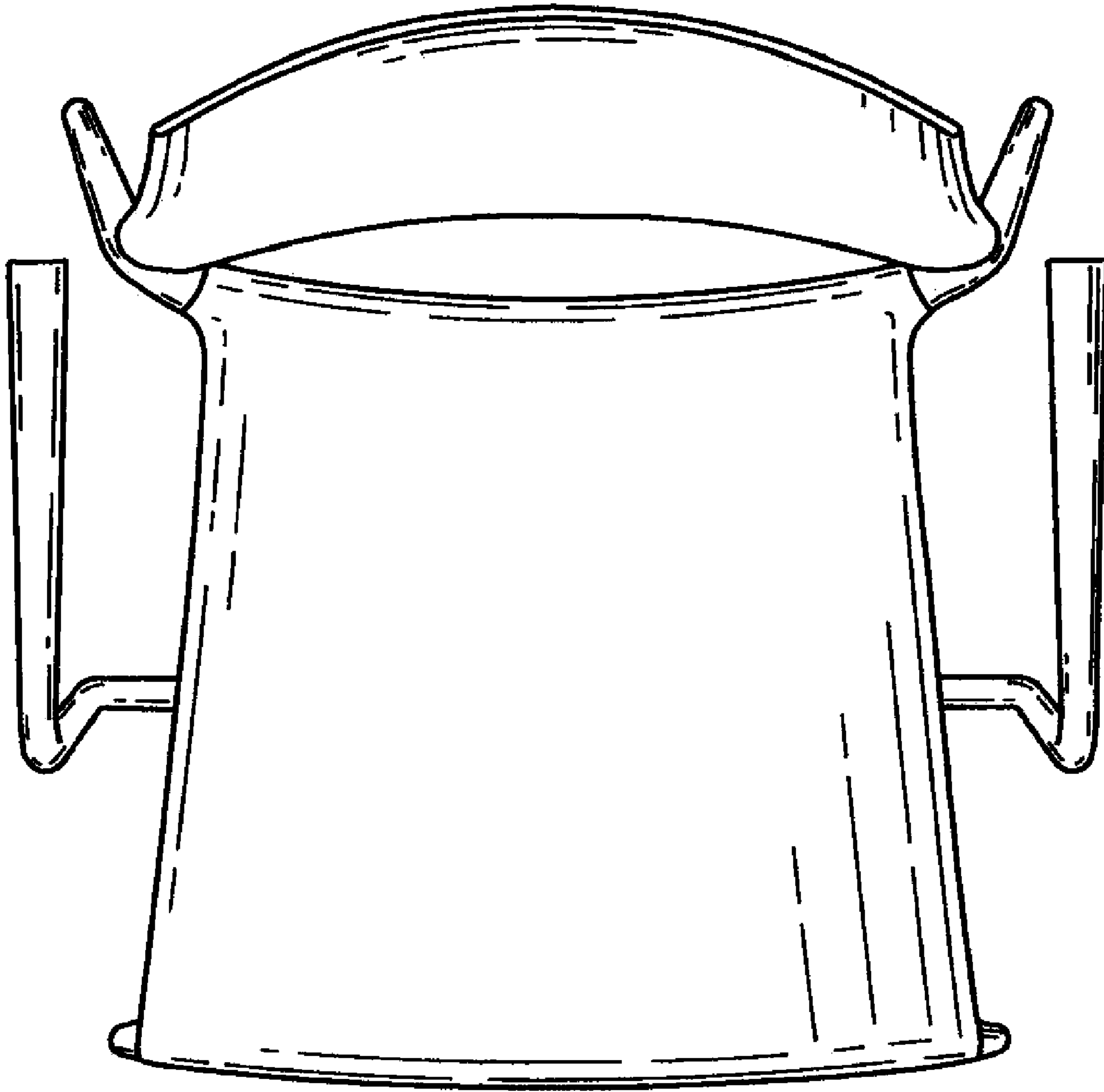


Fig. 13

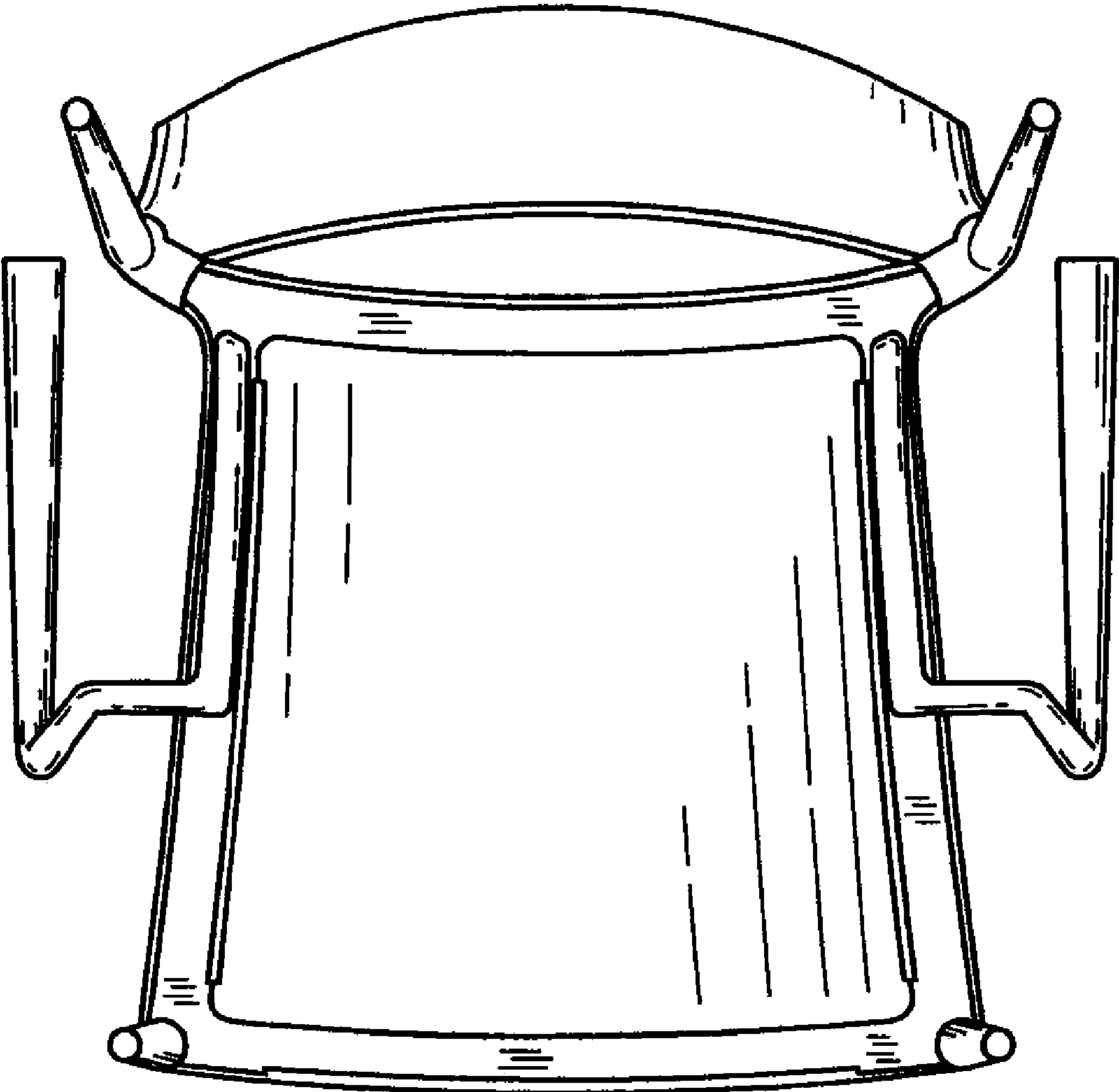


Fig. 14