

US00D597756S

(12) **United States Design Patent**
French et al.

(10) **Patent No.:** **US D597,756 S**

(45) **Date of Patent:** **** Aug. 11, 2009**

(54) **FIGHTING CHAIR**

(76) Inventors: **Stephen M. French**, 5448 SE. Reef Way, Stuart, FL (US) 34997; **Nathan Morgan**, 11252 SW. Northland Dr., Port St. Lucie, FL (US) 34987

(**) Term: **14 Years**

(21) Appl. No.: **29/297,764**

(22) Filed: **Nov. 16, 2007**

(51) **LOC (9) Cl.** **06-01**

(52) **U.S. Cl.** **D6/364**

(58) **Field of Classification Search** D6/334-336, D6/345, 358-369, 374, 379-380, 498, 500-502; D24/178, 183; 4/578.1; 128/845; 297/316, 297/330, 391, 344.15, 344.17; 403/373; 601/15

See application file for complete search history.

(56) **References Cited**

U.S. PATENT DOCUMENTS

2,341,465 A * 2/1944 Monnot 403/373

5,538,011 A * 7/1996 Craft et al. 128/845
6,094,756 A * 8/2000 Carter 4/578.1
6,698,431 B1 * 3/2004 Harris et al. 128/845
2003/0139693 A1 * 7/2003 Swift 601/15

* cited by examiner

Primary Examiner—Caron Veynar

Assistant Examiner—Ricky Pham

(74) *Attorney, Agent, or Firm*—McHale & Slavin, P.A.

(57) **CLAIM**

The ornamental design for a fighting chair, as shown.

DESCRIPTION

FIG. 1 is a front perspective view of the fighting chair of the instant invention;

FIG. 2 is a front view thereof;

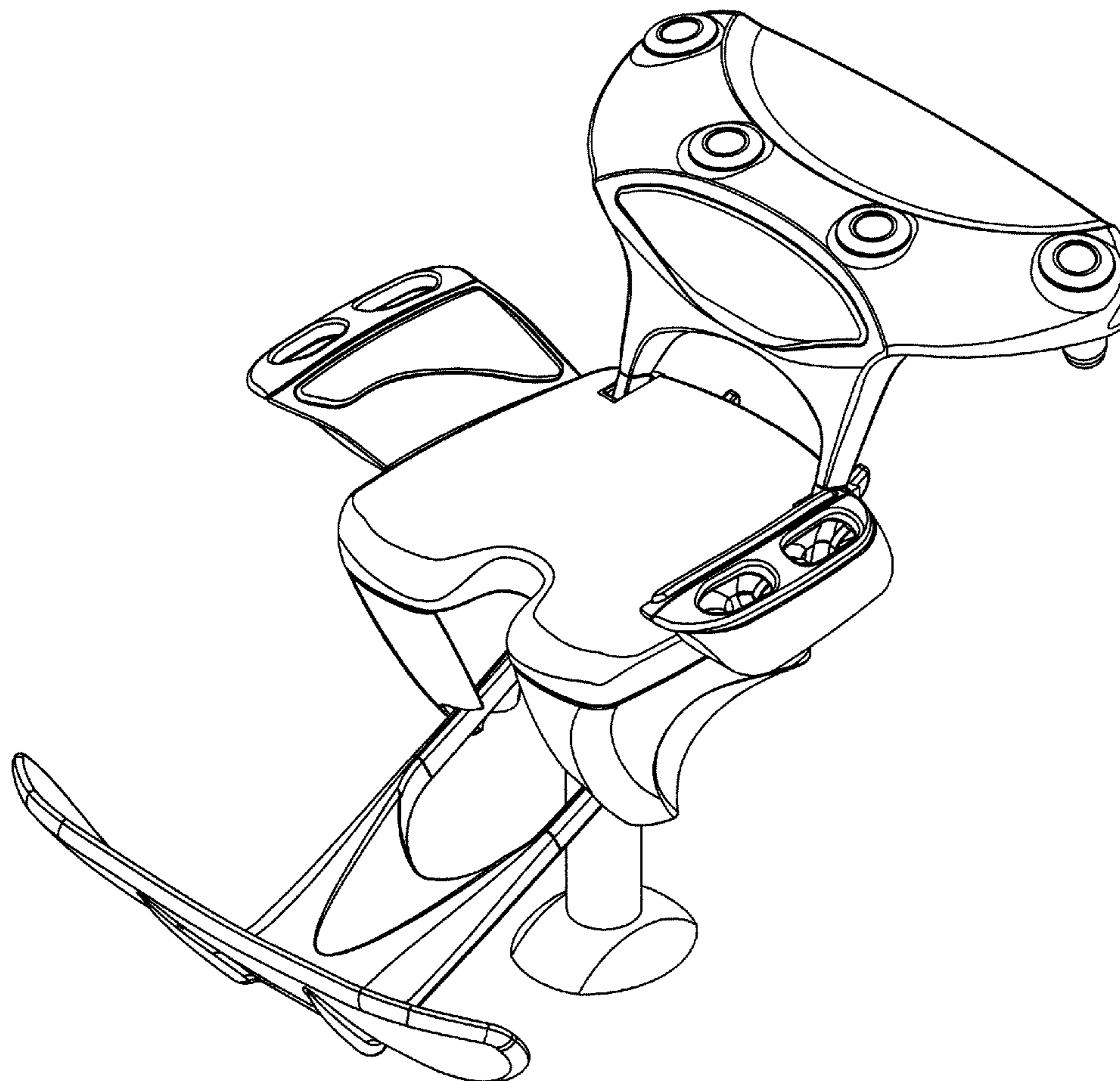
FIG. 3 is a rear view thereof;

FIG. 4 is a left side view thereof;

FIG. 5 is a right side view thereof; and,

FIG. 6 is a top view thereof.

1 Claim, 6 Drawing Sheets



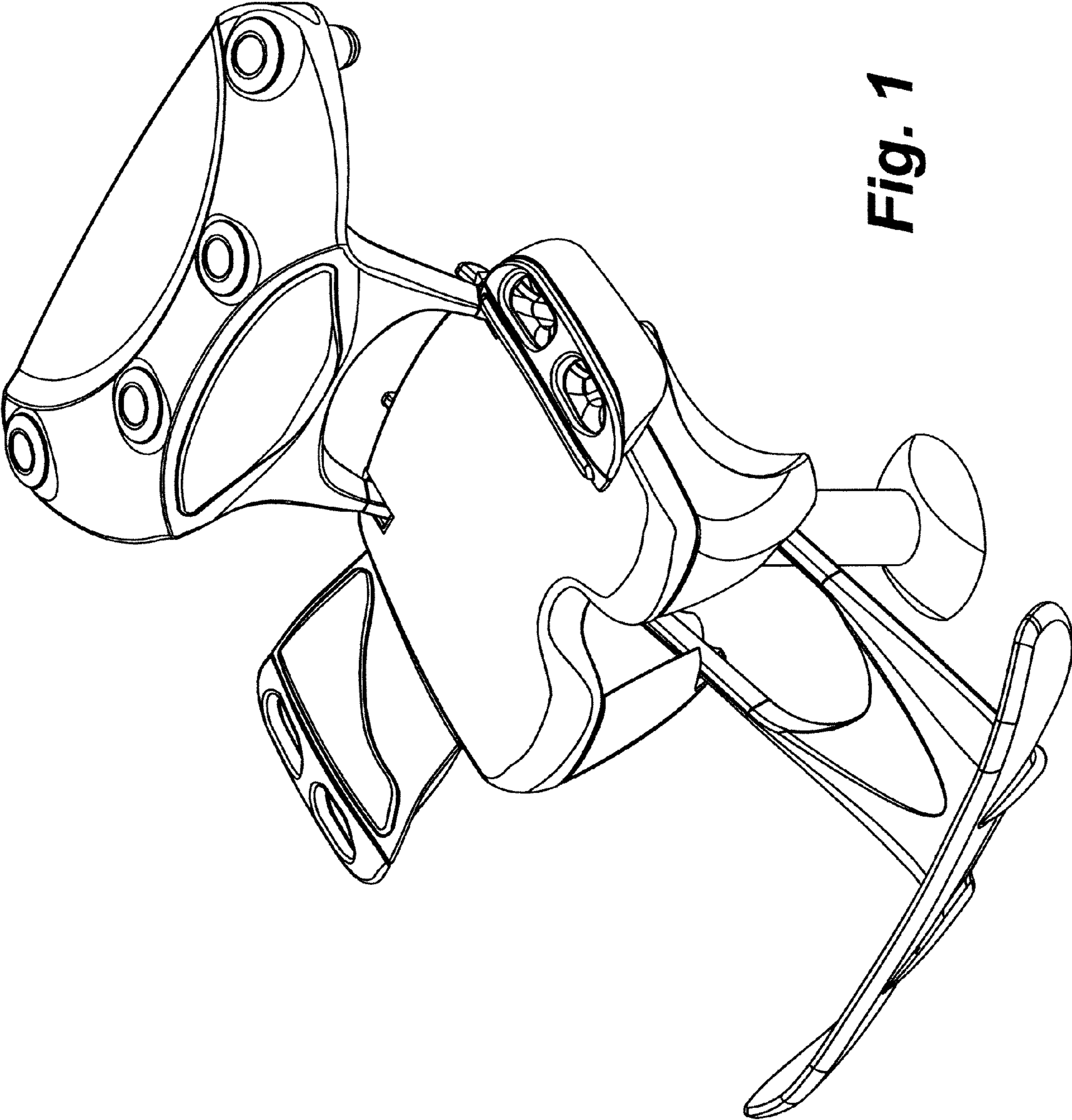


Fig. 1

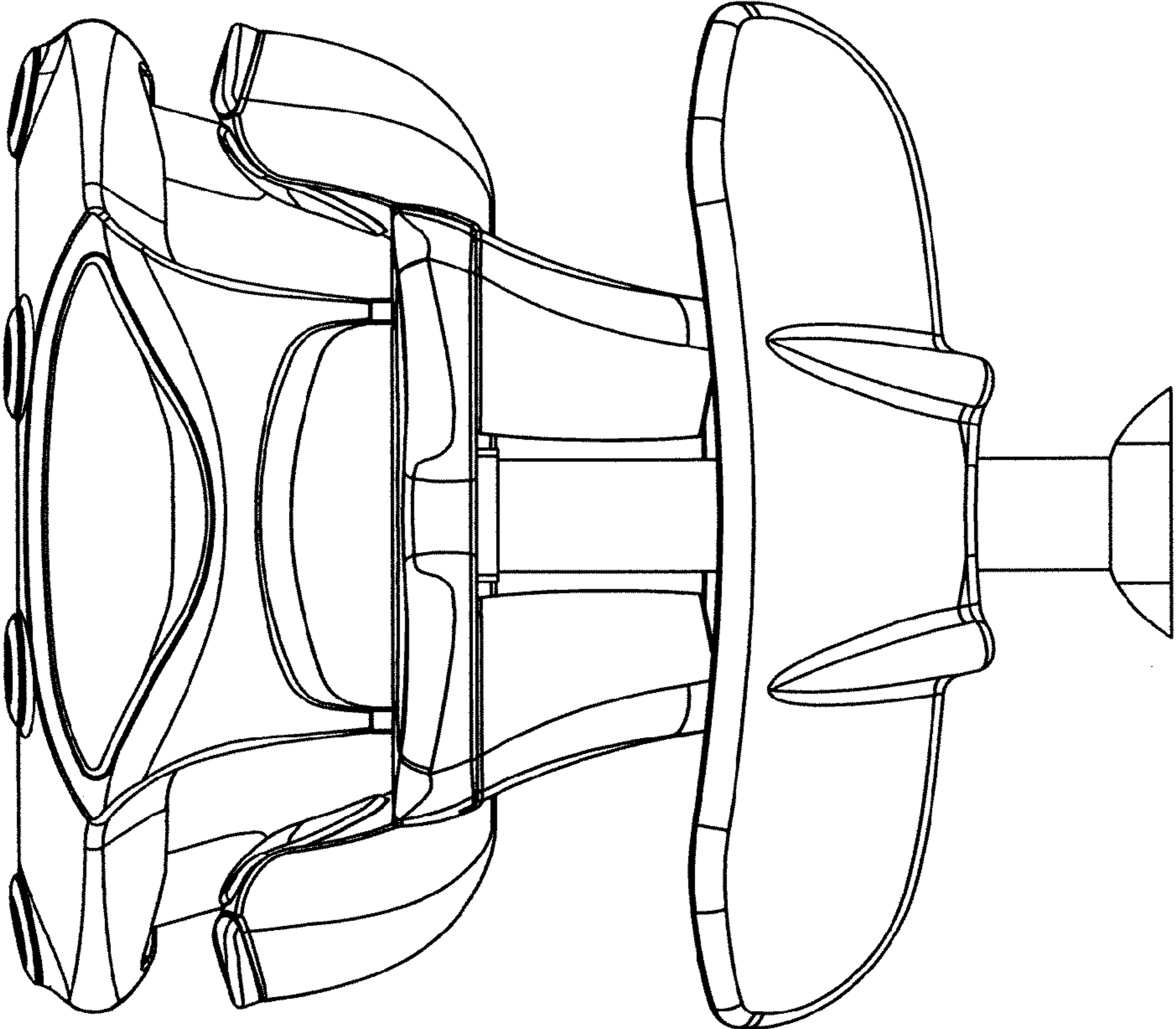


Fig. 2

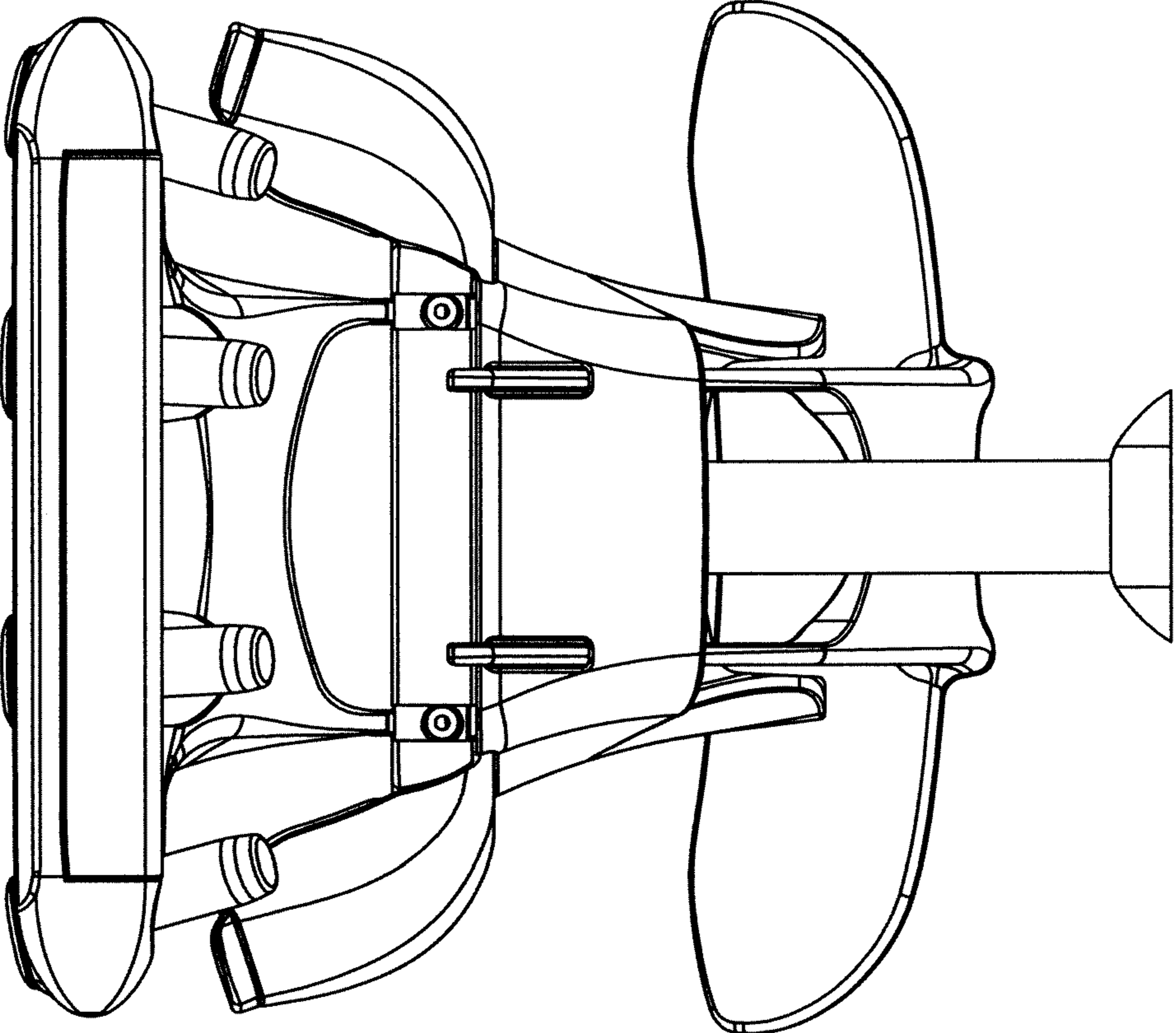


Fig. 3

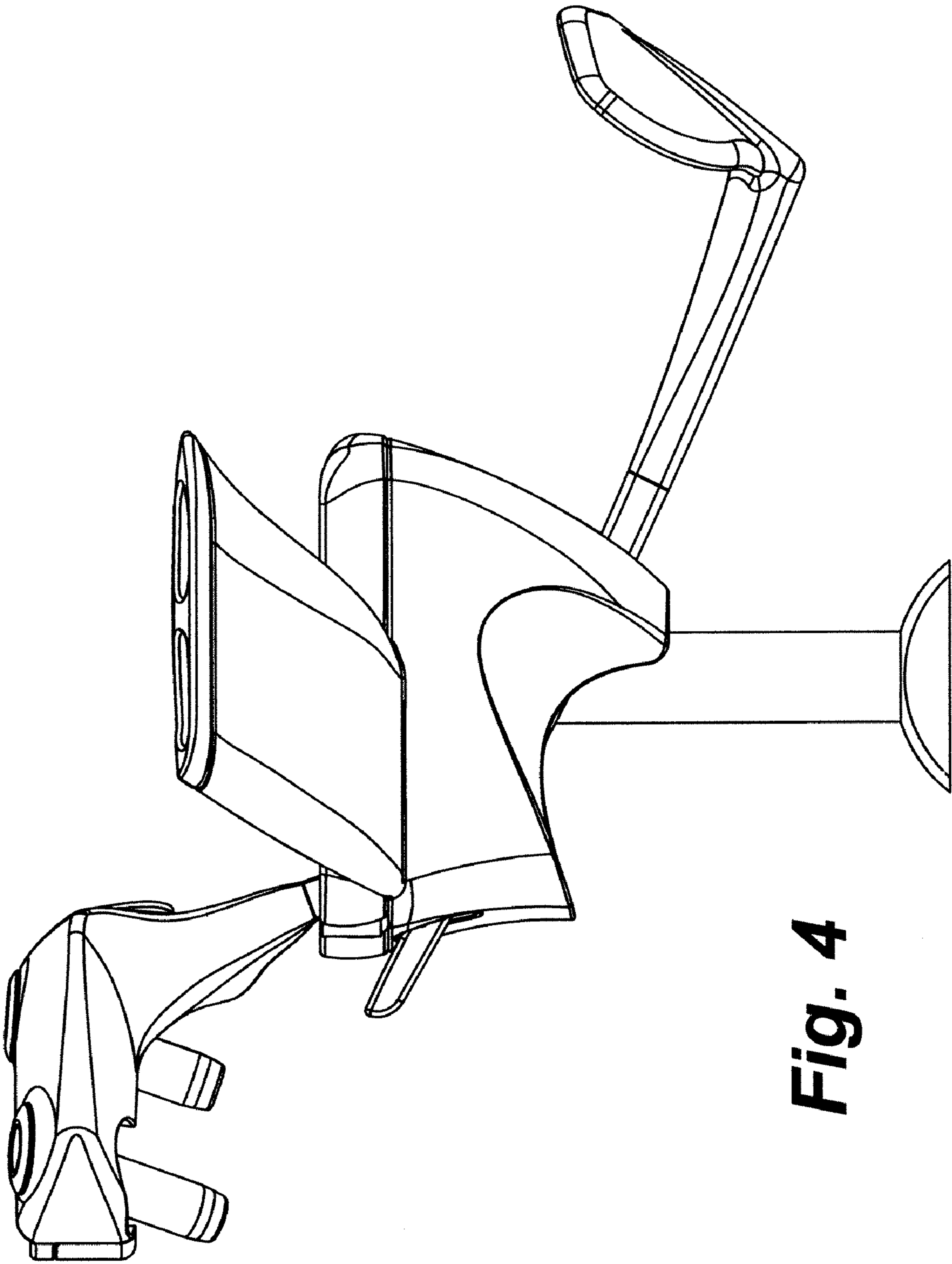


Fig. 4

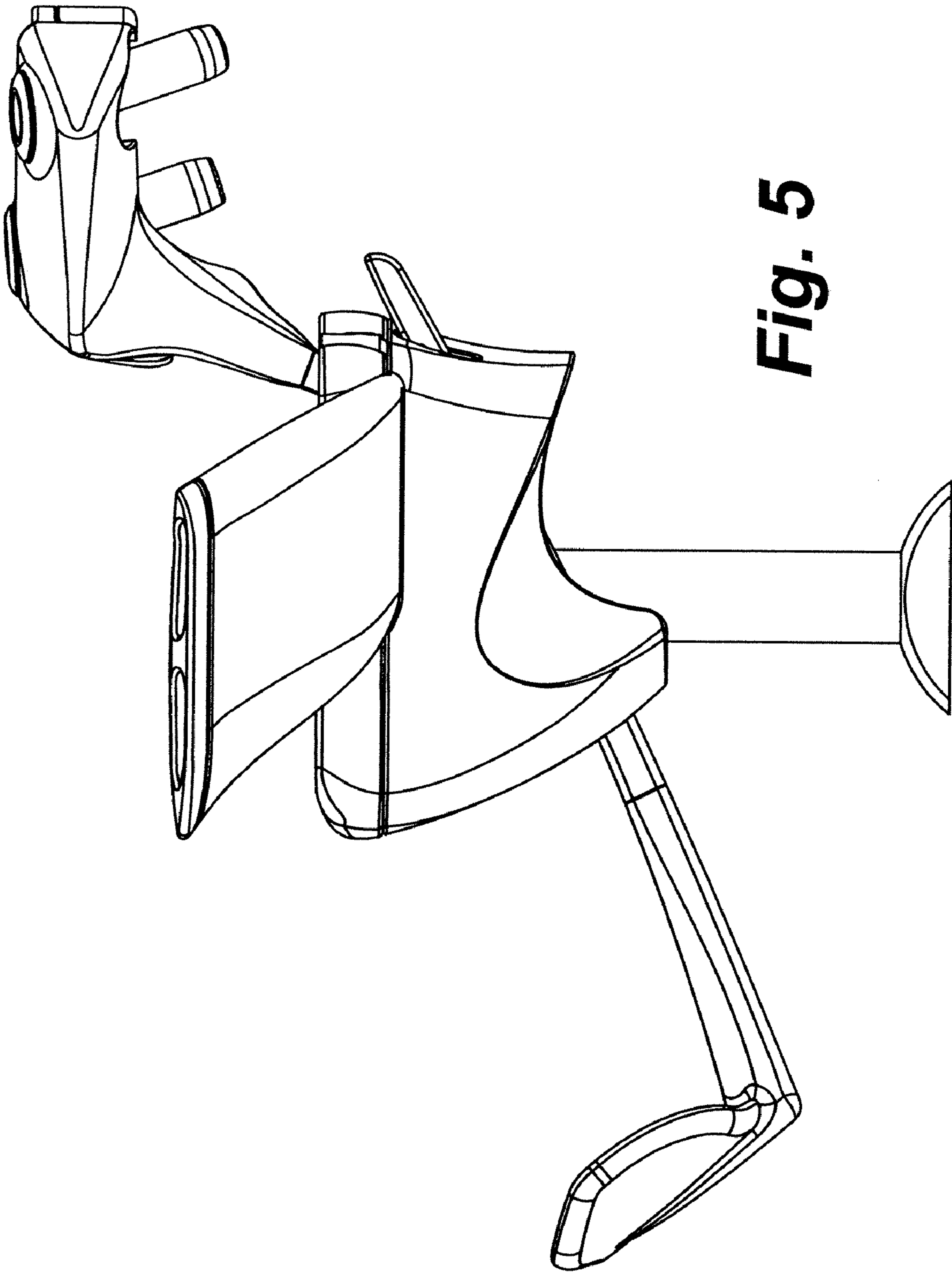


Fig. 5

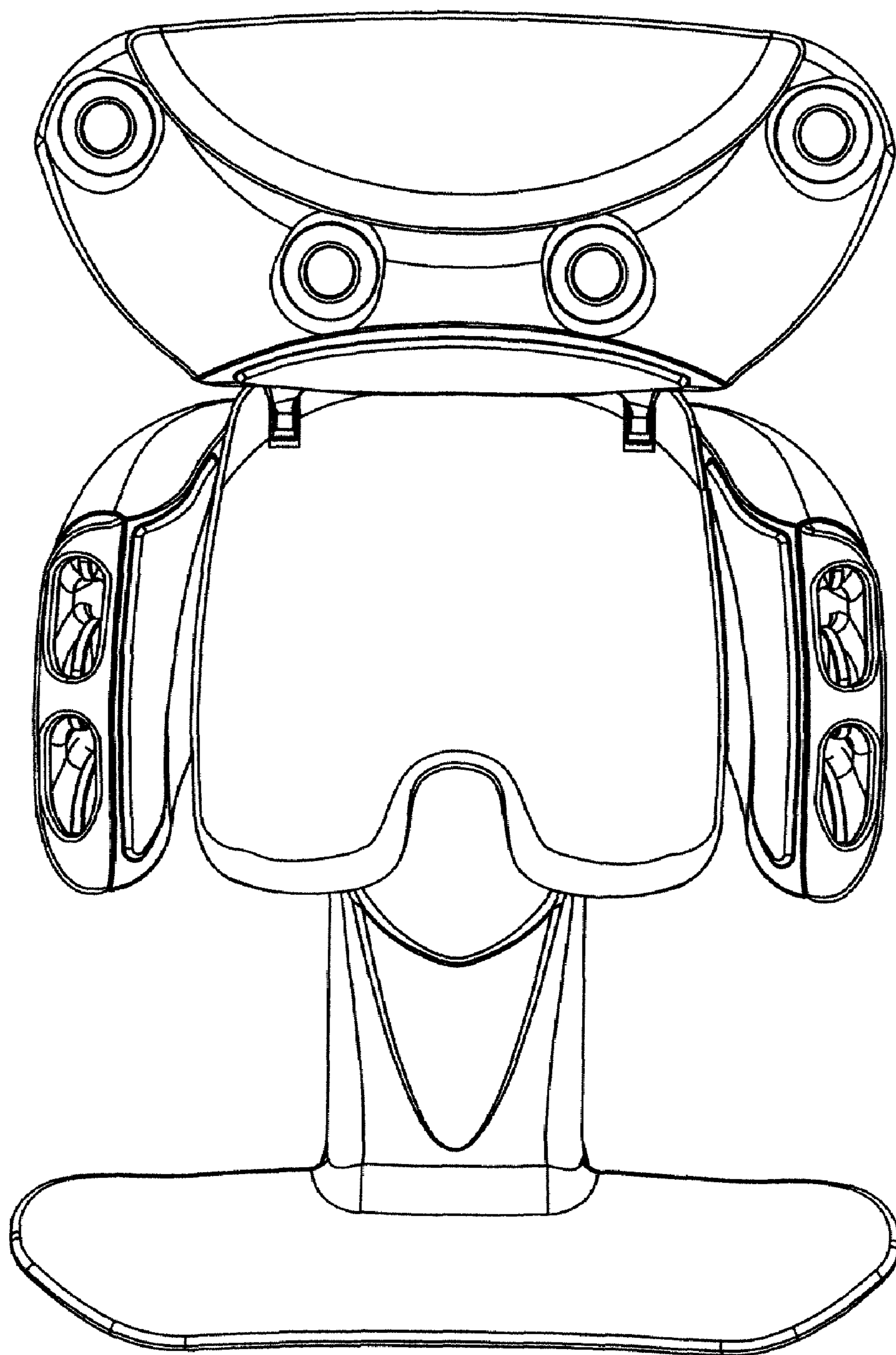


Fig. 6