

US00D597752S

(12) **United States Design Patent**  
**Hernandez et al.**

(10) **Patent No.:** **US D597,752 S**

(45) **Date of Patent:** **\*\* Aug. 11, 2009**

(54) **POWER STATION FOR PERSONAL ELECTRONIC DEVICES**

7,370,909 B2 \* 5/2008 Gevaert ..... 297/142

\* cited by examiner

(75) Inventors: **Hugo Alonso Hernandez**, Fort Worth, TX (US); **David Michael Herrera**, North Richland Hills, TX (US); **Chad Tyler Wadley**, Frisco, TX (US)

*Primary Examiner*—Sandra Snapp  
(74) *Attorney, Agent, or Firm*—Fish & Richardson P.C.

(73) Assignee: **Southwest Airlines Co.**, Dallas, TX (US)

(57) **CLAIM**

The ornamental design for a power station for personal electronic devices, as shown and described.

(\*\*) Term: **14 Years**

**DESCRIPTION**

(21) Appl. No.: **29/320,130**

FIG. 1 is a perspective view of a power station showing the top, front, and right sides of my new design;

(22) Filed: **Jun. 20, 2008**

FIG. 2 is a second perspective view, showing the top, rear, and right sides thereof;

(51) **LOC (9) Cl.** ..... **06-01**

FIG. 3 is a front side view thereof;

(52) **U.S. Cl.** ..... **D6/336**

FIG. 4 is a rear side view thereof;

(58) **Field of Classification Search** ..... D6/330, D6/335–338, 340, 349–355, 358, 359, 364, D6/366, 376, 491, 495, 500–502; 297/16.1, 297/39, 46, 135, 140, 156, 158.3, 158.4, 297/175, 177, 187, 195.1, 195.11, 211, 245, 297/423.1, 423.16, 445.1, 461, 462  
See application file for complete search history.

FIG. 5 is a left side view thereof;

FIG. 6 is a right side view thereof; and,

FIG. 7 is a top plan view thereof.

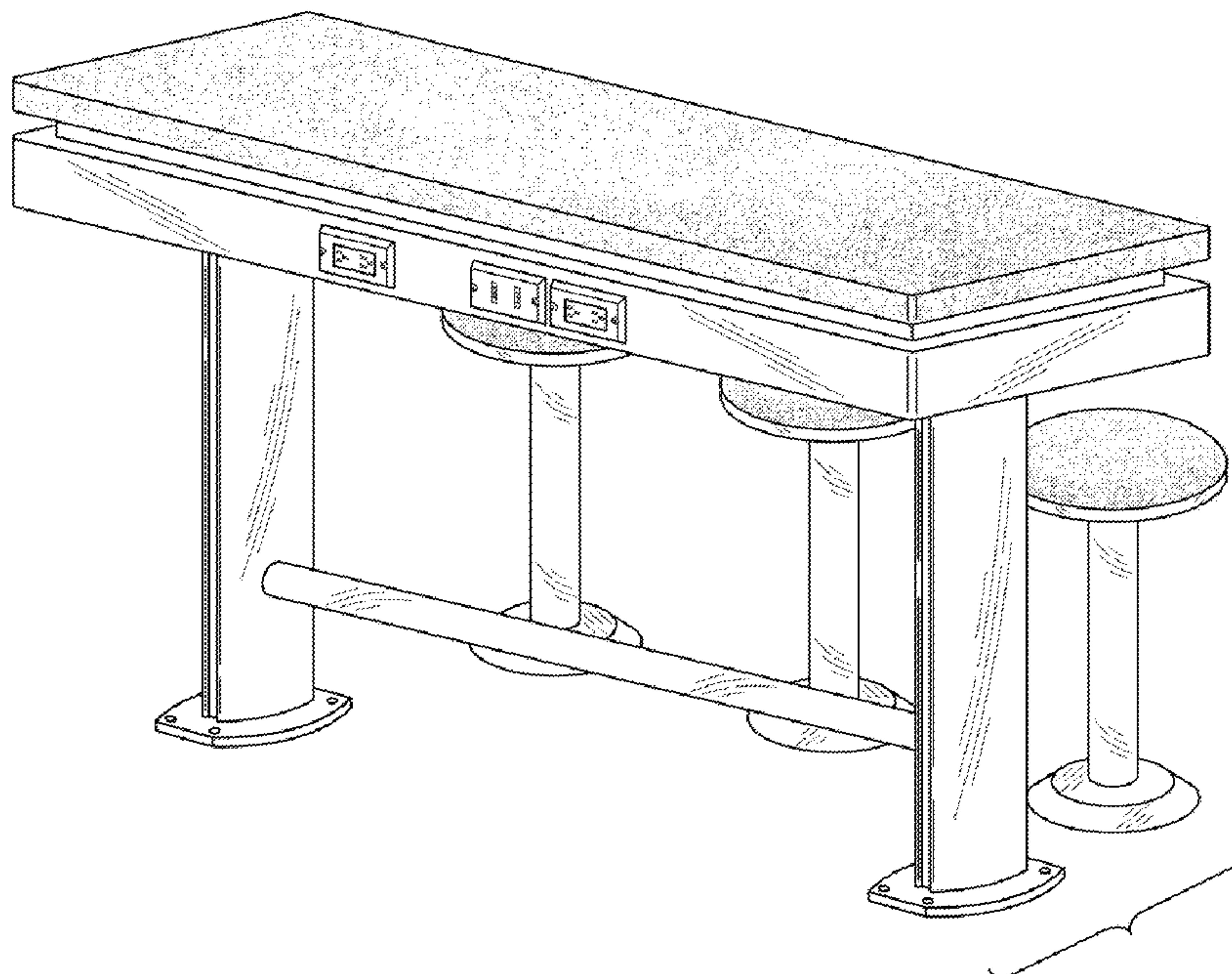
The characteristic feature of the ornamental design resides in the use of metallic surface material on portions of the power station. The metallic surface is illustrated in FIGS. 1–7 through the use of oblique line shading. Metallic surfaces may include such materials as chrome-plating, stainless steel, brass, gold, platinum, silver, etc. Surfaces not specified as metallic are illustrated in FIGS. 1–7 through the use of stippling.

(56) **References Cited**

**U.S. PATENT DOCUMENTS**

D96,841 S *	9/1935	Kelley	.....	D6/337
D158,921 S *	6/1950	McEwynn	.....	D6/337
D182,822 S *	5/1958	Kempner	.....	D6/337
3,486,790 A *	12/1969	Barecki et al.	.....	297/142
D379,874 S *	6/1997	Stirling et al.	.....	D6/338

**1 Claim, 6 Drawing Sheets**



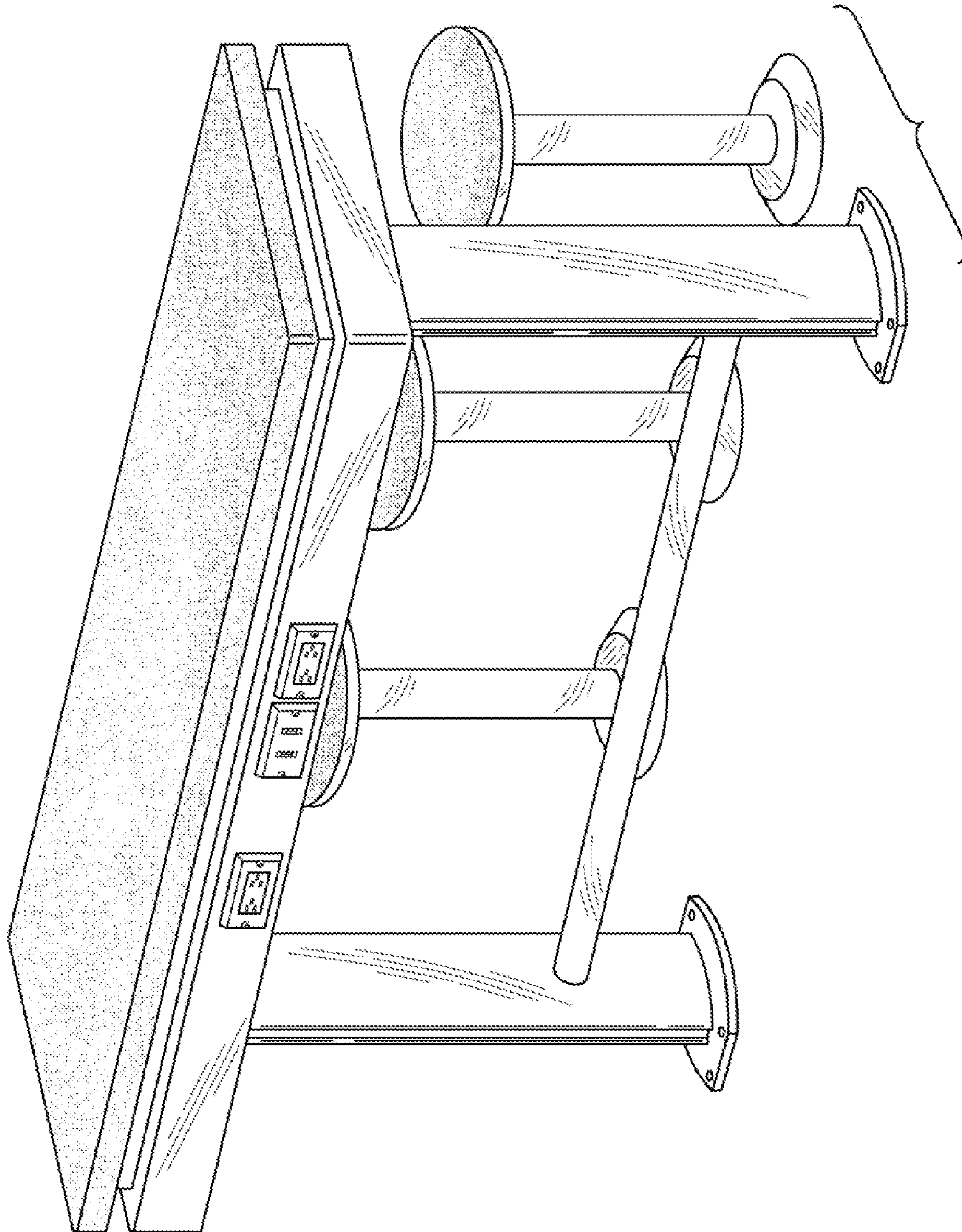


FIG. 1



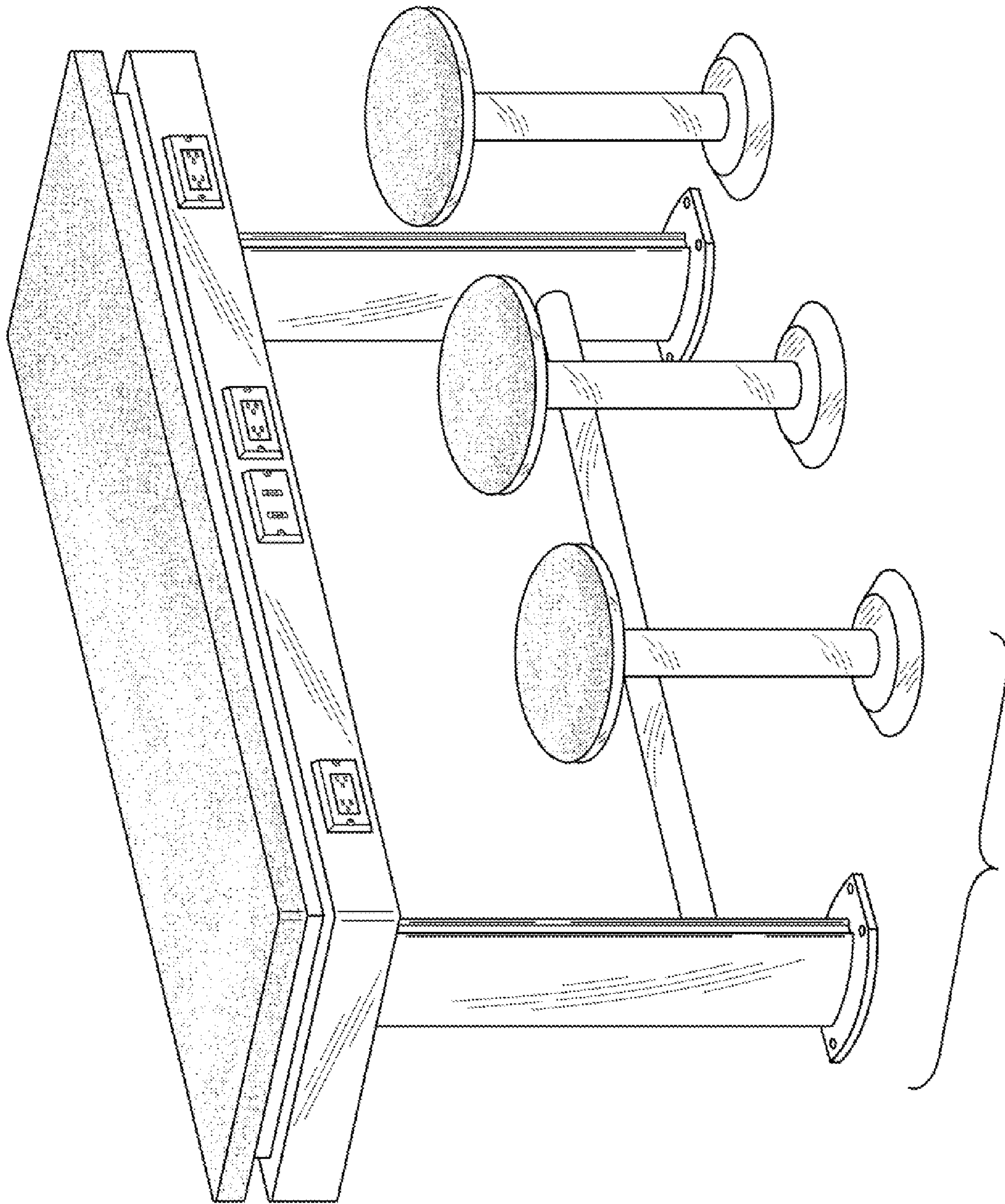


FIG. 2

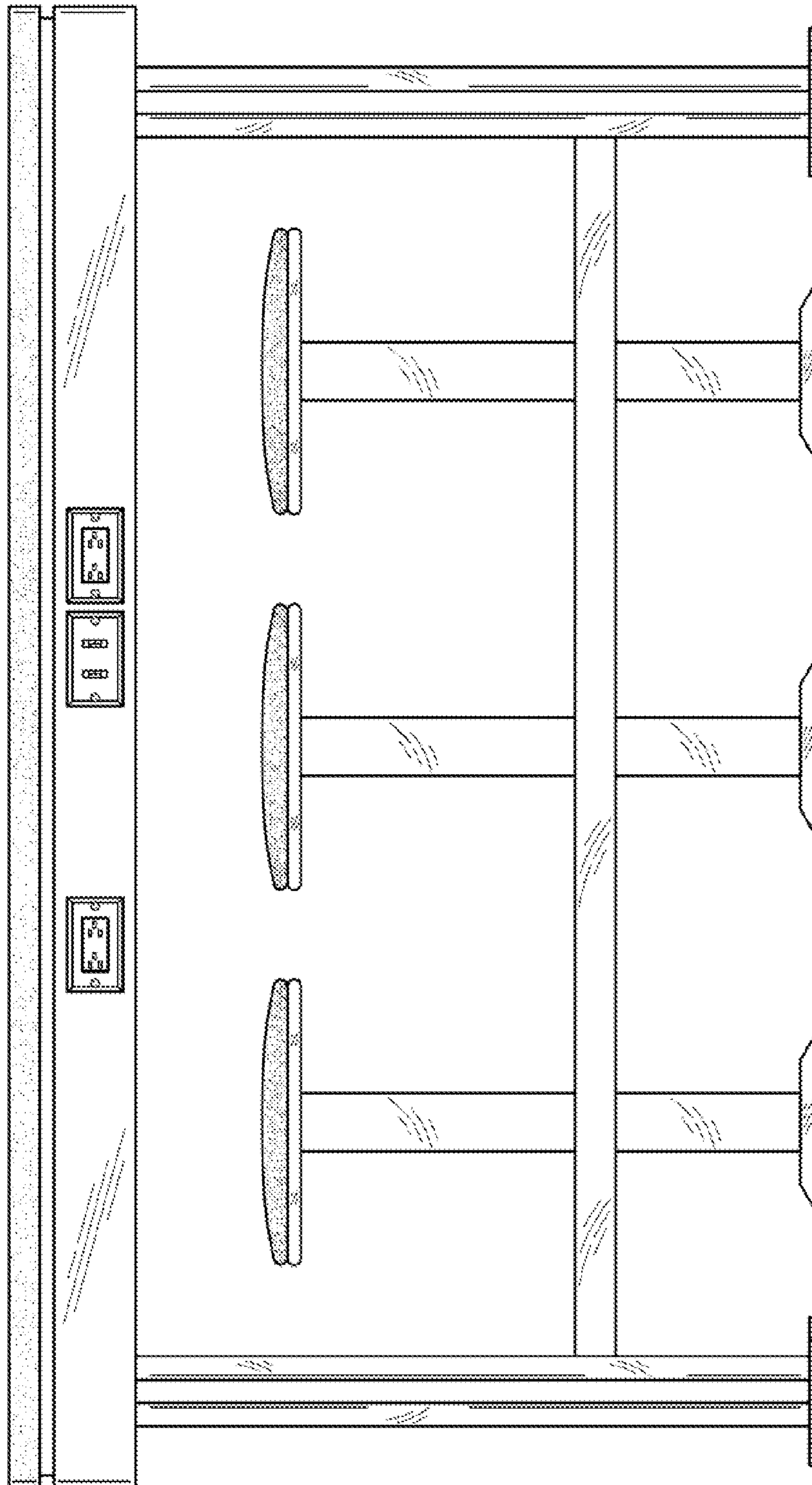


FIG. 3

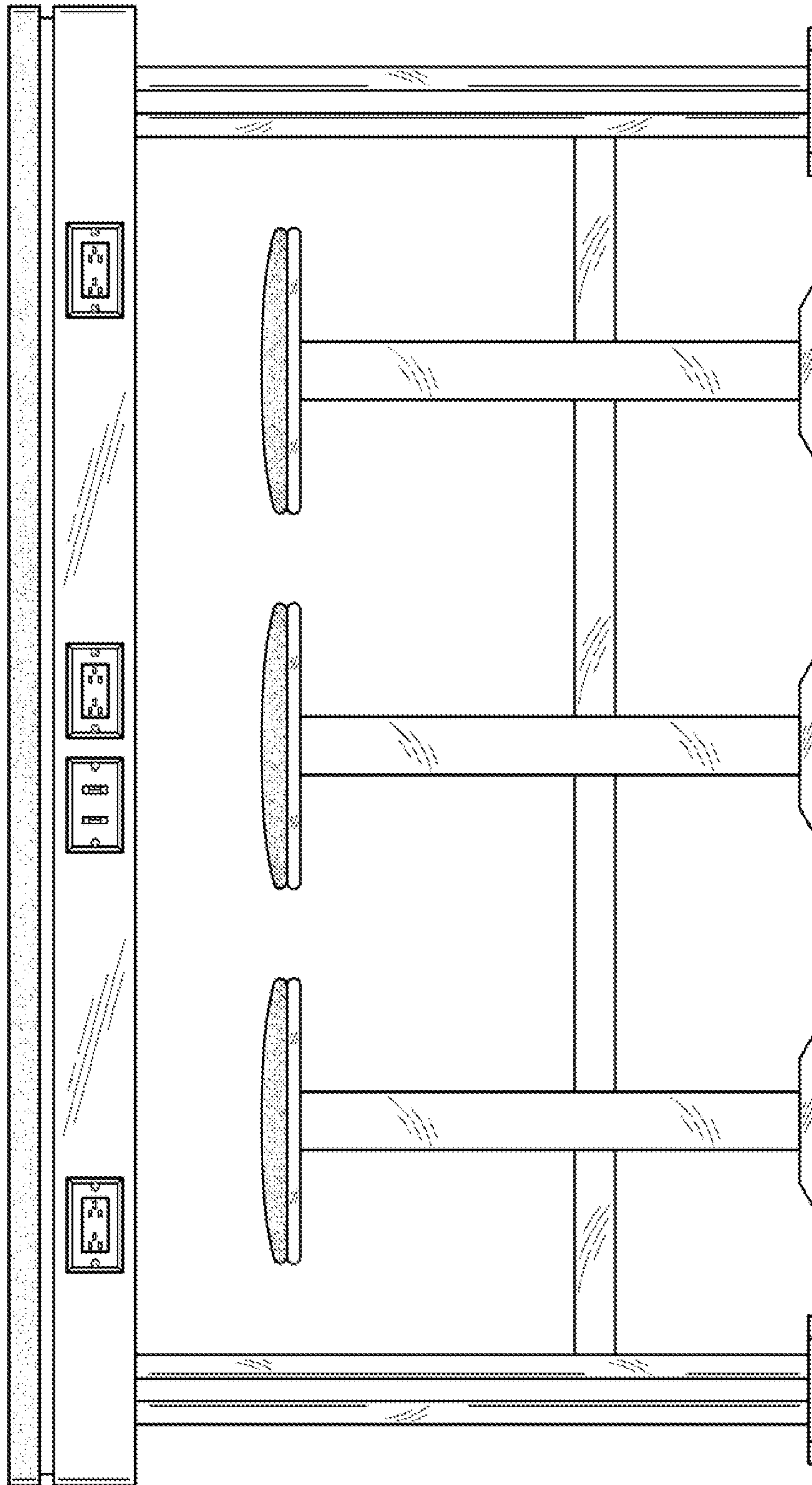


FIG. 4

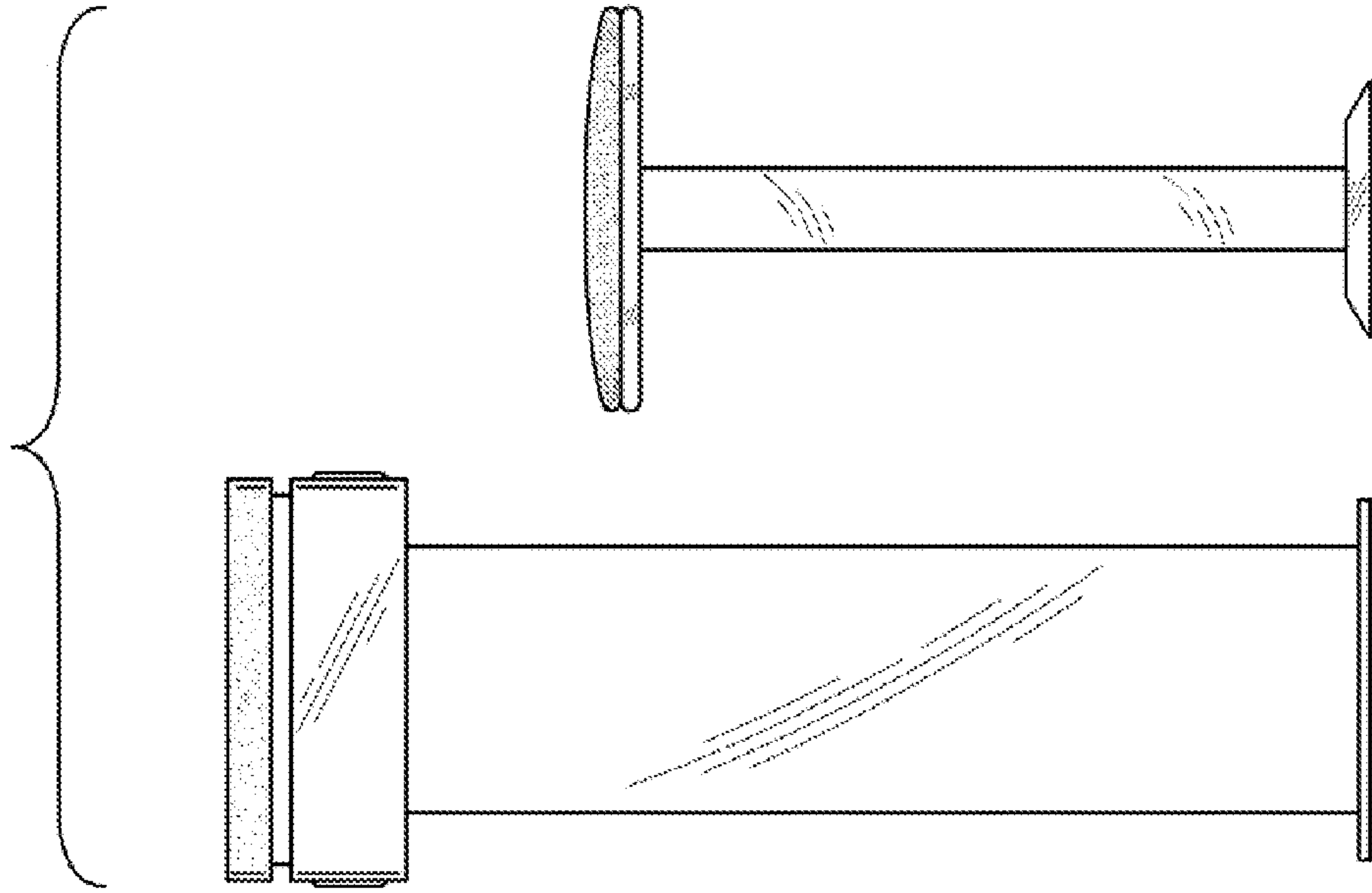


FIG. 5

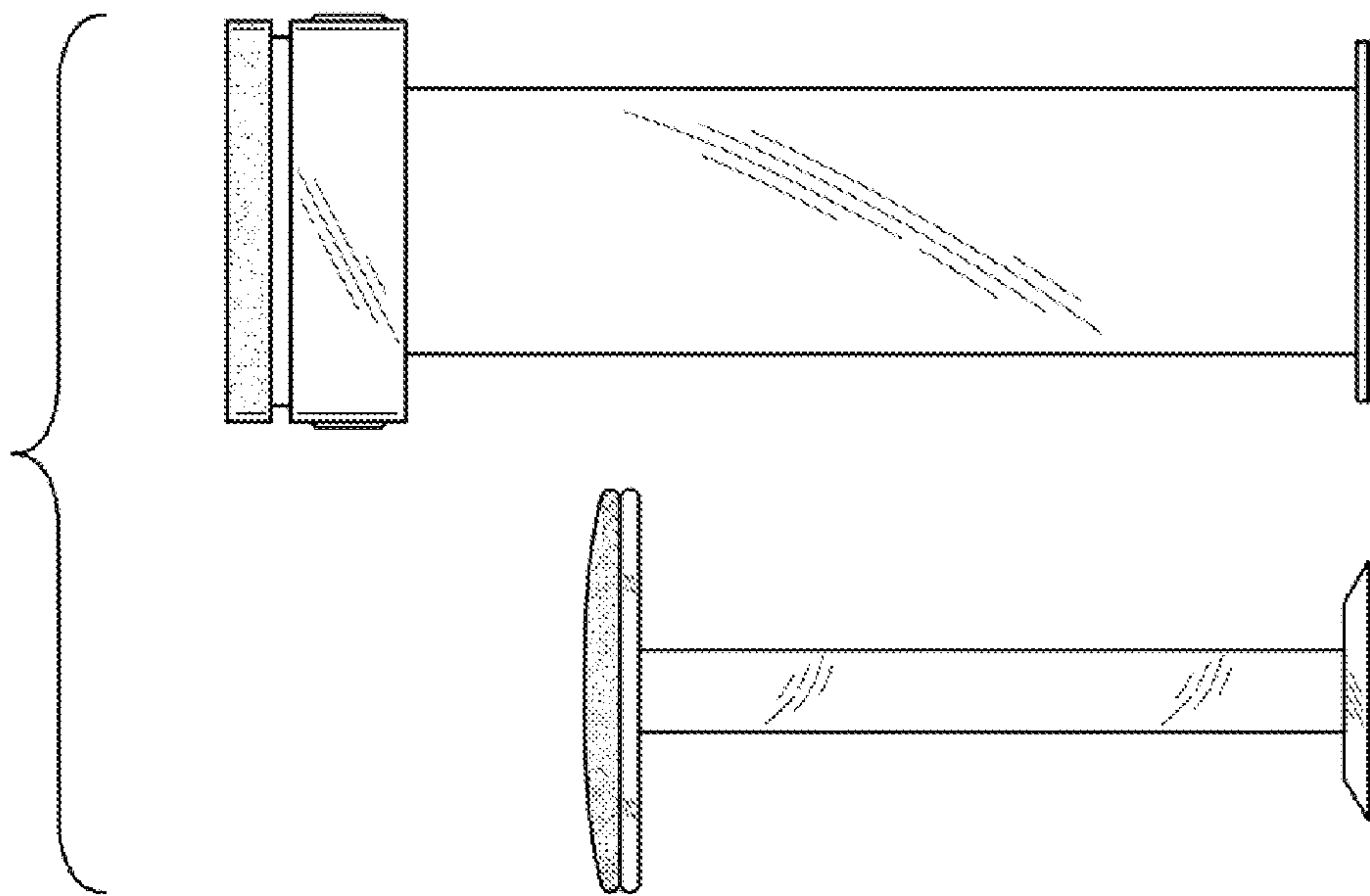


FIG. 6



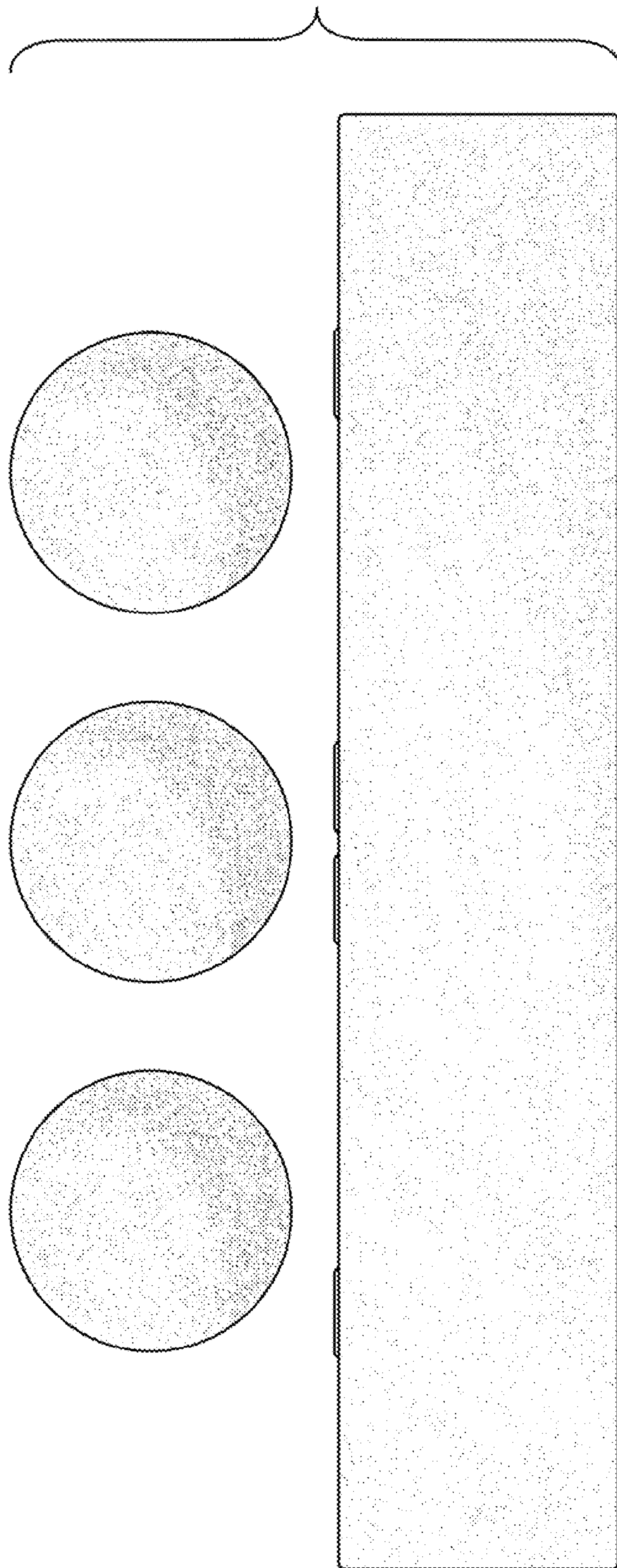


FIG. 7