



US00D597751S

(12) **United States Design Patent**
Cohen

(10) **Patent No.:** **US D597,751 S**
(45) **Date of Patent:** **** Aug. 11, 2009**

(54) **REVERSIBLE STEP STOOL AND PAIL**

(75) Inventor: **Neil Cohen**, New York, NY (US)

(73) Assignee: **Better Houseware Corp.**, Long Island City, NY (US)

(**) Term: **14 Years**

(21) Appl. No.: **29/310,320**

(22) Filed: **Aug. 8, 2008**

(51) **LOC (9) Cl.** **06-01**

(52) **U.S. Cl.** **D6/335; D32/53**

(58) **Field of Classification Search** D6/330,
D6/335-338, 340, 349-355, 358, 359, 364,
D6/366, 376, 491, 495, 500-502; 297/16.1,
297/39, 46, 135, 140, 156, 158.3, 158.4,
297/175, 177, 187, 195.1, 195.11, 211, 245,
297/423.1, 423.16, 445.1, 461, 462; D32/53,
D32/53.1; 220/507

See application file for complete search history.

(56) **References Cited**

U.S. PATENT DOCUMENTS

- 1,694,545 A * 12/1928 Johansen 220/86.1
- 2,919,169 A * 12/1959 Jackson 312/235.2
- D213,552 S * 3/1969 Hall D6/352
- 3,751,845 A * 8/1973 van Leeuwen 43/56
- D232,499 S * 8/1974 Marinelli D6/350
- D234,933 S * 4/1975 Burke D6/349
- 4,295,680 A * 10/1981 Grasso 297/188.09
- 4,580,607 A * 4/1986 Cantele 297/217.1
- 5,243,903 A * 9/1993 Blackmer et al. 100/102
- D417,935 S * 12/1999 Primeau D32/53
- D425,277 S * 5/2000 Kent D32/53
- 6,062,389 A * 5/2000 Kent 206/518
- D428,716 S * 8/2000 Larger D6/349
- D501,118 S * 1/2005 Schrock D7/619.1
- D537,996 S * 3/2007 Lundy D32/53.1
- D541,531 S * 5/2007 Leao D3/308
- D546,012 S * 7/2007 Casteel et al. D32/53
- D564,244 S * 3/2008 Ikaheimo D6/349

- D578,264 S * 10/2008 Lundy et al. D32/53.1
- D579,678 S * 11/2008 Auberger et al. D6/349
- D586,574 S * 2/2009 Gomree D6/350
- 2006/0226154 A1 * 10/2006 Lundy et al. 220/507

* cited by examiner

Primary Examiner—Sandra Snapp

(74) *Attorney, Agent, or Firm*—Brian Roffe

(57) **CLAIM**

The new, original and ornamental design for a reversible step stool and pail, as shown and described.

DESCRIPTION

FIG. 1 is a front, right side perspective view of a reversible step stool and pail showing my new design when oriented for use as a pair with a handle shown in an upright state;

FIG. 2 is a front, right side perspective view thereof when oriented for use as a pail with the handle shown in a state of rest;

FIG. 3 is a front, right side perspective view thereof when oriented for use as a step stool;

FIG. 4 is a top plan view thereof when oriented for use as a pail and a bottom plan view thereof when oriented for use as a step stool;

FIG. 5 is a bottom plan view thereof when oriented for use as a pail and a top plan view thereof when oriented for use as a step stool;

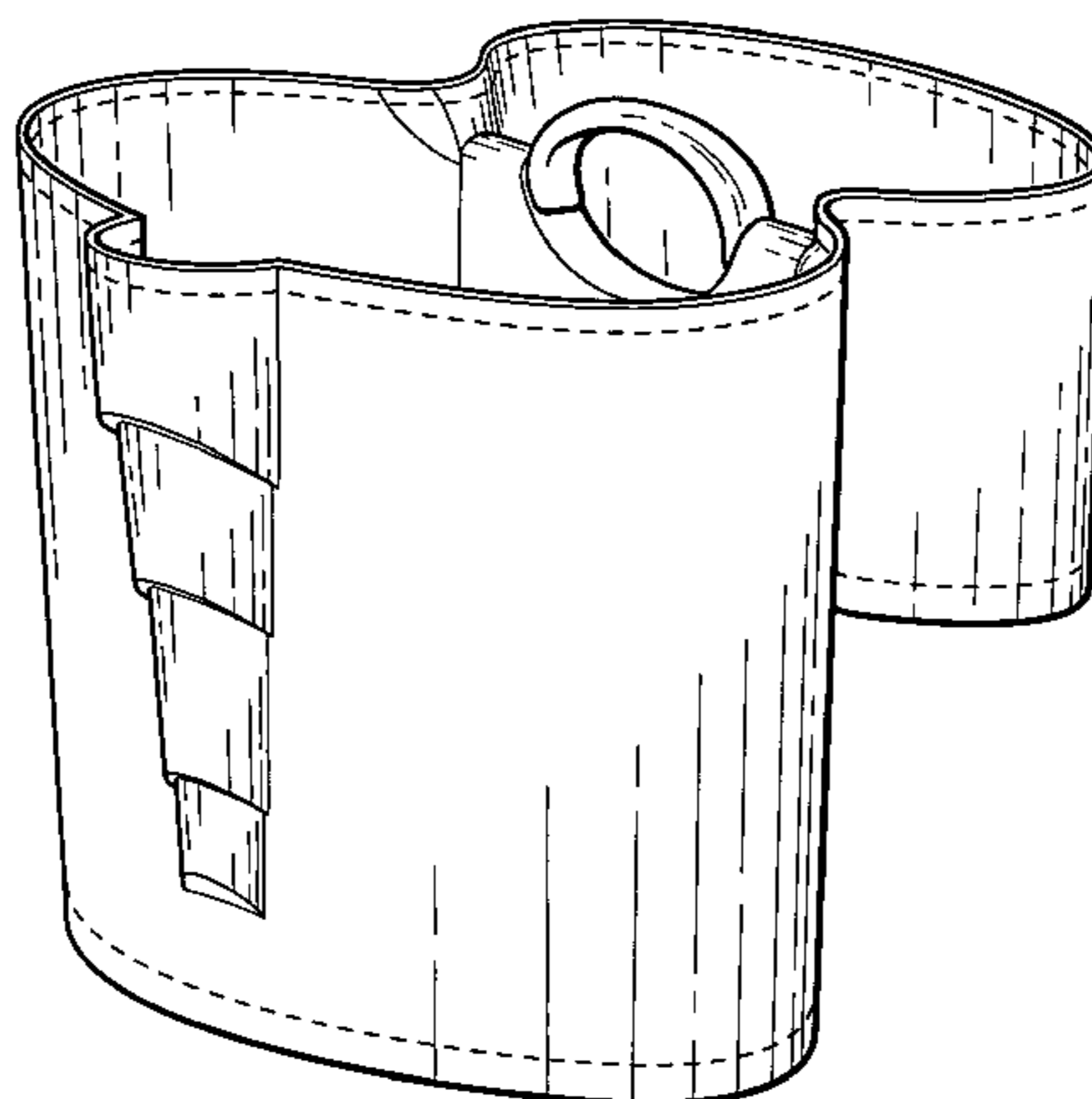
FIG. 6 is a front elevational view thereof when oriented for use as a pail;

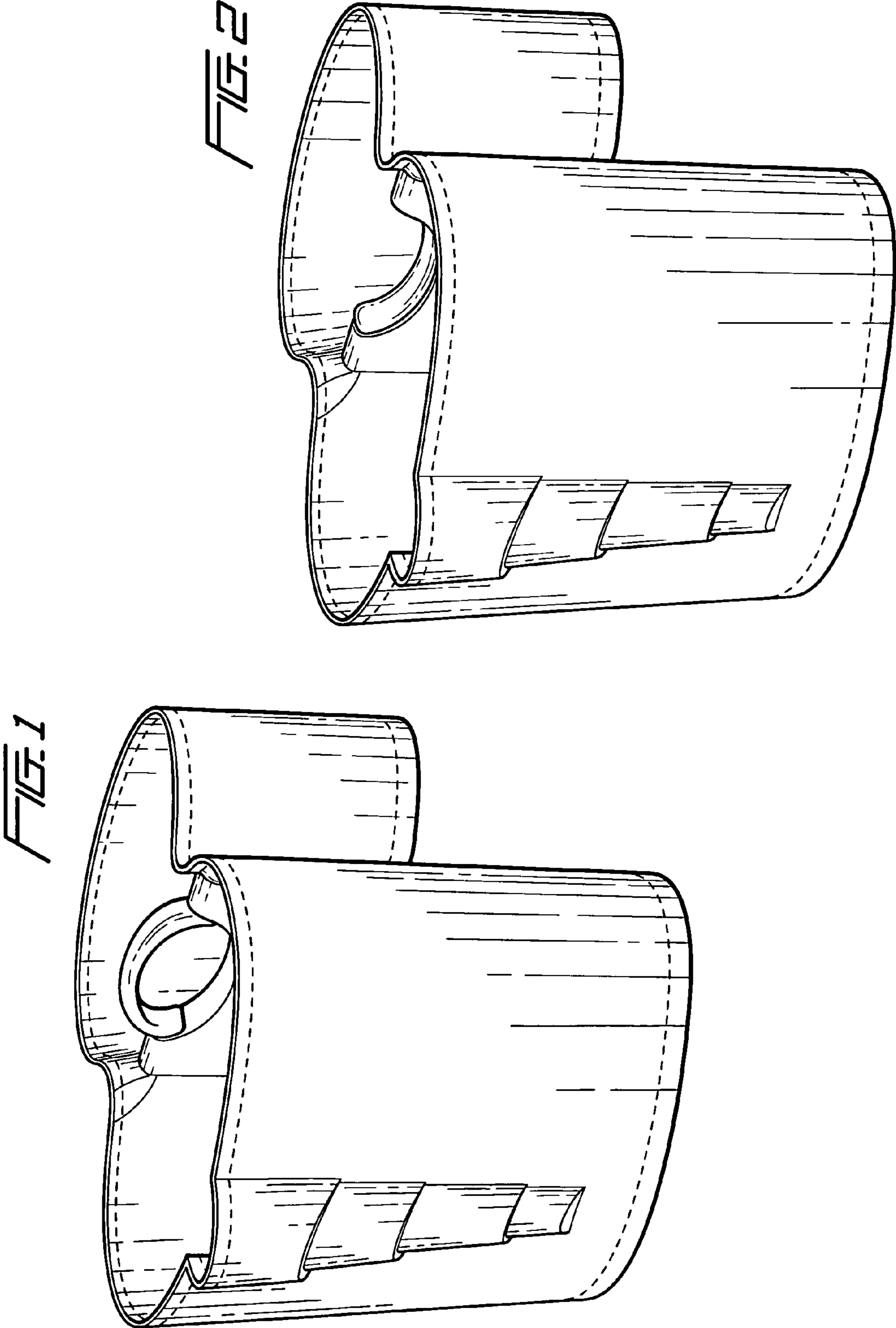
FIG. 7 is a rear elevational view thereof when oriented for use as a pail; and,

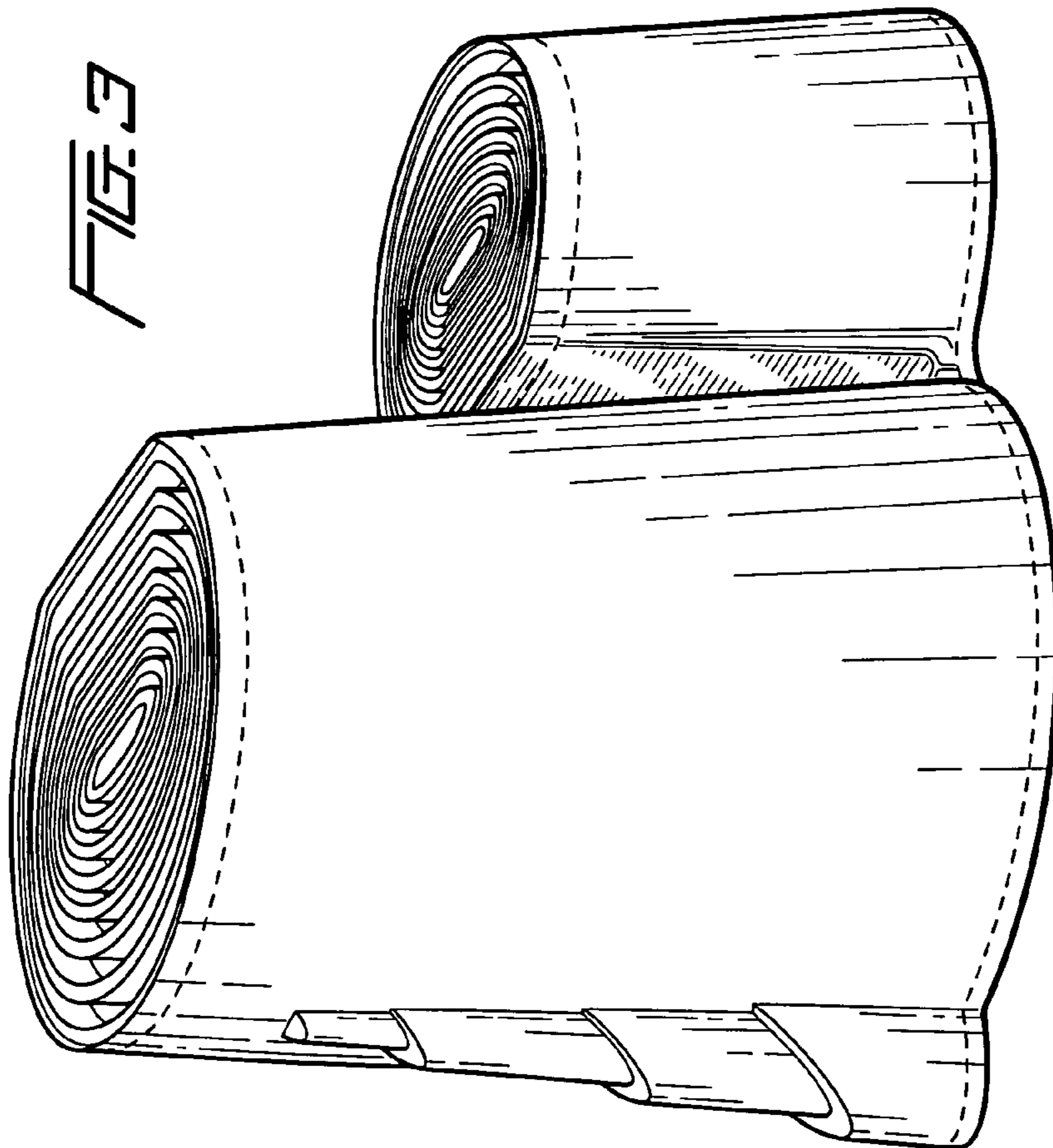
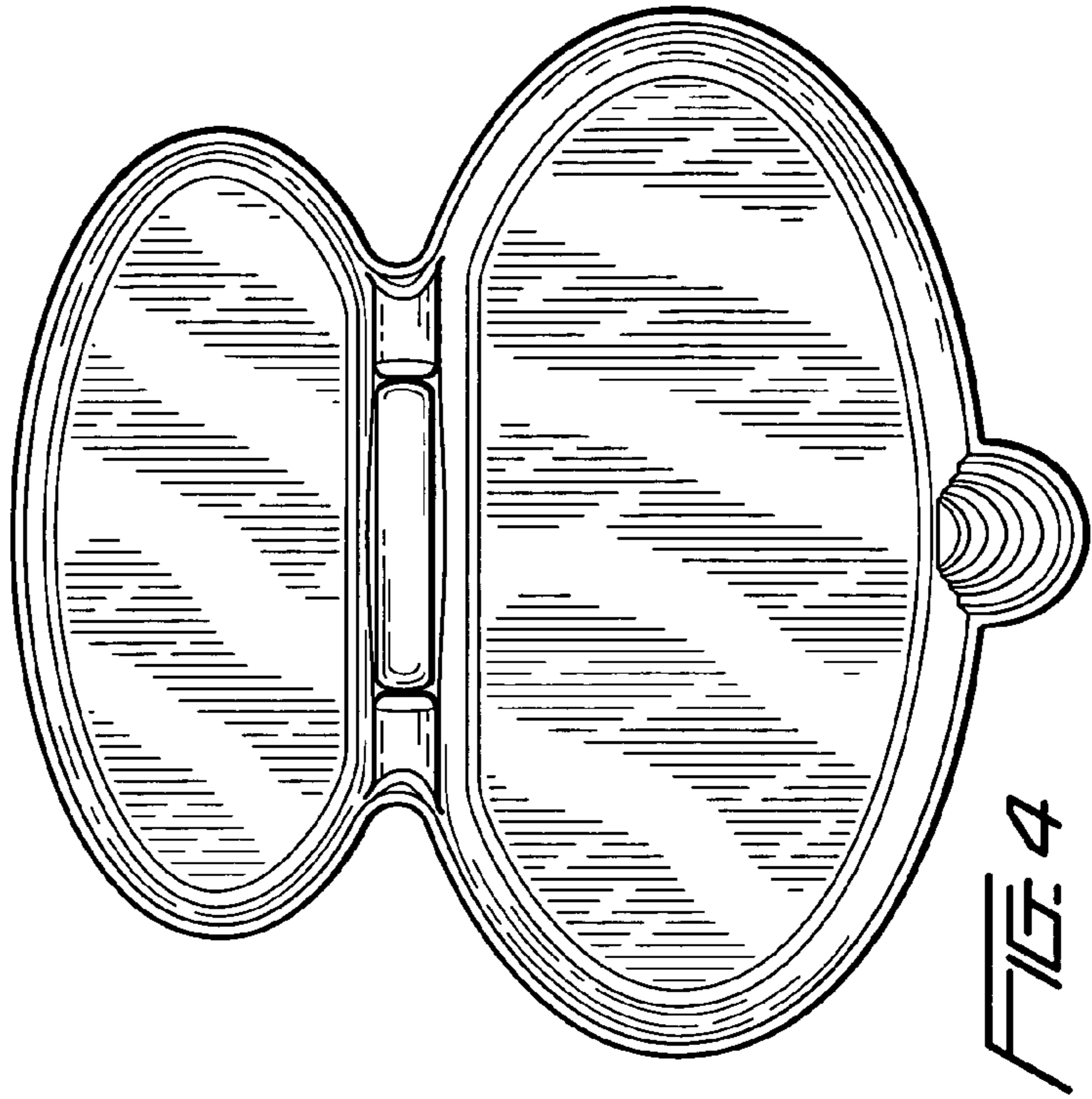
FIG. 8 is a right side elevational plan view thereof when oriented for use as a pail, the left side being a mirror image thereof.

The broken lines shown in the drawings are for illustrative purposes only and form no part of the claimed design.

1 Claim, 4 Drawing Sheets







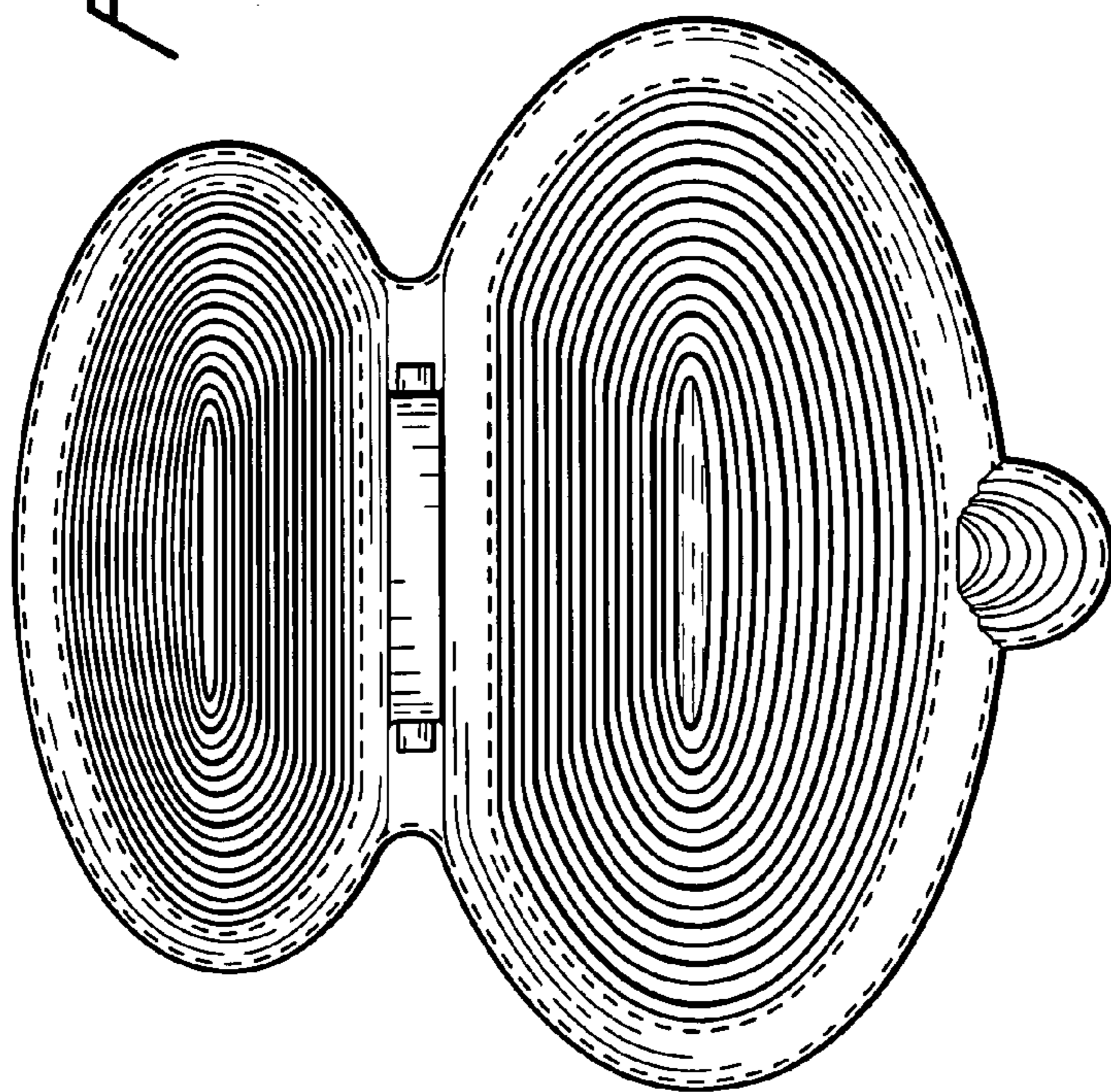


FIG. 5

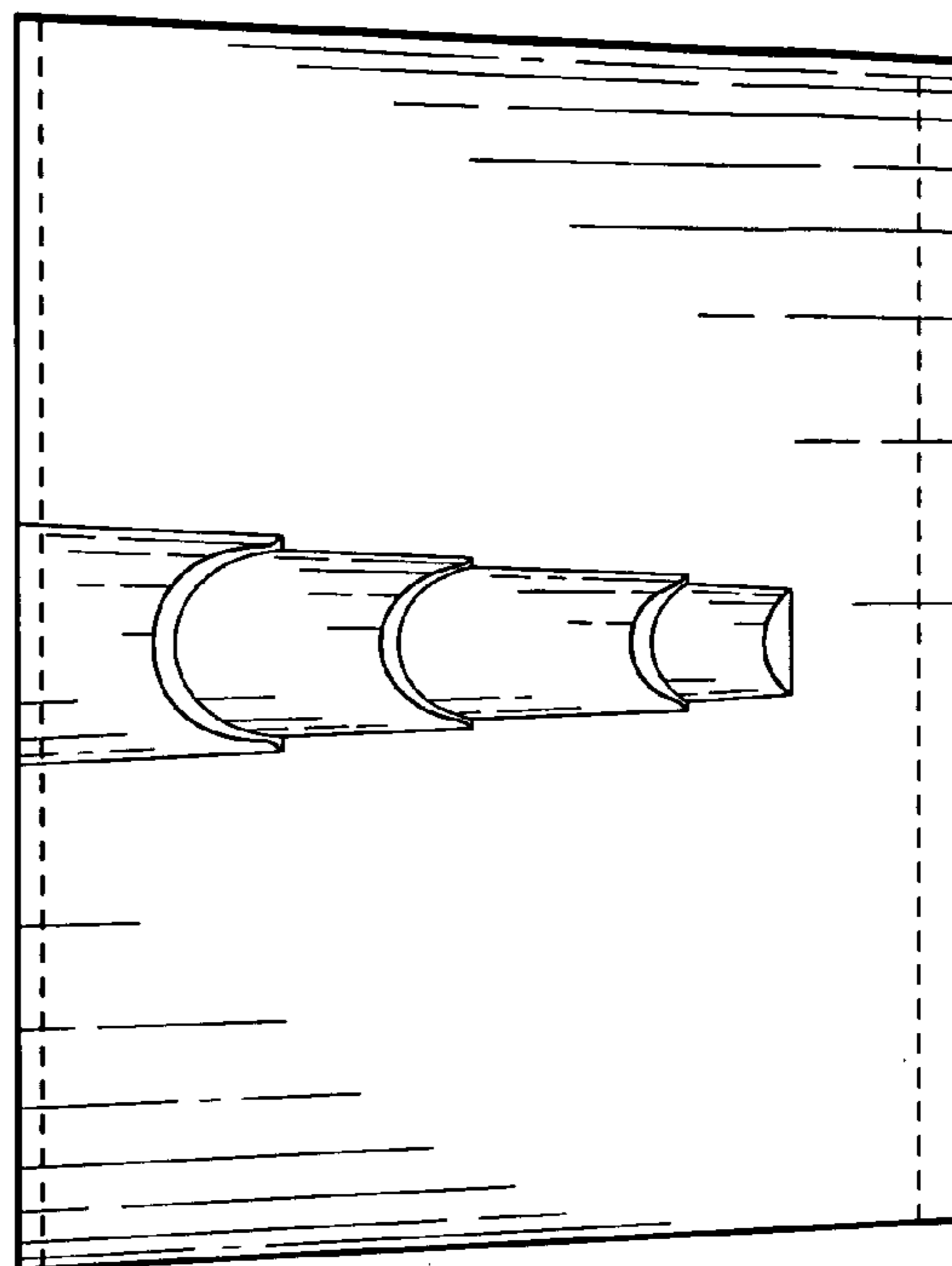


FIG. 6

FIG. 7

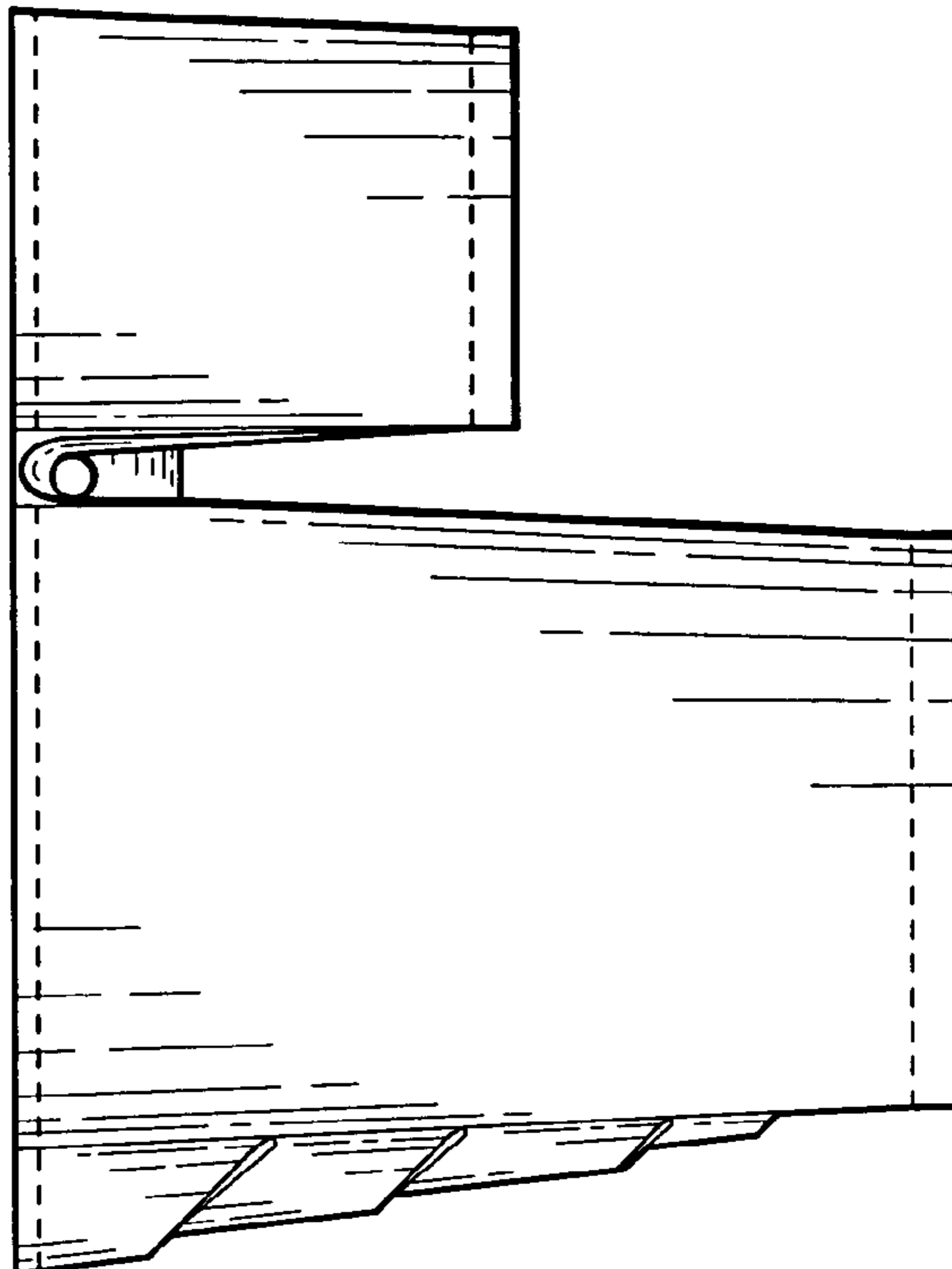
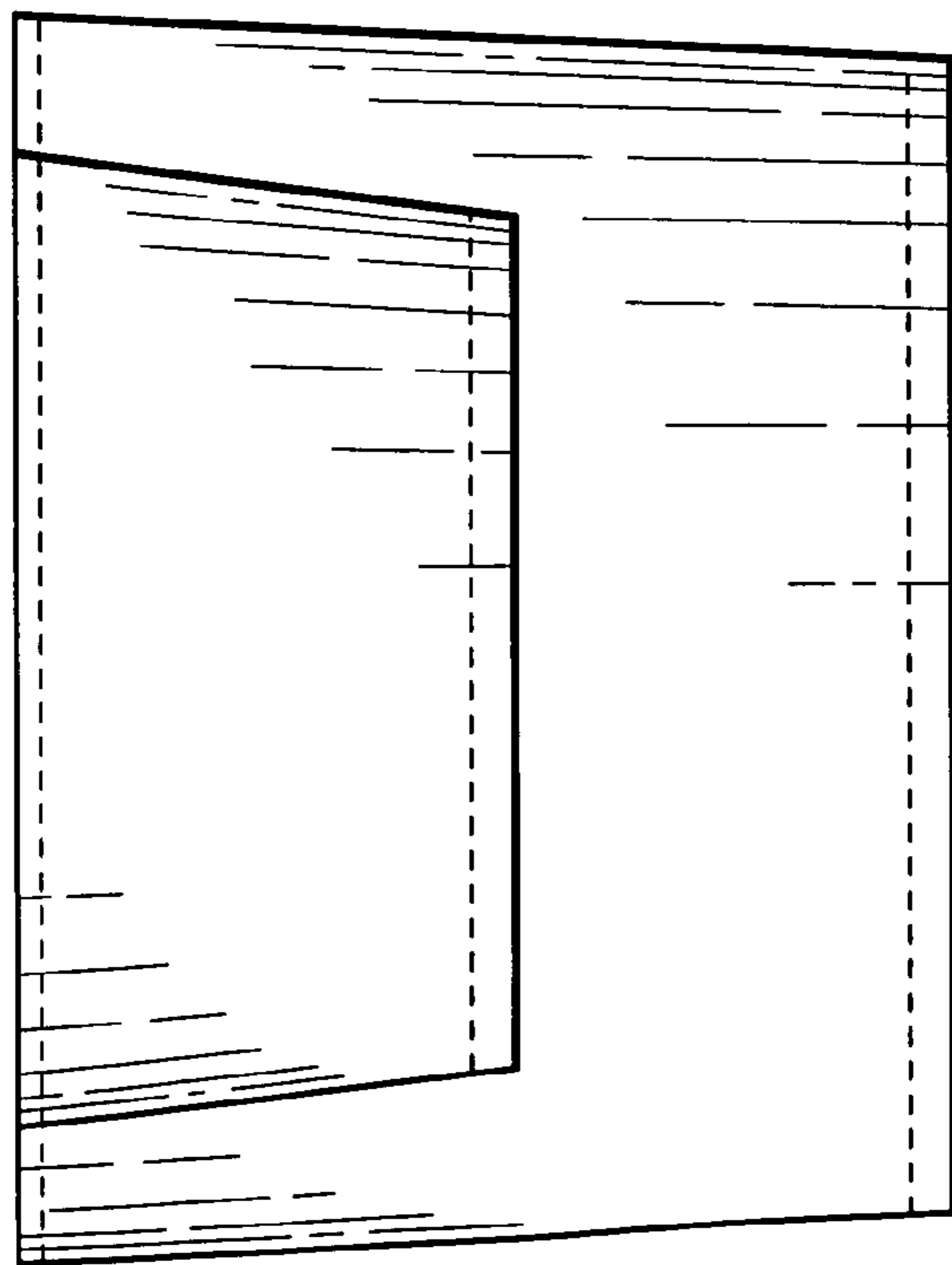


FIG. 8