



US00D597743S

(12) **United States Design Patent**
Skinner

(10) **Patent No.:** **US D597,743 S**

(45) **Date of Patent:** **** Aug. 11, 2009**

(54) **EXTRUSION FOR A PICTURE FRAME**

(76) **Inventor:** **Gary Raymond Skinner**, 585
Mickleham Road, Greenvale, Victoria
(AU) 3059

(**) **Term:** **14 Years**

(21) **Appl. No.:** **29/295,994**

(22) **Filed:** **Oct. 11, 2007**

(30) **Foreign Application Priority Data**

May 1, 2007 (AU) 17679/2007

(51) **LOC (9) Cl.** **06-04**

(52) **U.S. Cl.** **D6/300; D25/119**

(58) **Field of Classification Search** D6/300,
D6/491, 495, 509; D25/121, 136, 119, 124,
D25/125, 52, 60; 52/716.1, 17.01, 716.8
See application file for complete search history.

(56) **References Cited**

U.S. PATENT DOCUMENTS

D103,487 S *	3/1937	Bonnell	D25/119
D110,435 S *	7/1938	Lowry	D25/119
D128,793 S *	5/1941	Bonnell	D25/119
D141,051 S *	5/1945	Ketchum, Jr.	D25/119
D273,649 S *	5/1984	Spamer	D6/509
D473,662 S *	4/2003	Shaw	D25/119
D549,996 S *	9/2007	Guiles et al.	D6/495

* cited by examiner

Primary Examiner—Janice E Seeger

Assistant Examiner—Sydney R Buffalow

(74) *Attorney, Agent, or Firm*—Edwin D. Schindler

(57) **CLAIM**

The ornamental design for an extrusion for a picture frame, as shown and described.

DESCRIPTION

FIG. 1 is a perspective view of an extrusion for a picture frame showing the present design;

FIG. 2 is an enlarged, left-side end view of the extrusion for a picture frame of FIG. 1, the right-side end view being a mirror image thereof;

FIG. 3 is a front view of the extrusion for a picture frame of FIG. 1;

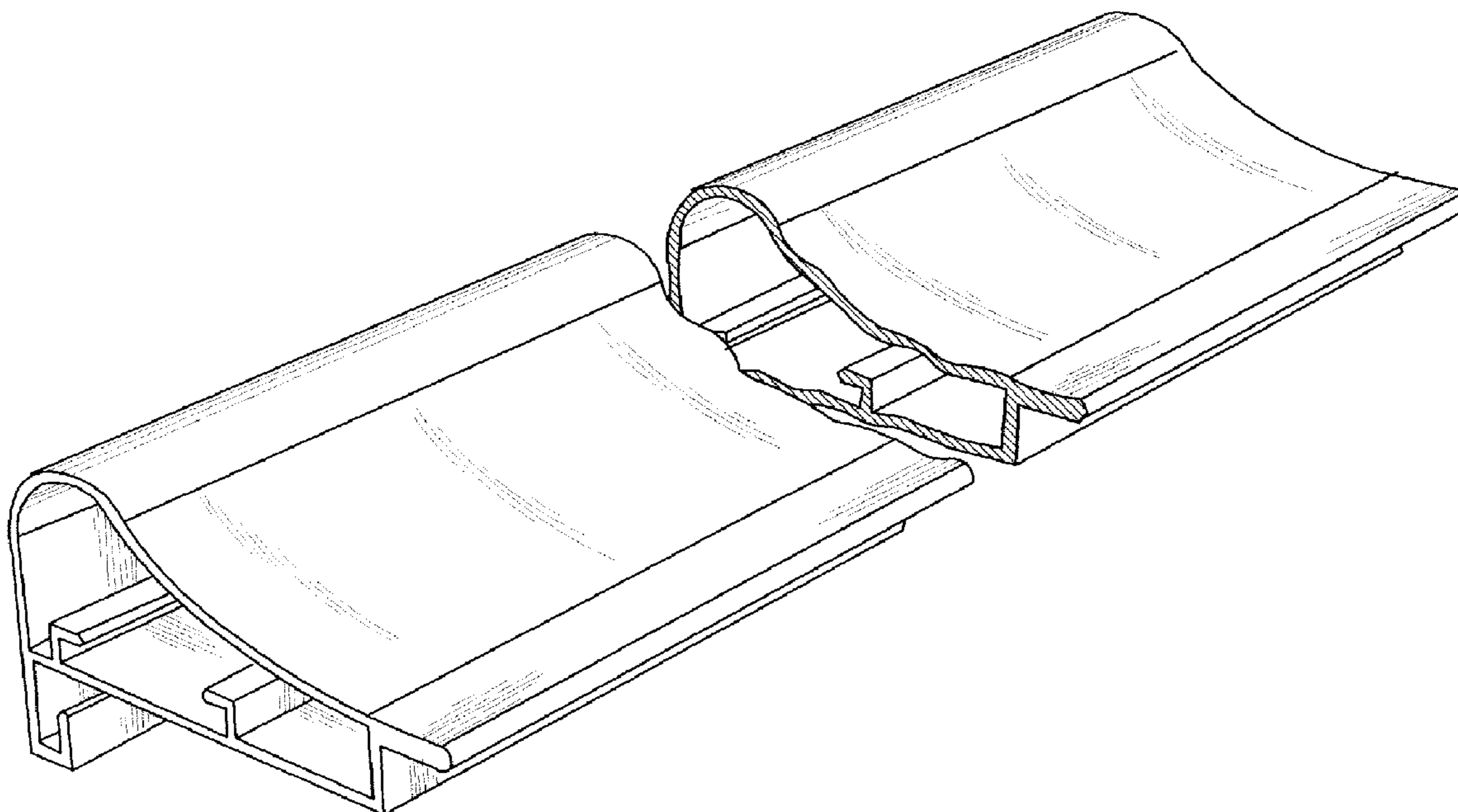
FIG. 4 is a rear view of the extrusion for a picture frame of FIG. 1;

FIG. 5 is a plan view of the extrusion of a picture frame of FIG. 1; and,

FIG. 6 is a bottom view of the extrusion of a picture frame of FIG. 1.

The views are shown broken away to indicate and indeterminate length.

1 Claim, 2 Drawing Sheets



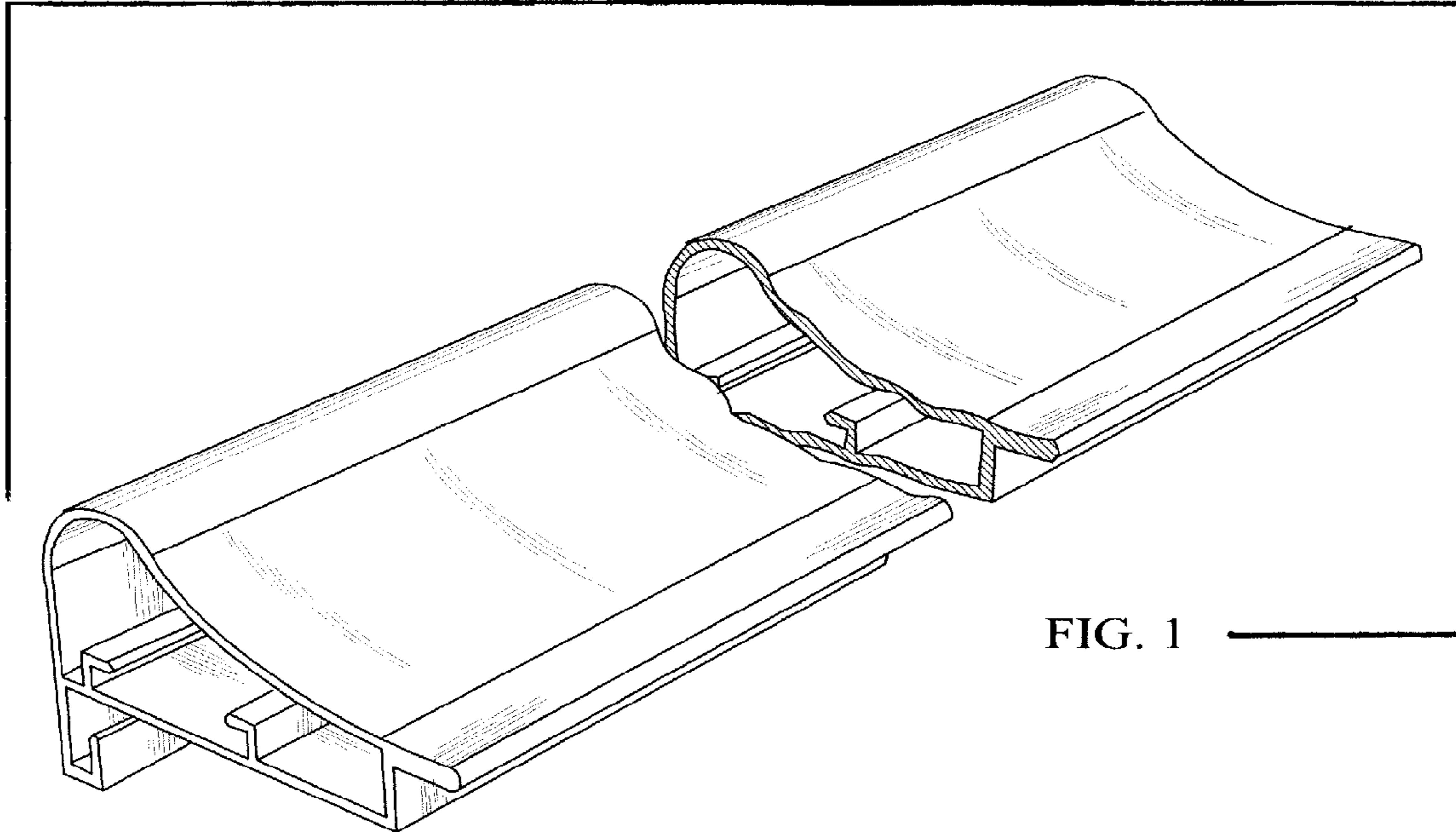


FIG. 1

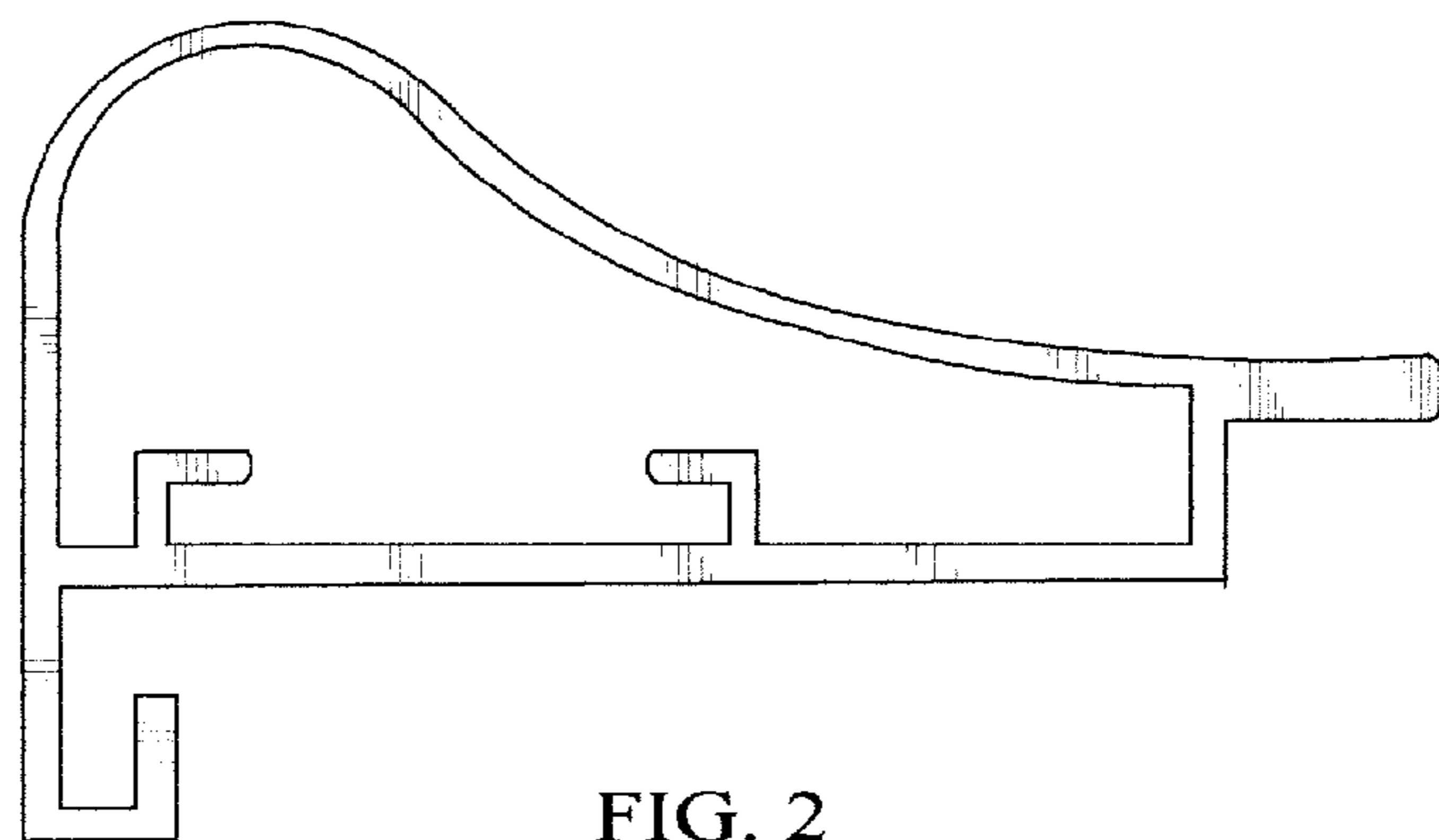


FIG. 2

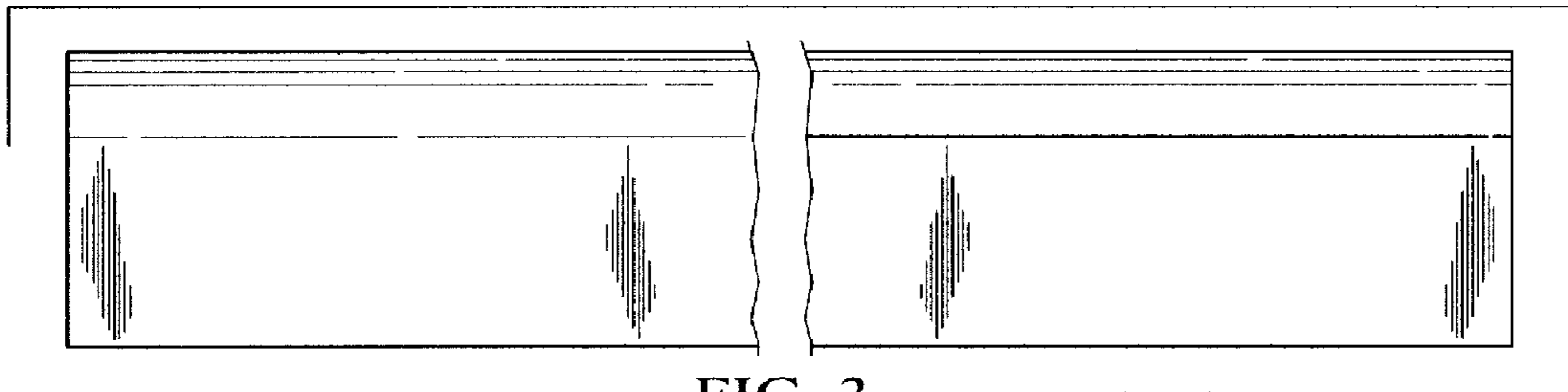


FIG. 3

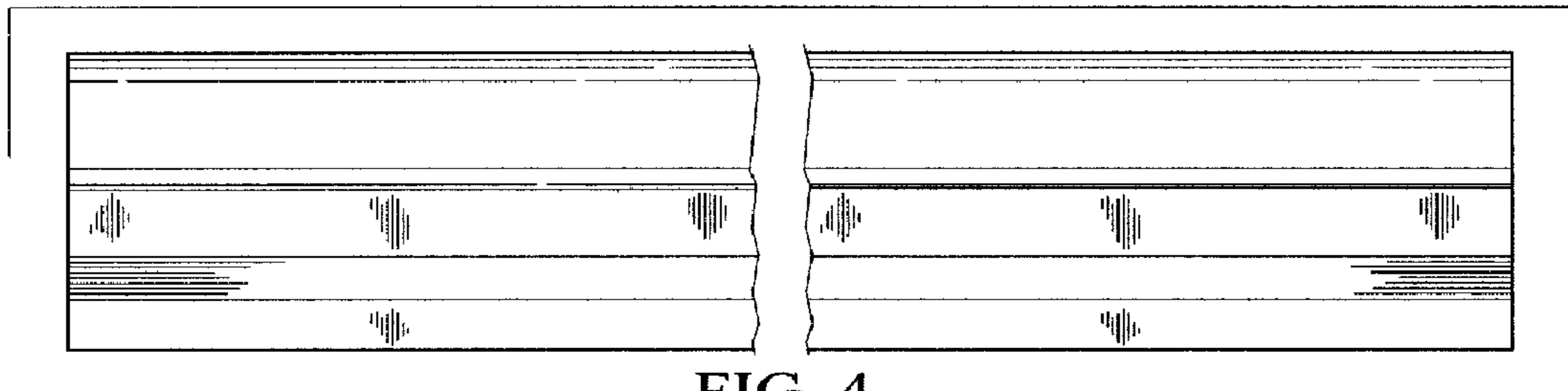


FIG. 4

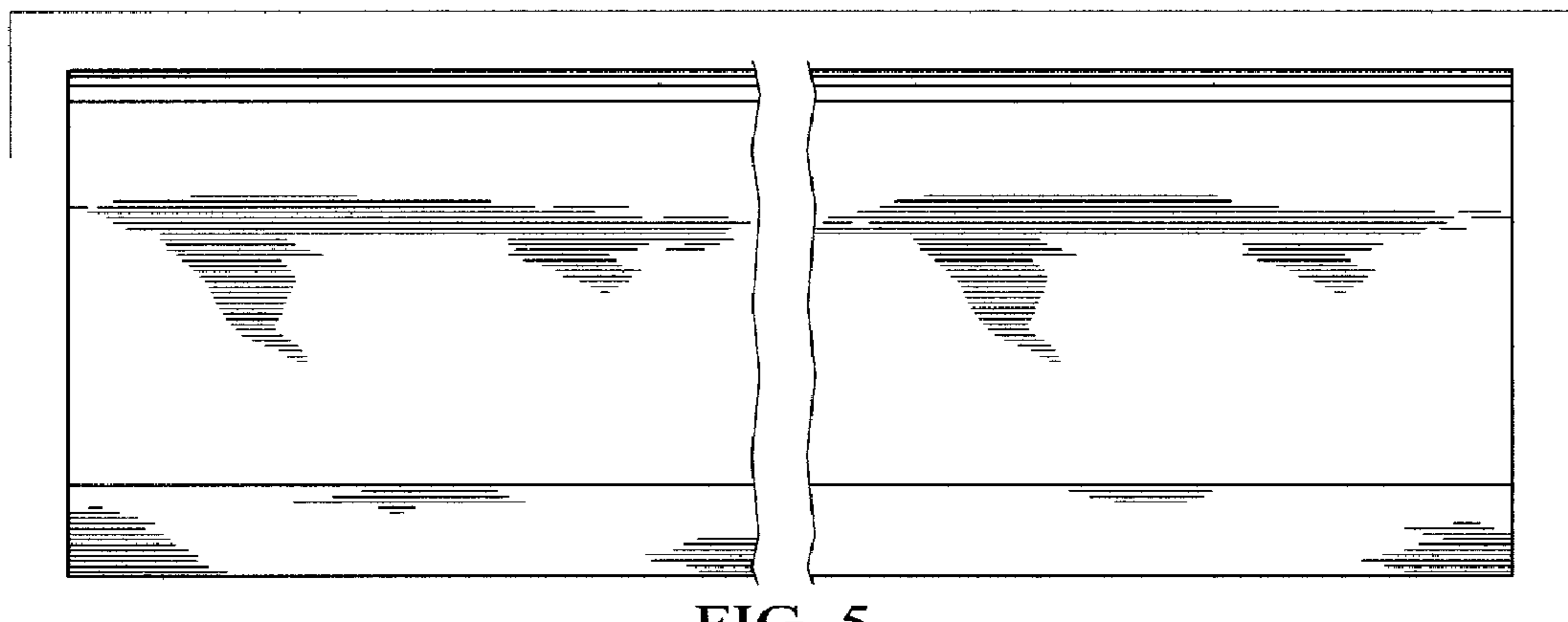


FIG. 5

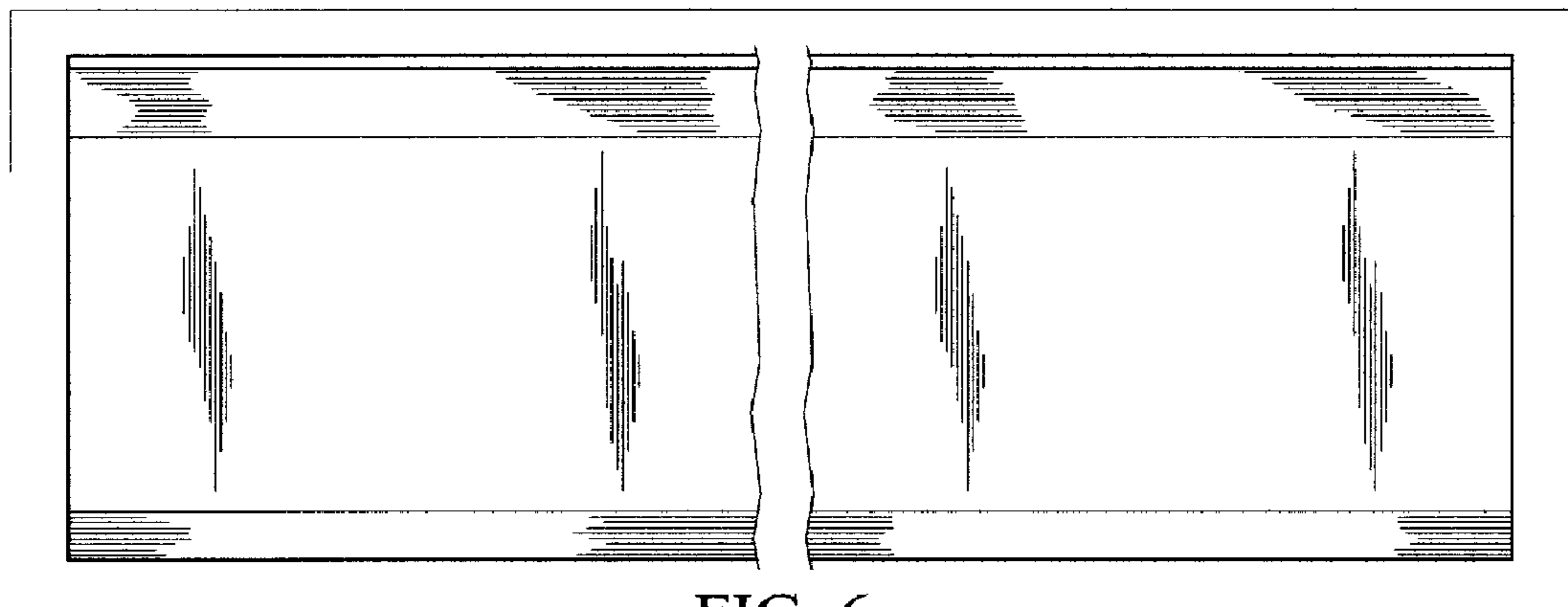


FIG. 6