



US00D597742S

(12) **United States Design Patent**  
**Skinner**

(10) **Patent No.:** **US D597,742 S**

(45) **Date of Patent:** **\*\* Aug. 11, 2009**

(54) **EXTRUSION FOR A PICTURE FRAME**

(76) **Inventor:** **Gary Raymond Skinner, 585**  
Mickleham Road, Greenvale, Victoria  
(AU) 3059

(\*\*) **Term:** **14 Years**

(21) **Appl. No.:** **29/295,985**

(22) **Filed:** **Oct. 11, 2007**

(30) **Foreign Application Priority Data**

May 1, 2007 (AU) ..... 17678/2007

(51) **LOC (9) Cl.** ..... **06-04**

(52) **U.S. Cl.** ..... **D6/300; D25/119**

(58) **Field of Classification Search** ..... D6/300,  
D6/491, 495, 509; D25/121, 136, 119, 124,  
D25/125, 52, 60; 52/716.1, 17.01, 716.8  
See application file for complete search history.

(56) **References Cited**

**U.S. PATENT DOCUMENTS**

- D103,487 S \* 3/1937 Bonnell ..... D25/119
- D110,435 S \* 7/1938 Lowry ..... D25/119
- D128,793 S \* 8/1941 Bonnell ..... D25/119
- D141,051 S \* 5/1945 Ketchum, Jr. .... D25/119
- D273,649 S \* 5/1984 Spamer ..... D6/509
- D473,662 S \* 4/2003 Shaw ..... D25/119

D549,996 S \* 9/2007 Guiles et al. .... D6/495

\* cited by examiner

*Primary Examiner*—Janice E. Seeger

*Assistant Examiner*—Sydney R Buffalow

(74) *Attorney, Agent, or Firm*—Edwin D. Schindler

(57) **CLAIM**

The ornamental design for an extrusion for a picture frame, as shown and described.

**DESCRIPTION**

FIG. 1 is a perspective view of an extrusion for a picture frame showing the present design;

FIG. 2 is an enlarged, left-side end view of the extrusion for a picture frame of FIG. 1, the right-side end view being a mirror image thereof;

FIG. 3 is a front view of the extrusion for a picture frame of FIG. 1;

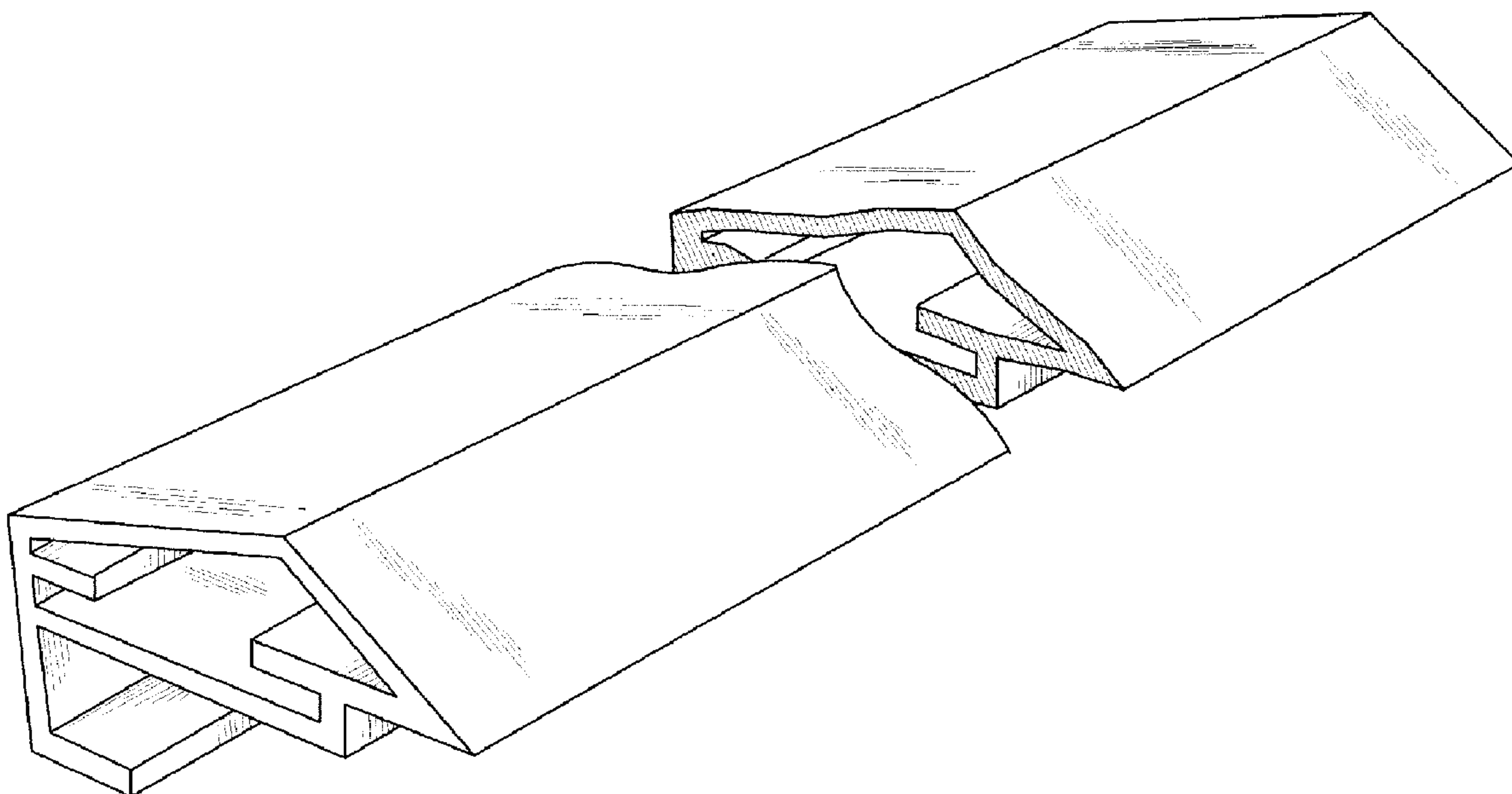
FIG. 4 is a rear view of the extrusion for a picture frame of FIG. 1;

FIG. 5 is a plan view of the extrusion of a picture frame of FIG. 1; and,

FIG. 6 is a bottom view of the extrusion of a picture frame of FIG. 1.

The views are shown broken away to indicate and indeterminate length.

**1 Claim, 2 Drawing Sheets**



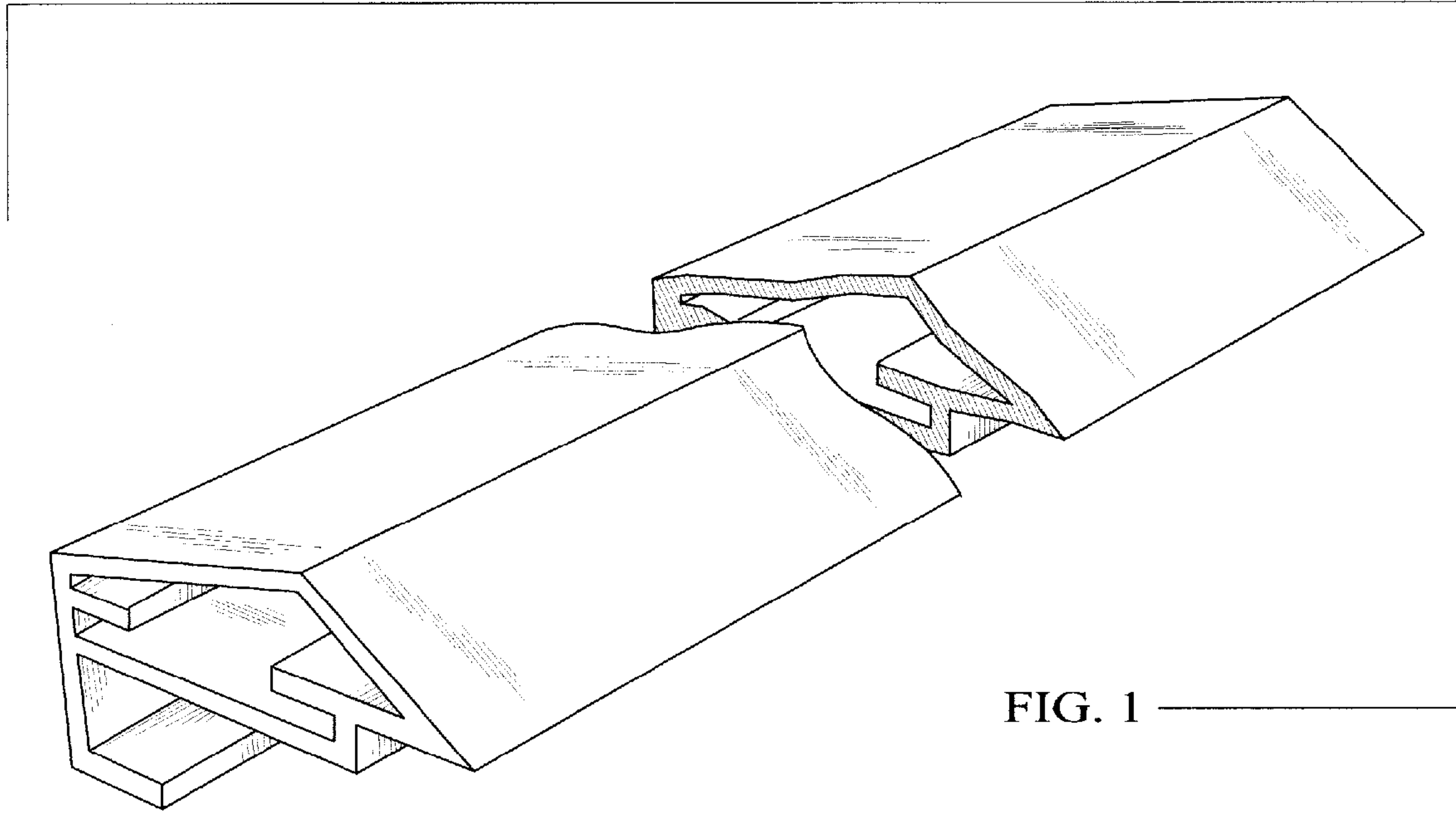


FIG. 1

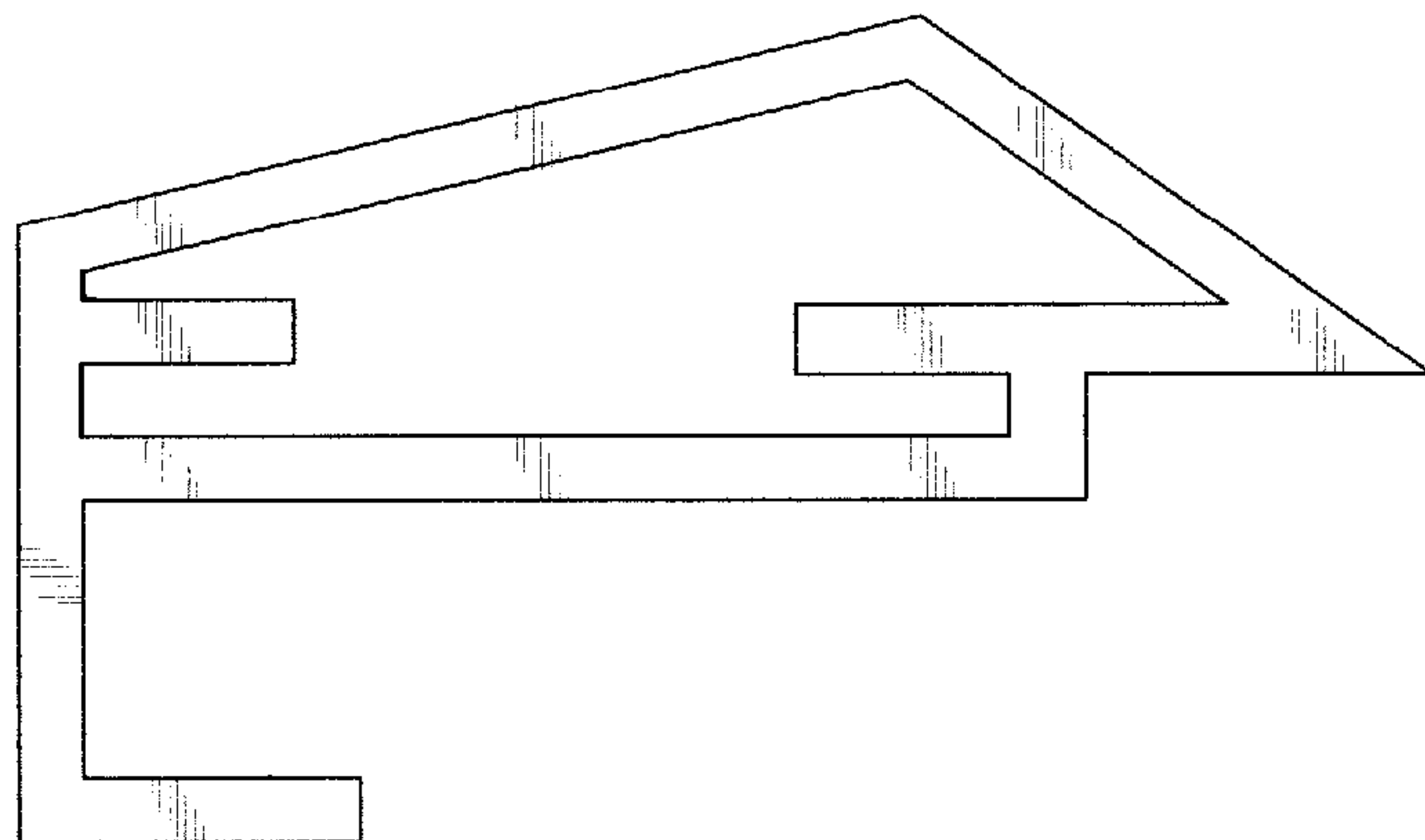


FIG. 2

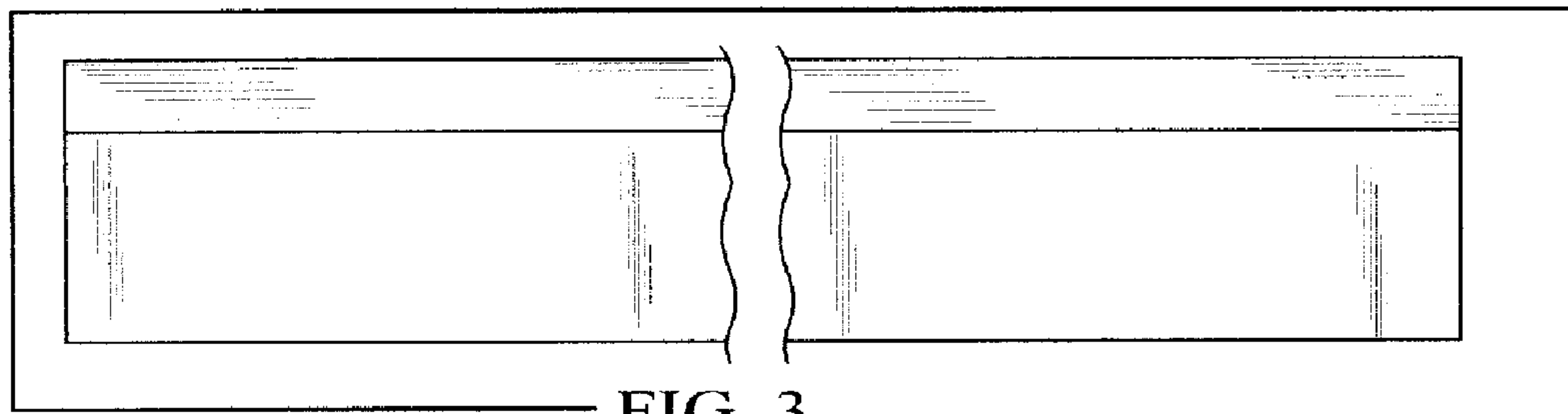


FIG. 3

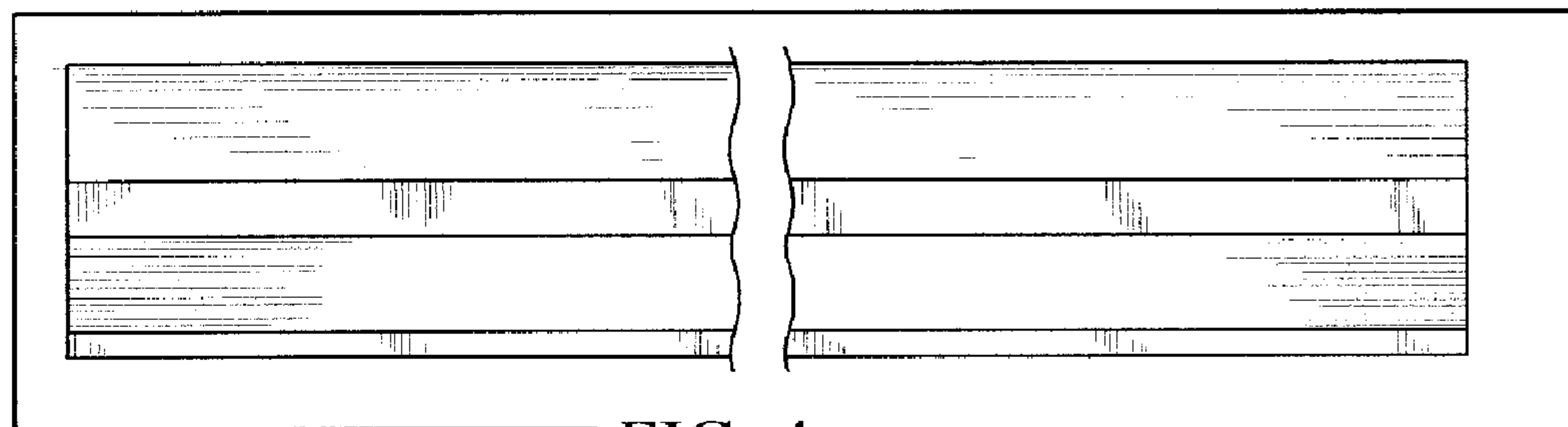


FIG. 4

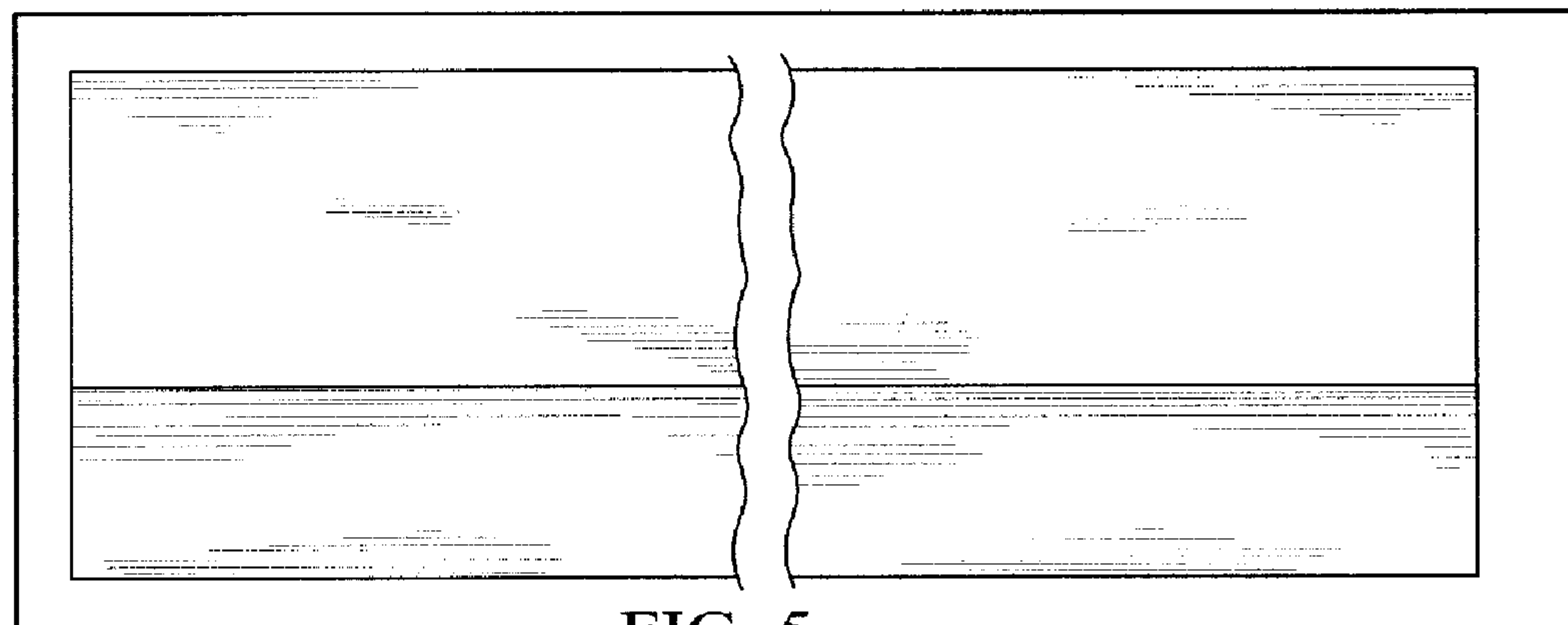


FIG. 5

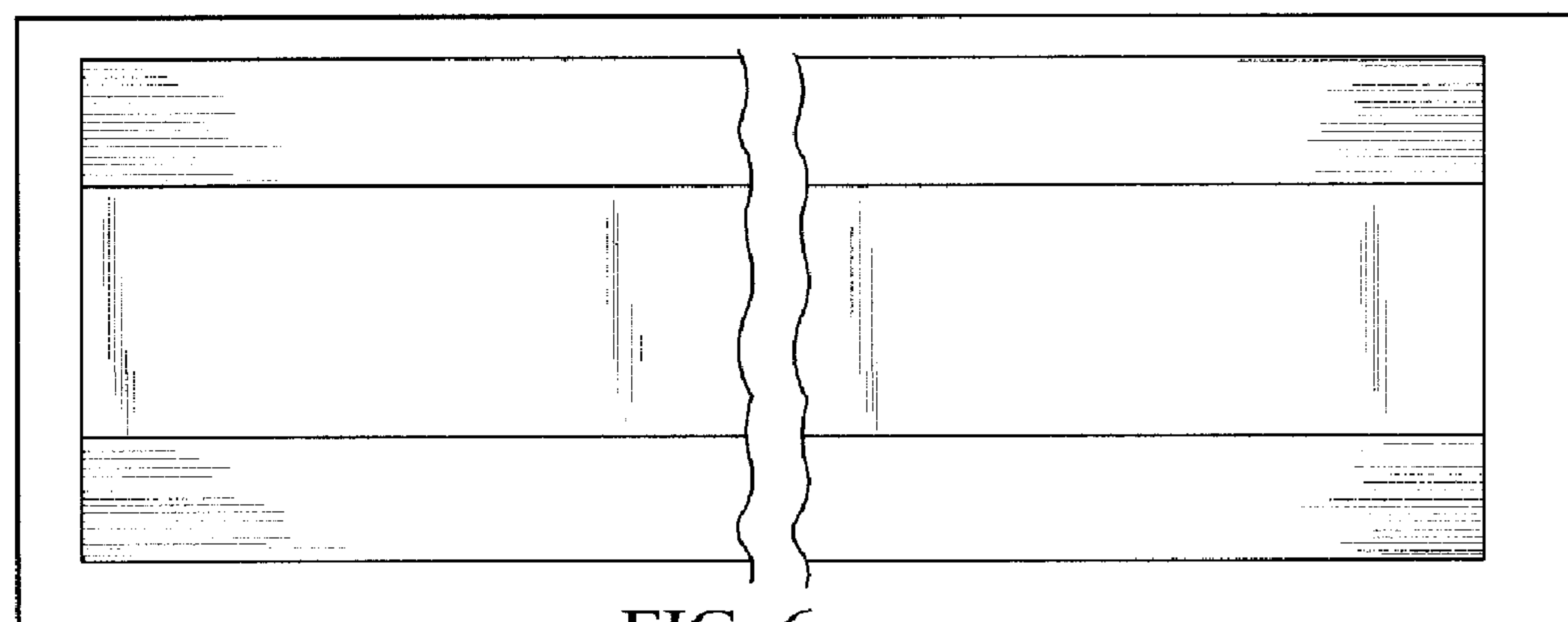


FIG. 6