



US00D597740S

(12) **United States Design Patent**
Borovicka et al.

(10) **Patent No.:** **US D597,740 S**
(45) **Date of Patent:** **** Aug. 11, 2009**

(54) **GRILL BRUSH HANDLE**

(75) Inventors: **Cory Thomas Borovicka**, San Francisco, CA (US); **Charles Adams**, Berkeley, CA (US)

(73) Assignee: **Charcoal Companion, Incorporated**, Emeryville, CA (US)

(**) Term: **14 Years**

(21) Appl. No.: **29/288,333**

(22) Filed: **Jun. 7, 2007**

Related U.S. Application Data

(63) Continuation-in-part of application No. 29/268,287, filed on Nov. 2, 2006, now Pat. No. Des. 547,553.

(51) **LOC (9) Cl.** **04-01**

(52) **U.S. Cl.** **D4/138**

(58) **Field of Classification Search** D4/116, D4/118, 129, 132, 134, 138; D7/393; D8/300, D8/310; D28/63; D32/42, 48, 49, 51, 52; 15/111, 143.1, 159.1, 160, 236.01, 236.07, 15/236.08, 229.13, 244.1; 16/414, 417, 426, 16/433, 441; 292/347

See application file for complete search history.

(56) **References Cited**

U.S. PATENT DOCUMENTS

D138,896 S * 9/1944 Edmonds D4/135
D189,235 S * 11/1960 Racina D4/134

4,232,420 A * 11/1980 Schuster et al. 15/229.13
5,373,600 A * 12/1994 Stojanovski et al. 15/111
D362,937 S * 10/1995 Camp et al. D32/48
D378,325 S * 3/1997 Camp, Jr. D4/138
D381,483 S * 7/1997 Hartman D32/48
6,216,306 B1 * 4/2001 Esterson et al. 15/111
6,443,646 B1 * 9/2002 MacDonald 401/39
D502,001 S * 2/2005 Hay D4/118

* cited by examiner

Primary Examiner—Melanie H Tung

Assistant Examiner—Lavone D Tabor

(74) *Attorney, Agent, or Firm*—Beeson Skinner Beverly, LLP; Donald L. Beeson

(57) **CLAIM**

The ornamental design for a grill brush handle, as shown and described.

DESCRIPTION

FIG. 1 is a top perspective view of a grill brush handle showing our new design;

FIG. 2 is a front elevational view thereof;

FIG. 3 is a rear elevational view;

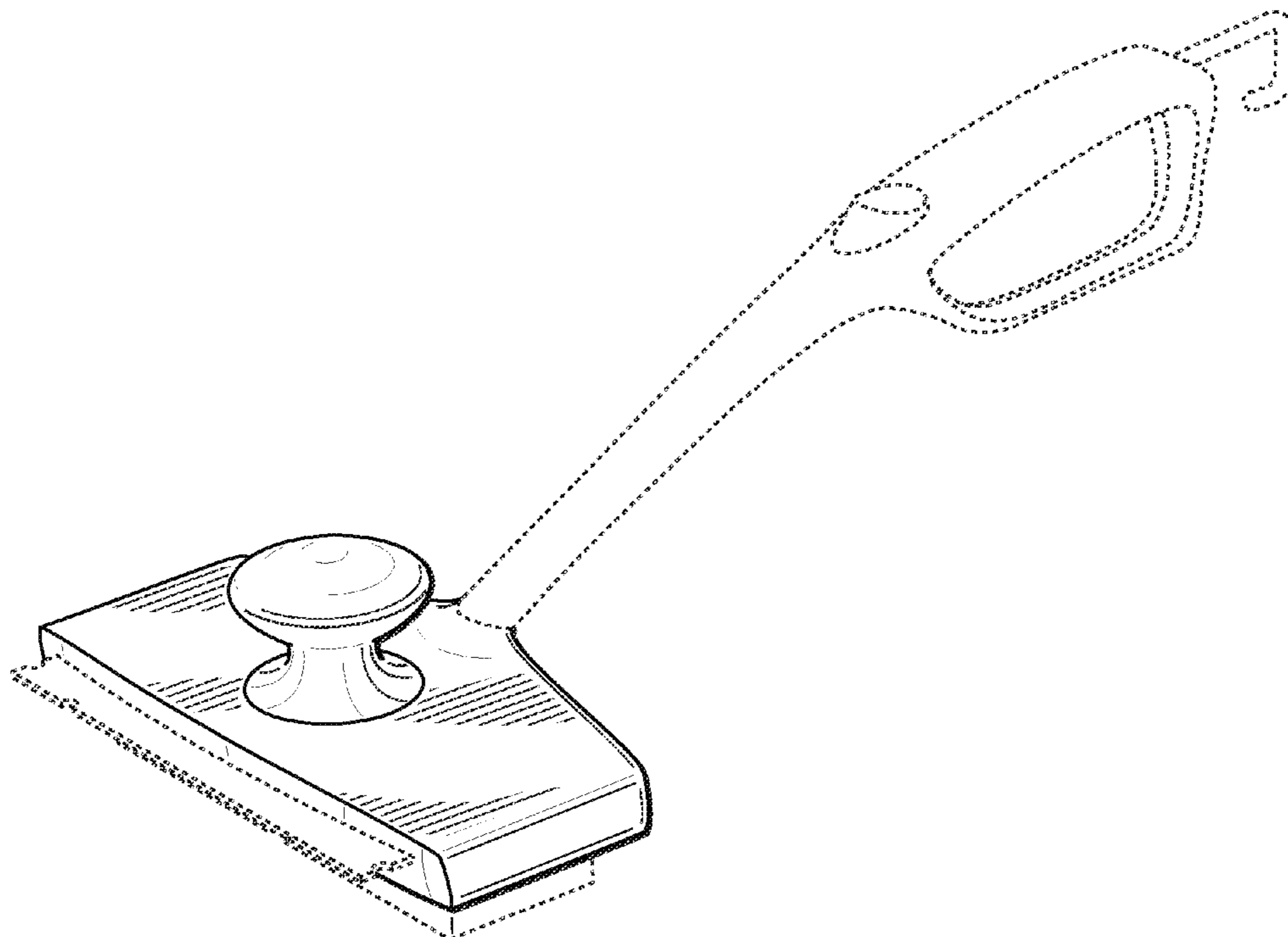
FIG. 4 is a left side elevational view thereof, the right side being a mirror image;

FIG. 5 is a top plan view thereof; and,

FIG. 6 is a bottom plan view thereof.

The broken lines shown in FIGS. 1–6 are for illustrative purposes only and form no part of our claimed design.

1 Claim, 5 Drawing Sheets



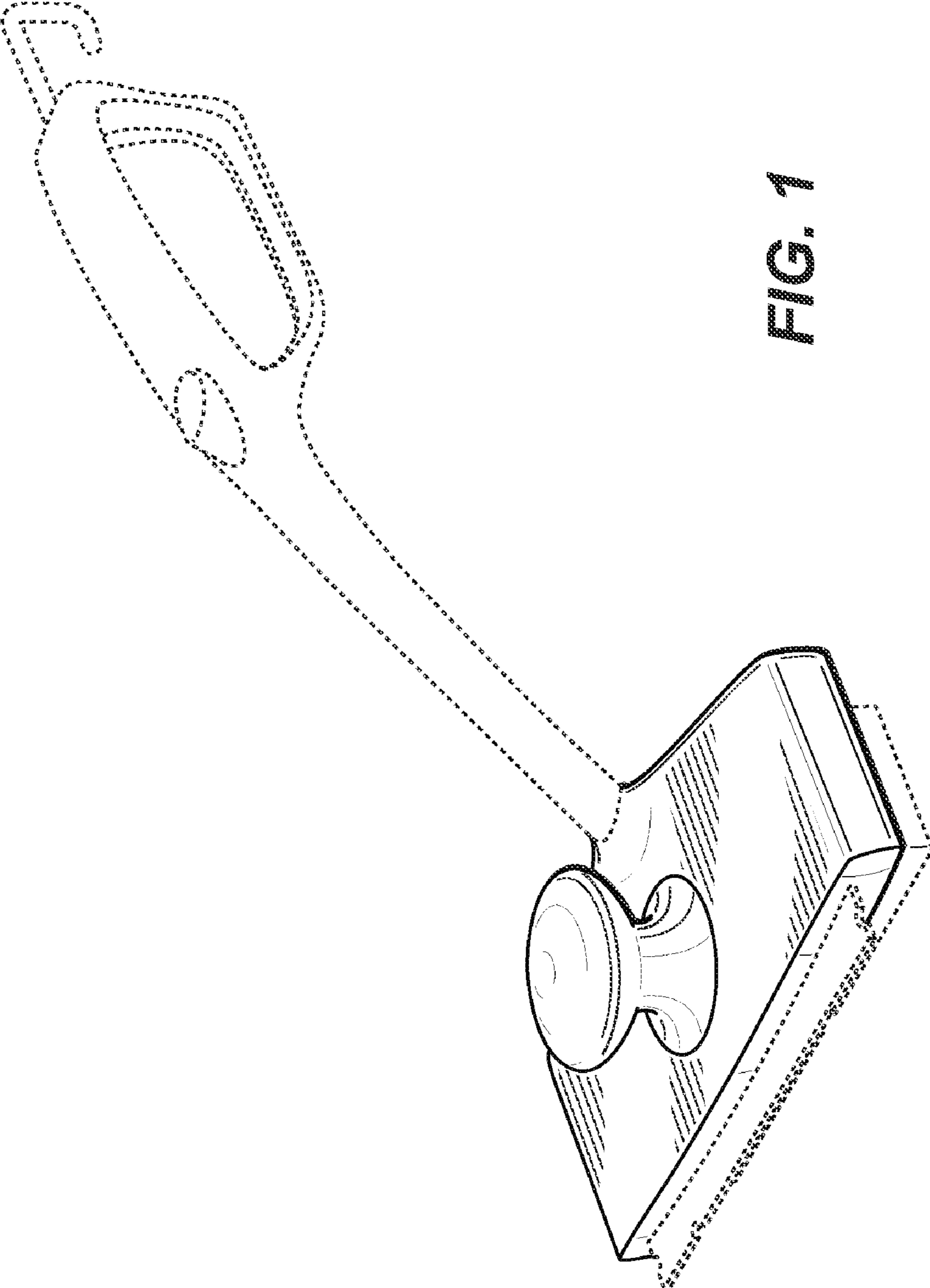


FIG. 1

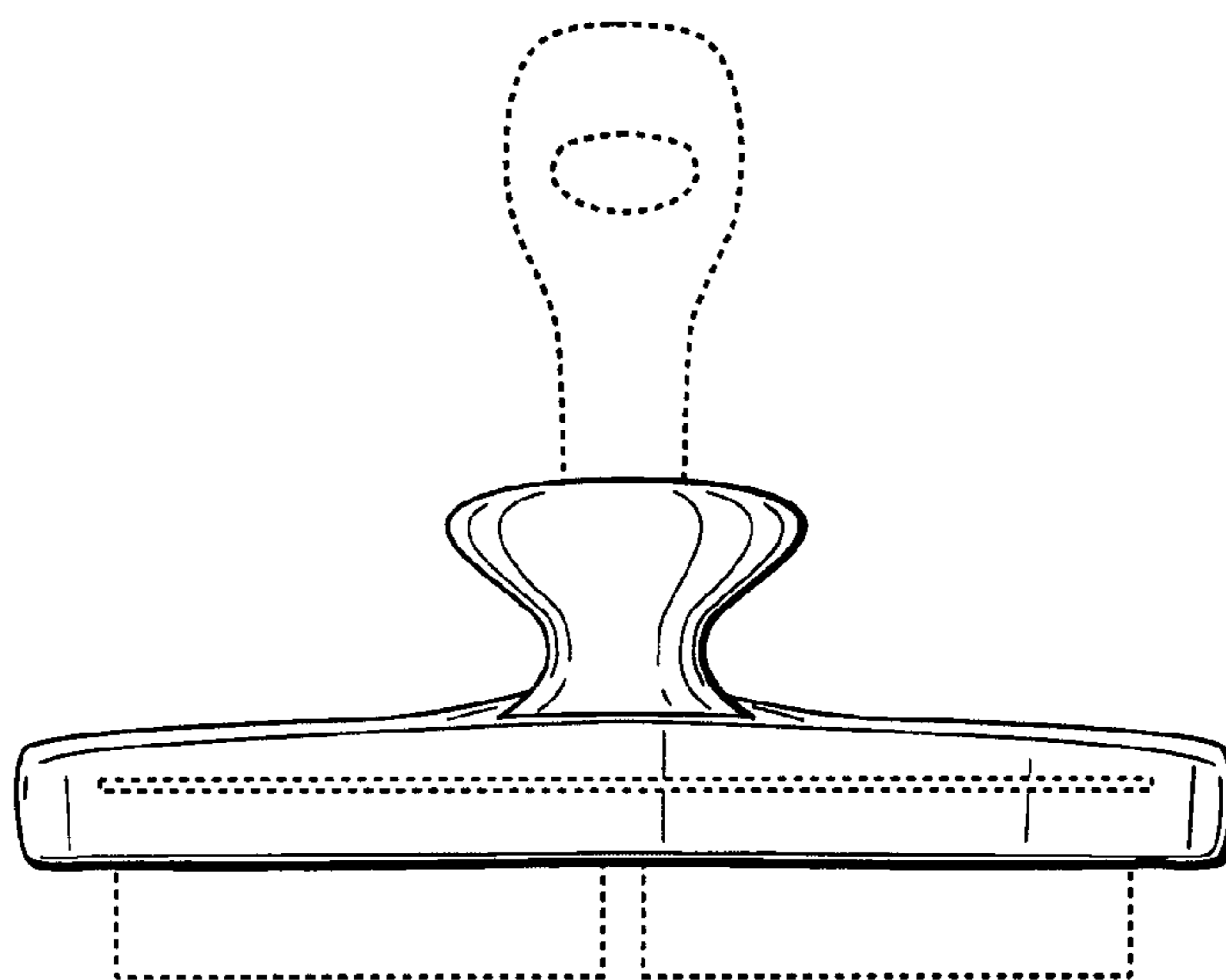


FIG. 2

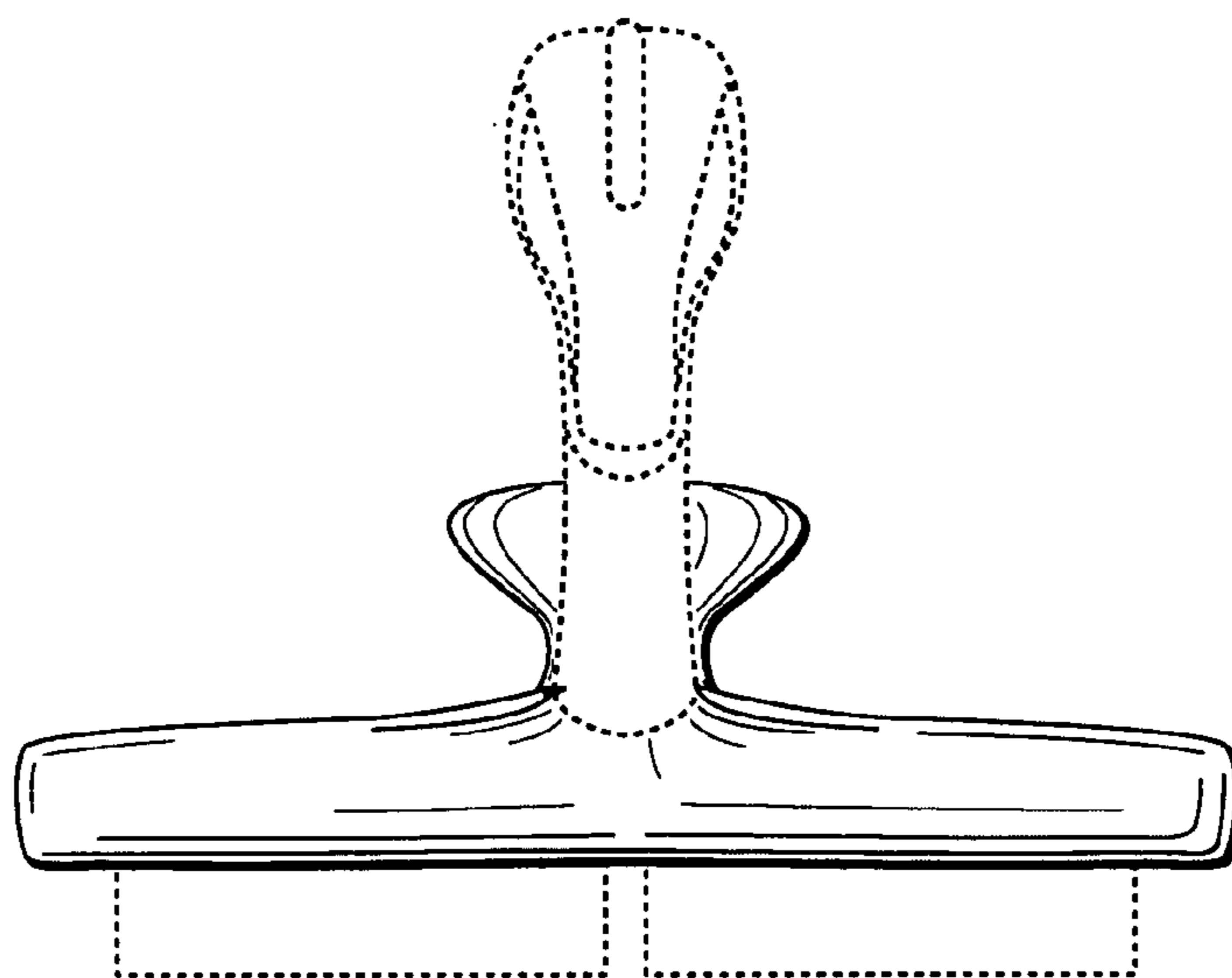


FIG. 3

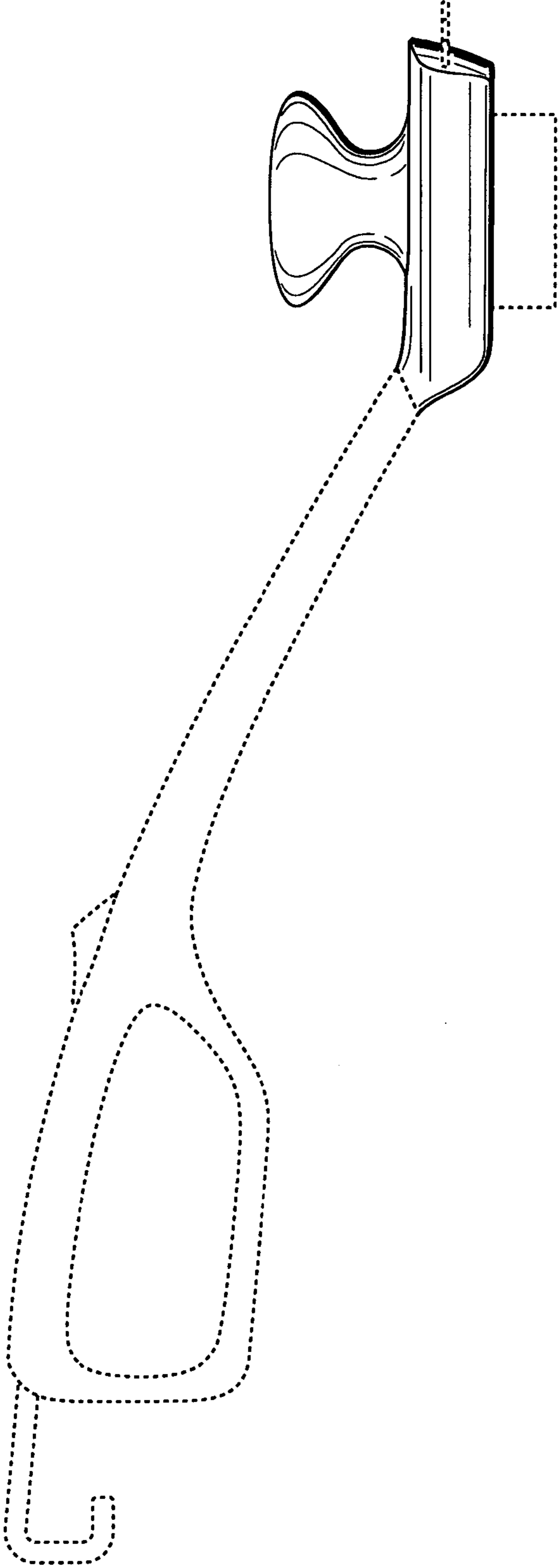


FIG. 4

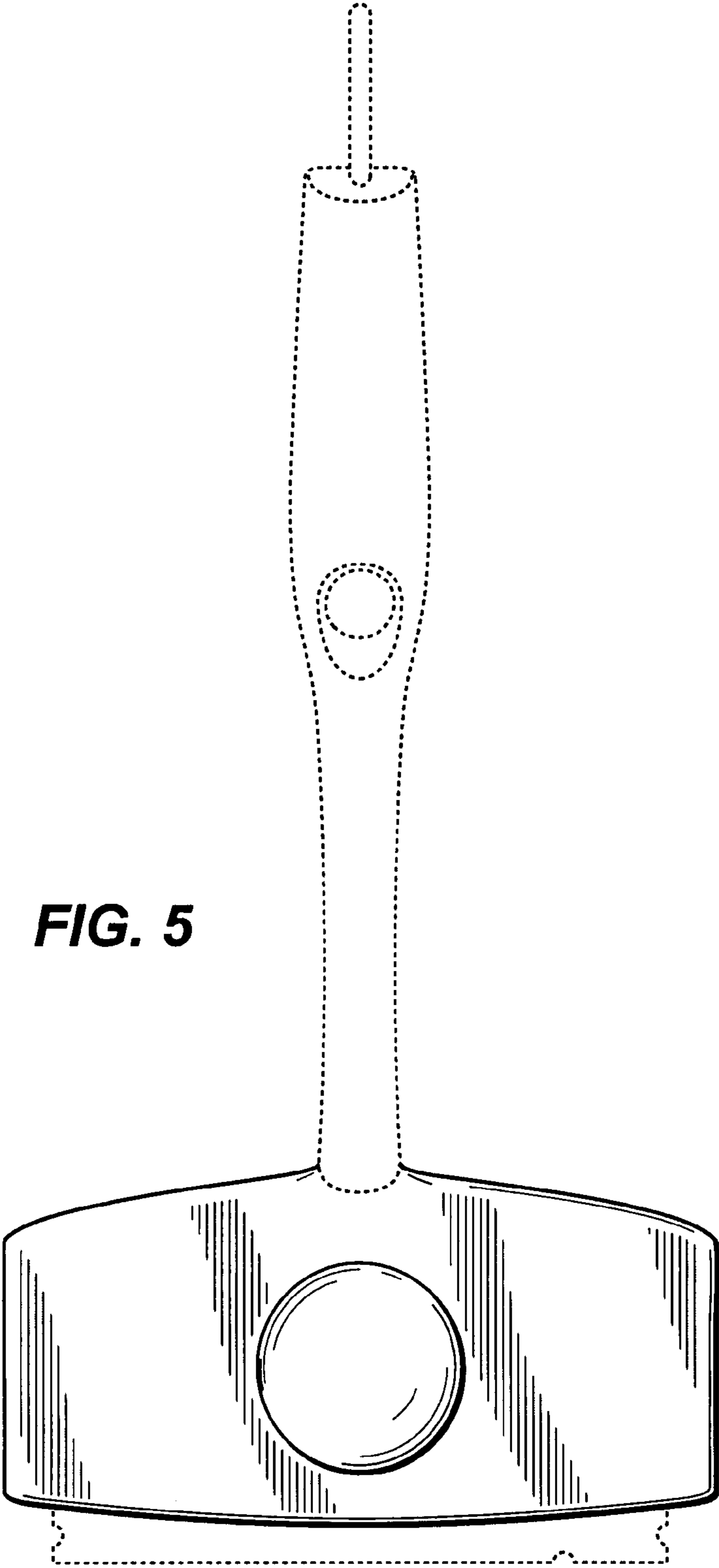


FIG. 5

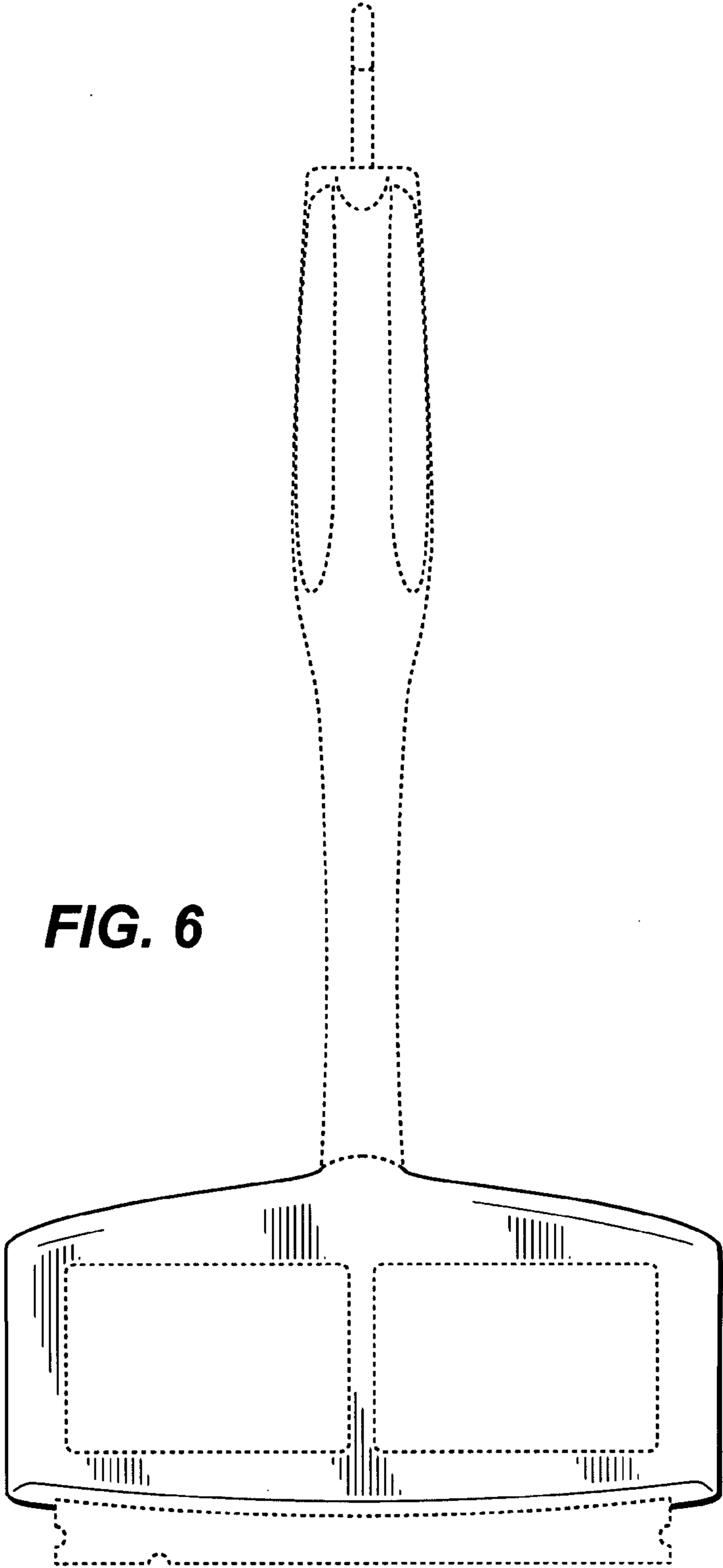


FIG. 6