



US00D597734S

(12) **United States Design Patent**
Beckett

(10) **Patent No.:** **US D597,734 S**

(45) **Date of Patent:** **** Aug. 11, 2009**

(54) **BOOT GLOVE**

(76) **Inventor:** **Joel Beckett**, P.O. Box 1102, Mercer Island, WA (US) 98040

(**) **Term:** **14 Years**

(21) **Appl. No.:** **29/332,259**

(22) **Filed:** **Feb. 11, 2009**

(51) **LOC (9) Cl.** **02-04**

(52) **U.S. Cl.** **D2/909**

(58) **Field of Classification Search** D2/896,
D2/909-911, 914, 946, 969; D24/190-192,
D24/189; 36/73, 112-114, 83, 87, 45, 2 R,
36/7.1 R, 7.2-7.4, 72 R, 77 R; 602/60, 61,
602/67, 30, 11

See application file for complete search history.

(56) **References Cited**

U.S. PATENT DOCUMENTS

3,319,362	A *	5/1967	Gomolka	36/72 R
3,487,830	A *	1/1970	Pruett	602/11
D219,136	S *	11/1970	Mace	D2/913
D339,422	S *	9/1993	Williams	D24/192
D377,860	S *	2/1997	Renault	D2/969

D425,289	S *	5/2000	Sheppard et al.	D2/913
D450,175	S *	11/2001	Lofley et al.	D2/909
D454,395	S *	3/2002	Stephens	D24/192

* cited by examiner

Primary Examiner—Stella M Reid

Assistant Examiner—Rashida C McCoy

(74) *Attorney, Agent, or Firm*—Dean A. Craine

(57) **CLAIM**

The ornamental design for a boot glove, as shown and described.

DESCRIPTION

FIG. 1 is a perspective view of the boot glove, showing my new design.

FIG. 2 is a right side elevational view of the boot glove.

FIG. 3 is a left side elevational view of the boot glove.

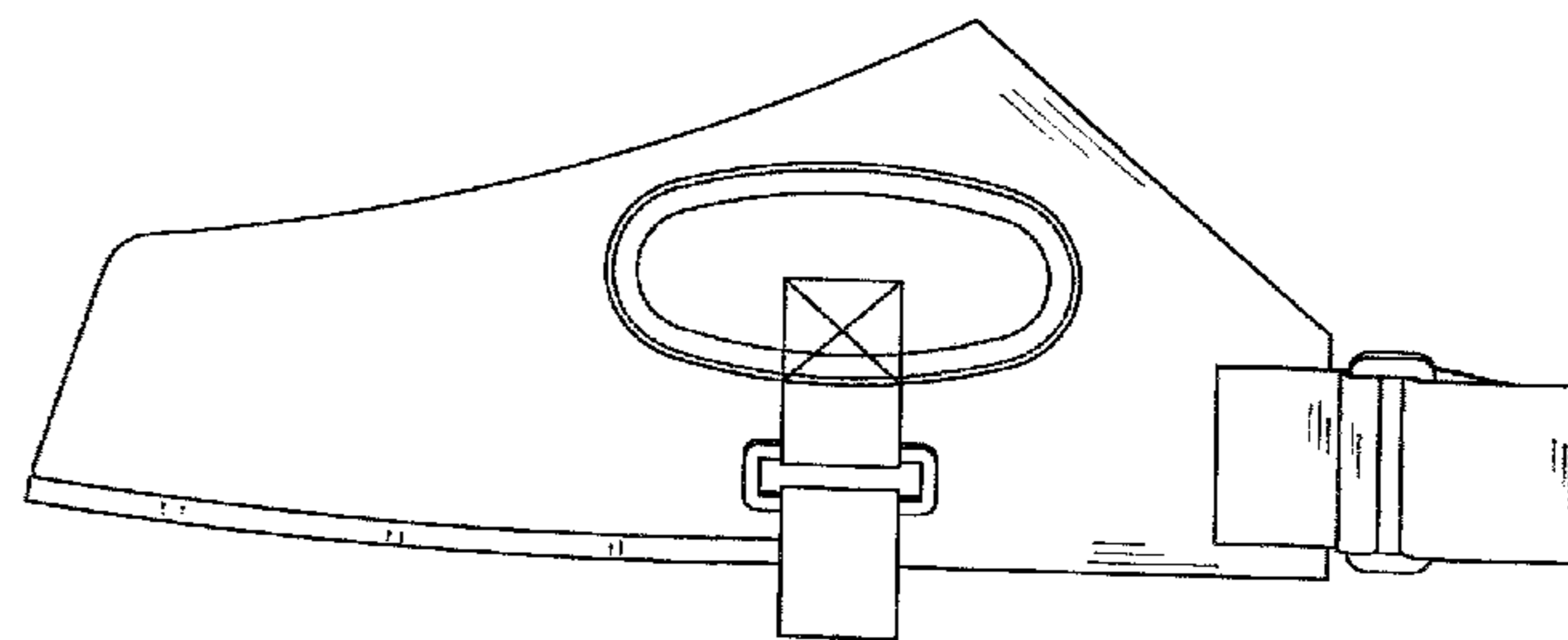
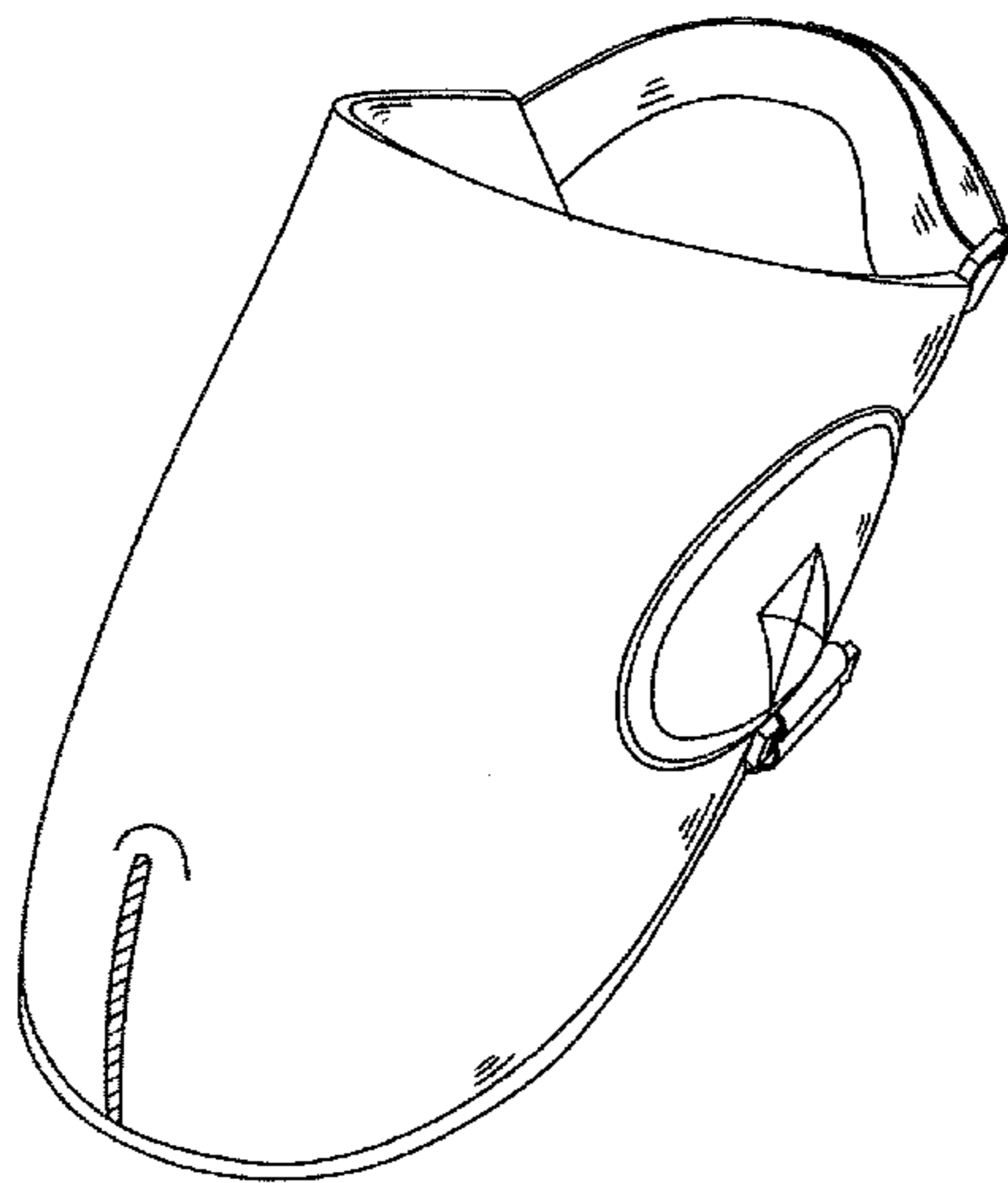
FIG. 4 is a top plan view of the boot glove.

FIG. 5 is a bottom plan view of the boot glove.

FIG. 6 is a front elevational view of the boot glove; and,

FIG. 7 is a rear elevational view of the boot glove.

1 Claim, 3 Drawing Sheets



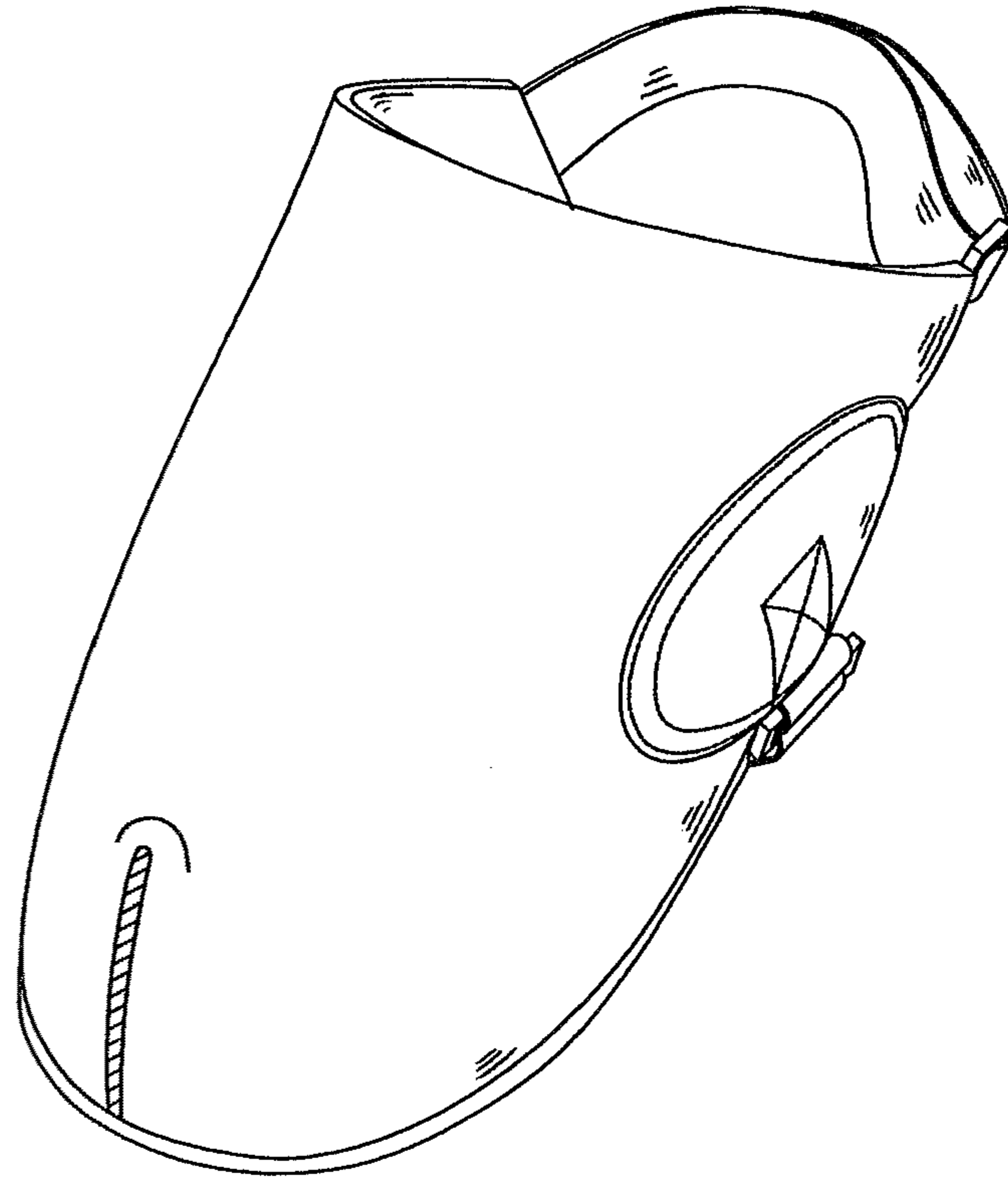


Fig. 1

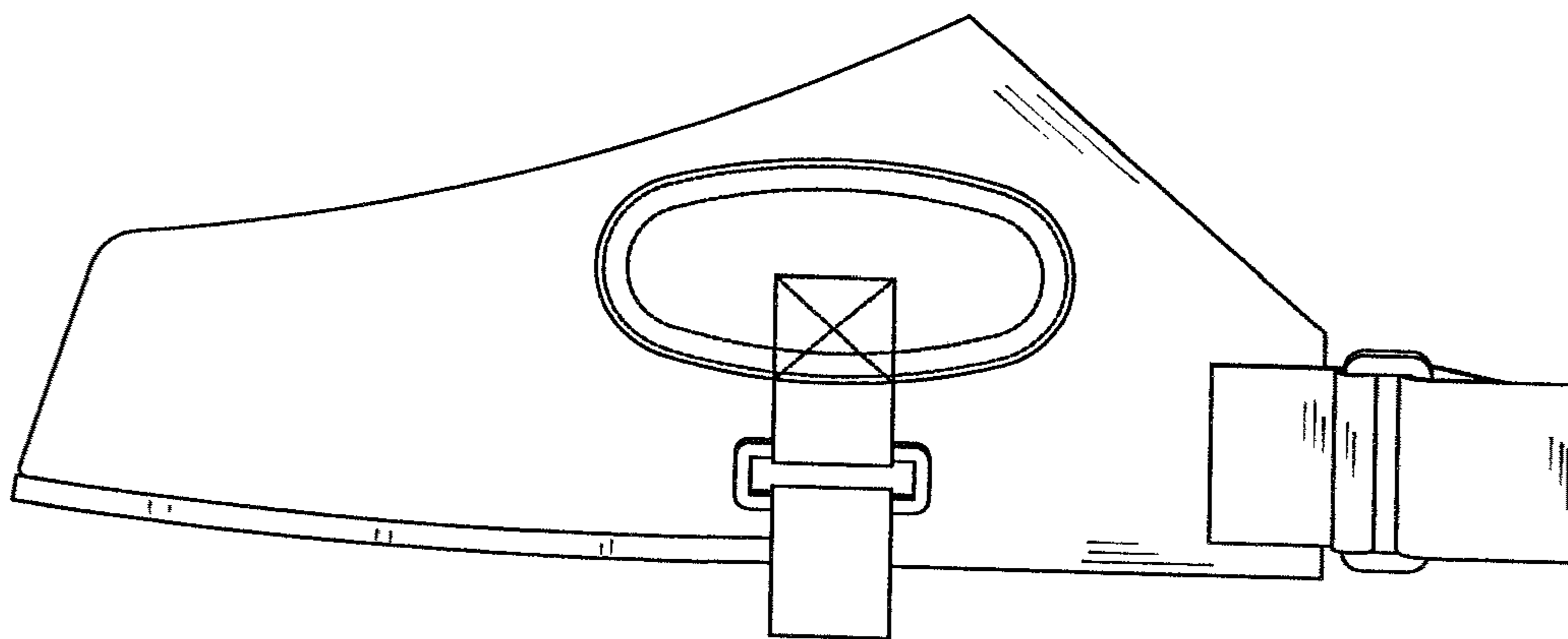


Fig. 2

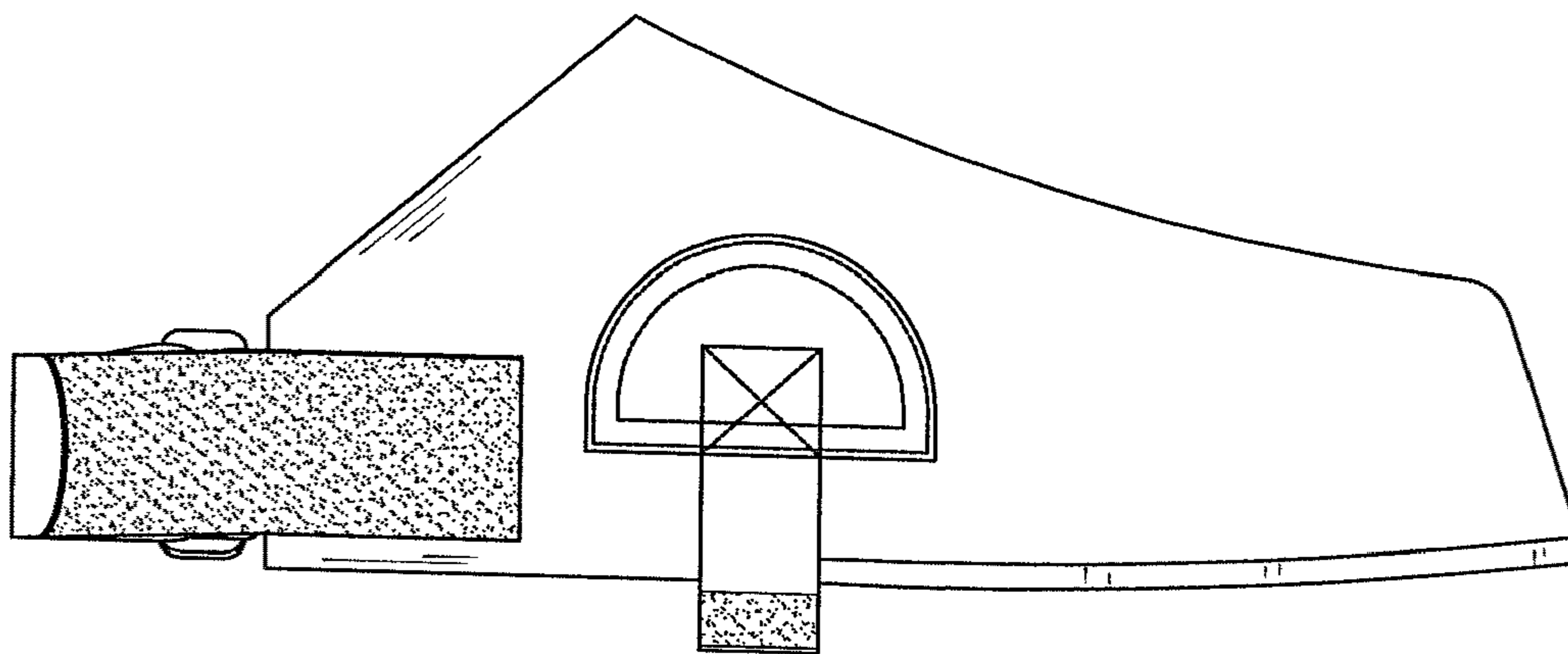


Fig. 3

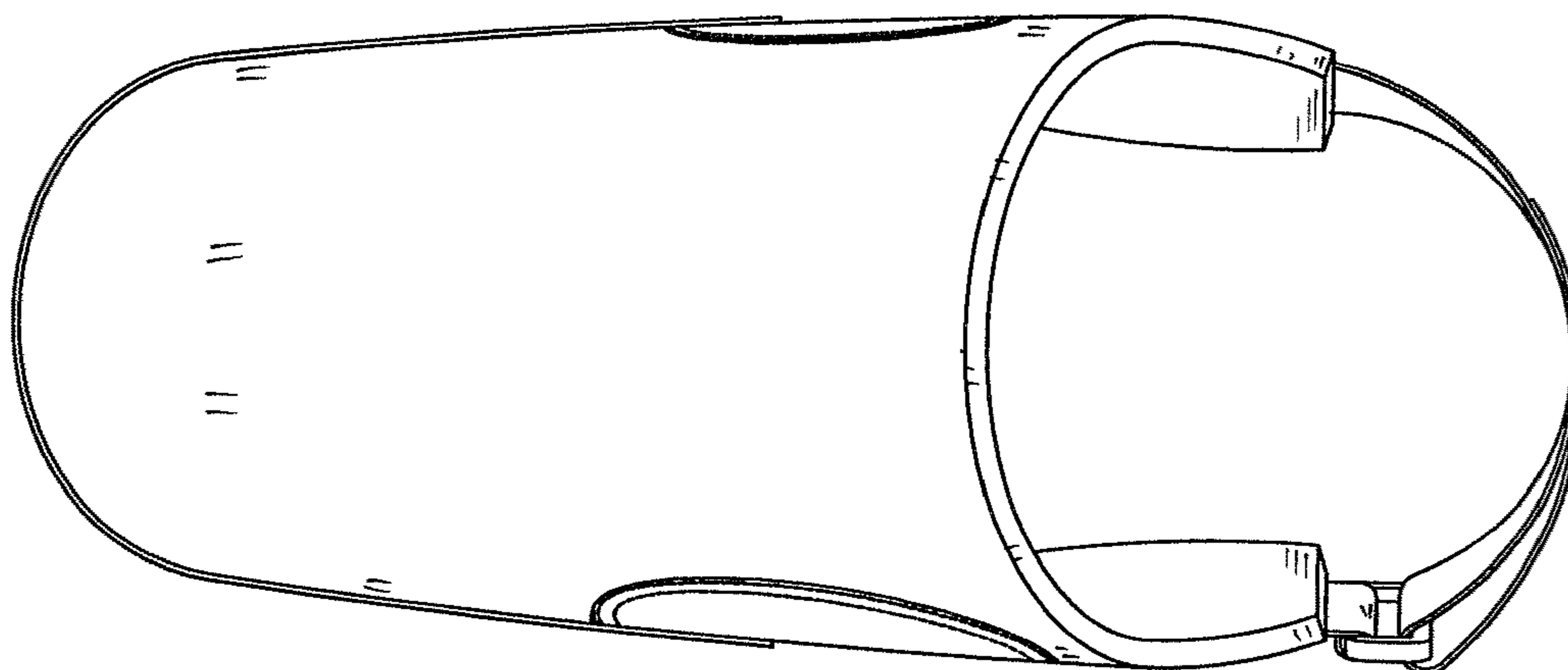


Fig. 4

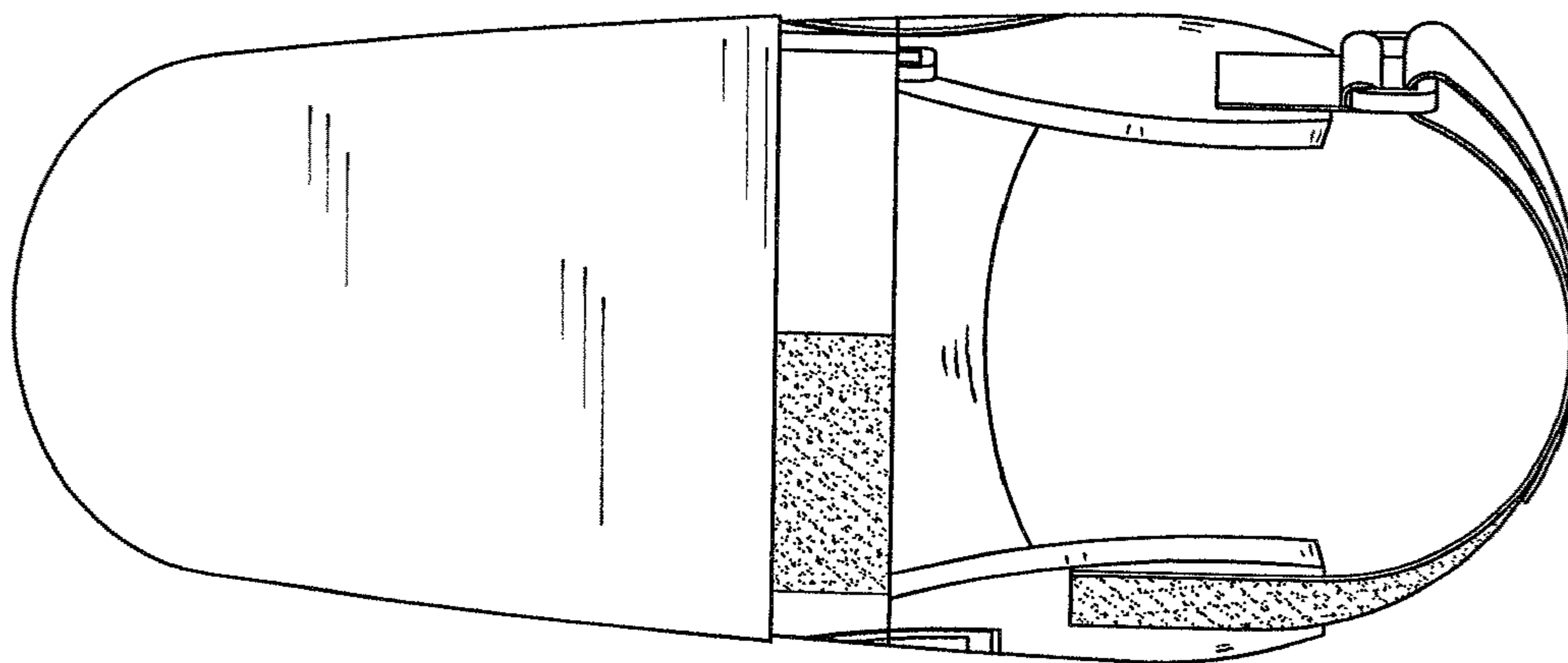


Fig. 5

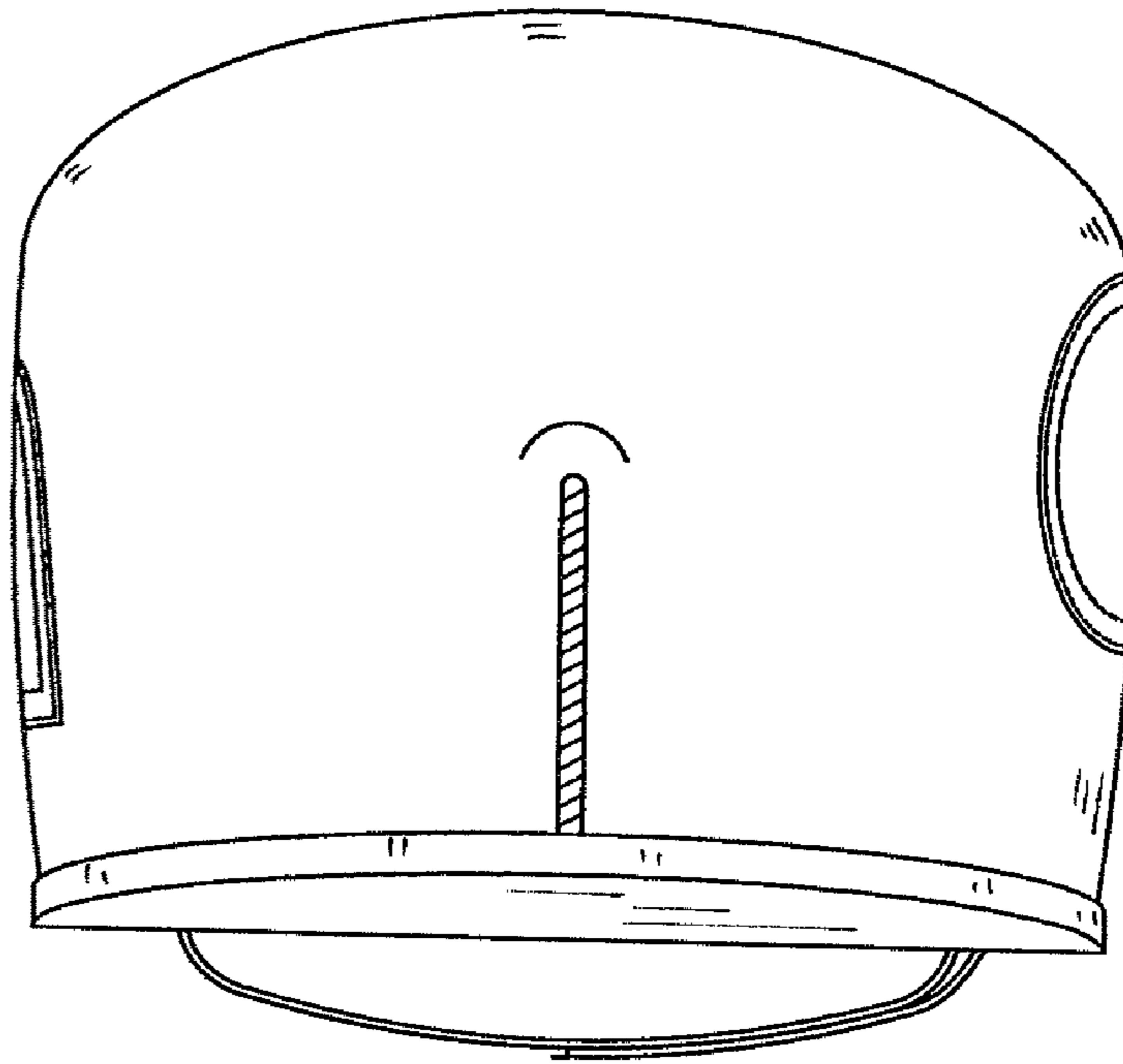


Fig. 6

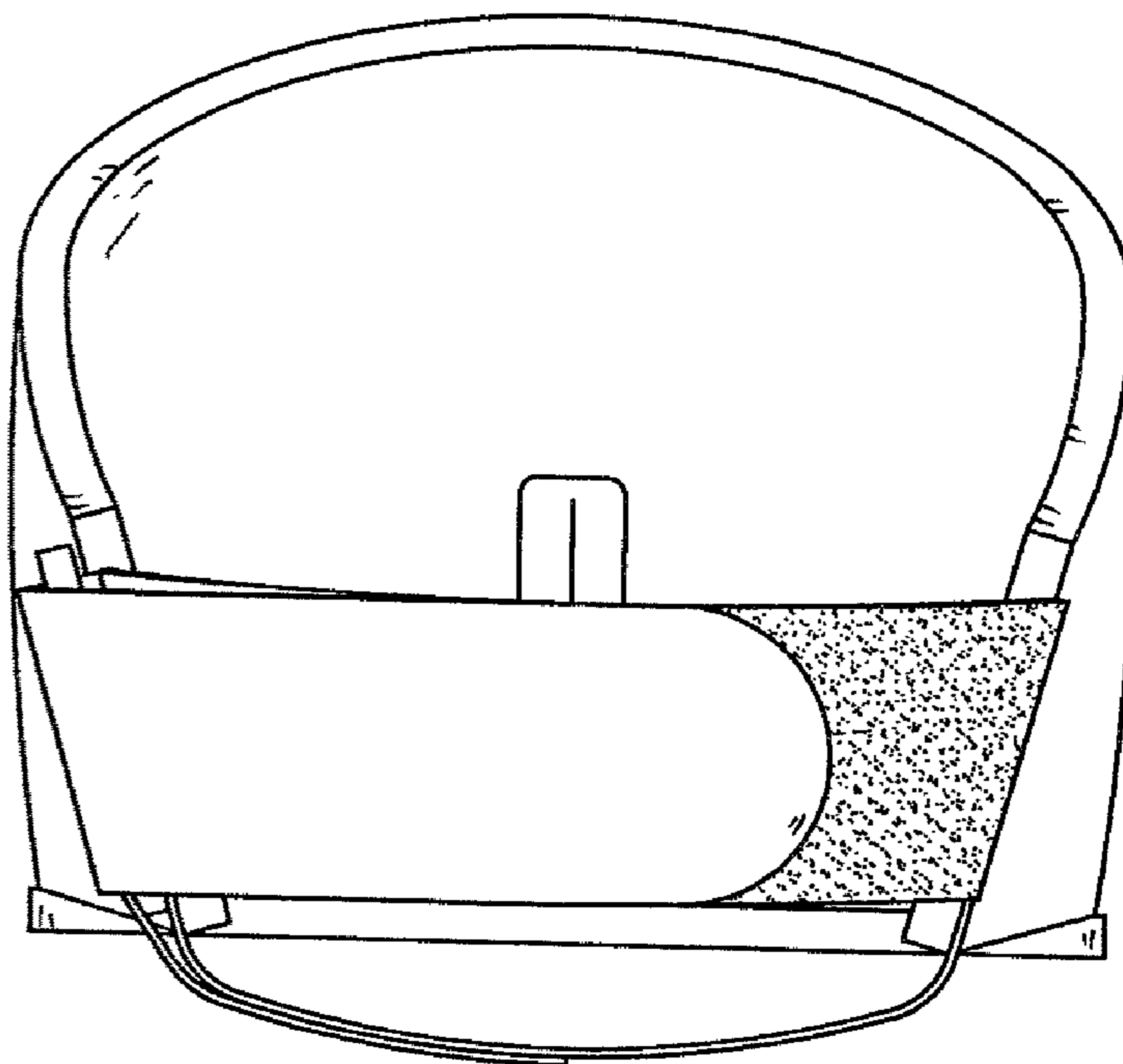


Fig. 7