



US00D597724S

(12) **United States Design Patent**
Rumreich

(10) **Patent No.:** **US D597,724 S**

(45) **Date of Patent:** **** Aug. 4, 2009**

(54) **PORTABLE WINCH DEVICE**

(76) **Inventor:** **Randy J. Rumreich**, 20700 Poppy St.
North West, Oak Grove, MN (US) 55303

(**) **Term:** **14 Years**

(21) **Appl. No.:** **29/330,911**

(22) **Filed:** **Jan. 15, 2009**

(51) **LOC (9) Cl.** **12-05**

(52) **U.S. Cl.** **D34/33**

(58) **Field of Classification Search** D34/28,
D34/33, 35; 414/496, 550, 563, 543, 569;
452/187, 189; 254/325, 266

See application file for complete search history.

(56) **References Cited**

U.S. PATENT DOCUMENTS

3,044,643	A	7/1962	Shaw	
3,804,263	A	4/1974	Castonguay	
4,381,069	A	4/1983	Kreck	
4,399,979	A *	8/1983	Adelman	254/338
4,703,917	A *	11/1987	Tomlinson	254/369
D298,078	S *	10/1988	Stoker	D34/33
4,782,962	A	11/1988	Hackworth et al.	
D300,077	S *	2/1989	Lichtenvort et al.	D34/35
4,806,063	A	2/1989	York	
D306,415	S	3/1990	Godbersen	
4,971,237	A	11/1990	Davis	

5,205,700	A *	4/1993	Lin et al.	414/540
5,211,526	A *	5/1993	Robinette	414/550
D347,721	S *	6/1994	Carter, Jr.	D34/33
5,520,498	A *	5/1996	DiBartolomeo	414/680
5,540,537	A	7/1996	Welch	
5,791,858	A *	8/1998	Sasser	414/462
D407,883	S *	4/1999	Okerlund et al.	D34/33
5,971,177	A	10/1999	Carter	
D424,270	S *	5/2000	Barrass et al.	D34/33
D429,051	S *	8/2000	Porter	D34/33
6,981,834	B1 *	1/2006	Henry	414/462
2004/0040925	A1	3/2004	Miller	

* cited by examiner

Primary Examiner—Cynthia E Ramirez

(57) **CLAIM**

The ornamental design for a portable winch device, as shown.

DESCRIPTION

FIG. 1 is a perspective view of a portable winch device;

FIG. 2 is a side view thereof;

FIG. 3 is an opposite side view thereof;

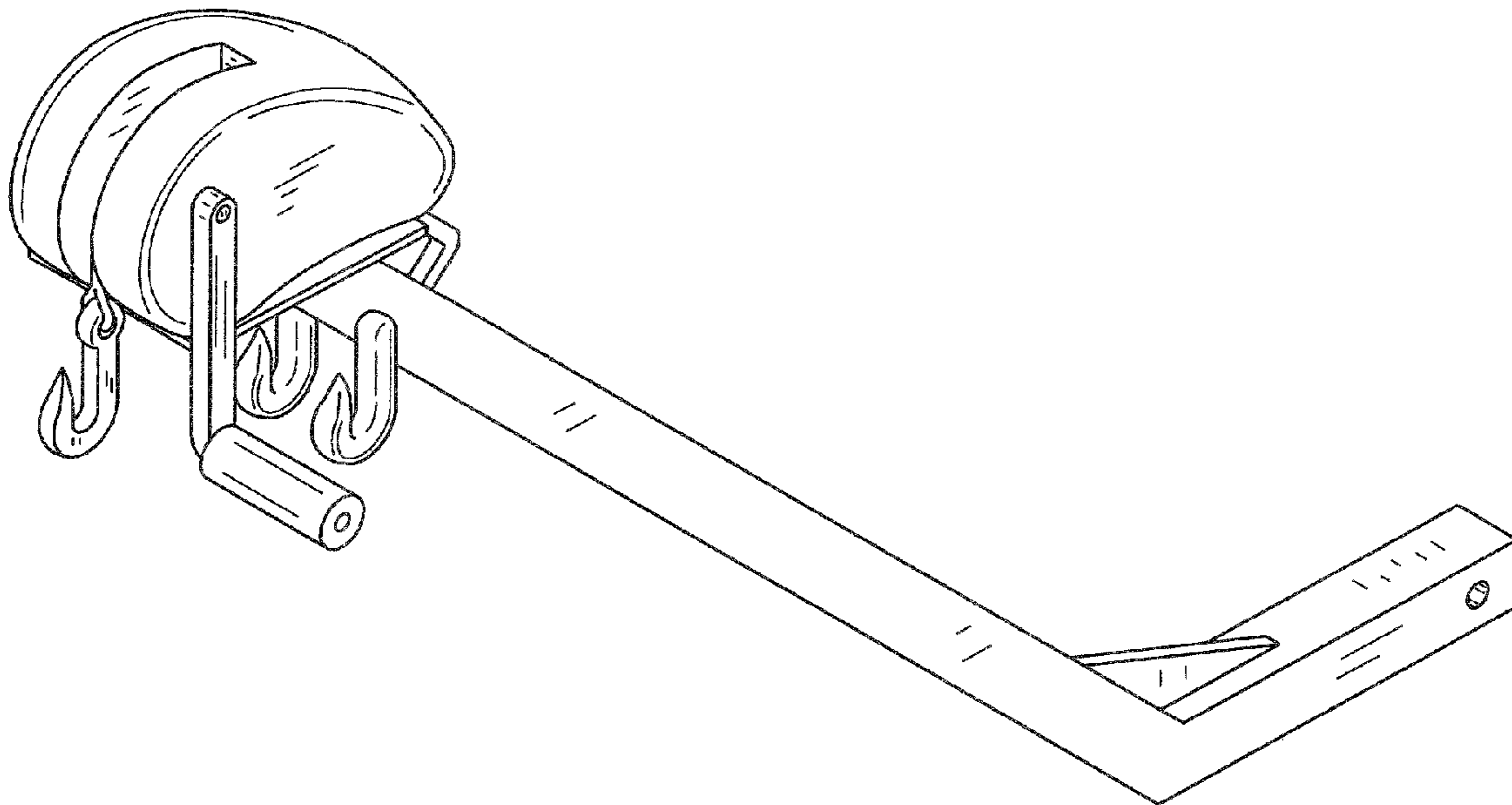
FIG. 4 is a front view thereof;

FIG. 5 is a back view thereof;

FIG. 6 is a top view thereof; and,

FIG. 7 is a bottom view thereof.

1 Claim, 5 Drawing Sheets



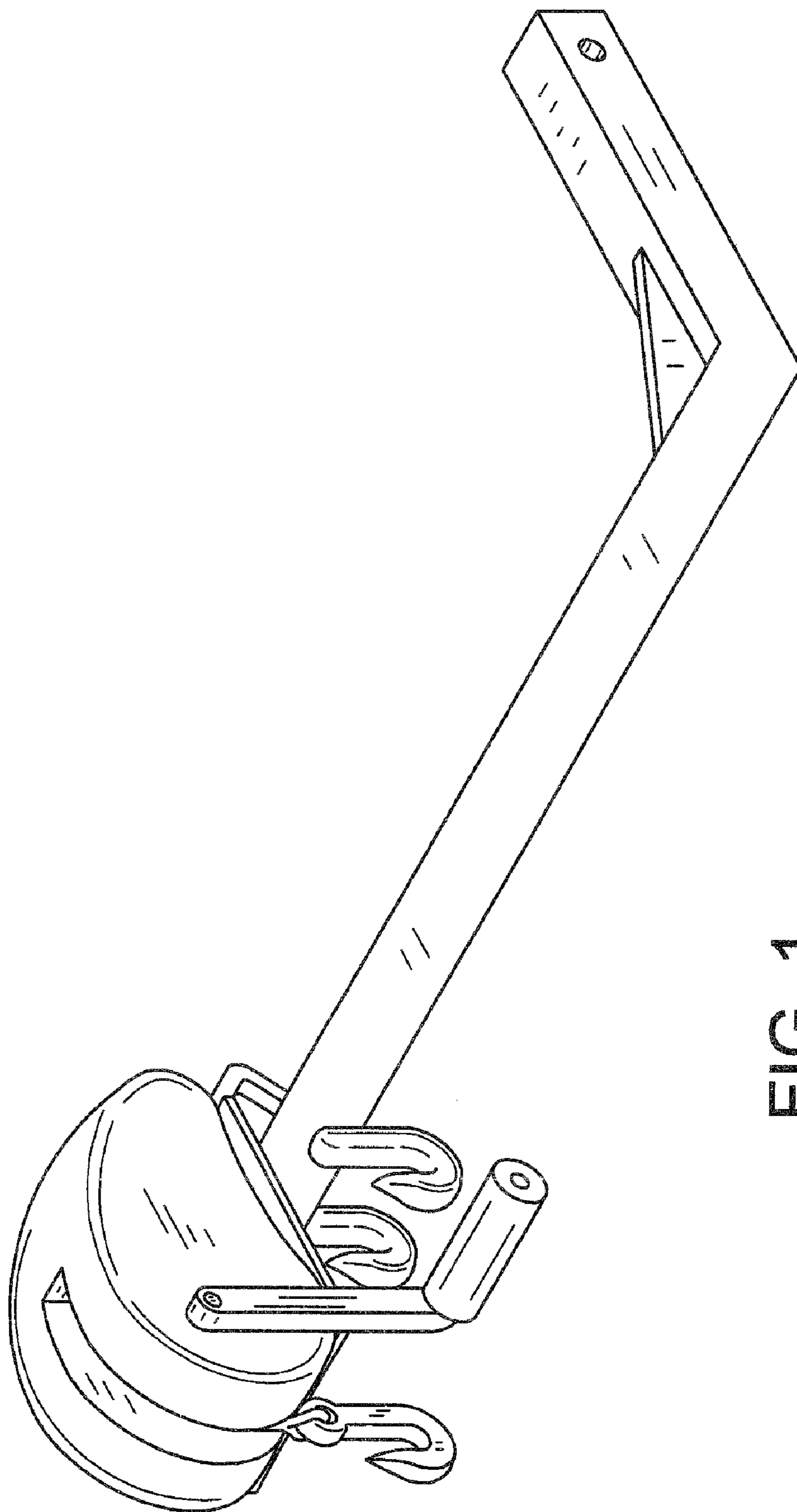


FIG. 1

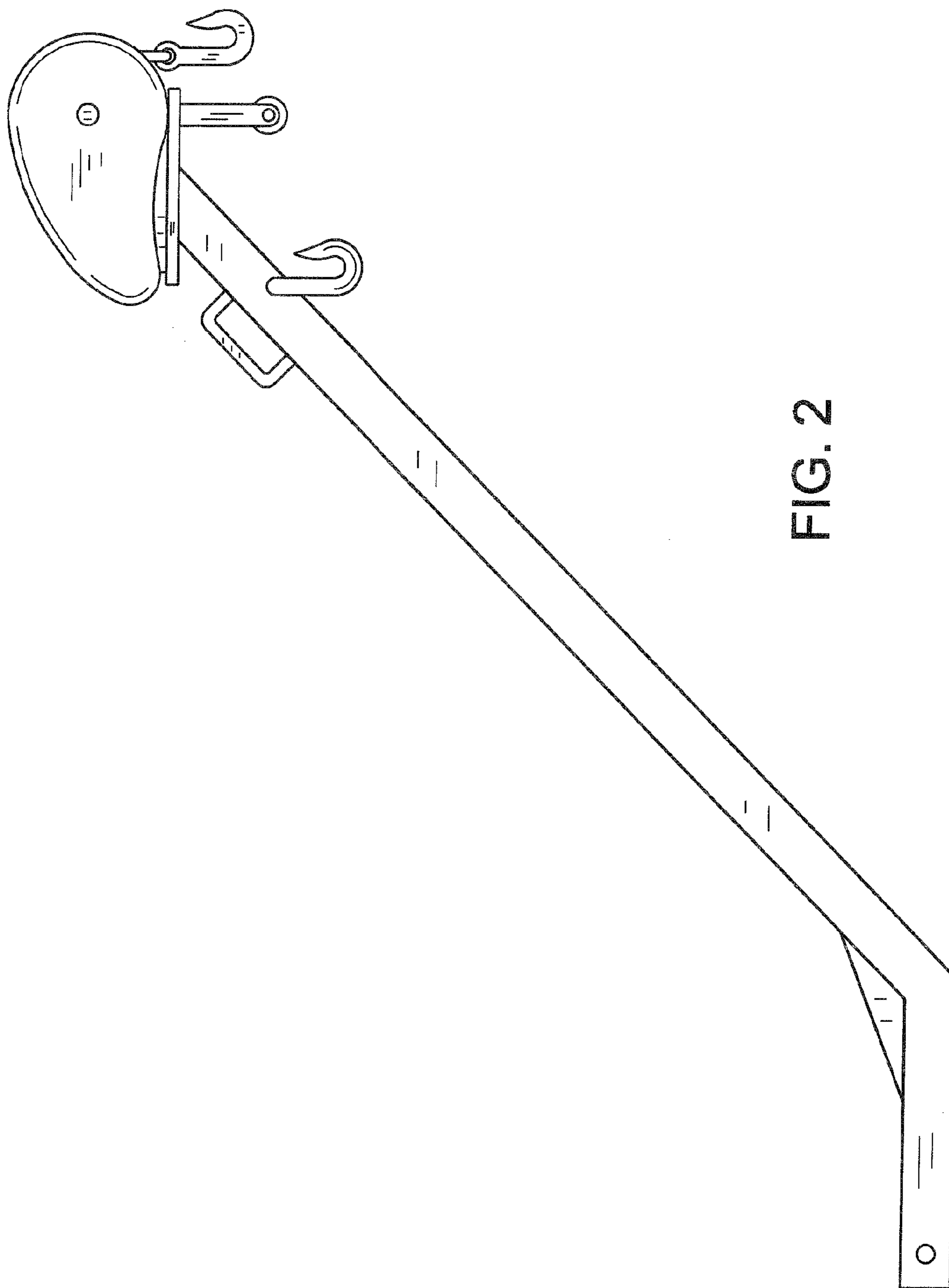


FIG. 2

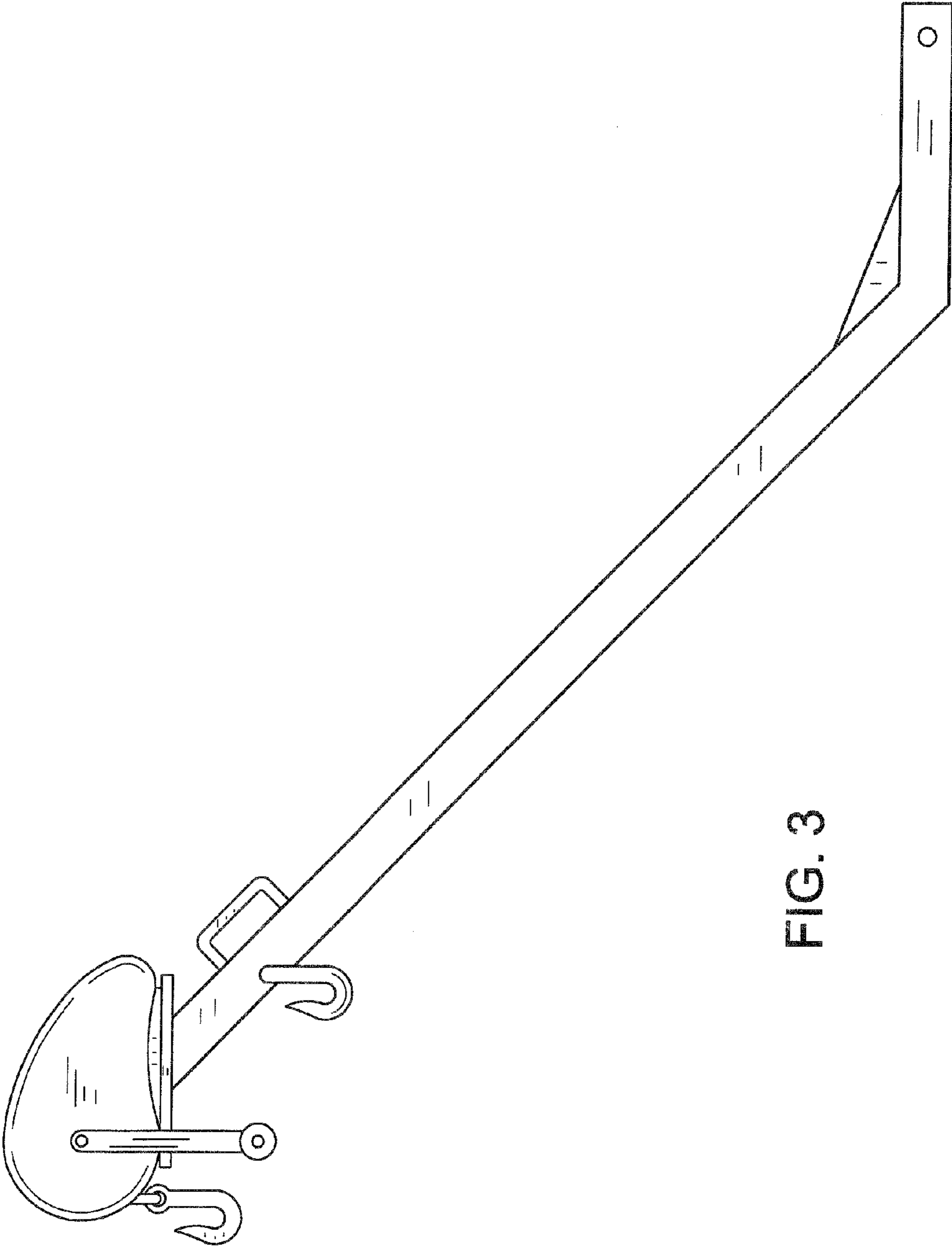


FIG. 3

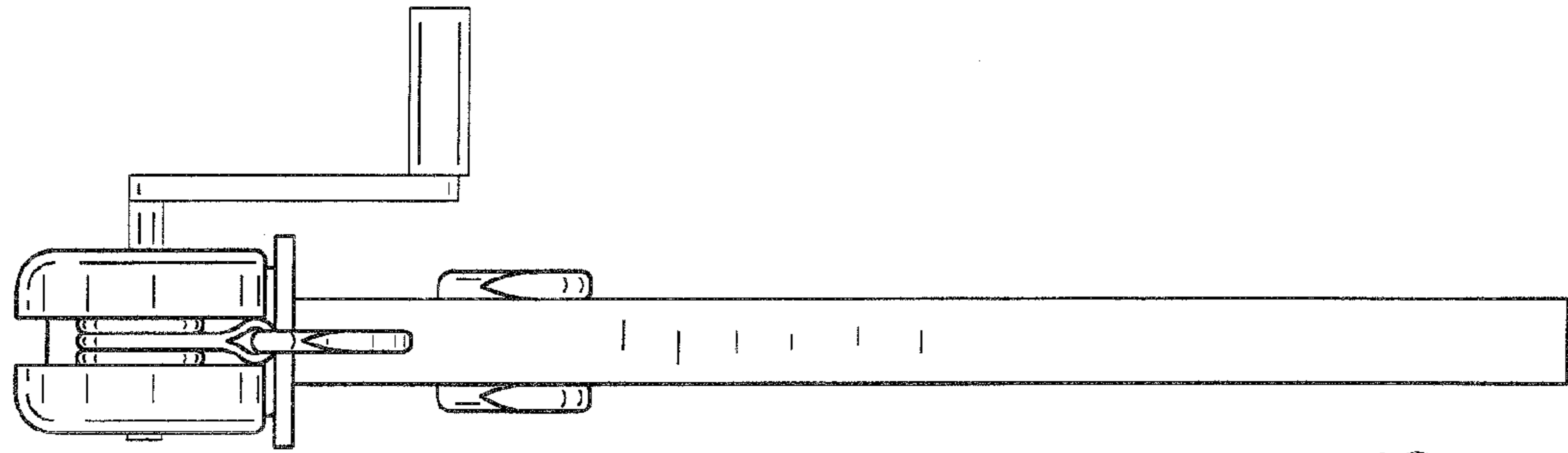


FIG. 5

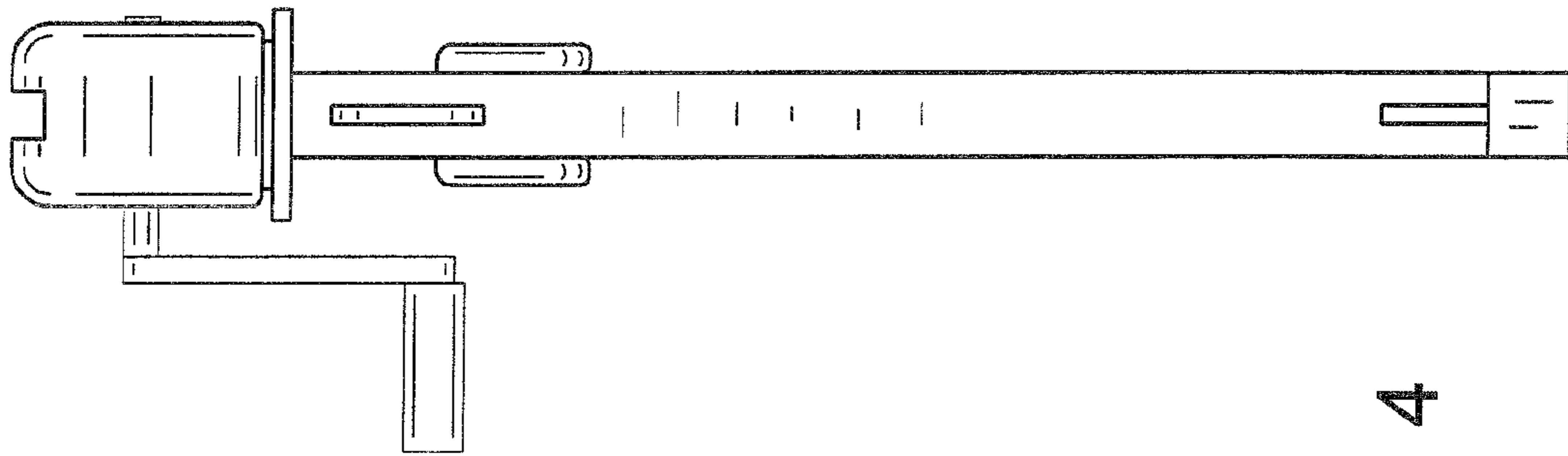


FIG. 4

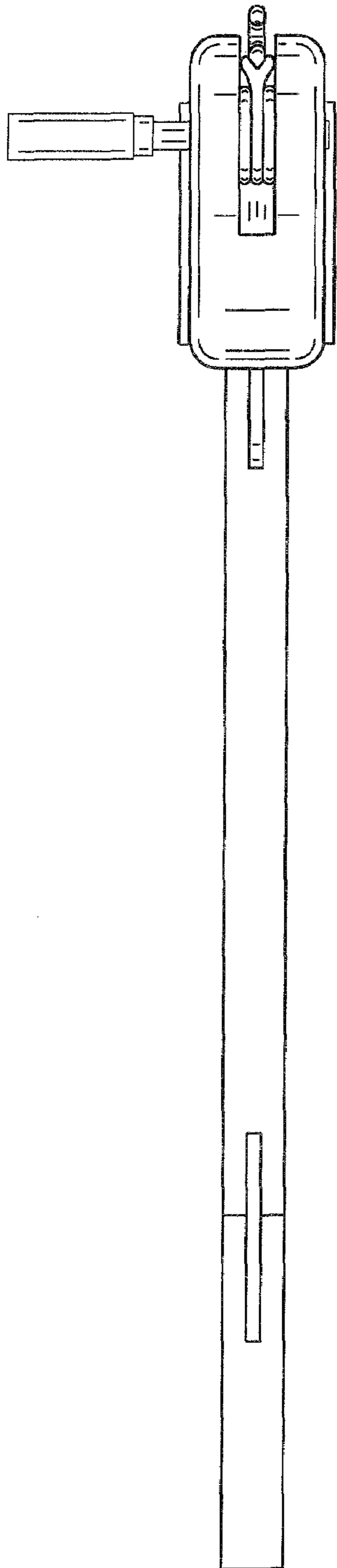


FIG. 6

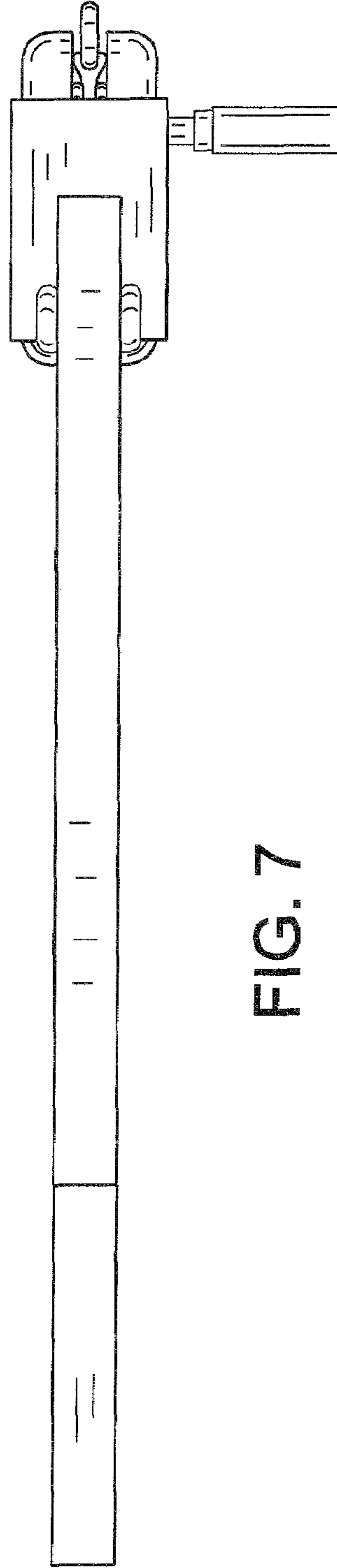


FIG. 7