

US00D597721S

(12) **United States Design Patent**  
**Brockington et al.**

(10) **Patent No.:** **US D597,721 S**

(45) **Date of Patent:** **\*\* \*Aug. 4, 2009**

(54) **WALL MOUNT TRASH CAN**

D413,419 S \* 8/1999 Arbak et al. .... D34/1  
D471,686 S 3/2003 Zimmerman  
D526,455 S 8/2006 Chen  
D540,502 S 4/2007 Rowan

(75) Inventors: **William T. Brockington**, Kemersville,  
NC (US); **Anthony D. Moore**,  
Summerfield, NC (US)

(73) Assignee: **Camco Manufacturing, Inc.**,  
Greensboro, NC (US)

(\* ) Notice: This patent is subject to a terminal dis-  
claimer.

(\*\*) Term: **14 Years**

(21) Appl. No.: **29/292,591**

(22) Filed: **Oct. 18, 2007**

(51) **LOC (9) Cl.** ..... **09-09**

(52) **U.S. Cl.** ..... **D34/7**

(58) **Field of Classification Search** ..... D34/1,  
D34/5, 6, 7, 8, 9, 10, 11; D6/524, 553; 220/908,  
220/908.1, 476, 477, 479, 480  
See application file for complete search history.

(56) **References Cited**

**U.S. PATENT DOCUMENTS**

3,207,355 A \* 9/1965 Saphier ..... 220/481  
D241,112 S \* 8/1976 Raftery ..... D34/8  
D318,549 S 7/1991 Delmerico  
D321,576 S 11/1991 Hradisky  
D332,849 S \* 1/1993 Hines ..... D34/6  
D366,743 S \* 1/1996 Davenport ..... D34/7  
D381,782 S \* 7/1997 Bright ..... D34/1  
D393,334 S \* 4/1998 Presnell et al. .... D34/9  
D401,708 S \* 11/1998 Arbak et al. .... D34/1

**OTHER PUBLICATIONS**

Ref. No. 1, Saftco 6 Qt. Plastic Mini Can, Buy On Line Now Website  
(www.buyonlinenow.com), 2 pages Sep. 21, 2007.

Ref. No. 2, Spring Lid Litter Bag, Auto expressions, pictures of  
product and packaging. Oct. 8, 2007.

\* cited by examiner

*Primary Examiner*—Cynthia E Ramirez

(57) **CLAIM**

The ornamental design for a wall mount trash can, as shown  
and described.

**DESCRIPTION**

FIG. 1 is a top, front right perspective view of an wall mount  
trash can according to our invention;

FIG. 2 is a top, rear right perspective view of same wall mount  
trash can as in FIG. 1;

FIG. 3 is a bottom, rear left perspective view of same wall  
mount trash can as in FIG. 1;

FIG. 4 is a front elevational view thereof;

FIG. 5 is a right elevational view thereof;

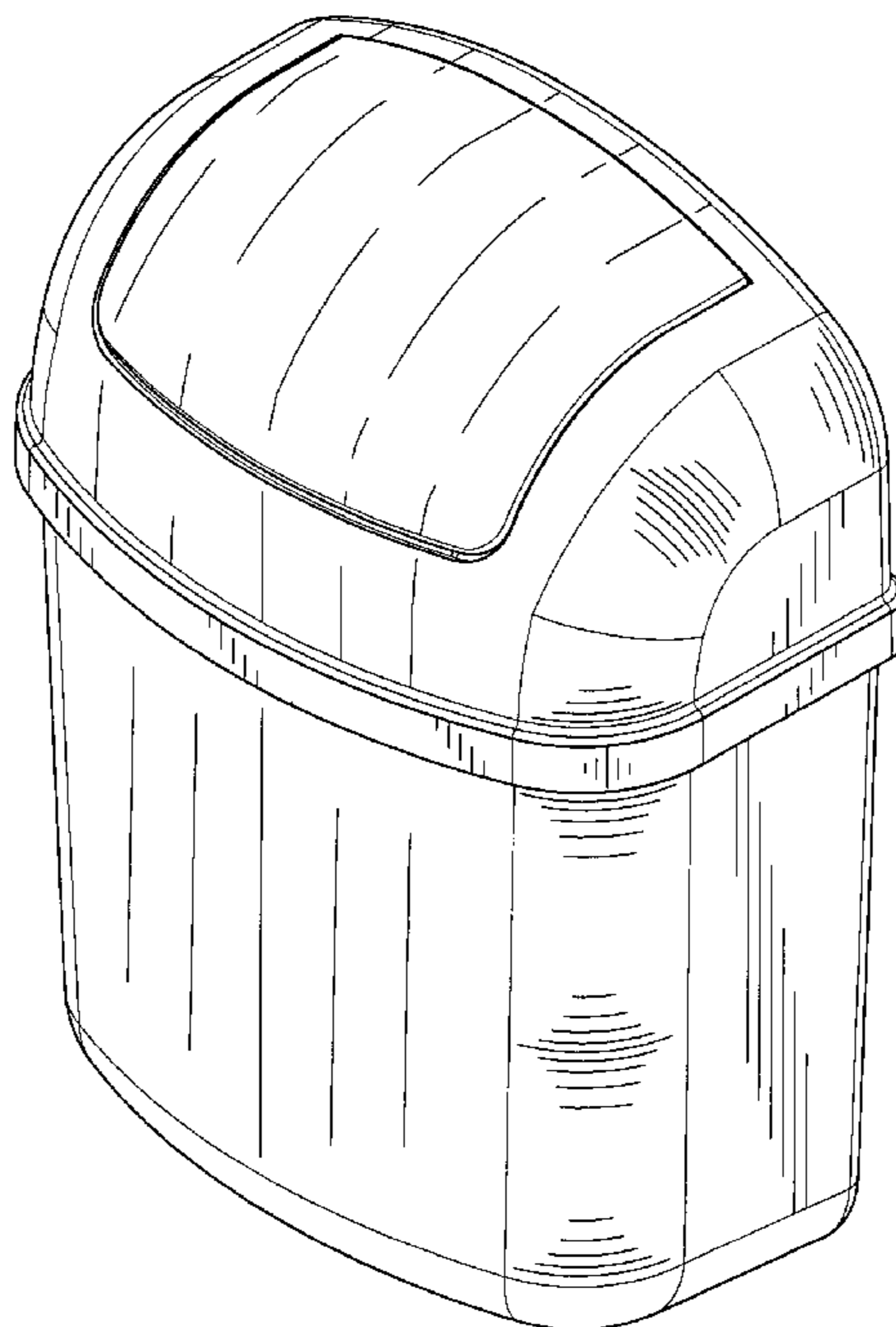
FIG. 6 is a left elevational view thereof;

FIG. 7 is a rear elevational view thereof;

FIG. 8 is a top plan view thereof; and,

FIG. 9 is a bottom plan view thereof.

**1 Claim, 7 Drawing Sheets**



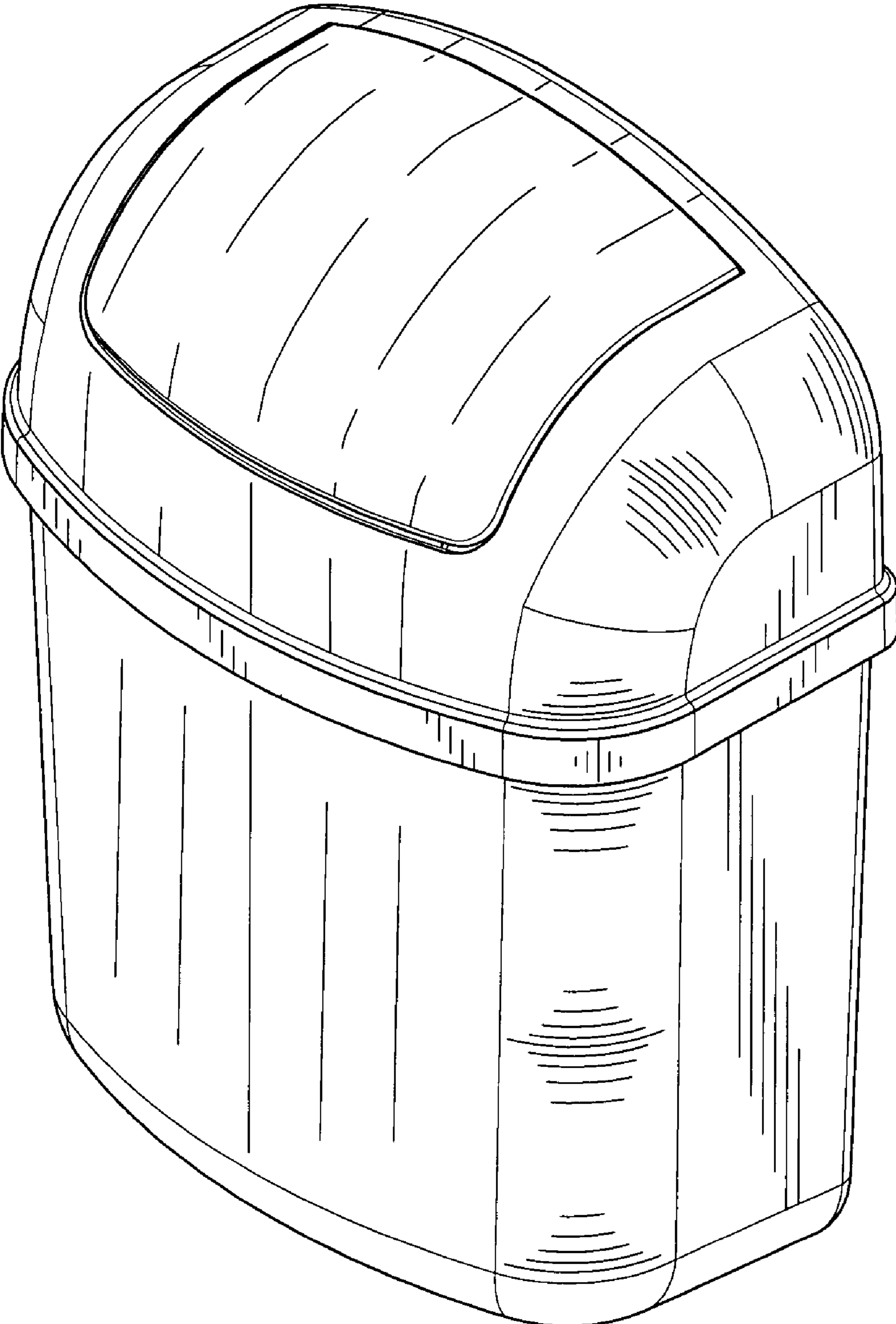


FIG. 1

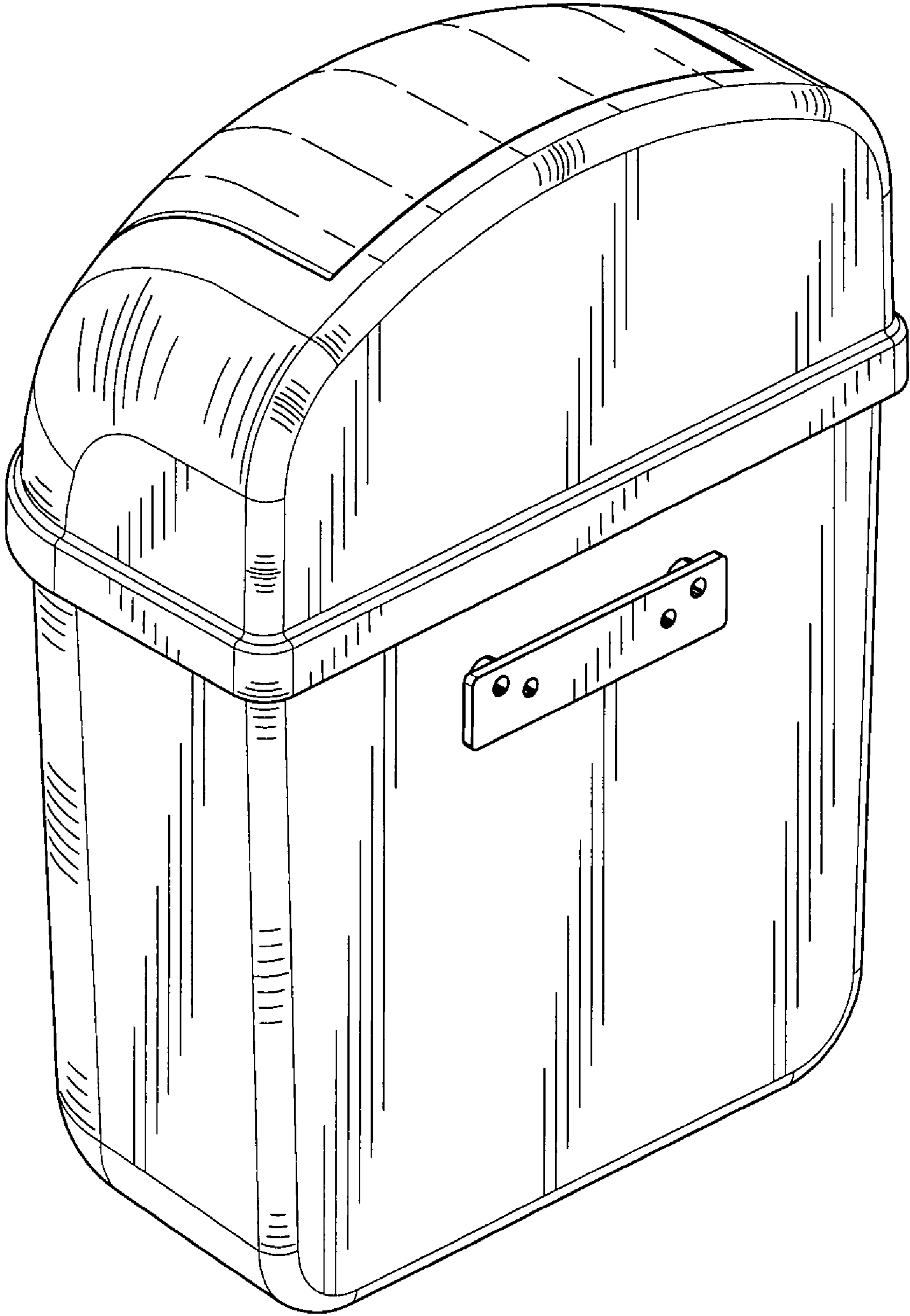


FIG. 2

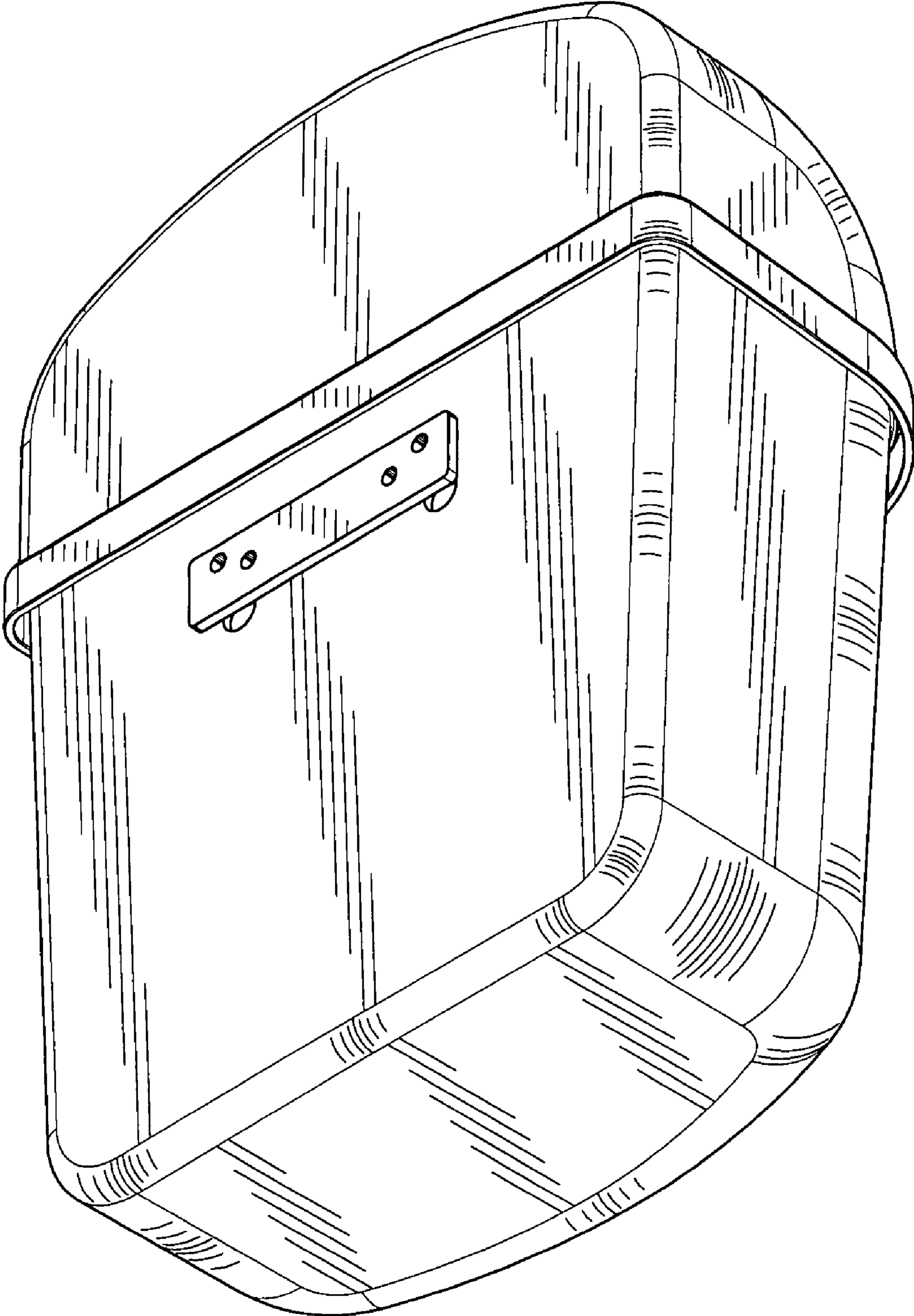


FIG. 3

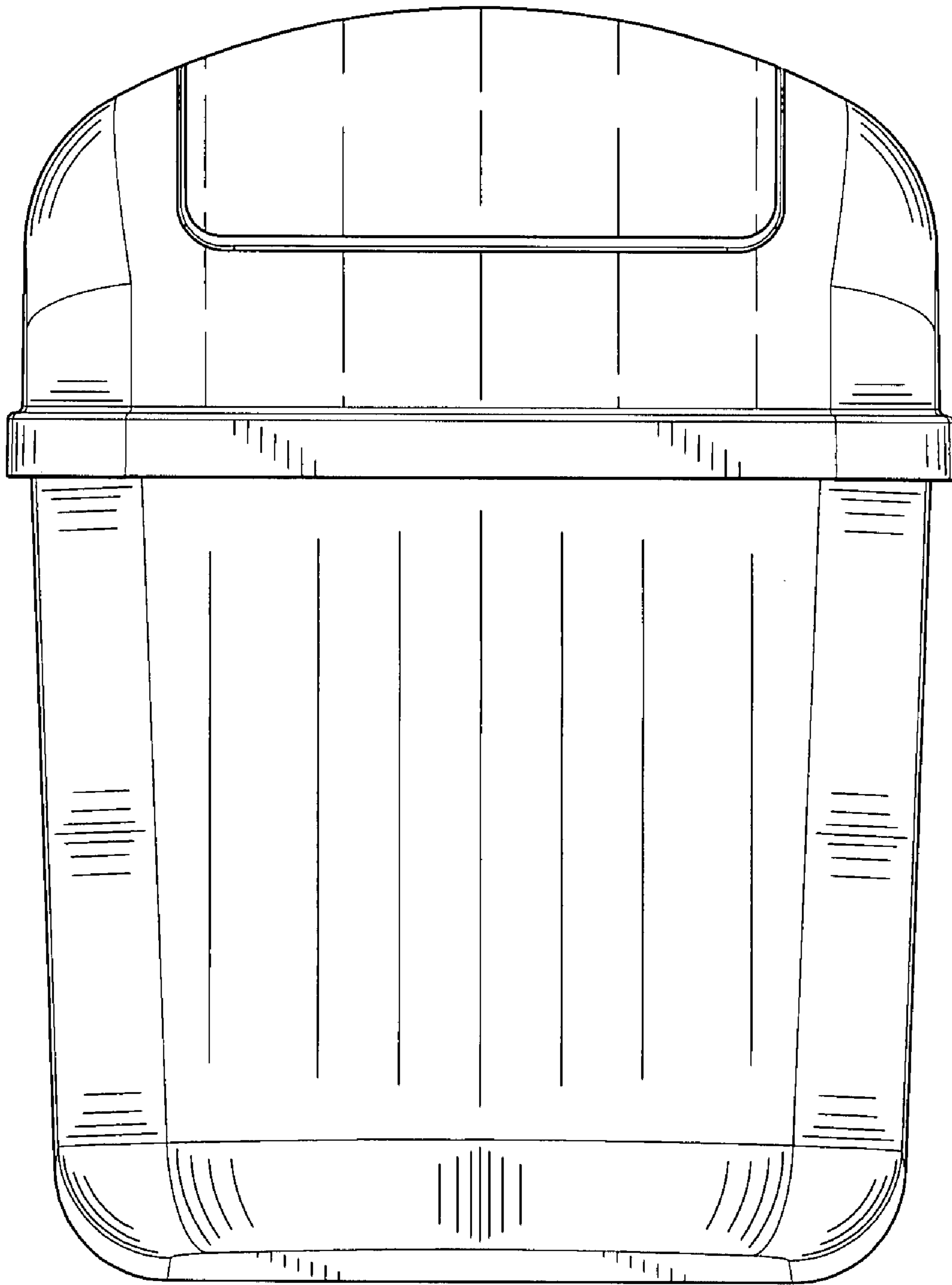


FIG. 4

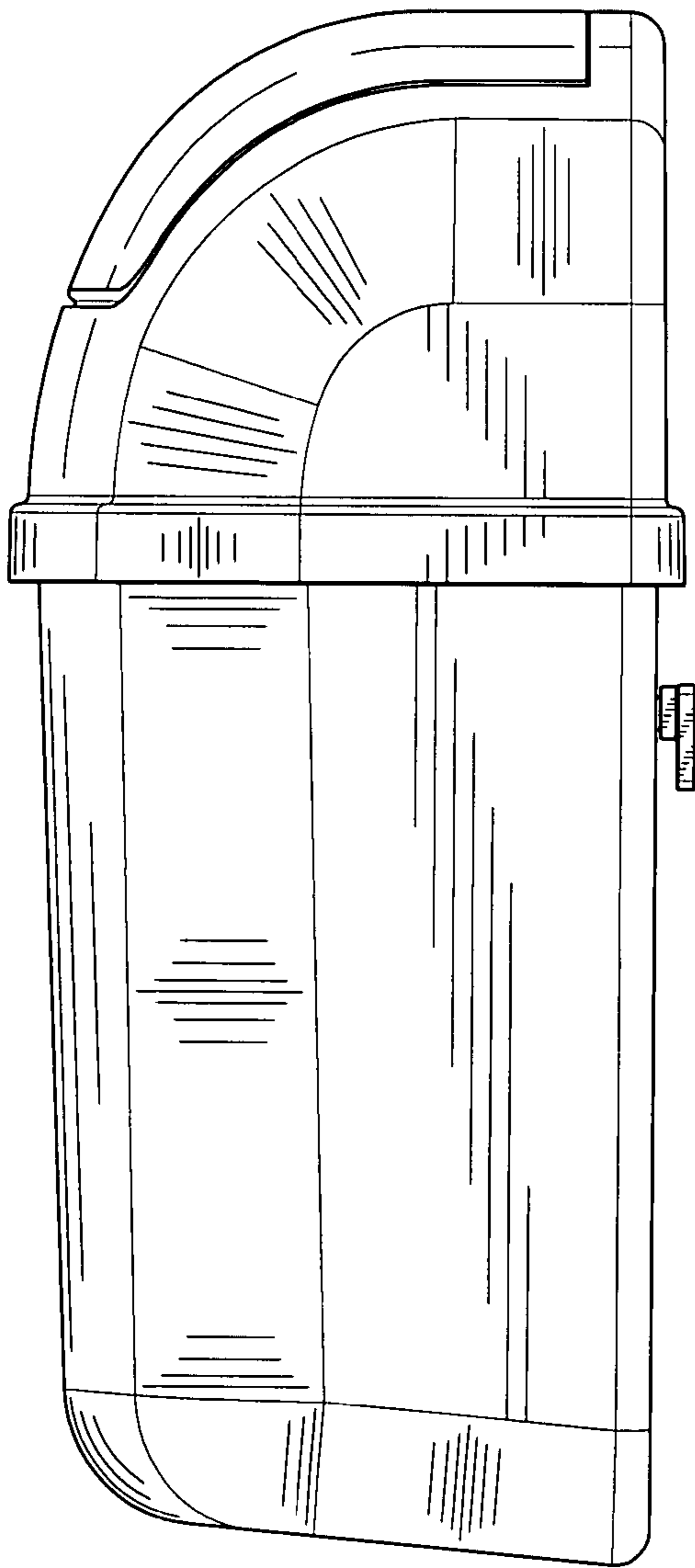


FIG. 5

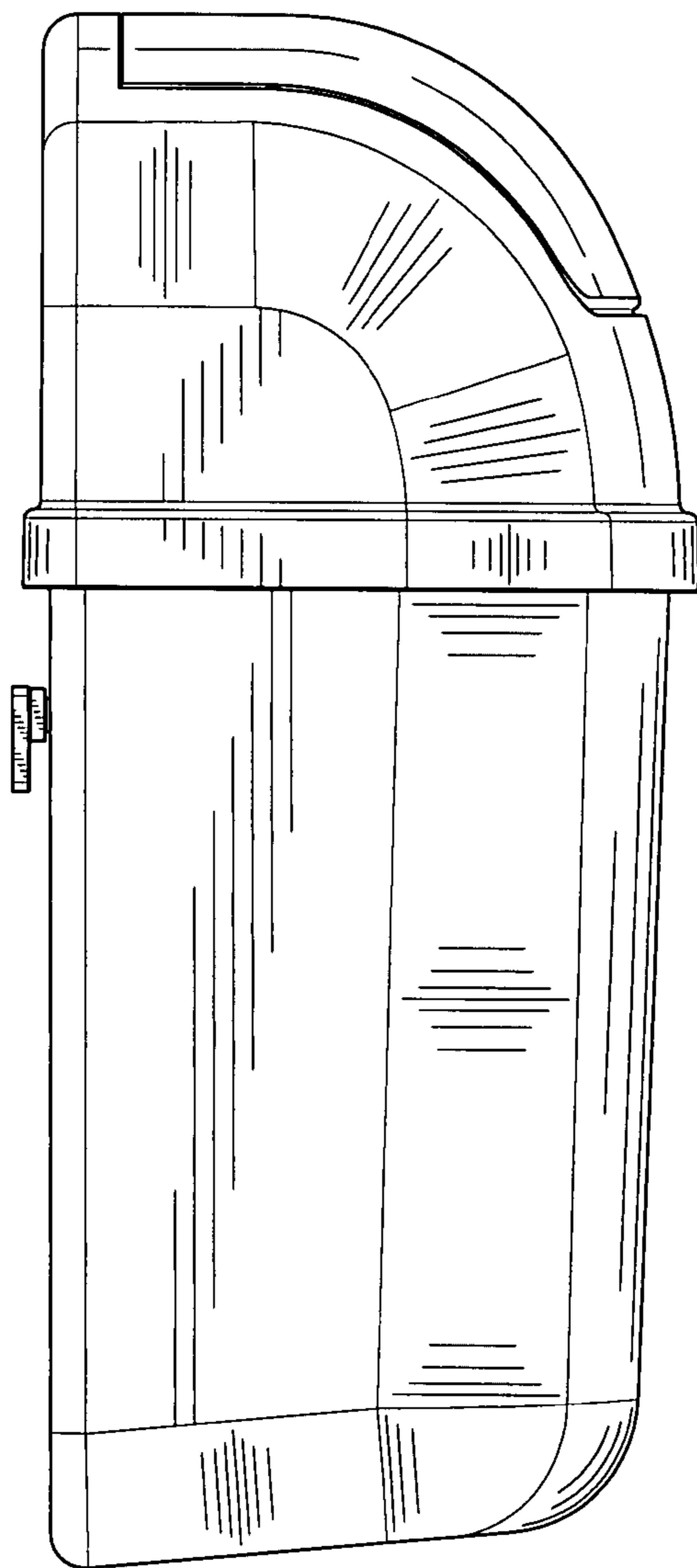


FIG. 6

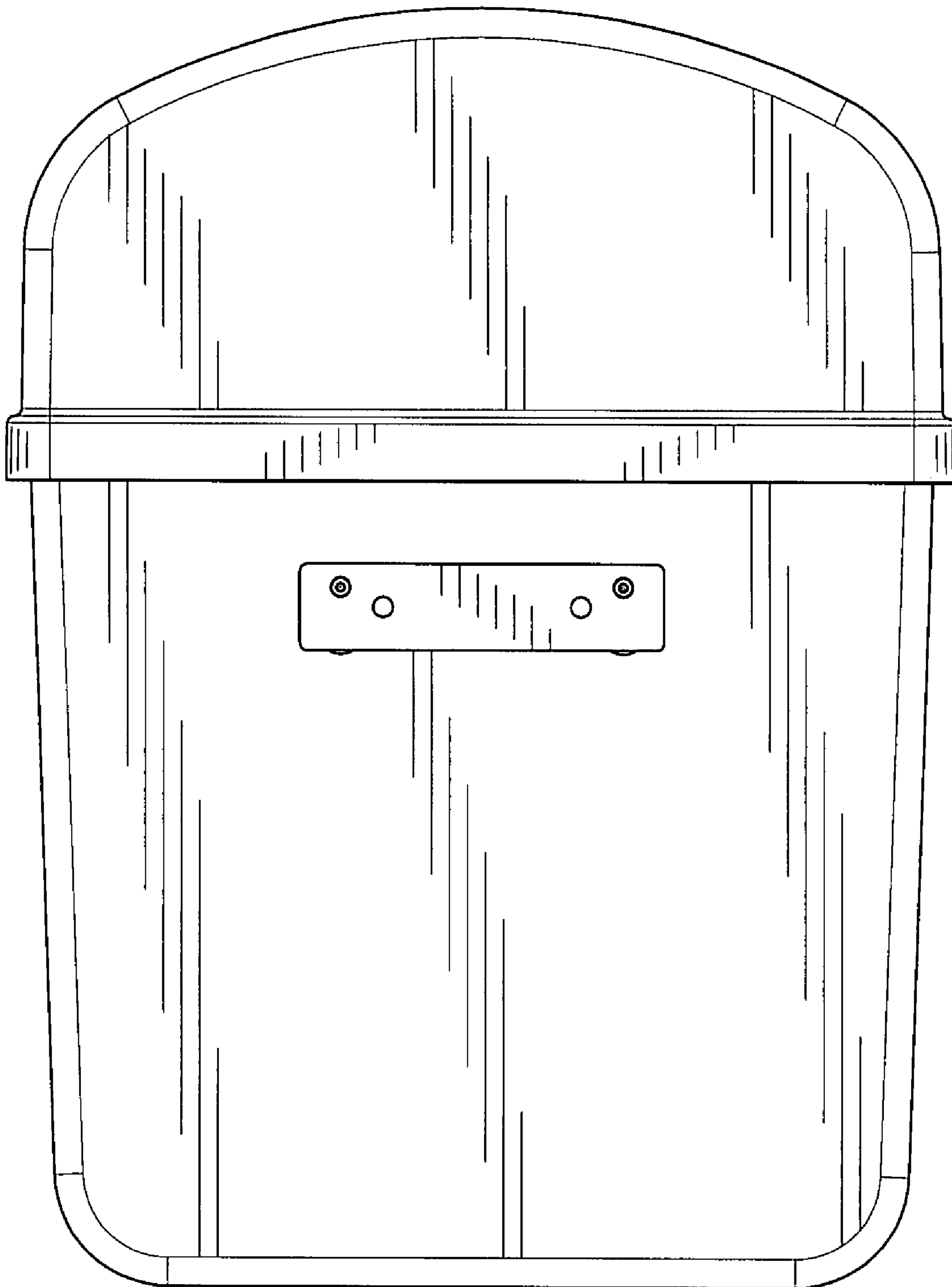


FIG. 7

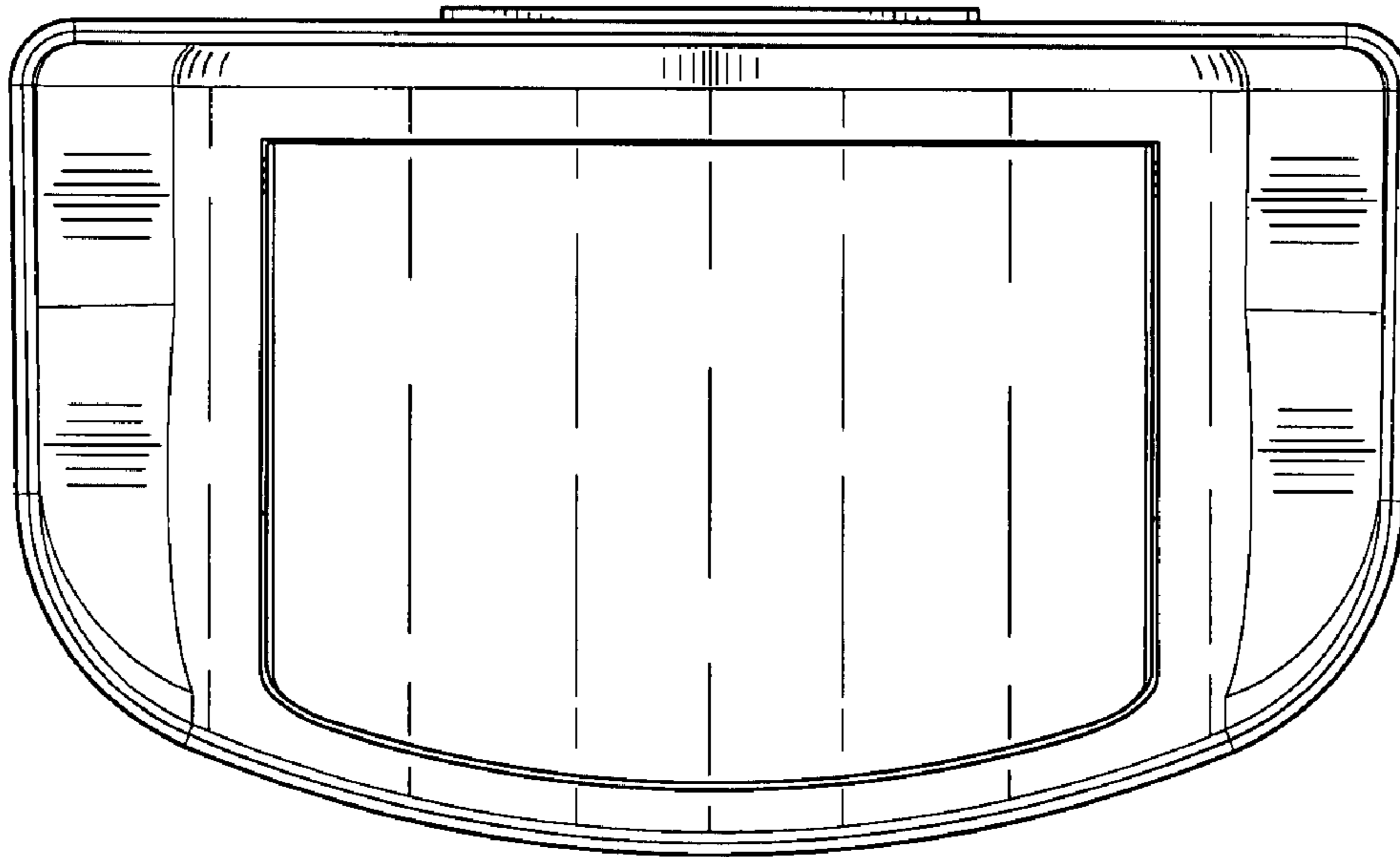


FIG. 8

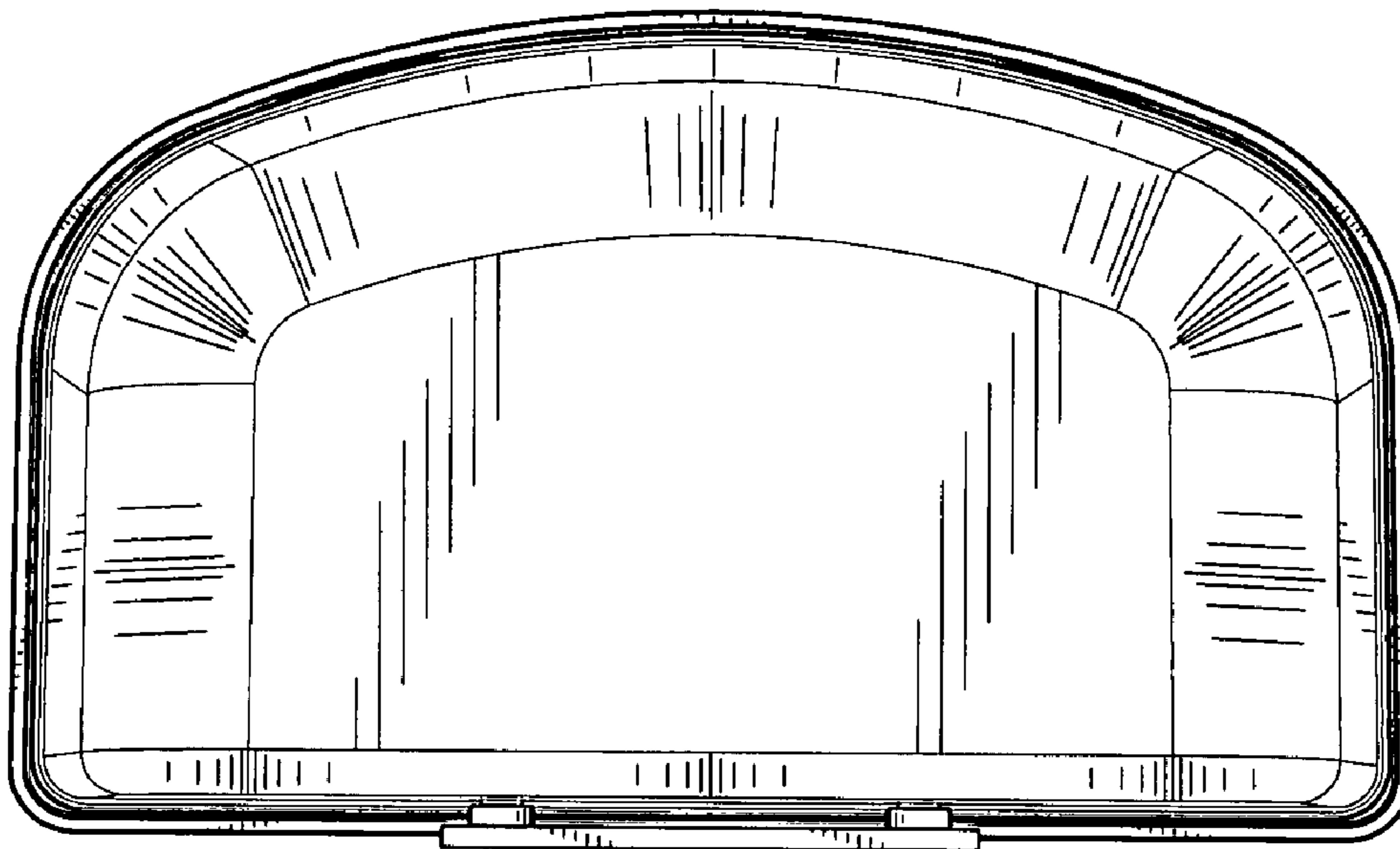


FIG. 9



UNITED STATES PATENT AND TRADEMARK OFFICE  
**CERTIFICATE OF CORRECTION**

PATENT NO. : Des. 597,721 S  
APPLICATION NO. : 29/292591  
DATED : August 4, 2009  
INVENTOR(S) : William T. Brockington and Anthony D. Moore

Page 1 of 1

It is certified that error appears in the above-identified patent and that said Letters Patent is hereby corrected as shown below:

On title page Item [75] the city of residence of inventor William T. Brockington should be changed from 'Kemersville' to --Kernersville--.

Signed and Sealed this

Fifteenth Day of September, 2009



David J. Kappos  
*Director of the United States Patent and Trademark Office*