

US00D597719S

(12) **United States Design Patent**
McNeil et al.

(10) **Patent No.:** **US D597,719 S**
(45) **Date of Patent:** **** Aug. 4, 2009**

(54) **FLOOR POLISHING BROOM**

(75) Inventors: **Meghan L. McNeil**, Grand Rapids, MI
(US); **Douglas J. Medema**, Belding, MI
(US)

(73) Assignee: **BISSELL Homecare, Inc.**, Grand
Rapids, MI (US)

(**) Term: **14 Years**

(21) Appl. No.: **29/327,811**

(22) Filed: **Nov. 13, 2008**

(51) **LOC (9) Cl.** **04-01**

(52) **U.S. Cl.** **D32/51**

(58) **Field of Classification Search** D32/50,
D32/40-41, 51-52, 49, 45; 15/115, 119.2,
15/116.2, 118, 229.3, 229.6-229.8, 228,
15/220.1, 171, 248.1; 428/198; 451/515,
451/190, 209.1, 288, 231; D4/199, 132

See application file for complete search history.

(56) **References Cited**

U.S. PATENT DOCUMENTS

3,099,855	A *	8/1963	Nash	15/231
4,225,998	A *	10/1980	Thielen	15/231
4,852,210	A *	8/1989	Krajicek	D15/228
5,343,586	A *	9/1994	Vosbikian	15/121
D415,616	S *	10/1999	Camp et al.	D4/199
5,960,508	A *	10/1999	Holt et al.	15/228
6,044,513	A *	4/2000	Penn	15/118

6,810,554	B2 *	11/2004	McKay	15/228
6,871,372	B2 *	3/2005	Vosbikian et al.	15/115
D511,046	S *	11/2005	Berti	D4/199
D549,465	S *	8/2007	Hay et al.	D4/199
D564,164	S *	3/2008	Harper et al.	D32/51
D568,616	S *	5/2008	Berti	D4/199

* cited by examiner

Primary Examiner—Pamela J Burgess

(74) *Attorney, Agent, or Firm*—McGarry Bair PC

(57) **CLAIM**

The ornamental design for a floor polishing broom, as shown and described.

DESCRIPTION

FIG. 1 is a front right side perspective view of a floor polishing broom which embodies our design;

FIG. 2 is a front view thereof;

FIG. 3 is a rear view thereof;

FIG. 4 is a right side view thereof;

FIG. 5 is a left side view thereof;

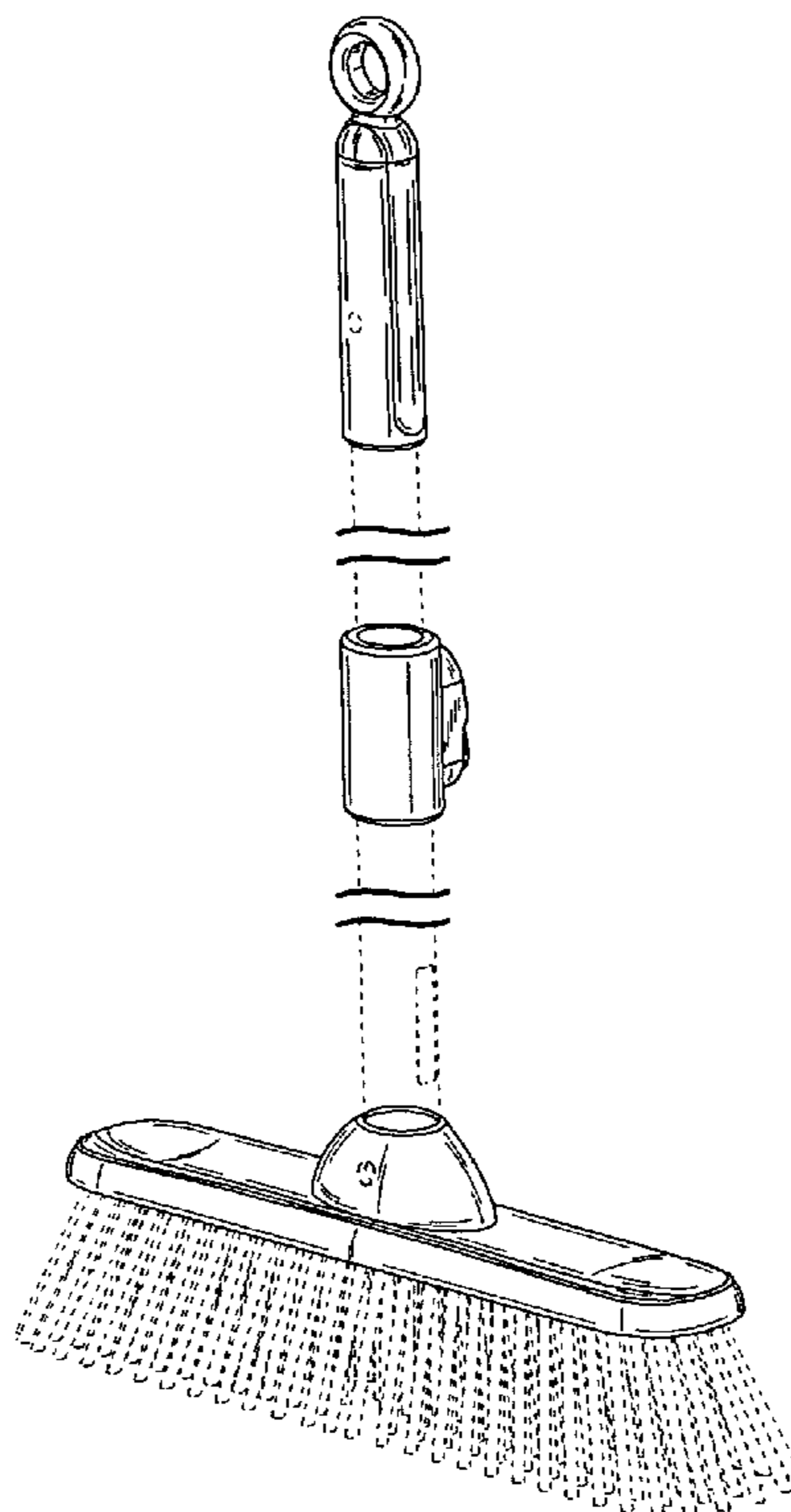
FIG. 6 is a top view thereof; and,

FIG. 7 is a bottom view thereof.

The broken lines shown are for illustrative purposes only and form no part of the claimed design.

The use of the discontinuous rendering of the mop handle represents indeterminate length.

1 Claim, 3 Drawing Sheets



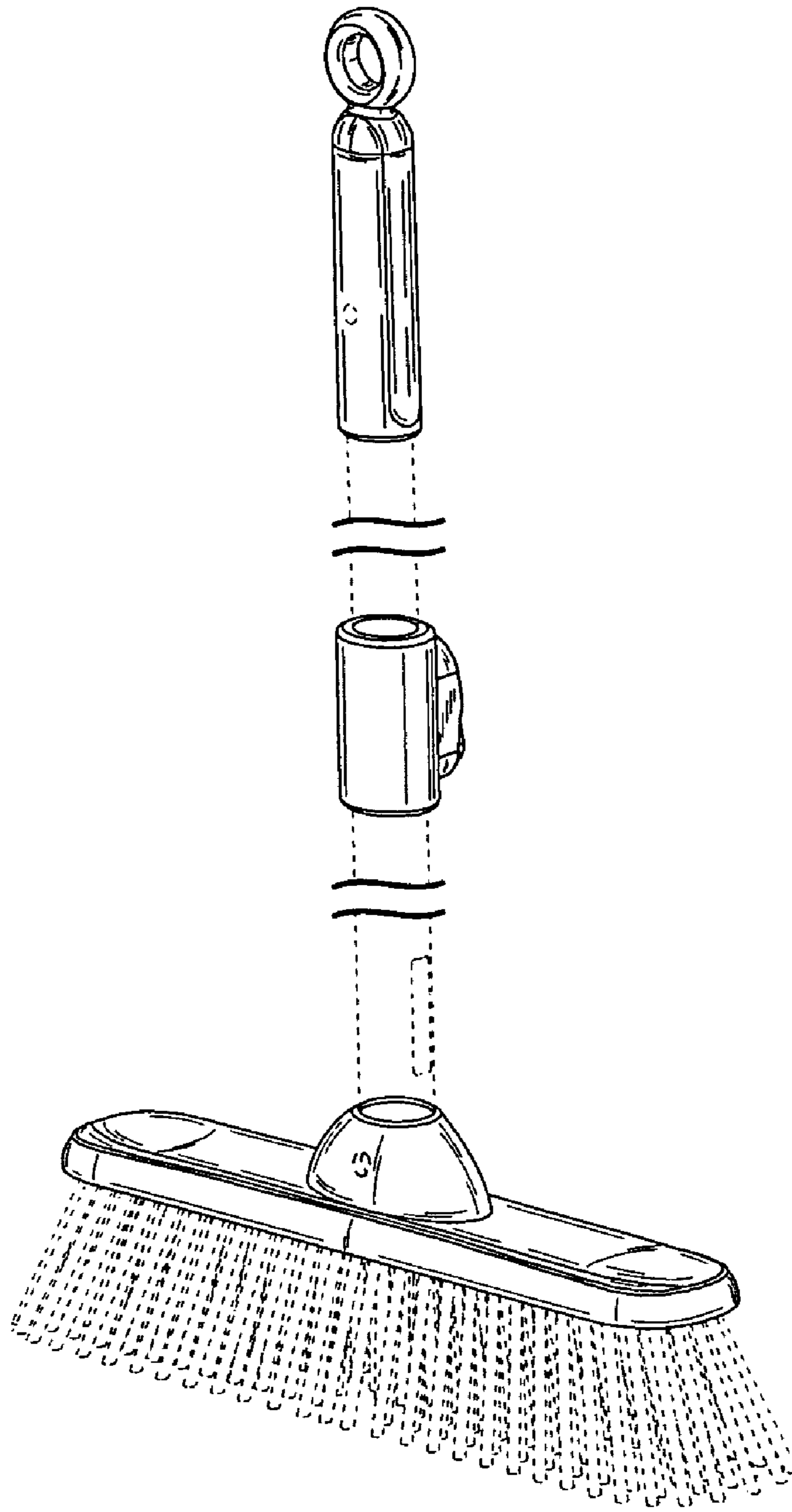


Fig. 1

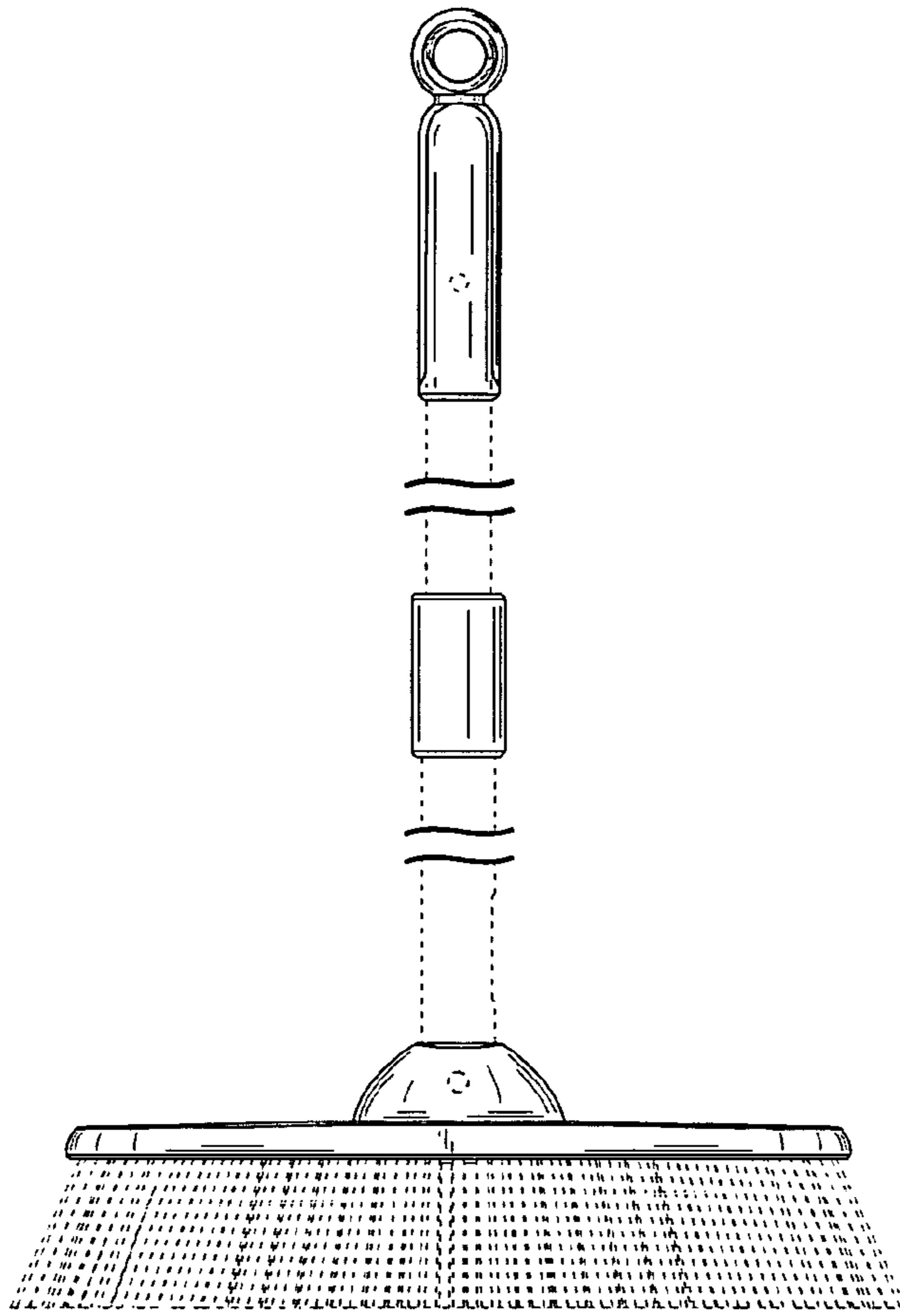


Fig. 2

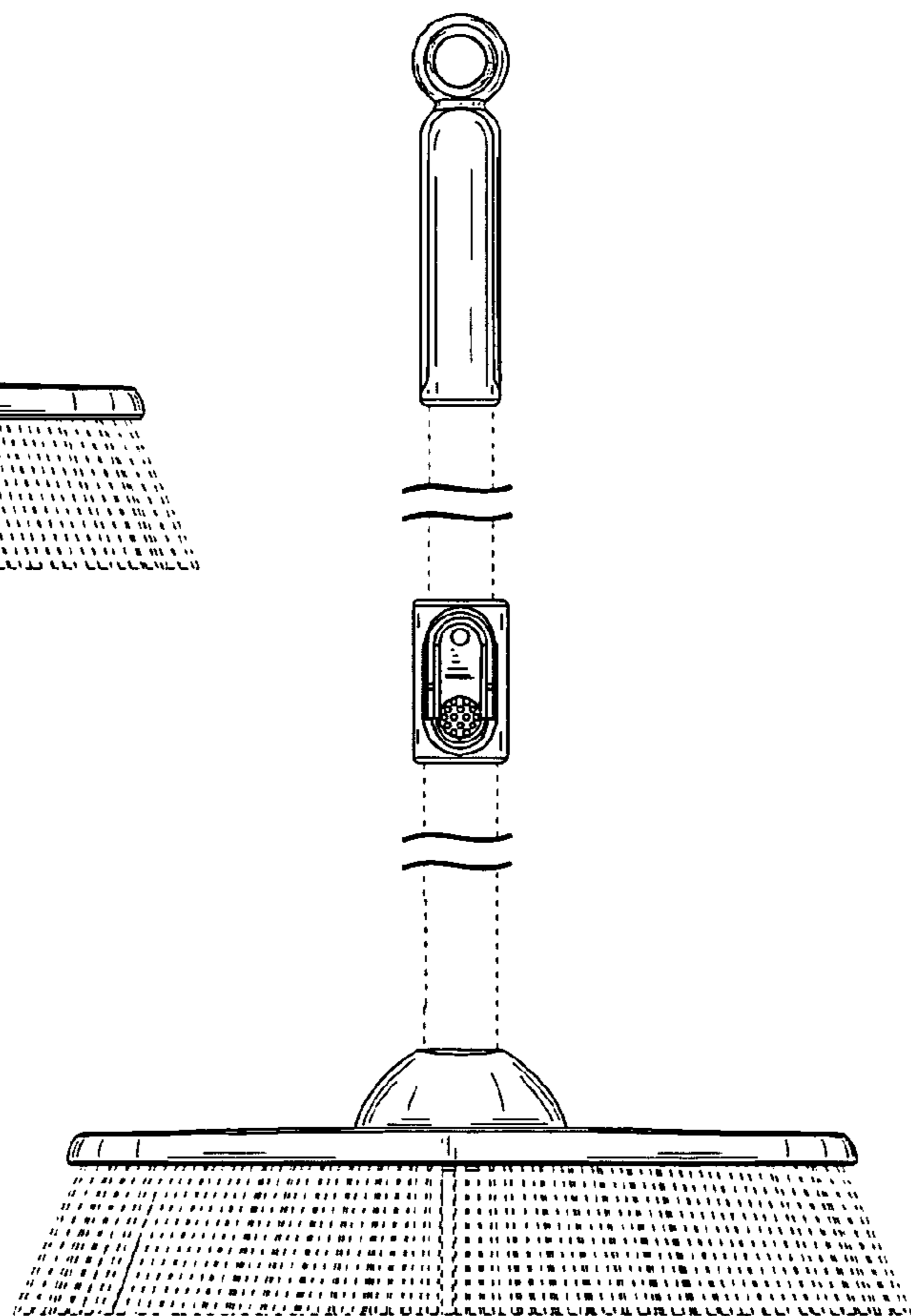


Fig. 3

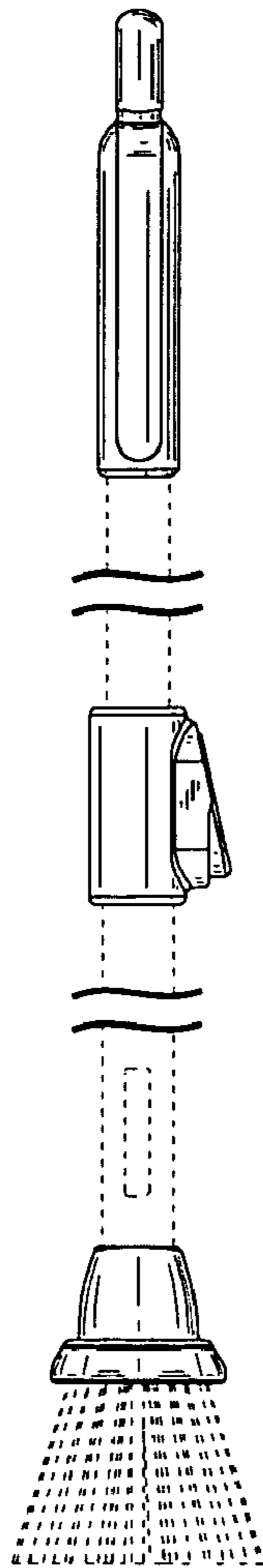


Fig. 4

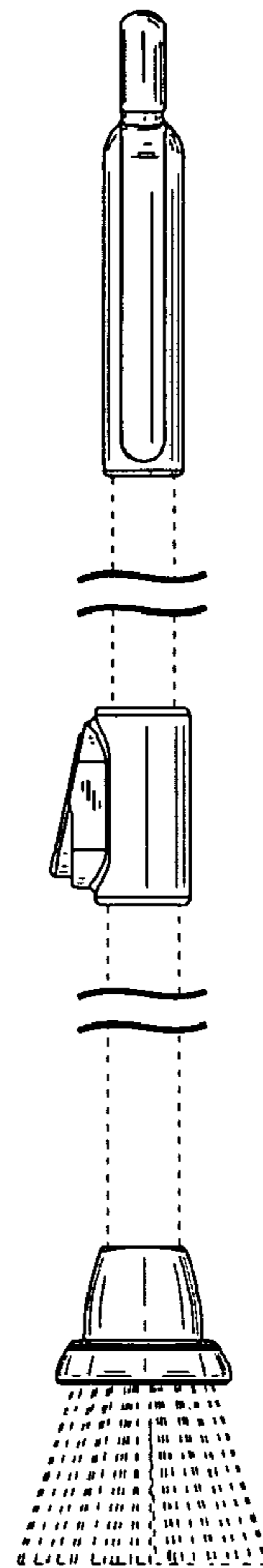


Fig. 5

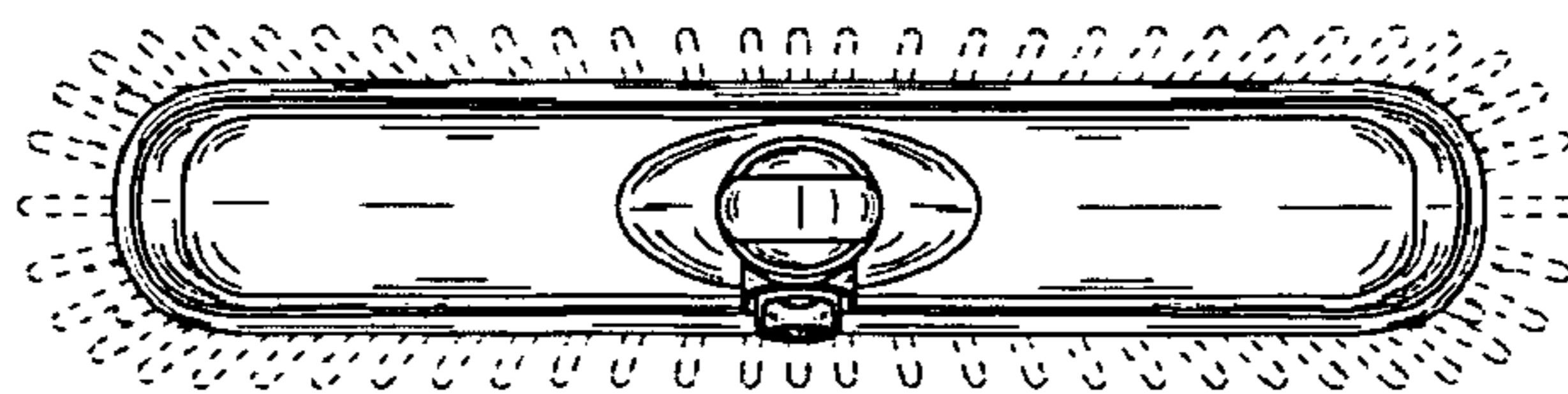


Fig. 6

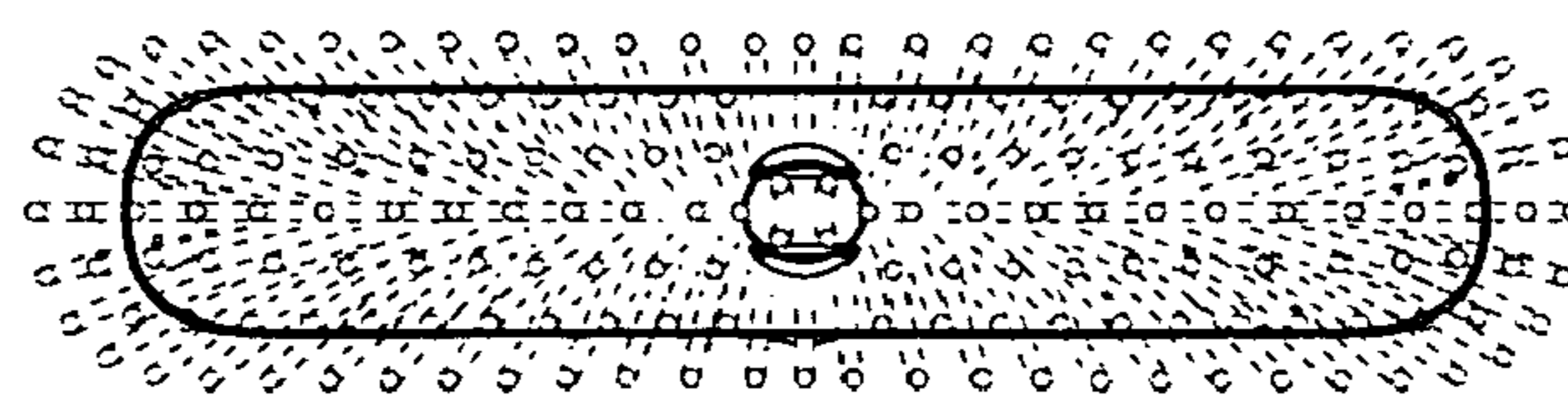


Fig. 7