



US00D597718S

(12) **United States Design Patent**
McNeil et al.

(10) **Patent No.:** **US D597,718 S**

(45) **Date of Patent:** **** Aug. 4, 2009**

(54) **FLAT MOP**

(75) Inventors: **Meghan L. McNeil**, Grand Rapids, MI (US); **Douglas J. Medema**, Belding, MI (US)

(73) Assignee: **BISSELL Homecare, Inc.**, Grand Rapids, MI (US)

(**) Term: **14 Years**

(21) Appl. No.: **29/327,801**

(22) Filed: **Nov. 13, 2008**

(51) **LOC (9) Cl.** **04-01**

(52) **U.S. Cl.** **D32/45; D32/50**

(58) **Field of Classification Search** D32/50, D32/40, 51-52, 49; 15/115, 119.2, 116.2, 15/118, 229.3, 229.6-229.8, 228, 220.1; 428/198; 451/515, 190, 209.1, 288, 231
See application file for complete search history.

(56) **References Cited**

U.S. PATENT DOCUMENTS

3,099,855	A *	8/1963	Nash	15/231
4,225,998	A *	10/1980	Thielen	15/231
D302,759	S *	8/1989	Batchelor	D32/44
4,852,210	A *	8/1989	Krajicek	15/228
5,343,586	A *	9/1994	Vosbikian	15/121
D395,169	S *	6/1998	Yang	D4/137
5,960,508	A *	10/1999	Holt et al.	15/228
6,044,513	A *	4/2000	Penn	15/118

6,810,554	B2 *	11/2004	McKay	15/228
6,871,372	B2 *	3/2005	Vosbikian et al.	15/115
D515,759	S *	2/2006	Fischer	D32/45
D548,909	S *	8/2007	Murray	D32/45
D564,164	S *	3/2008	Harper et al.	D32/51

* cited by examiner

Primary Examiner—Pamela J Burgess

(74) *Attorney, Agent, or Firm*—McGarry Bair PC

(57) **CLAIM**

The ornamental design for a flat mop, as shown and described.

DESCRIPTION

FIG. 1 is a front perspective view of a flat mop which embodies our design;

FIG. 2 is a front view thereof;

FIG. 3 is a rear view thereof;

FIG. 4 is a left side view thereof;

FIG. 5 is a right side view thereof; and,

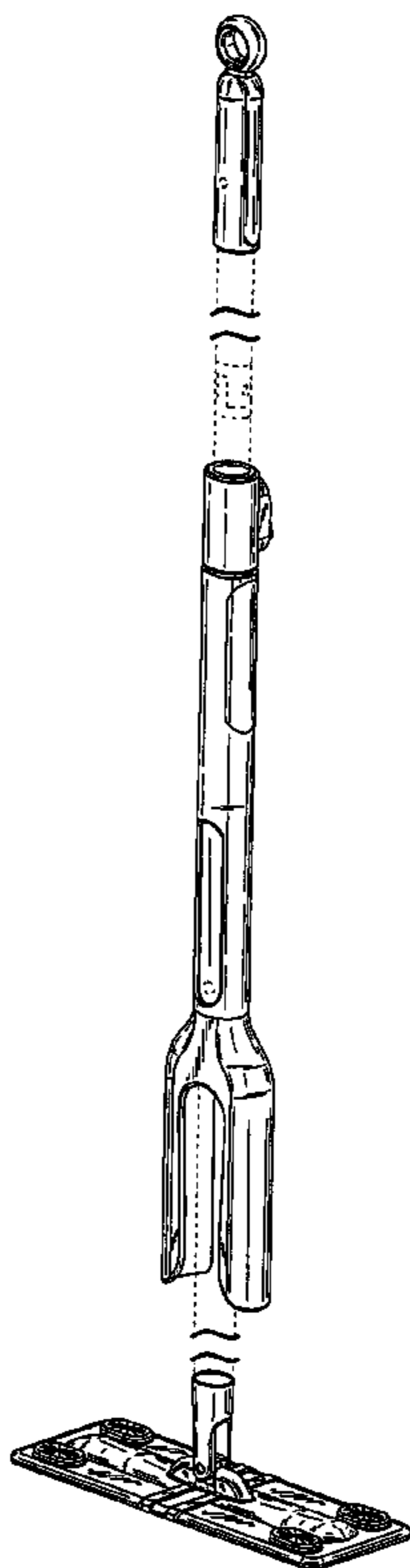
FIG. 6 is a top view thereof.

The bottom view is unornamented and not considered a part of the claimed design.

The broken lines shown are for illustrative purposes only and form no part of the claimed design.

The use of the discontinuous rendering of the mop handle represents indeterminate length.

1 Claim, 4 Drawing Sheets



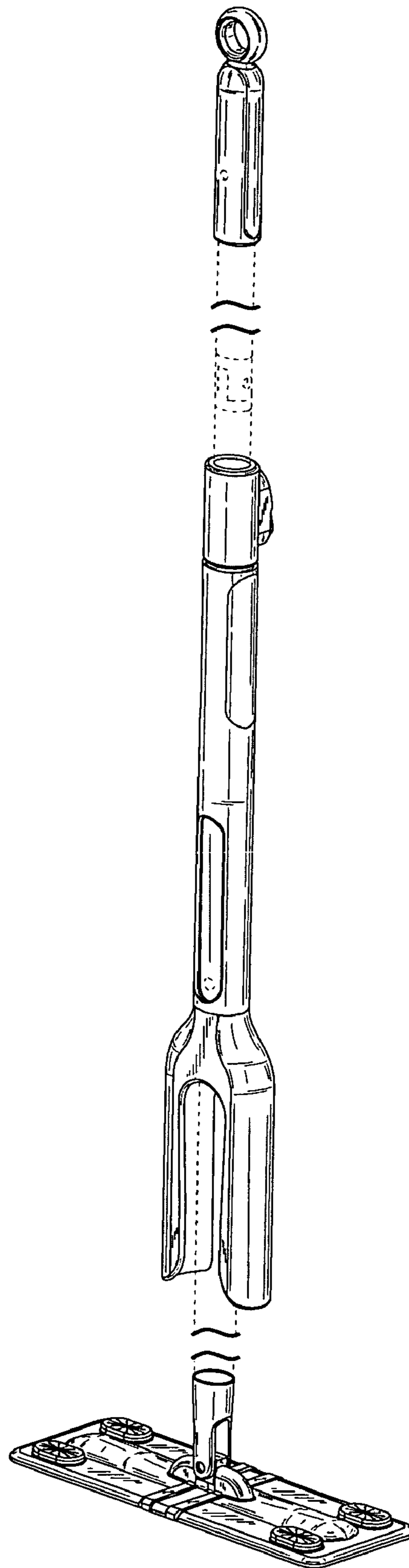


Fig. 1

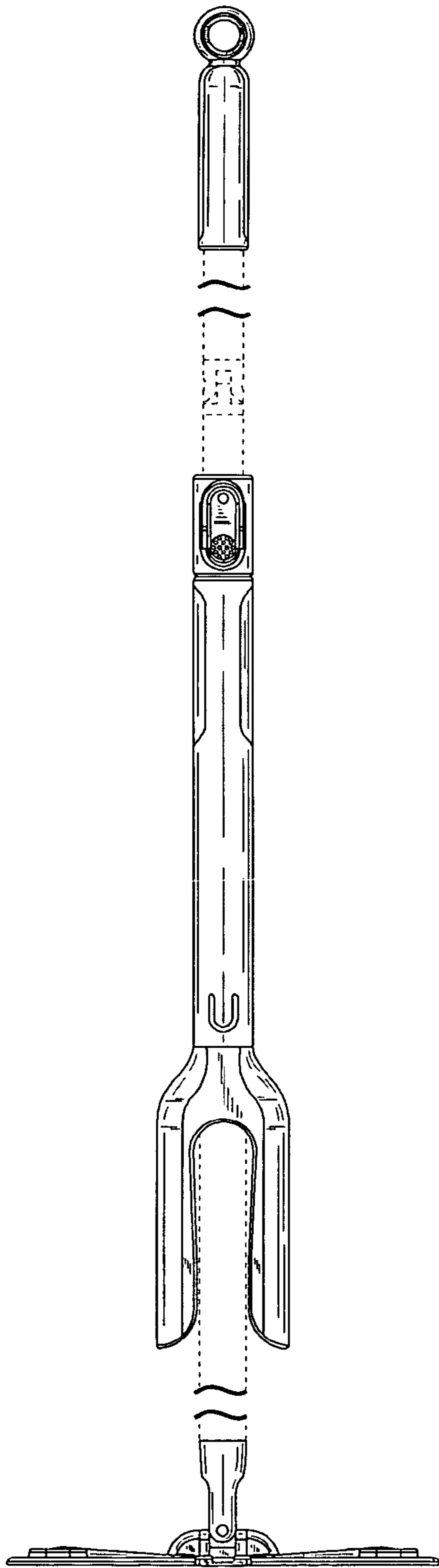


Fig. 2

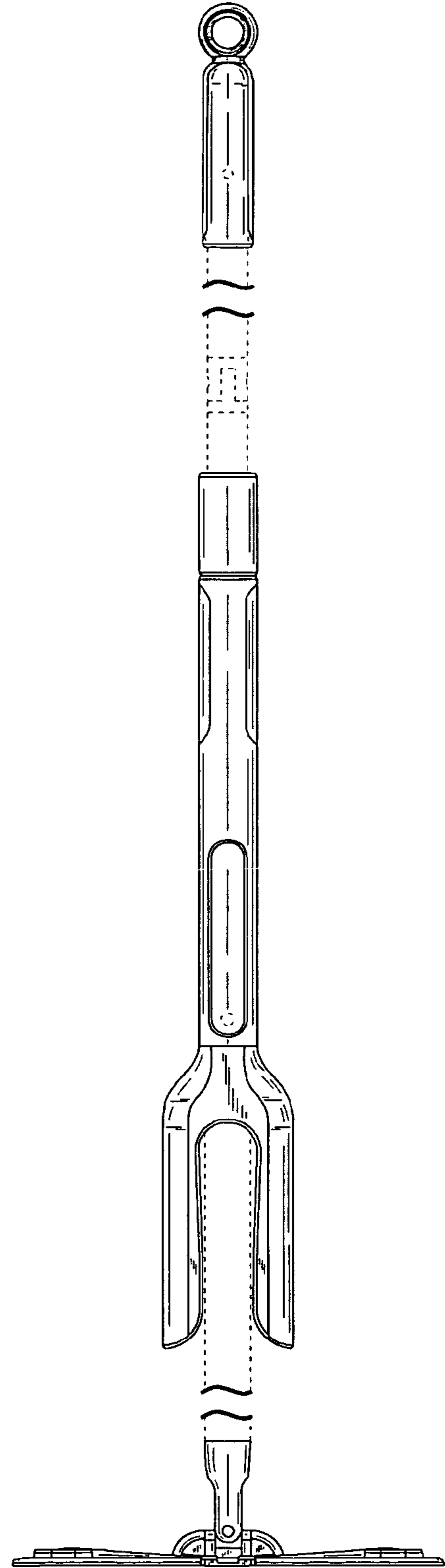


Fig. 3

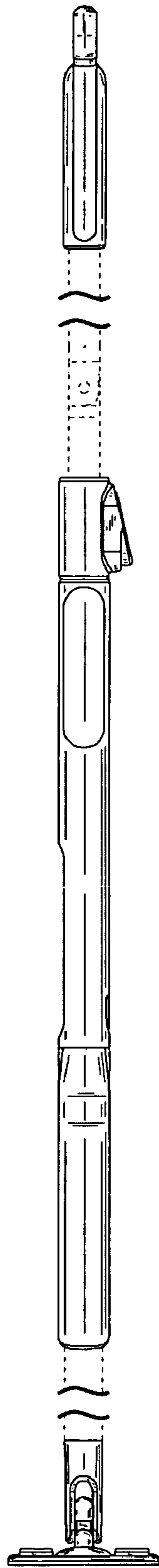


Fig. 4

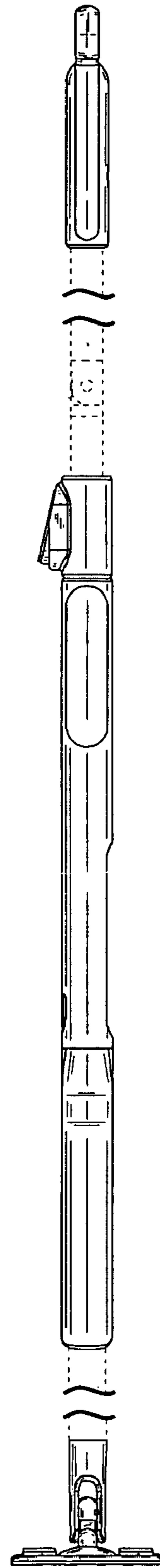


Fig. 5

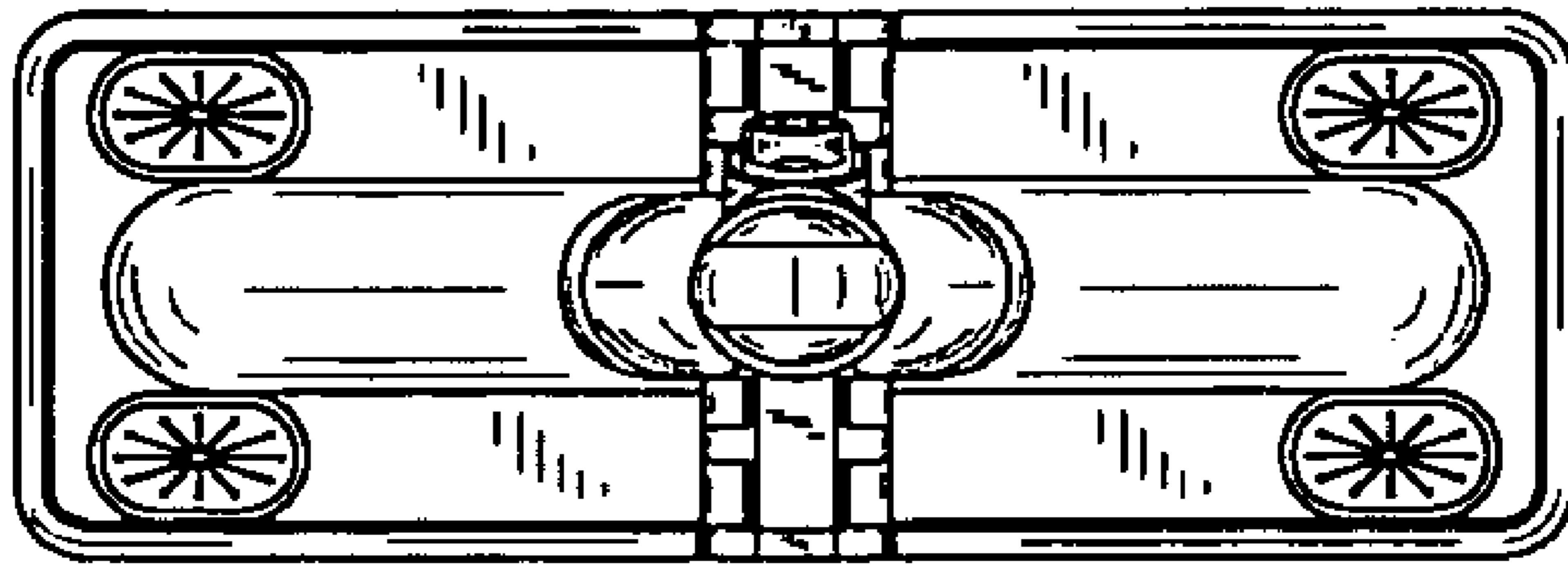


Fig. 6