



US00D597717S

(12) **United States Design Patent**
Rosenzweig et al.

(10) **Patent No.:** **US D597,717 S**

(45) **Date of Patent:** **** Aug. 4, 2009**

(54) **STEAM MOP**

(75) Inventors: **Maximilian Rosenzweig**, Montreal (CA); **Ognjen Vrdoljak**, Laval (CA); **James Russell Varney**, Maynard, MA (US); **John Arthur MacNeill**, Acton, MA (US); **Bryan Robert Hotaling**, Harvard, MA (US)

(73) Assignee: **Euro-Pro Operating, LLC**, West Newton, MA (US)

(**) Term: **14 Years**

(21) Appl. No.: **29/318,646**

(22) Filed: **May 23, 2008**

(51) **LOC (9) Cl.** **15-05**

(52) **U.S. Cl.** **D32/45**

(58) **Field of Classification Search** D32/38-39, D32/51-52, 40, 42, 45, 22; 15/320-322; 134/105, 108, 190, 201

See application file for complete search history.

(56) **References Cited**

U.S. PATENT DOCUMENTS

D296,486 S * 6/1988 Staubitz et al. D32/22
D398,099 S * 9/1998 Leung D32/22

6,045,622 A * 4/2000 Holt et al. 134/6
6,588,045 B2 * 7/2003 Fernandez 15/119.2
6,601,261 B1 * 8/2003 Holt et al. 15/228
6,871,372 B2 * 3/2005 Vosbikian et al. 15/115
D510,467 S * 10/2005 Kizaki et al. D32/38
6,979,371 B1 * 12/2005 Policicchio et al. 134/6

* cited by examiner

Primary Examiner—Pamela J Burgess

(74) *Attorney, Agent, or Firm*—McCarter & English, LLP; Michael I. Wolfson

(57) **CLAIM**

The ornamental design for a steam mop, as shown and described.

DESCRIPTION

FIG. 1 is a top, front and right side perspective view of a steam mop showing our new design;

FIG. 2 is a front elevational view thereof;

FIG. 3 is a right side elevational view thereof;

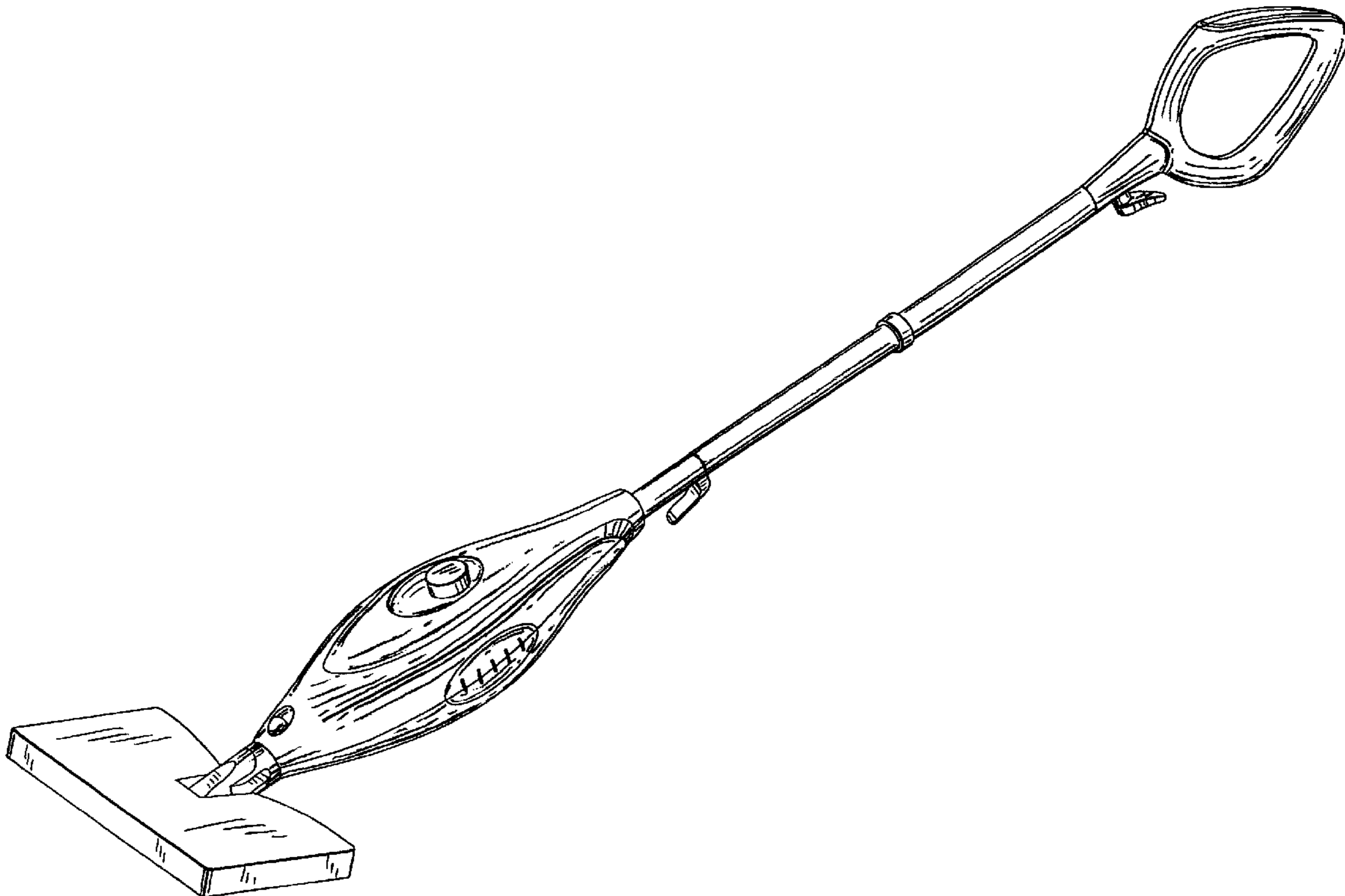
FIG. 4 is a rear left side elevational view thereof;

FIG. 5 is a top plan view thereof;

FIG. 6 is a bottom plan view thereof; and,

FIG. 7 is a rear elevational view thereof.

1 Claim, 6 Drawing Sheets



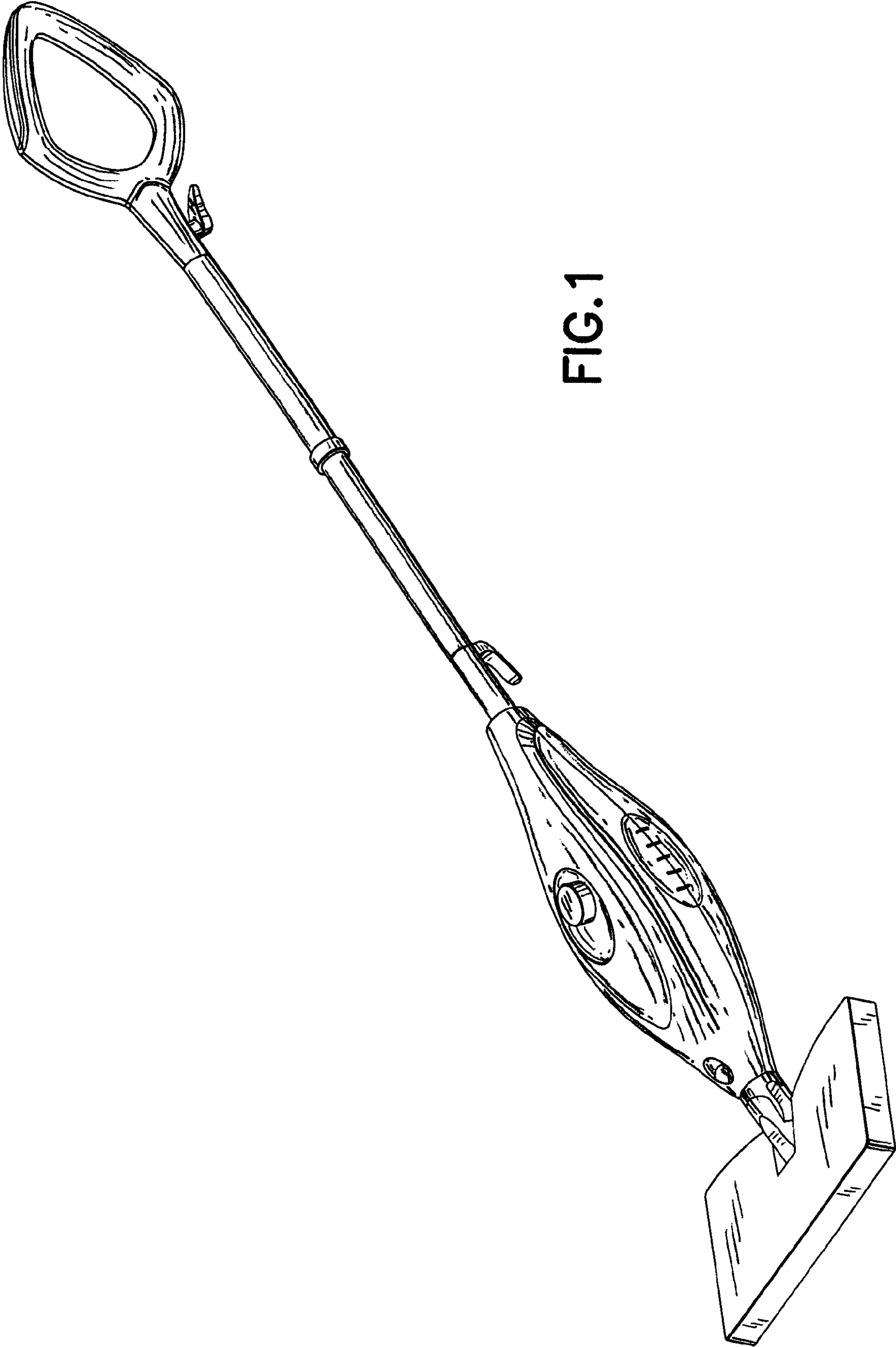


FIG.1

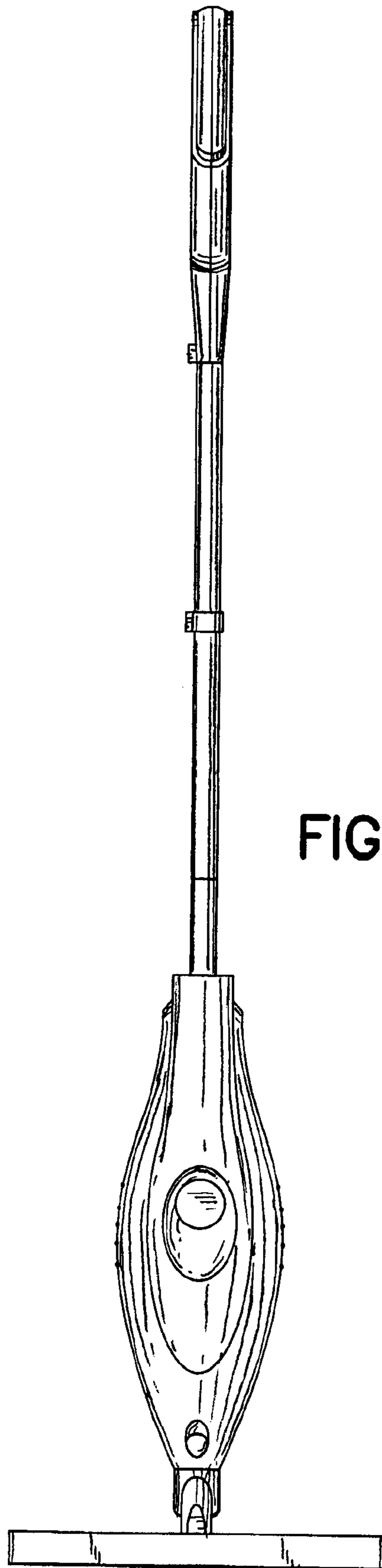


FIG.2

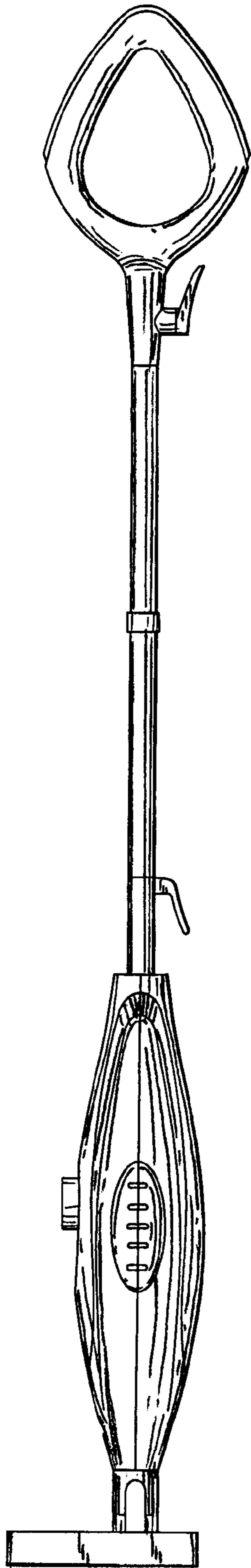


FIG.3

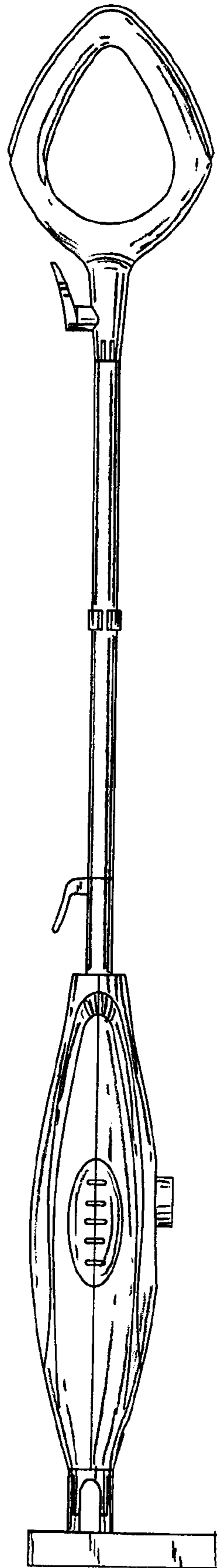


FIG.4

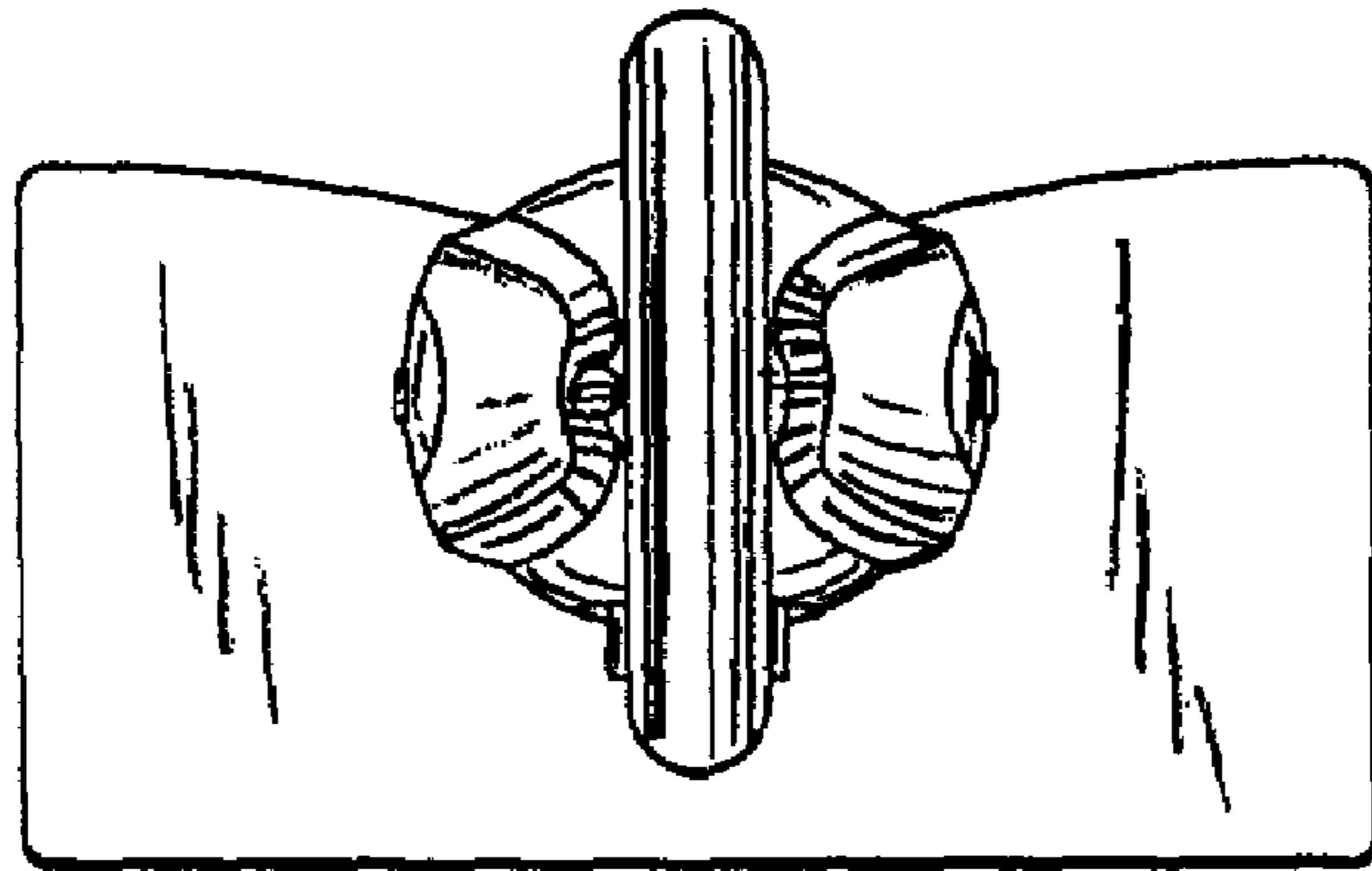


FIG. 5

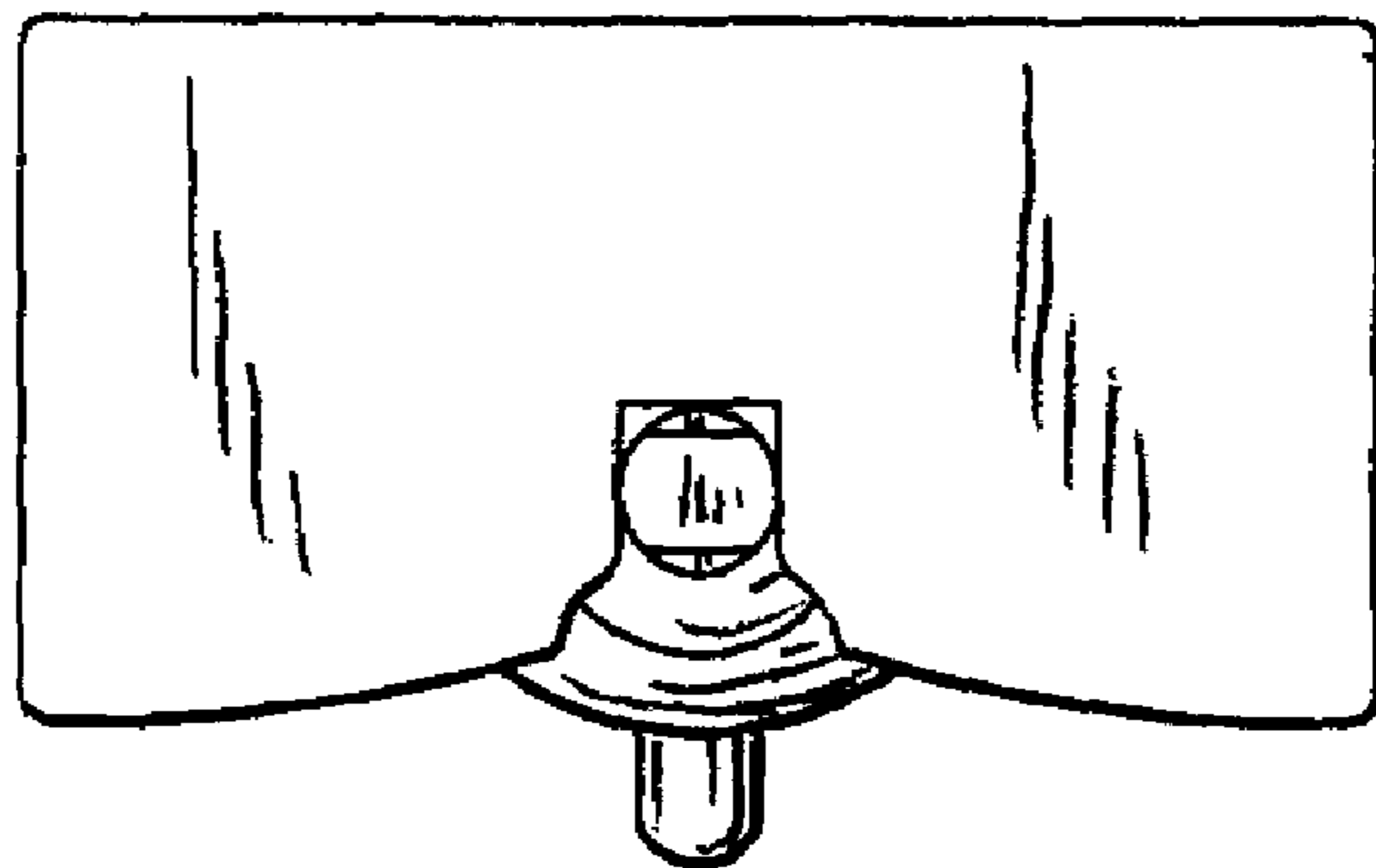


FIG. 6

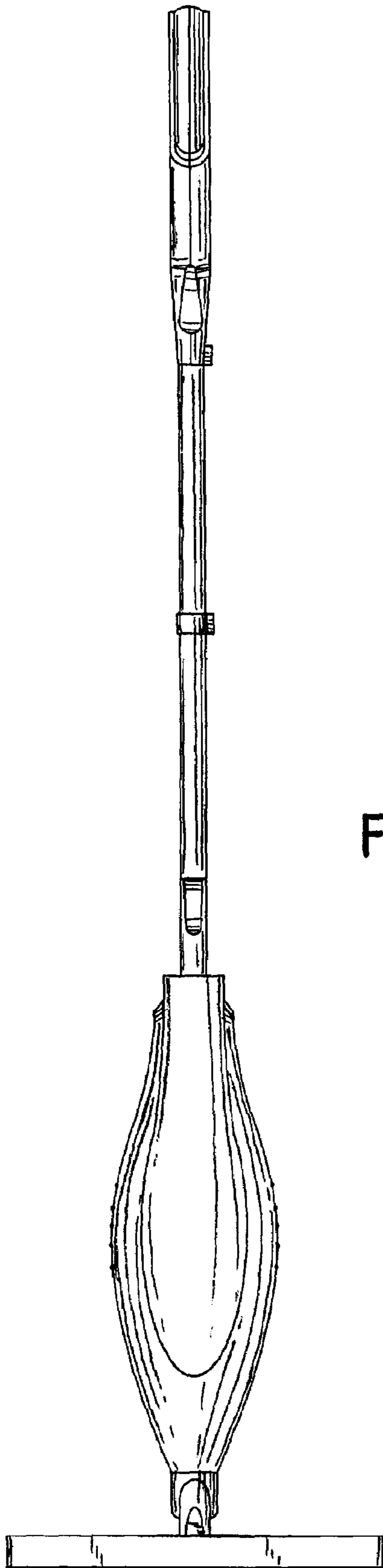


FIG.7