



US00D597715S

(12) **United States Design Patent**
Barker

(10) **Patent No.:** **US D597,715 S**

(45) **Date of Patent:** **** Aug. 4, 2009**

(54) **NOZZLE ATTACHMENT FOR A BLOWER VACUUM DEVICE**

(75) Inventor: **David Barker**, Prudhoe (GB)

(73) Assignee: **Black & Decker Inc.**, Newark, DE (US)

(**) Term: **14 Years**

(21) Appl. No.: **29/294,554**

(22) Filed: **Jan. 17, 2008**

(30) **Foreign Application Priority Data**

Jul. 26, 2007 (EM) 000764287

(51) **LOC (9) Cl.** **15-05**

(52) **U.S. Cl.** **D32/31**

(58) **Field of Classification Search** D32/31-33,
D32/22, 25; 15/354, 364, 366, 379, 383,
15/398, 412, 414, 415.1-422, 422.1, 350-351,
15/362, 321-322, 400, 410, 405; 285/7;
16/110.1

See application file for complete search history.

(56) **References Cited**

U.S. PATENT DOCUMENTS

D264,011 S * 4/1982 Genoa D32/31
D314,848 S * 2/1991 Foldes D32/31
5,535,479 A * 7/1996 Pink et al. 15/410

5,689,852 A * 11/1997 Svoboda et al. 15/405
5,950,276 A * 9/1999 Everts et al. 15/405
6,003,199 A * 12/1999 Shaffer 15/405
6,702,332 B2 * 3/2004 Young et al. 285/7
D532,947 S * 11/2006 Muscarella D32/25
2002/0108211 A1 * 8/2002 Svoboda 15/405
2004/0143931 A1 * 7/2004 Dennis 15/414
2008/0313849 A1 * 12/2008 Lee 15/415.1

* cited by examiner

Primary Examiner—Ruth McInroy

(74) *Attorney, Agent, or Firm*—John Yun; Bruce S. Shapiro; Wesley Muller

(57) **CLAIM**

The ornamental design for a nozzle attachment for a blower vacuum device, as shown and described.

DESCRIPTION

FIG. 1 is a front view of a nozzle attachment for a blower vacuum device showing my new design.

FIG. 2 is a top plan view thereof;

FIG. 3 is a side elevation view thereof;

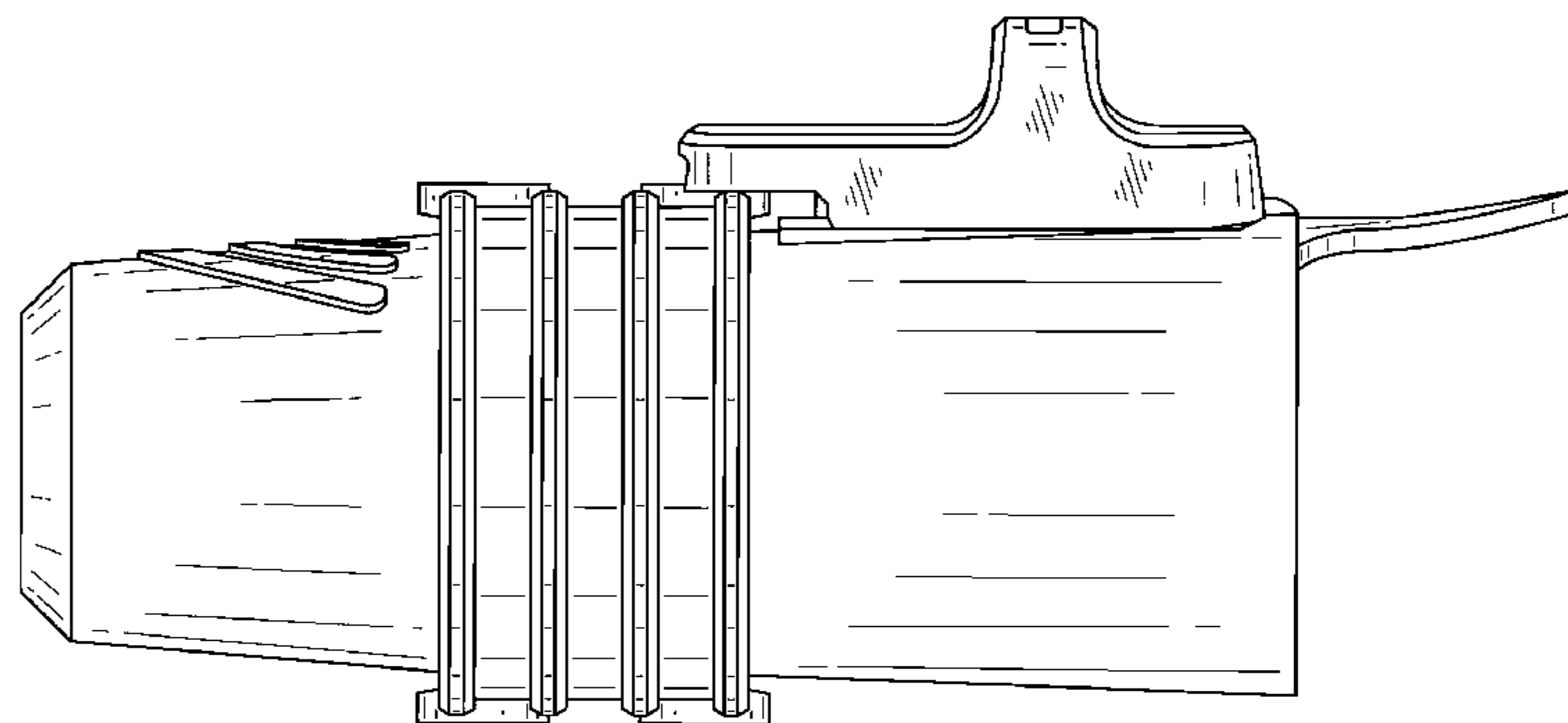
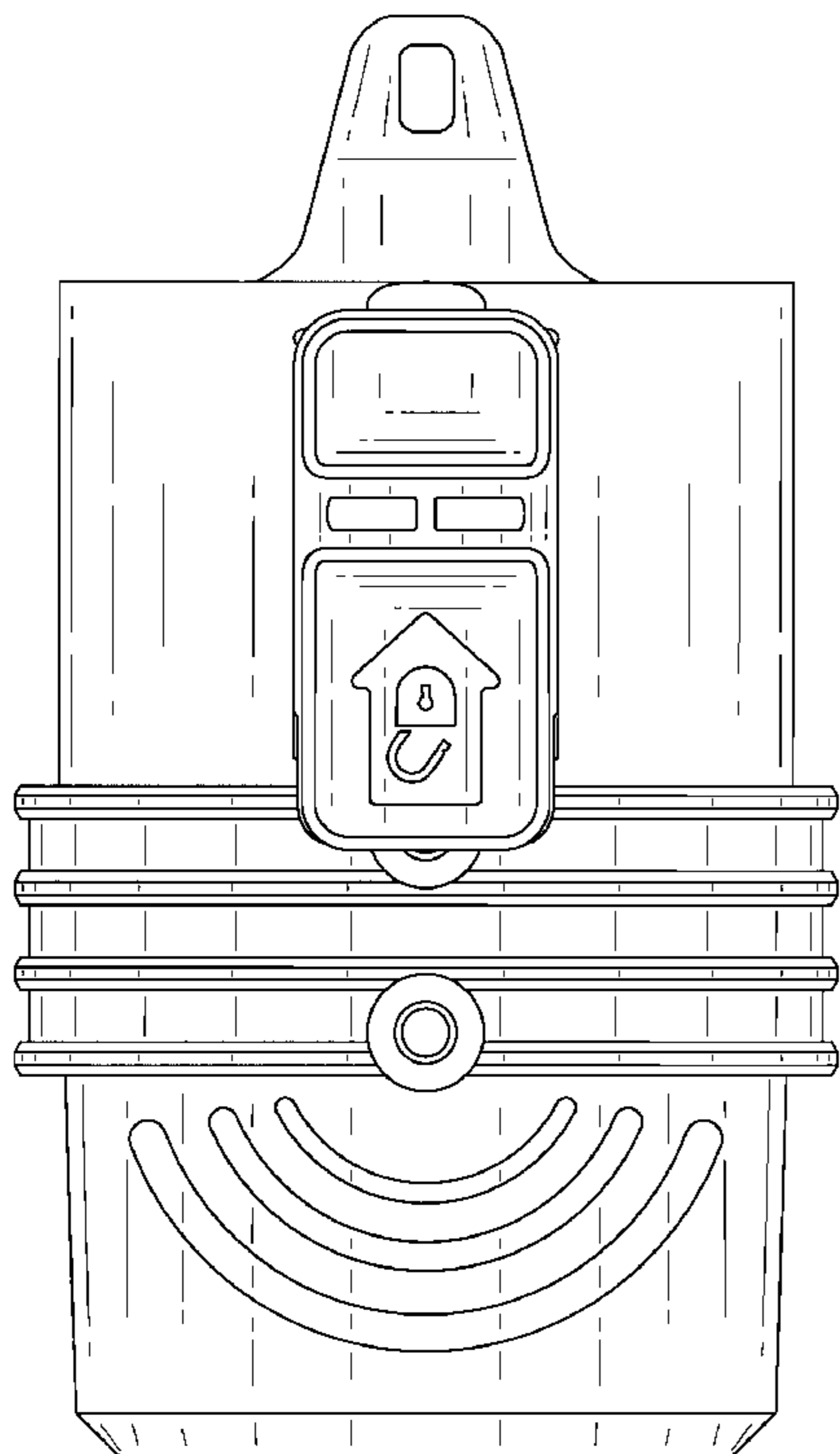
FIG. 4 is a rear elevation view thereof;

FIG. 5 is a bottom plan view thereof;

FIG. 6 is a top perspective view thereof; and,

FIG. 7 is a bottom perspective view thereof.

1 Claim, 7 Drawing Sheets



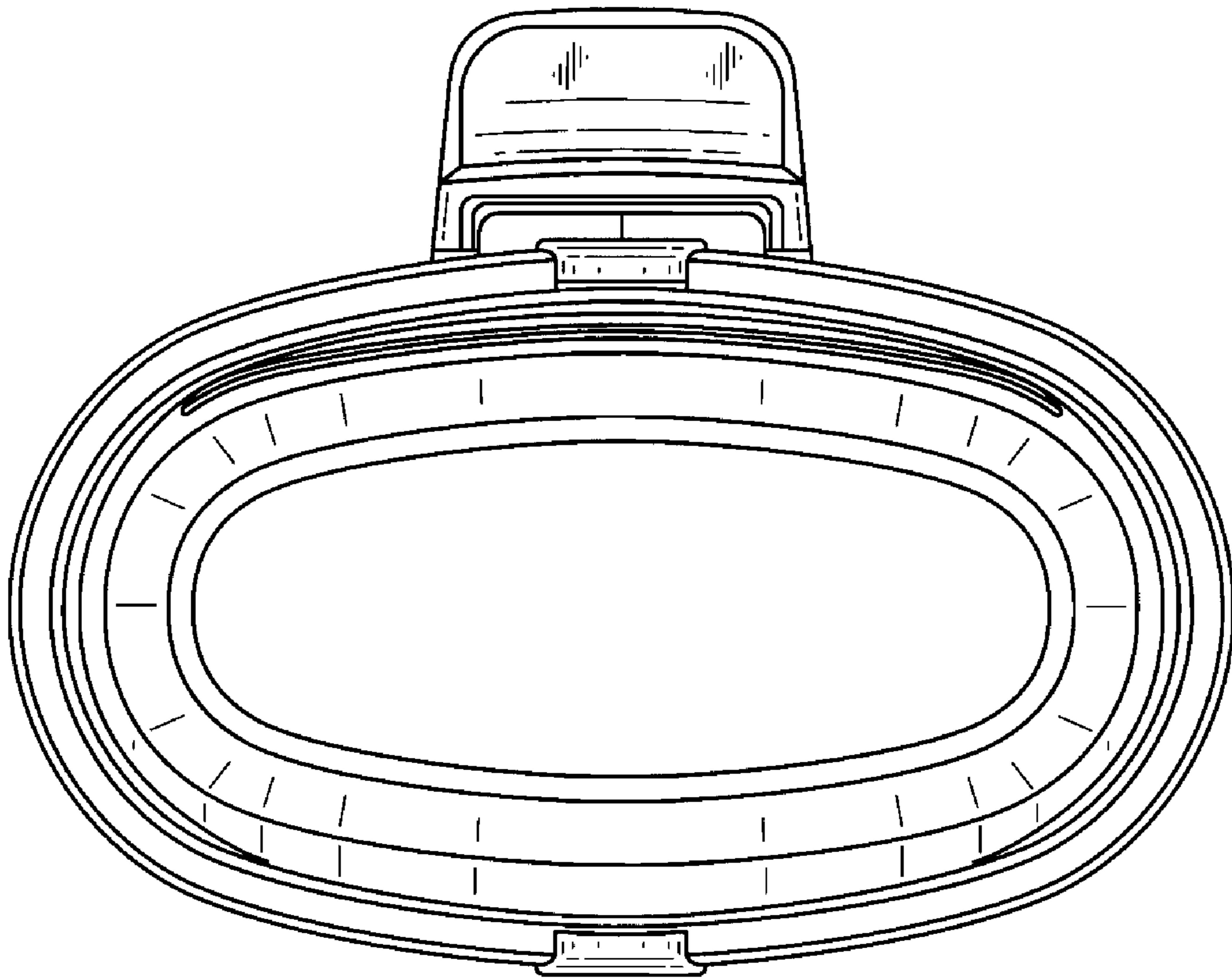


FIG. 1

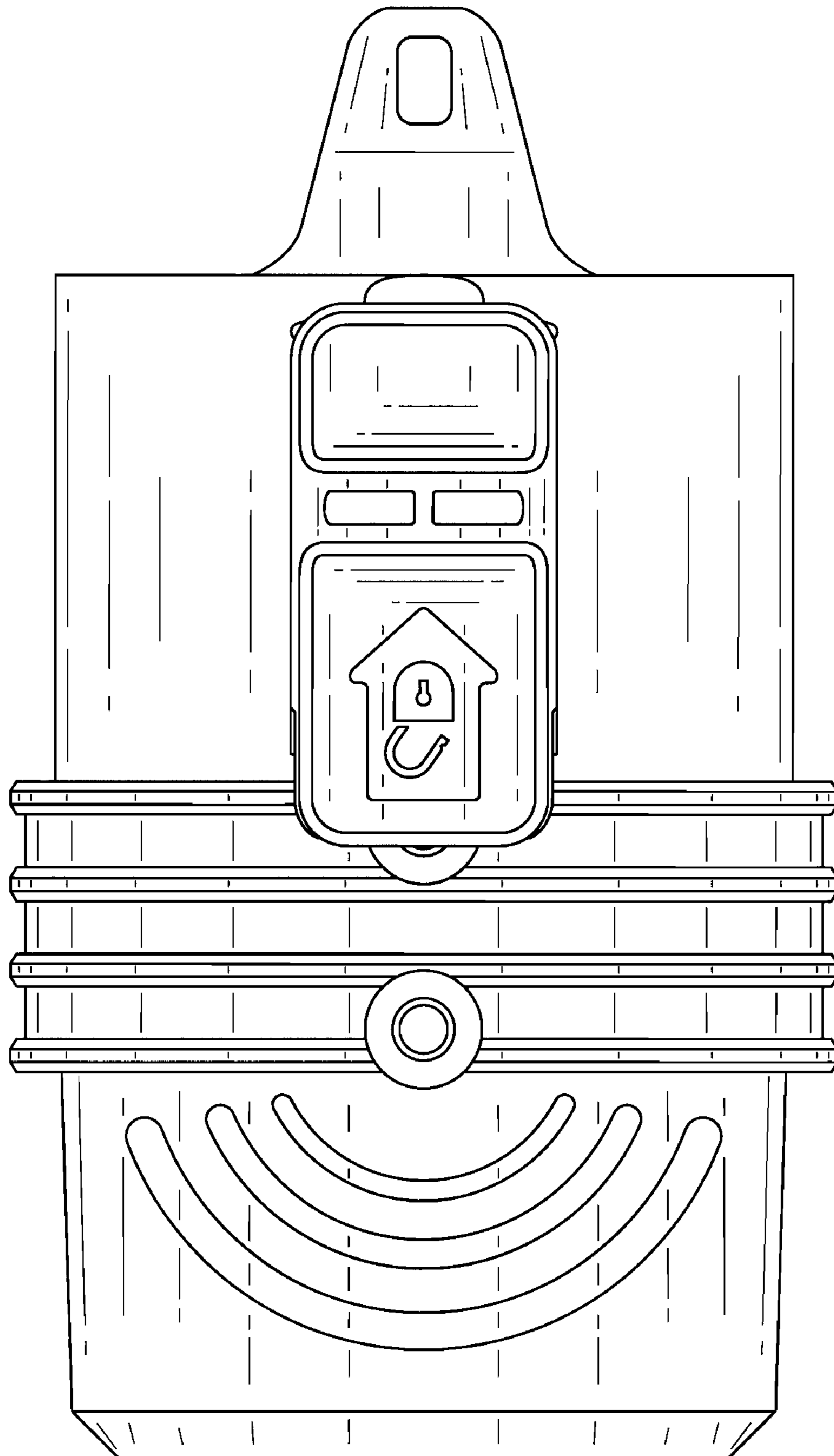


FIG. 2

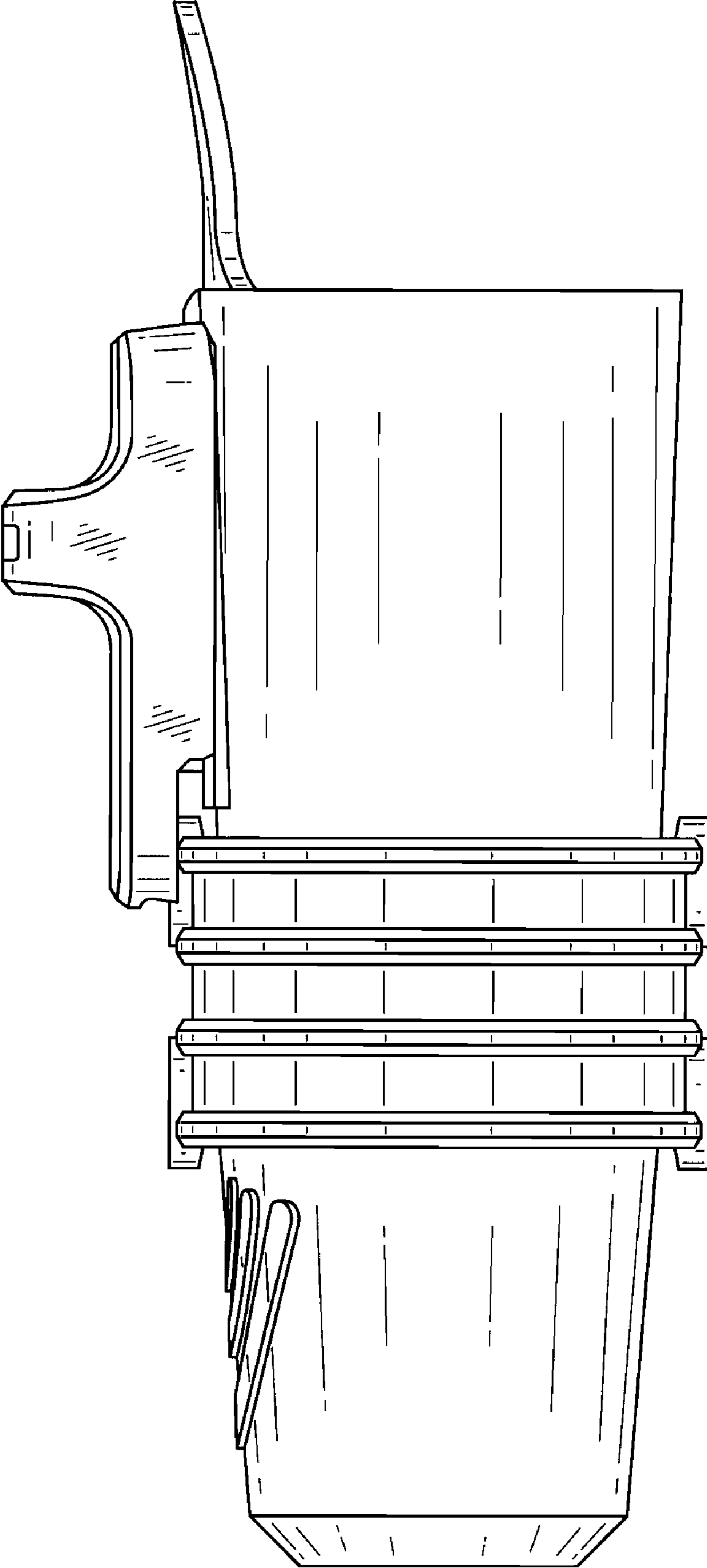


FIG. 3

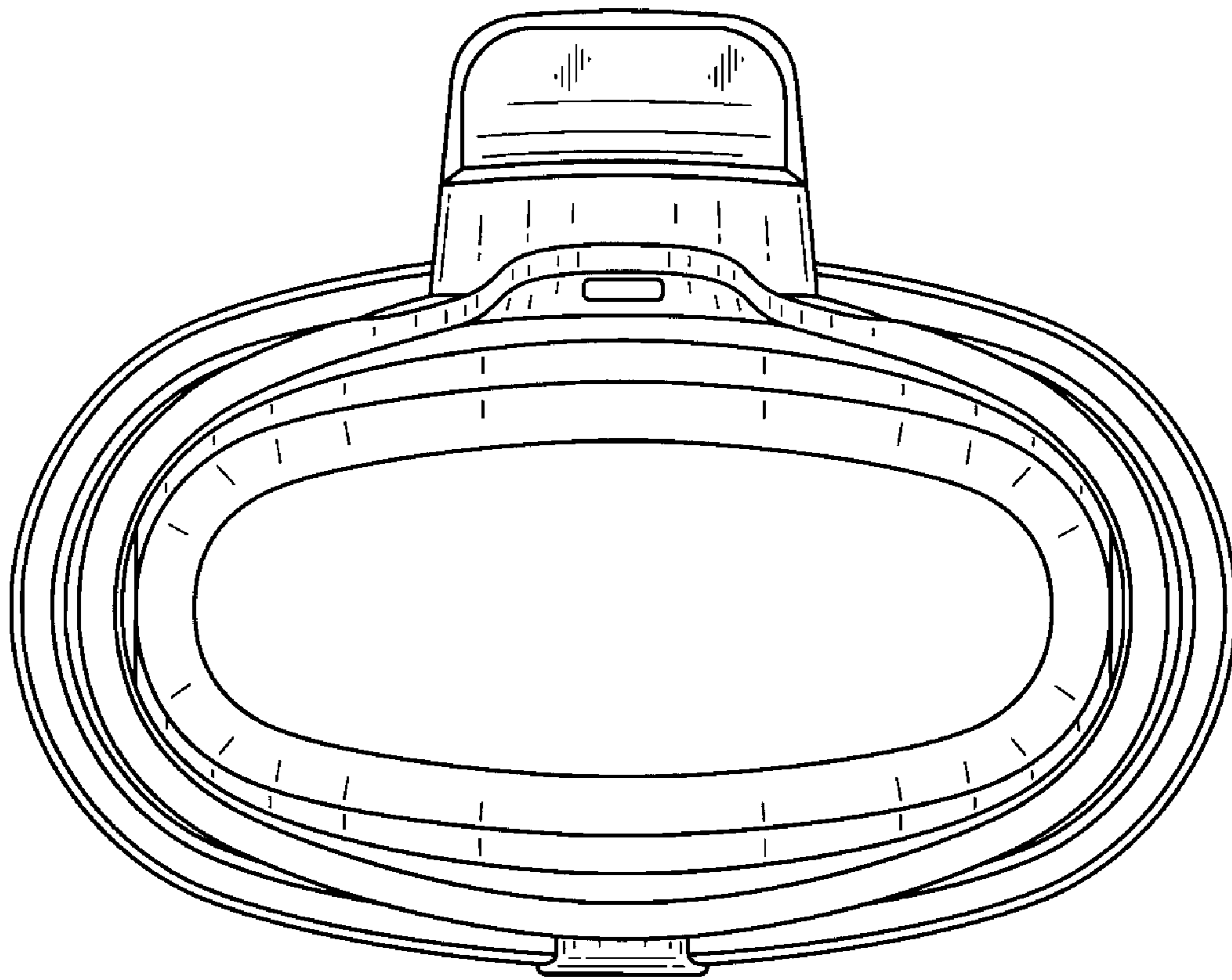


FIG. 4

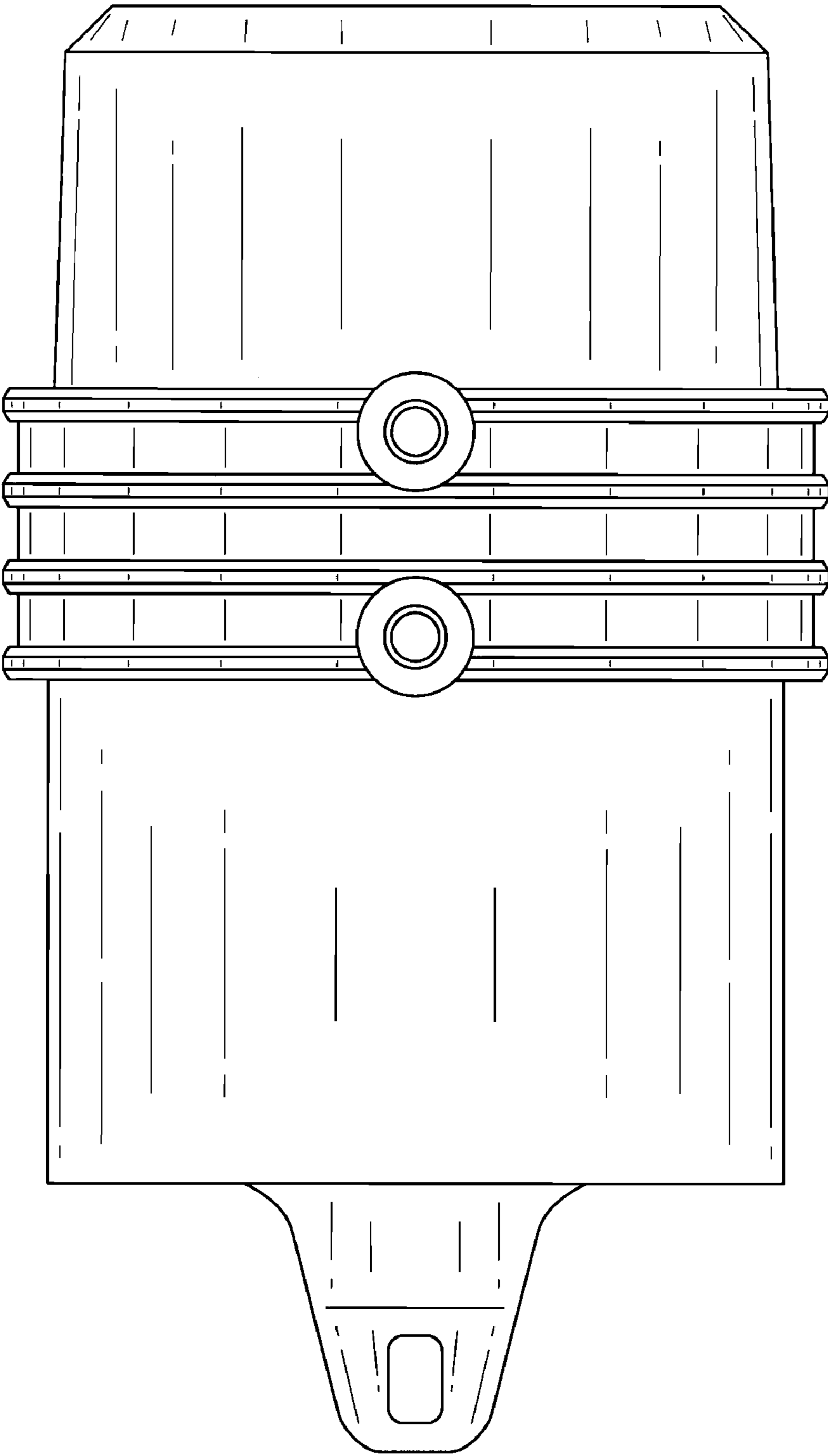


FIG. 5

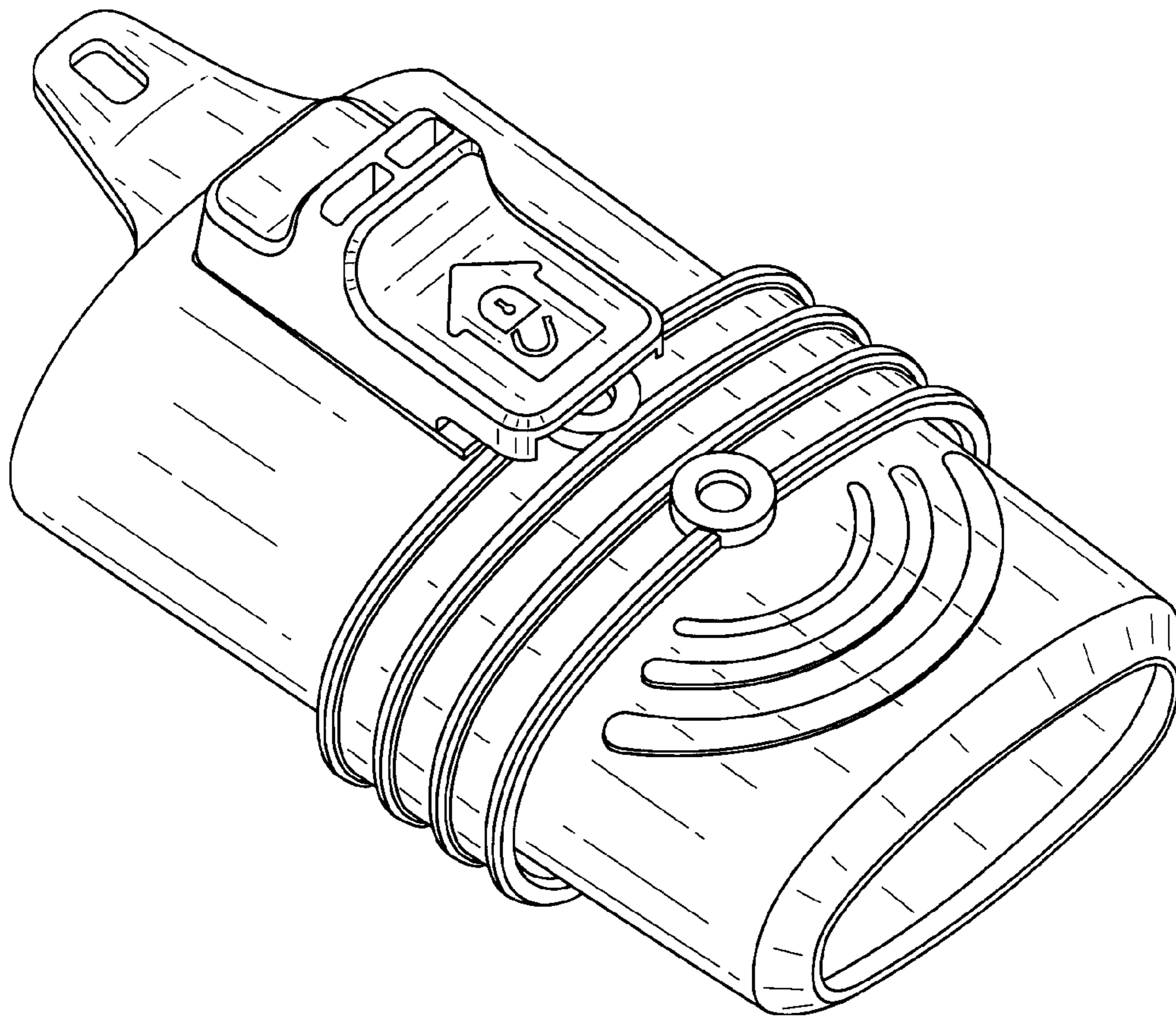


FIG. 6

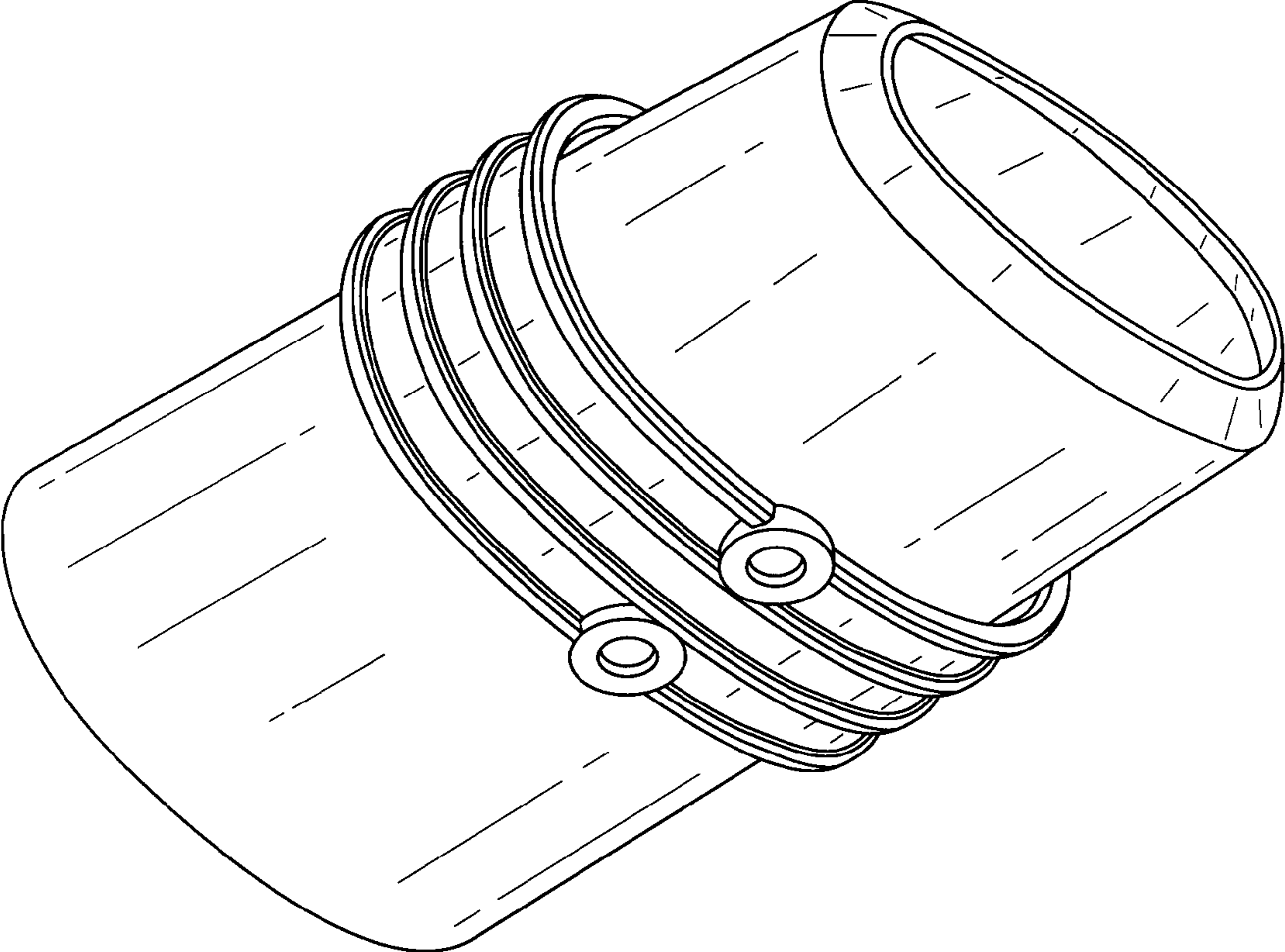


FIG. 7