



US00D597714S

(12) **United States Design Patent**  
**Sajakorpi et al.**

(10) **Patent No.:** **US D597,714 S**

(45) **Date of Patent:** **\*\* Aug. 4, 2009**

(54) **BRUSH TUFT FOR GUTTER BROOM**

(75) Inventors: **Kimmo Sajakorpi**, Tampere (FI);  
**Mauno Kirkkala**, Halli (FI)

(73) Assignee: **Sajakorpi Oy**, Tampere (FI)

(\*\*) Term: **14 Years**

(21) Appl. No.: **29/267,086**

(22) Filed: **Oct. 5, 2006**

(30) **Foreign Application Priority Data**

Apr. 10, 2006 (FI) ..... M20060080

(51) **LOC (9) Cl.** ..... **15-05**

(52) **U.S. Cl.** ..... **D32/25**

(58) **Field of Classification Search** ..... D4/102,  
D4/127, 130; 15/22.1, 23, 24–27, 179, 180,  
15/182, 183, 159.1, 160, 207.2, 191.1, 192–195,  
15/49.1, 53.1; D32/25

See application file for complete search history.

(56) **References Cited**

**U.S. PATENT DOCUMENTS**

2,789,298	A *	4/1957	Peterson	401/46
2,984,053	A *	5/1961	Peterson	451/469
2,989,766	A *	6/1961	Hoag	15/161
3,129,944	A *	4/1964	Amos et al.	473/278
3,142,854	A *	8/1964	Nielsen	15/180
3,243,832	A	4/1966	Allen et al.	
3,353,201	A *	11/1967	Horton et al.	15/180
3,758,908	A	9/1973	Maltarp	
4,236,269	A	12/1980	Block	
5,621,940	A *	4/1997	Lewis et al.	15/78
D387,564	S *	12/1997	Talbot	D4/135
5,819,357	A *	10/1998	Gould	15/182

**FOREIGN PATENT DOCUMENTS**

AT 90163 S \* 3/1985

FR 2614188 A 10/1988  
GB 708183 A 4/1954

\* cited by examiner

*Primary Examiner*—Cathron C Brooks

*Assistant Examiner*—Barbara Fox

(74) *Attorney, Agent, or Firm*—Venable LLP; Eric J. Franklin

(57) **CLAIM**

The ornamental design for brush tuft for gutter broom, as shown and described.

**DESCRIPTION**

FIG. 1 represents a perspective view of an embodiment of a brush tuft for gutter broom showing our new design;

FIG. 2 represents a front view of the embodiment of the design shown in FIG. 1;

FIG. 3 represents a rear view of the embodiment of the design shown in FIG. 1;

FIG. 4 represents a perspective view of another embodiment of a brush tuft for gutter broom showing our new design;

FIG. 5 represents a front view of the embodiment of the design shown in FIG. 4;

FIG. 6 represents a rear view of the embodiment of the design shown in FIG. 4;

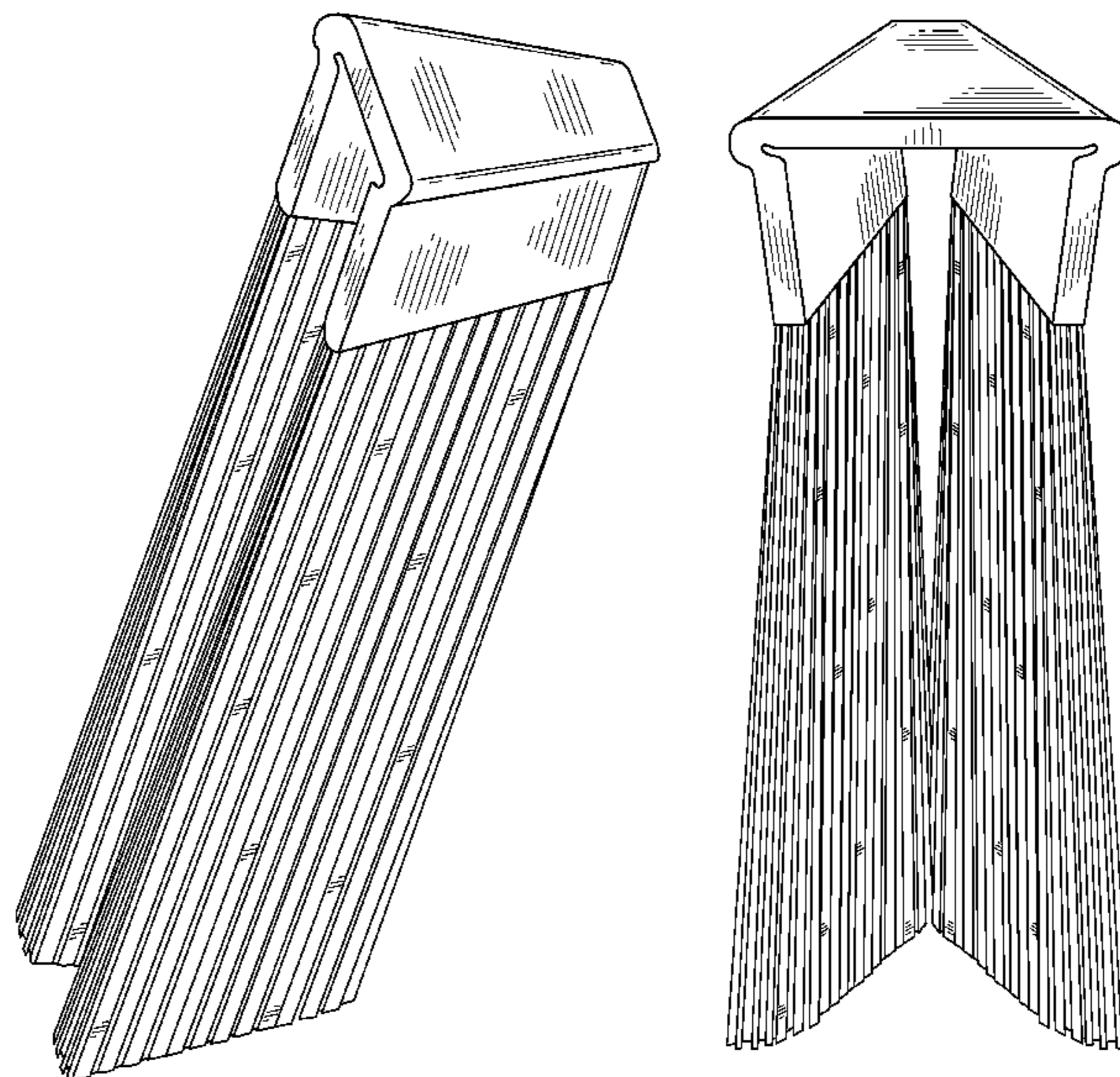
FIG. 7 represents a perspective view of an additional embodiment of a brush tuft for gutter broom showing our new design;

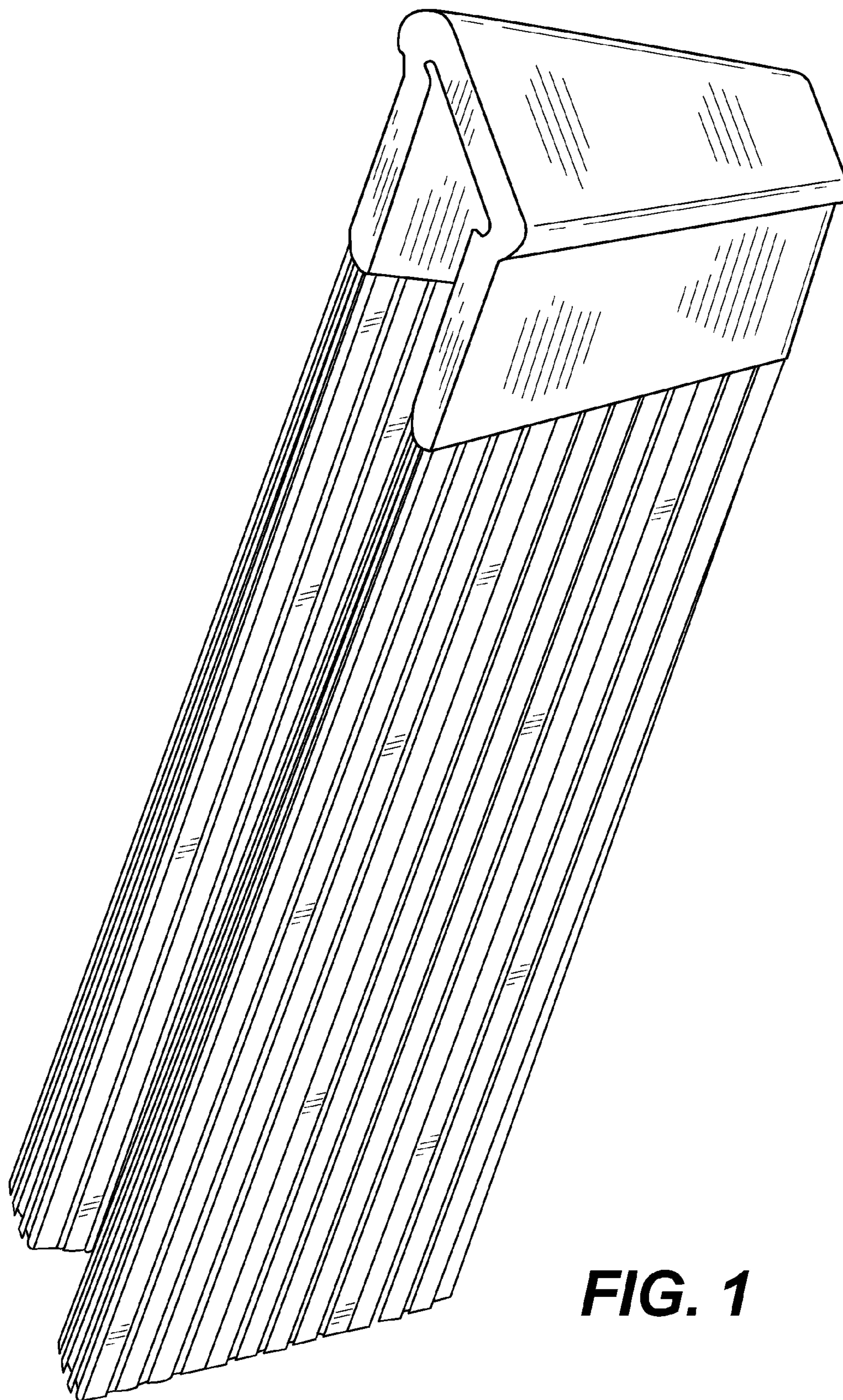
FIG. 8 represents a front view of the embodiment of the design shown in FIG. 7; and,

FIG. 9 represents a rear view of the embodiment of the design shown in FIG. 7.

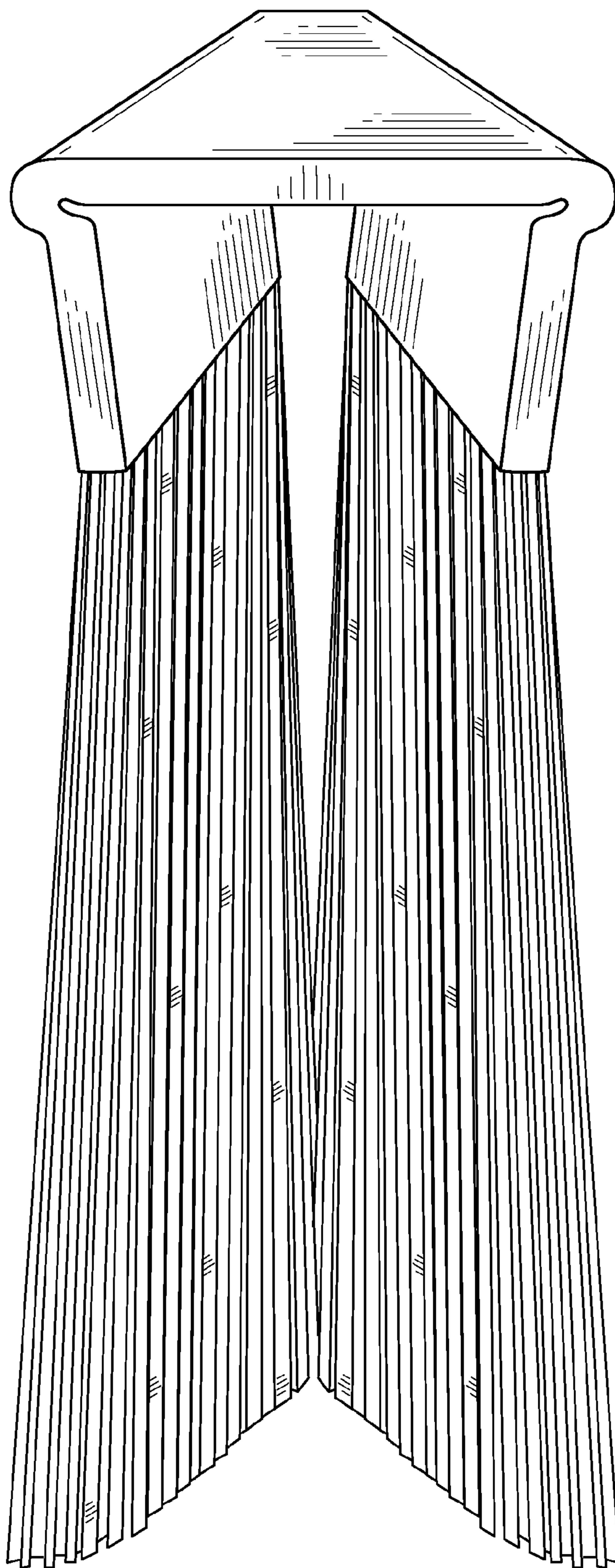
The broken lines shown in the drawings are for the purpose of illustrating portions of the brush tuft for gutter broom and form no part of the claimed design.

**1 Claim, 9 Drawing Sheets**

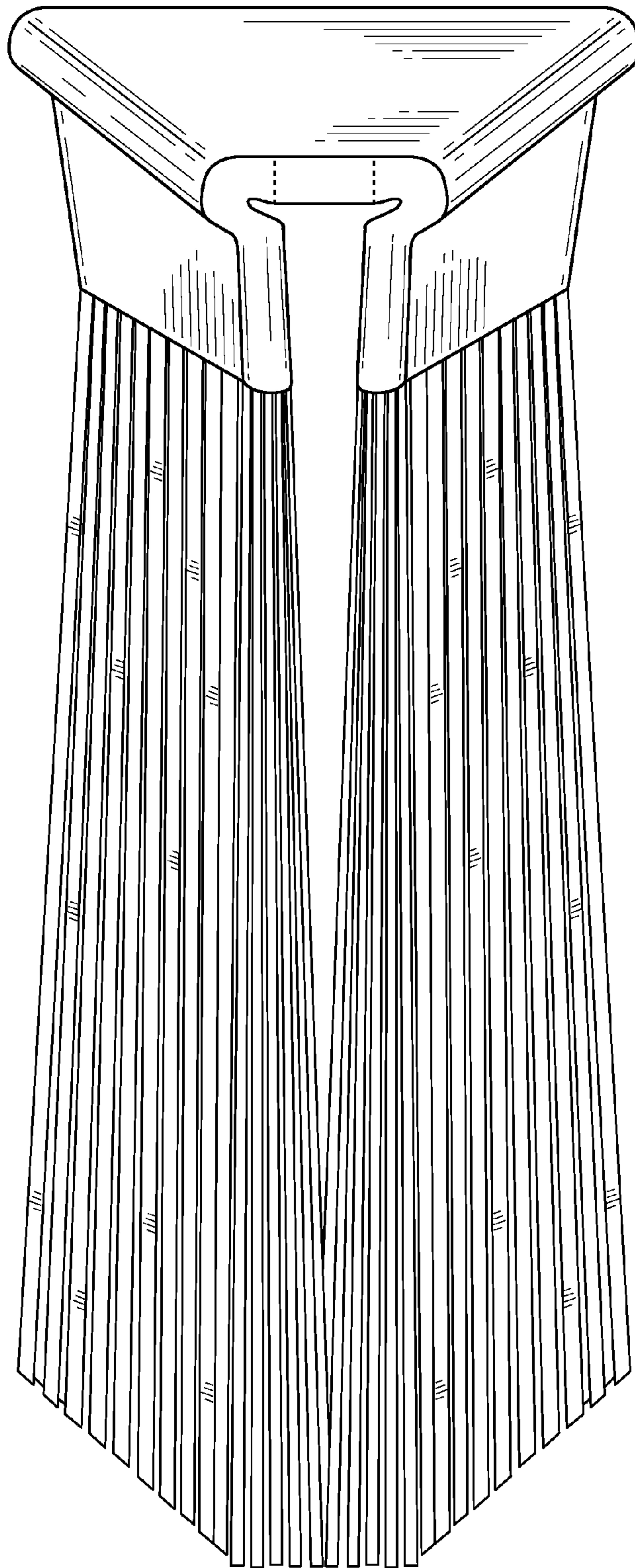




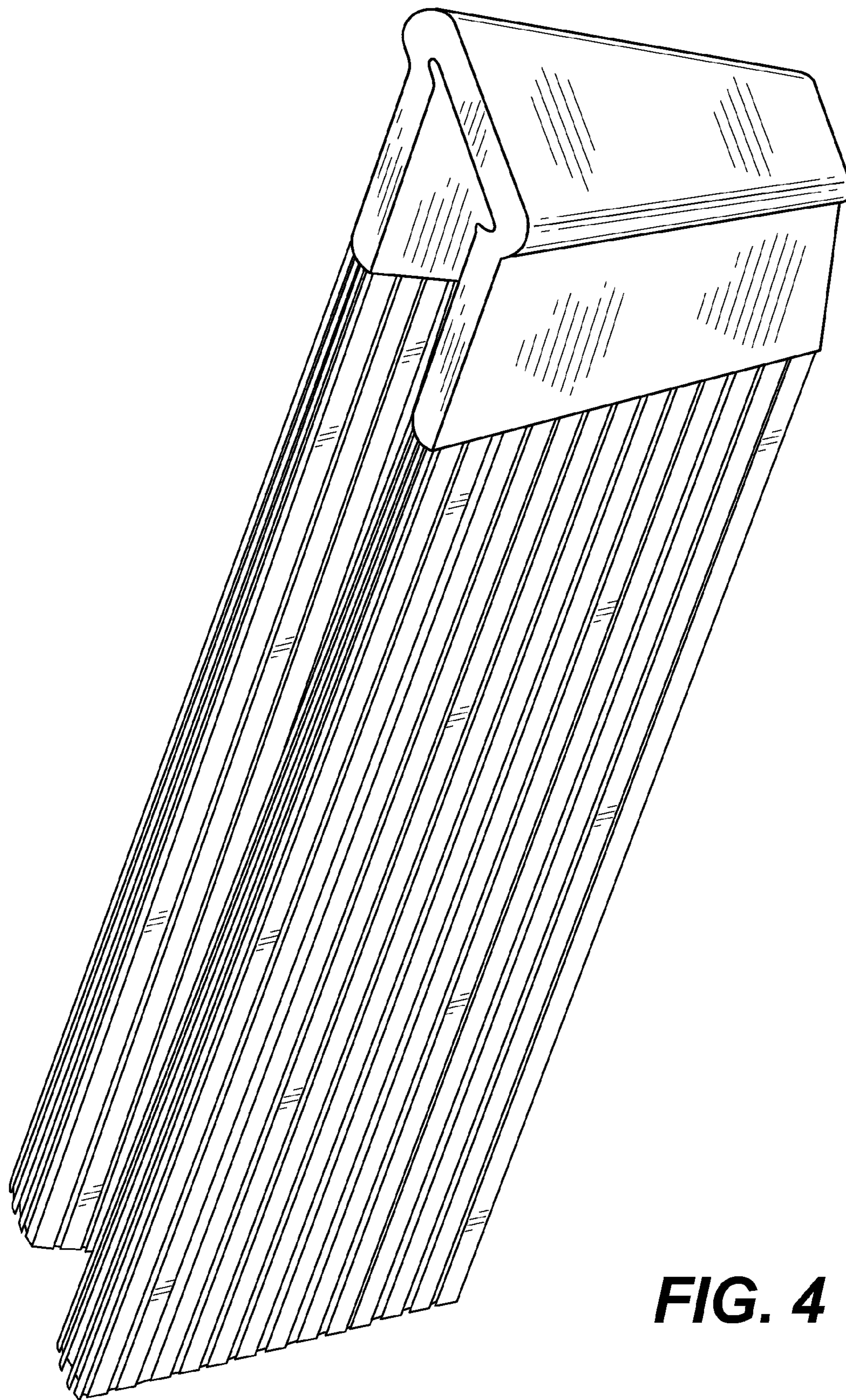
**FIG. 1**



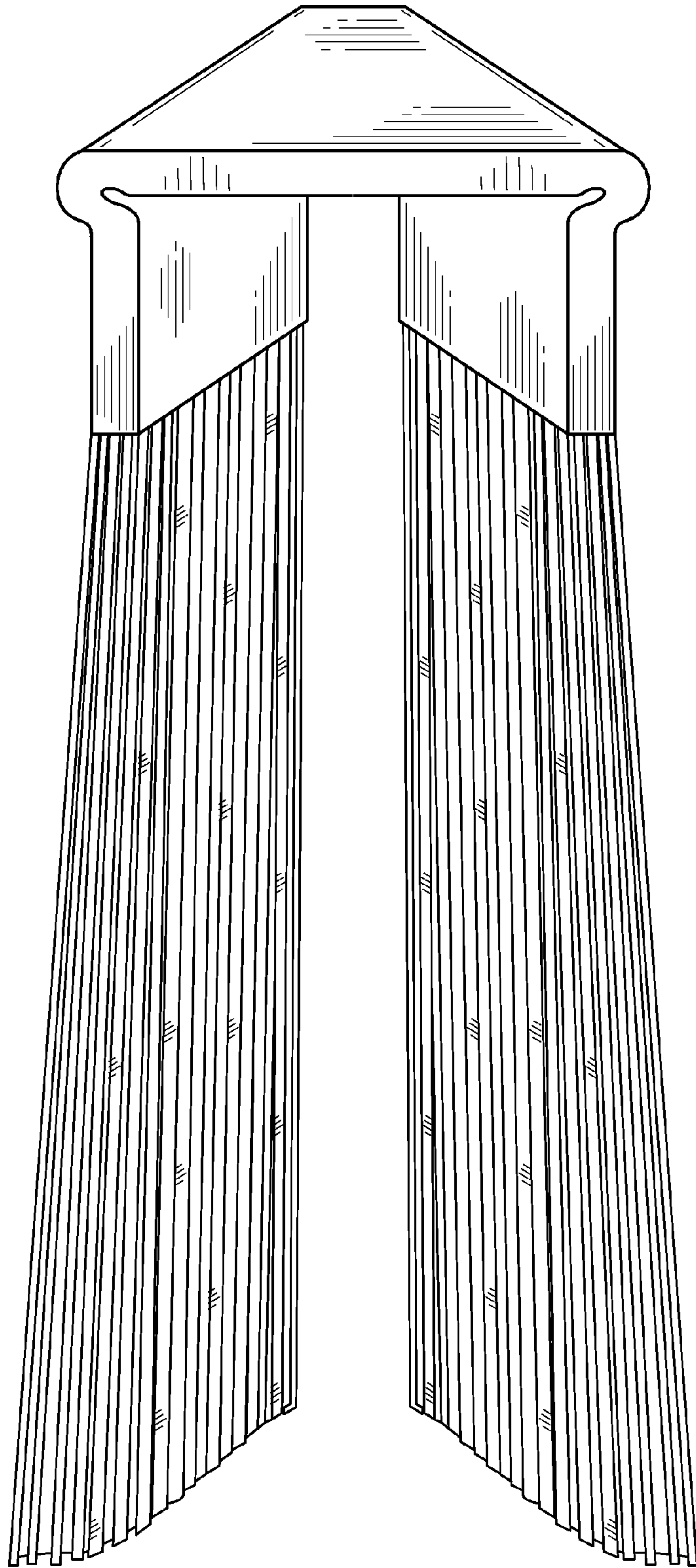
**FIG. 2**



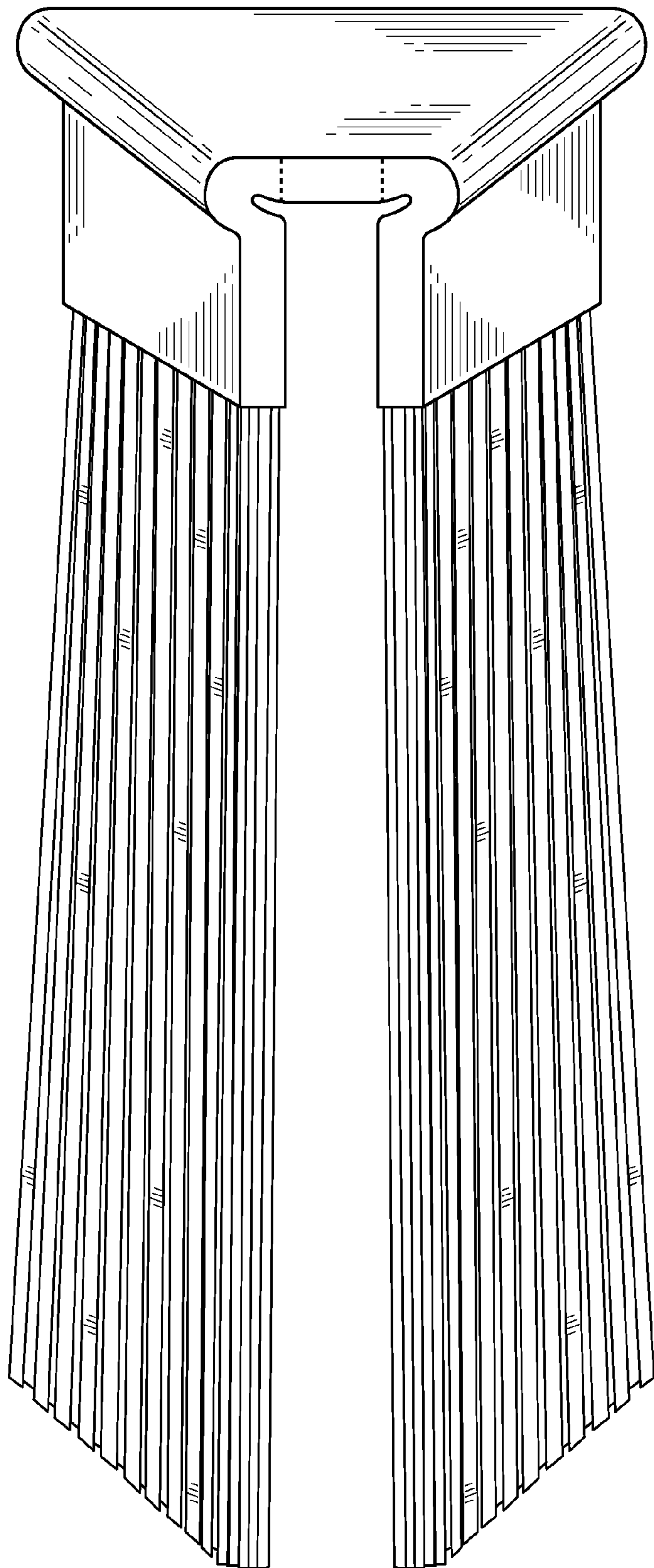
**FIG. 3**



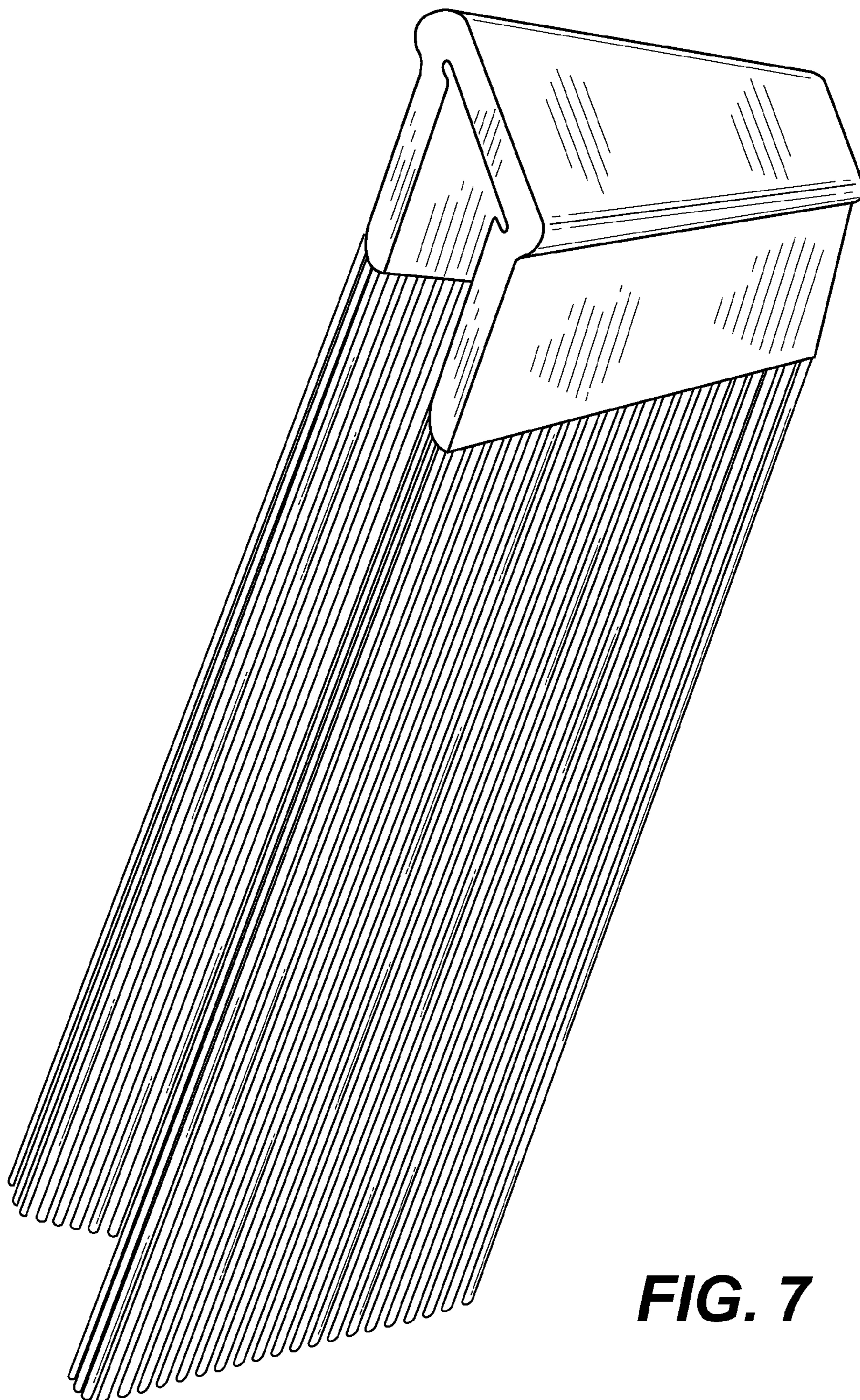
**FIG. 4**



**FIG. 5**

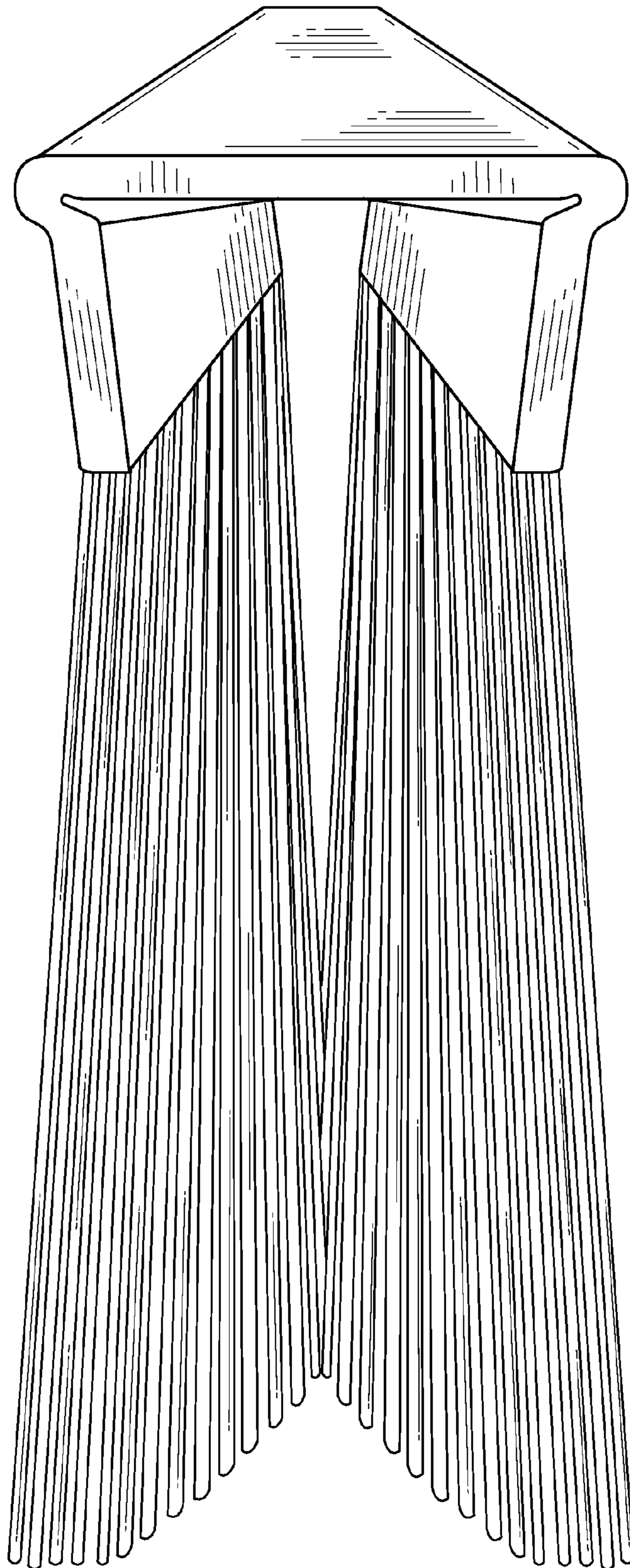


**FIG. 6**

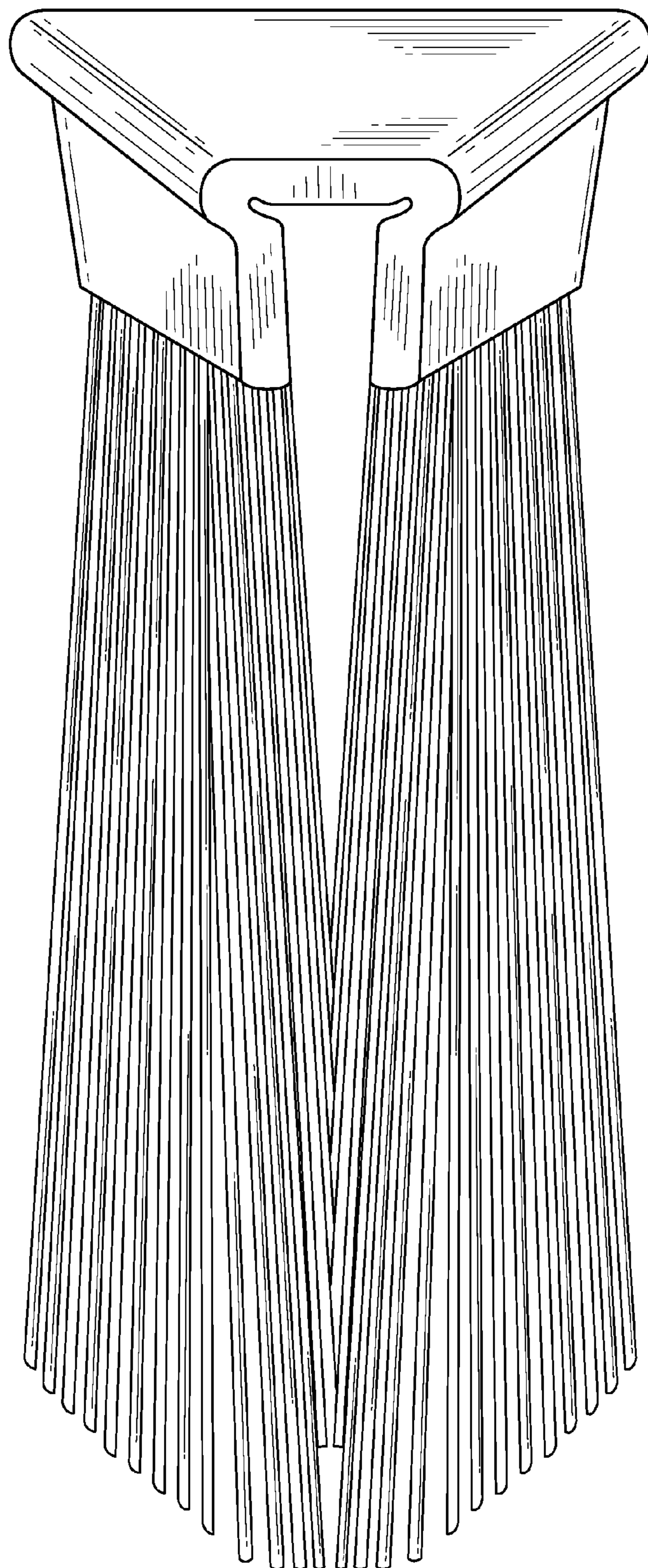


**FIG. 7**





**FIG. 8**



**FIG. 9**